



US00D413366S

United States Patent [19]

Husted et al.

[11] Patent Number: Des. 413,366

[45] Date of Patent: ** Aug. 31, 1999

[54] SIMULATED WALKING DEVICE

[75] Inventors: Royce H. Husted, R.R. 4, Box 550, Forest, Va. 24551; Joel P. Husted, Forest, Va.

[73] Assignee: Royce H. Husted, Forest, Va.

[**] Term: 14 Years

[21] Appl. No.: 29/091,860

[22] Filed: Aug. 7, 1998

[51] LOC (6) Cl. 21-02

[52] U.S. Cl. D21/668; D21/669; D21/671

[58] Field of Search D21/662, 668, D21/669, 670, 671; 482/51, 52, 142

[56] References Cited

U.S. PATENT DOCUMENTS

- D. 303,557 9/1989 Kiiski D21/669
- D. 325,951 5/1992 Johnson D21/669
- D. 342,107 12/1993 Chang D21/669
- D. 355,227 2/1995 Summers et al. D21/669

- D. 369,843 5/1996 Wang et al. D21/669
- D. 372,508 8/1996 Clem D21/669
- D. 374,260 10/1996 Snyderman et al. D21/669
- 5,645,510 7/1997 Wilkinson 482/51
- 5,711,745 1/1998 Yang 482/51

Primary Examiner—Philip S. Hyder
Attorney, Agent, or Firm—Nicholas A. Camasto

[57] CLAIM

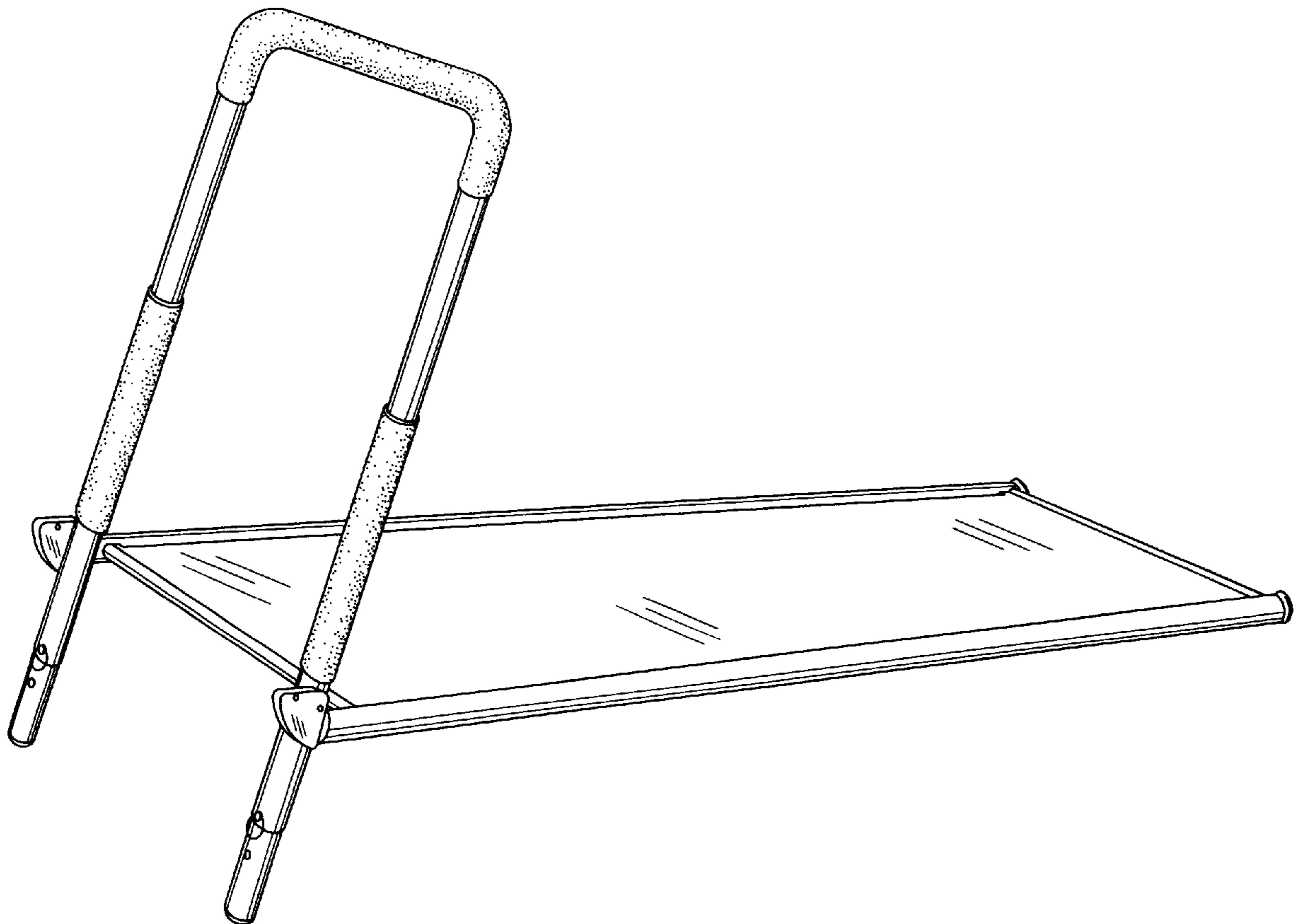
We claim the ornamental design for a simulated walking device, as shown.

DESCRIPTION

FIG. 1 is a top, front and left side perspective view of a simulated walking device showing our new design; FIG. 2 is a left side elevational view thereof; FIG. 3 is a front elevational view thereof; FIG. 4 is a top plan view thereof; FIG. 5 is a right side elevational view thereof; and, FIG. 6 is a rear elevational view thereof.

The appearance of the bottom forms no part of the claimed design.

1 Claim, 3 Drawing Sheets



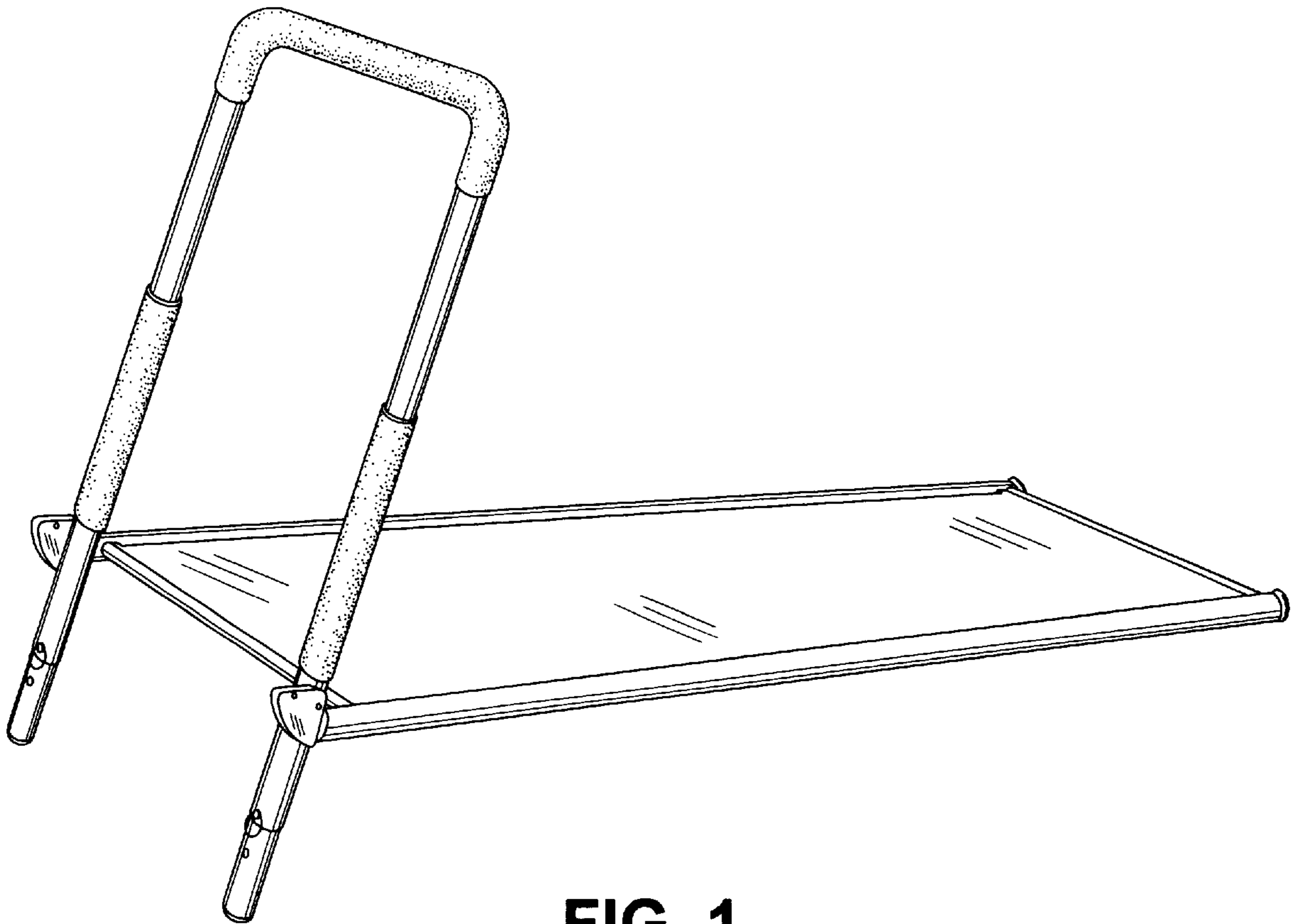


FIG. 1

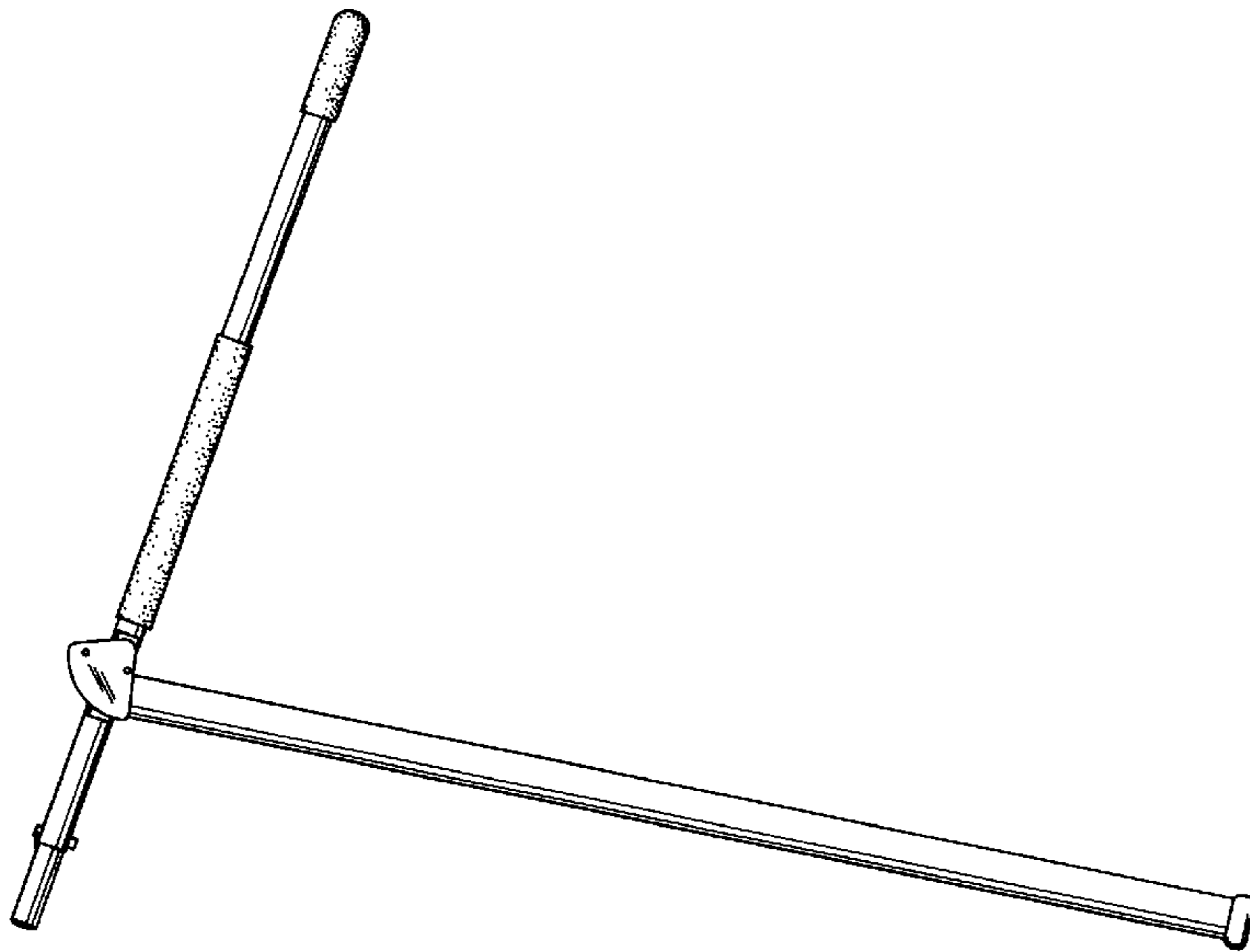


FIG. 2

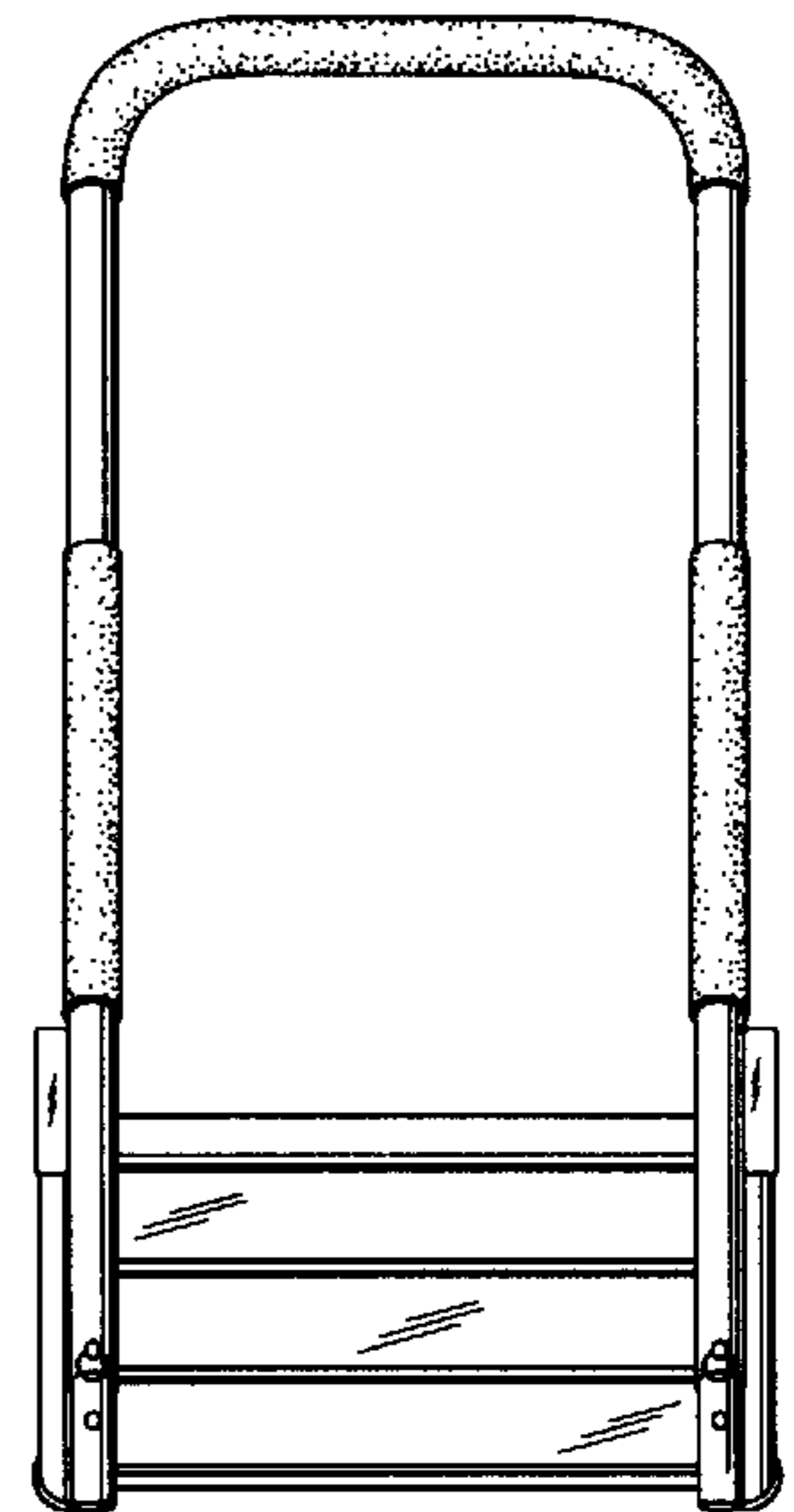


FIG. 3

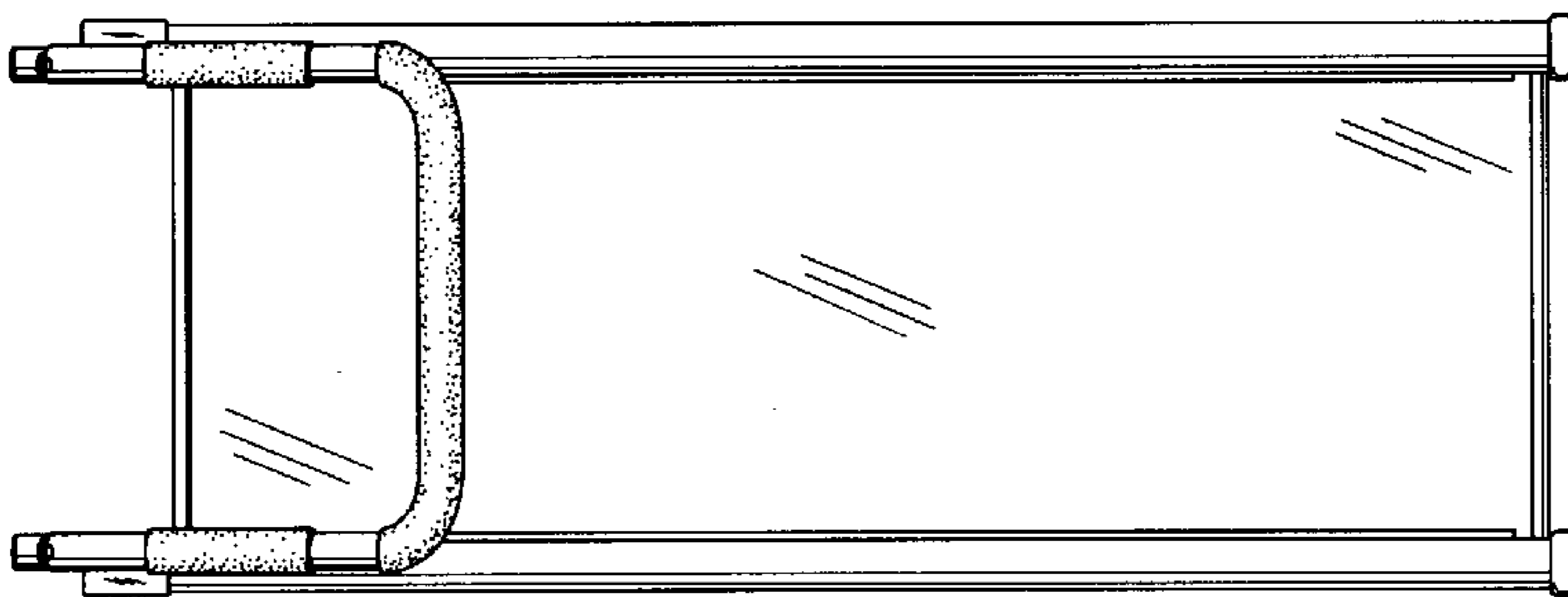


FIG. 4

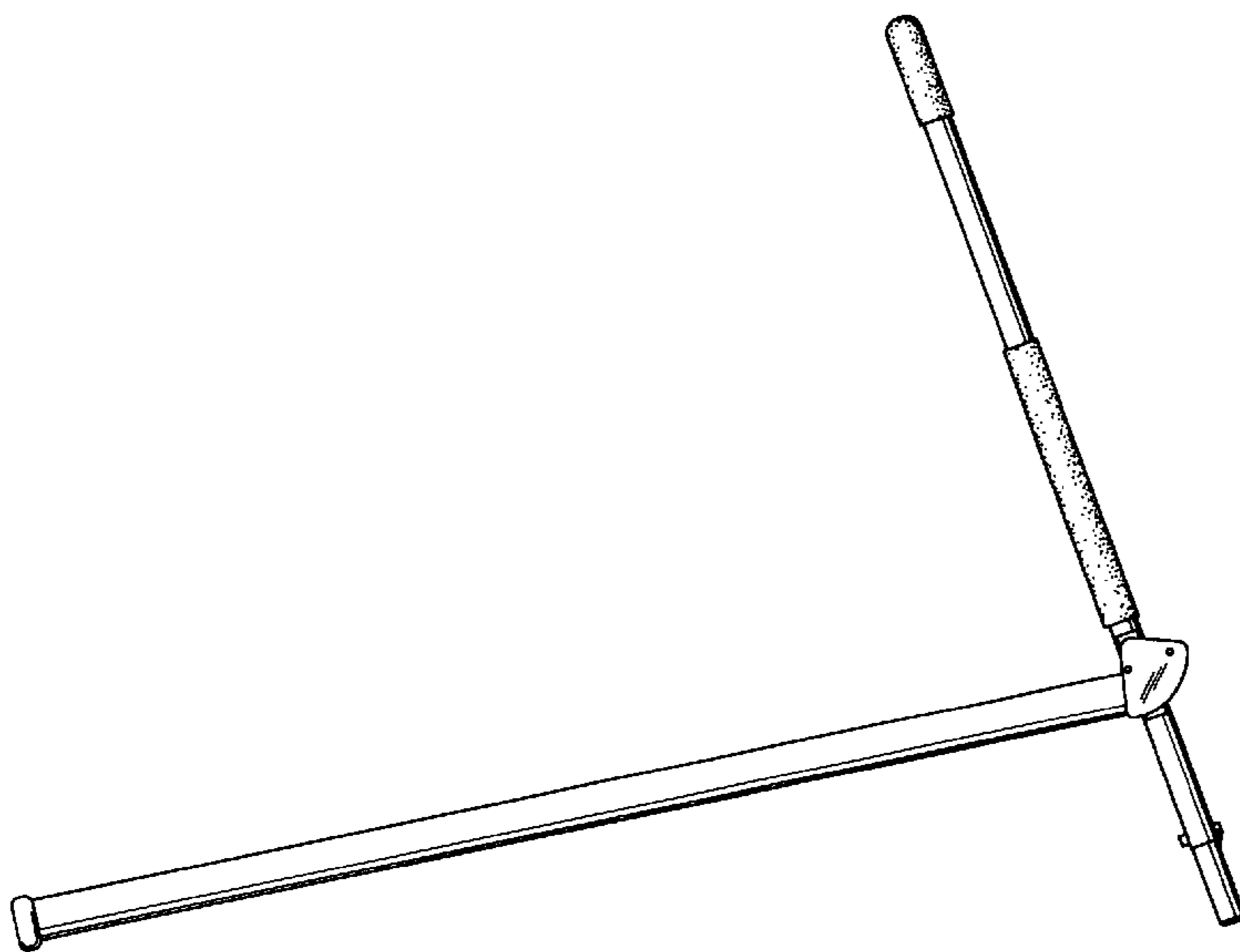


FIG. 5

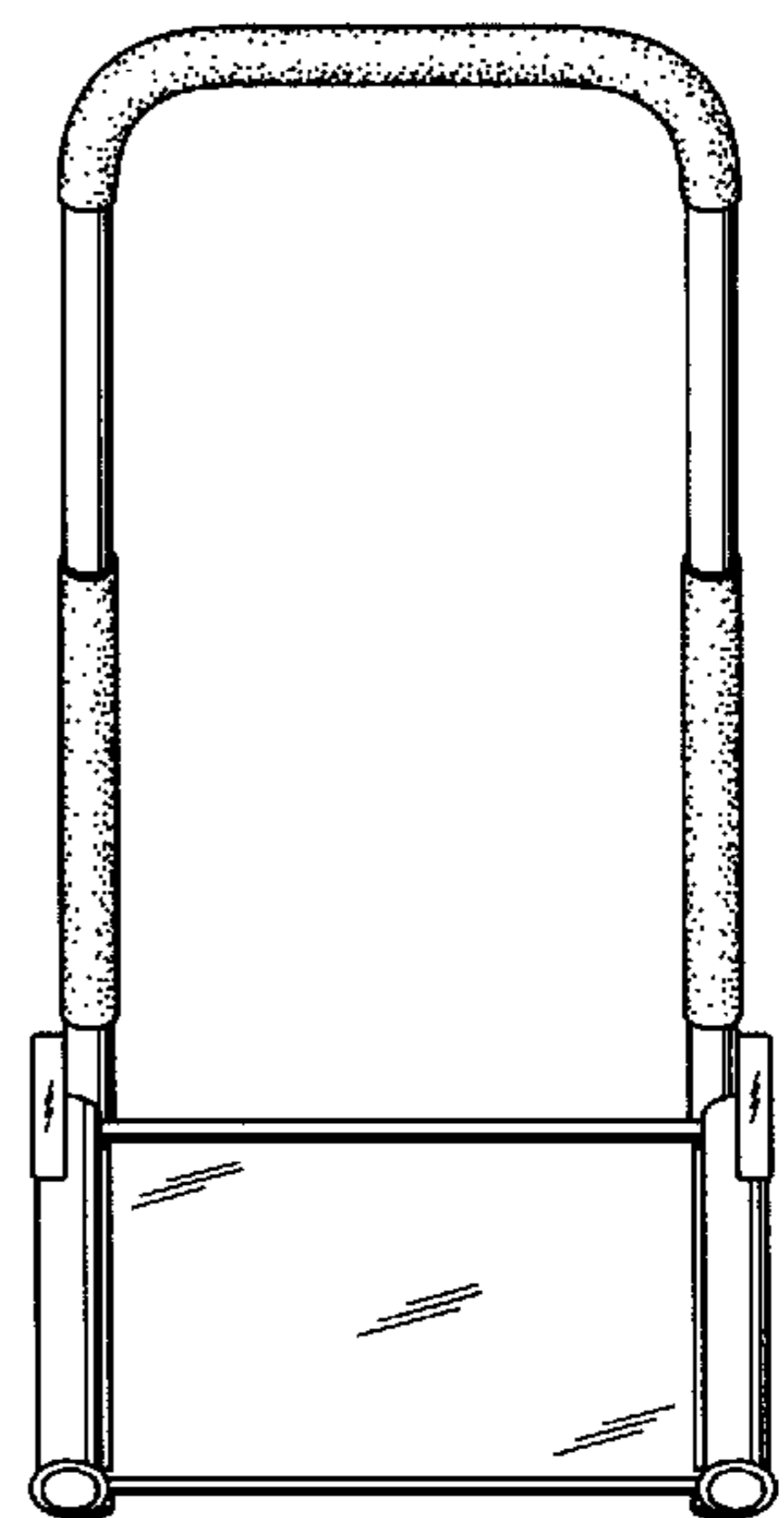


FIG. 6