



US00D413365S

United States Patent [19]

Kageyama et al.

[11] Patent Number: Des. 413,365

[45] Date of Patent: ** Aug. 31, 1999

[54] TOY STAND

4,706,915 11/1987 Cindric et al. 248/125.8
5,149,033 9/1992 Burzler 248/176.1

[75] Inventors: **Koji Kageyama; Masahiro Fujita; Hideki Noma**, all of Tokyo, Japan

Primary Examiner—Sandra L. Morris
Attorney, Agent, or Firm—Foley & Lardner

[73] Assignee: **Sony Corporation**, Tokyo, Japan

[57] CLAIM

[**] Term: **14 Years**

The ornamental design for a toy stand, as shown and described.

[21] Appl. No.: **29/078,705**

DESCRIPTION

[22] Filed: **Oct. 31, 1997**

[30] Foreign Application Priority Data

Jul. 10, 1997 [JP] Japan 9-61164

[51] LOC (6) Cl. **21-01**

[52] U.S. Cl. **D21/658; D6/466**

[58] Field of Search D6/396, 449, 466,
D6/513, 514; D21/658; 248/121, 124.1,
176.1; 446/73, 268

FIG. 1 is a perspective view of a first embodiment of a toy stand showing our new design;
FIG. 2 is a top plan view thereof;
FIG. 3 is a left side elevational view thereof, a right side elevational view thereof being a mirror image;
FIG. 4 is a front elevational view thereof;
FIG. 5 is a bottom plan view thereof;
FIG. 6 is a rear elevational view thereof;
FIG. 7 is a perspective view of a second embodiment of a toy stand showing our new design;
FIG. 8 is a top plan view thereof;
FIG. 9 is a left side elevational view thereof, a right side elevational view thereof being a mirror image;
FIG. 10 is a front elevational view thereof;
FIG. 11 is a bottom plan view thereof; and,
FIG. 12 is a rear elevational view thereof.

[56] References Cited

U.S. PATENT DOCUMENTS

D. 205,492	8/1966	McCormick	D6/466
D. 246,409	11/1977	Ventura	D6/466
D. 391,098	2/1998	Northrop	D6/466
2,409,426	12/1946	Gerdeman	D6/513
4,331,311	5/1982	Russell	248/176.1

1 Claim, 6 Drawing Sheets

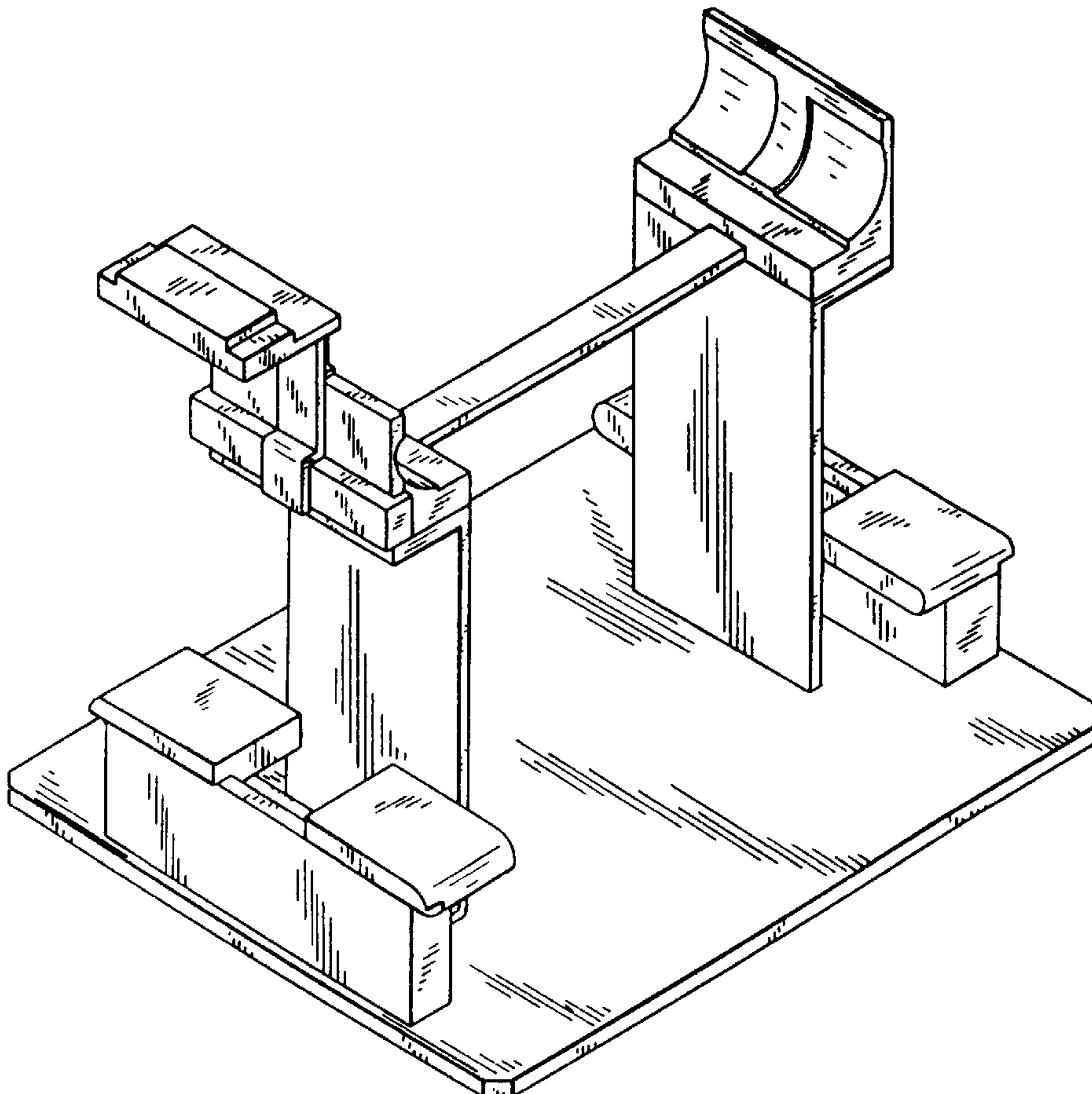


FIG. 1

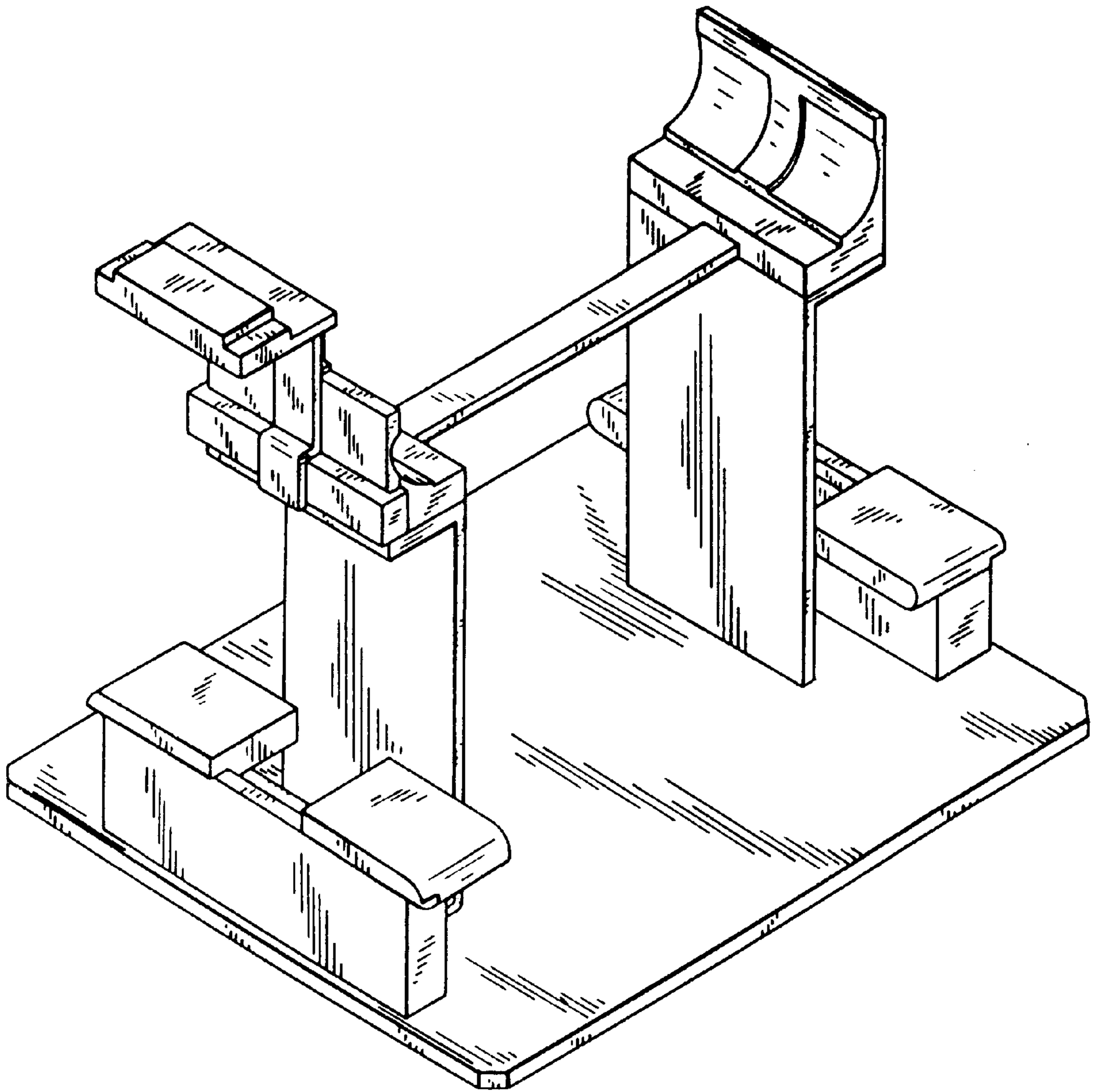


FIG.2

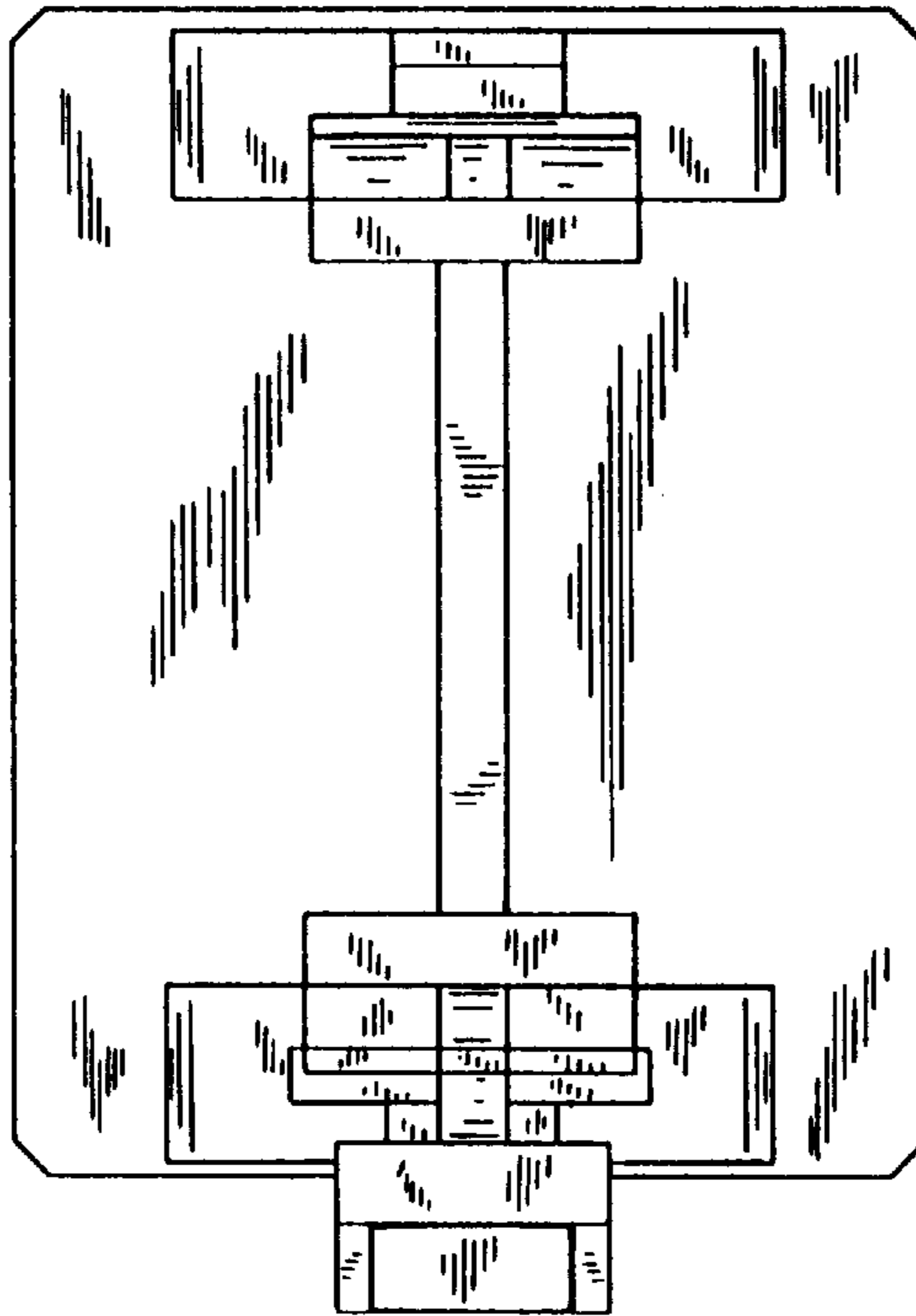


FIG.5

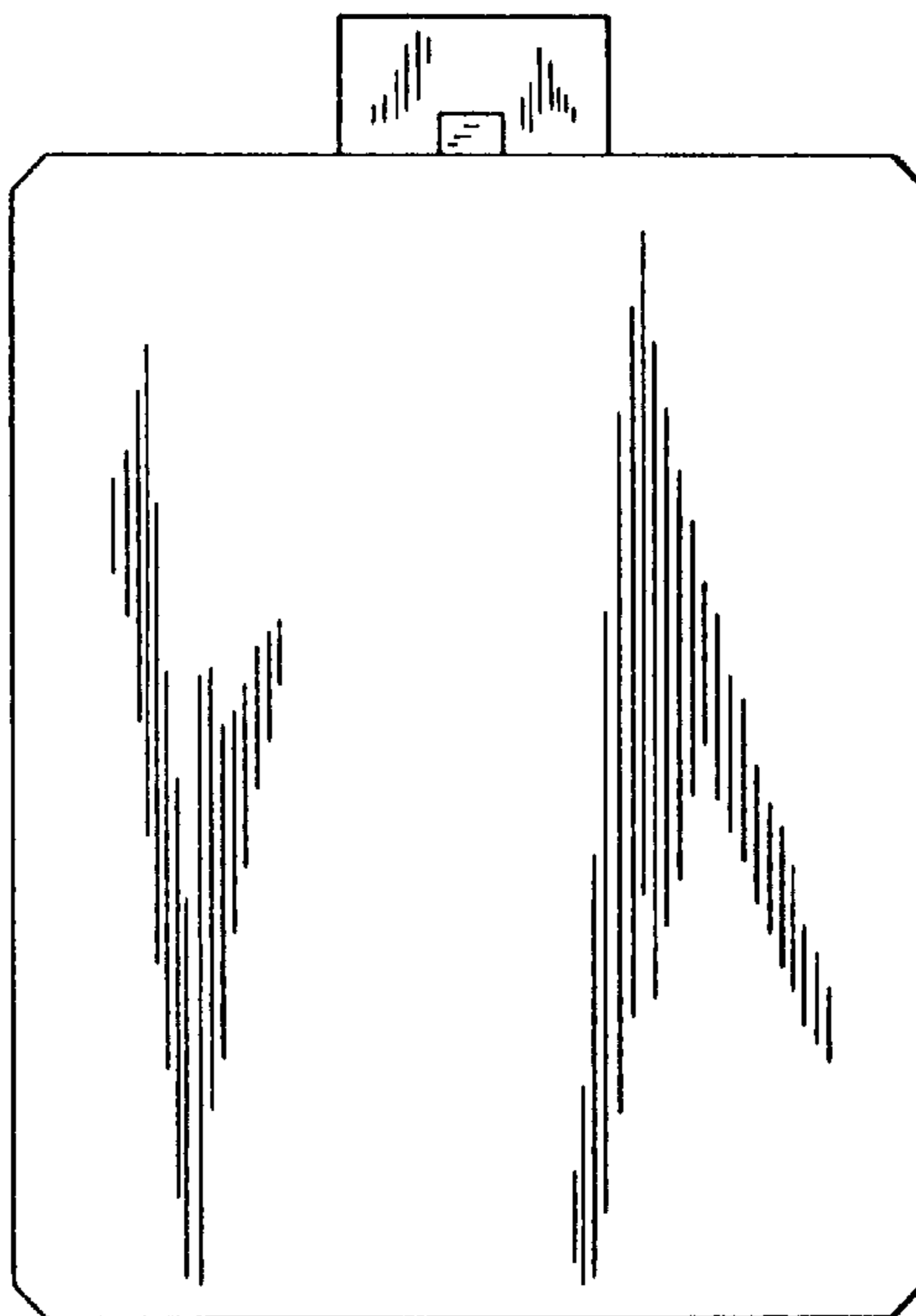


FIG. 3

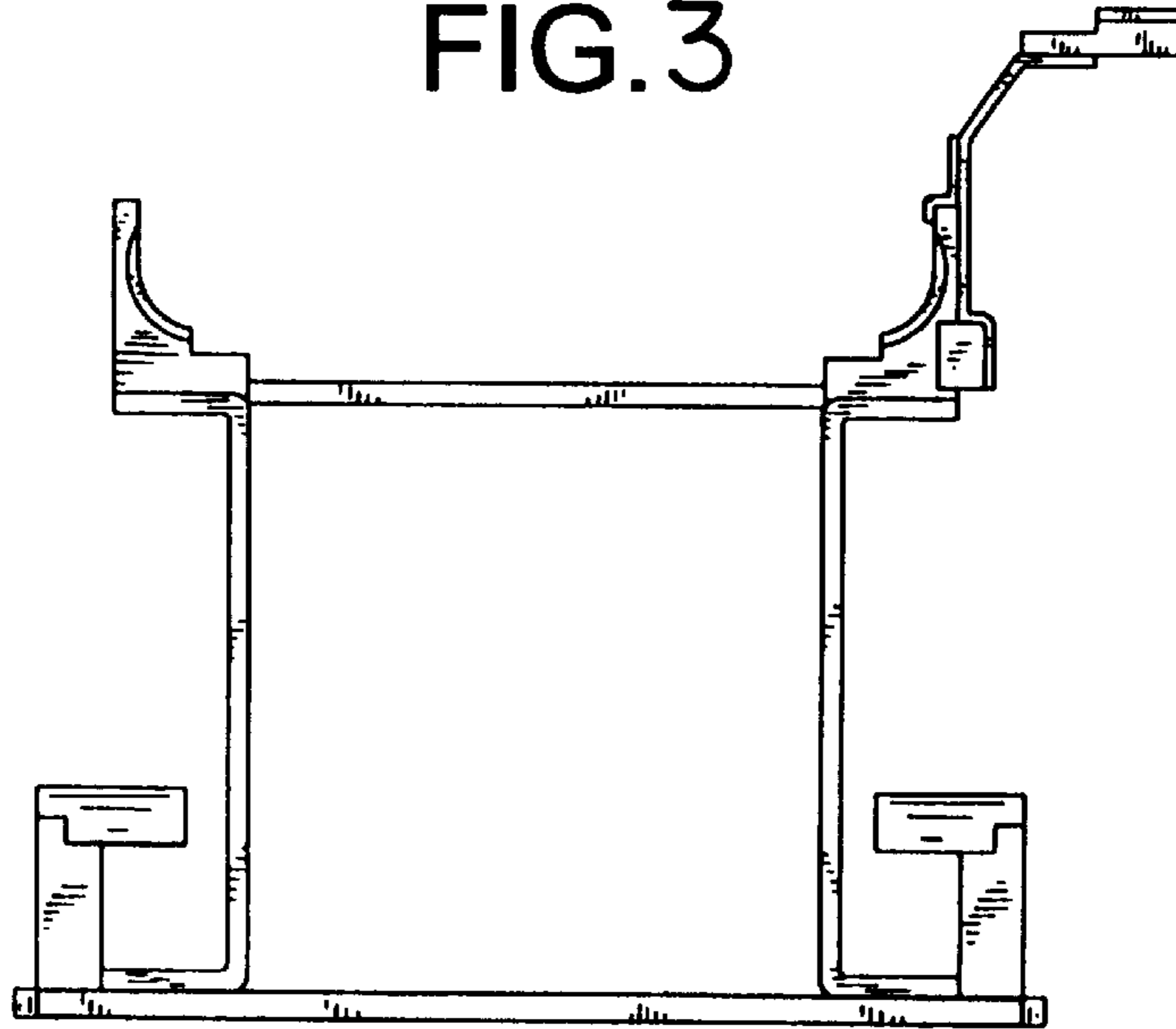


FIG. 4

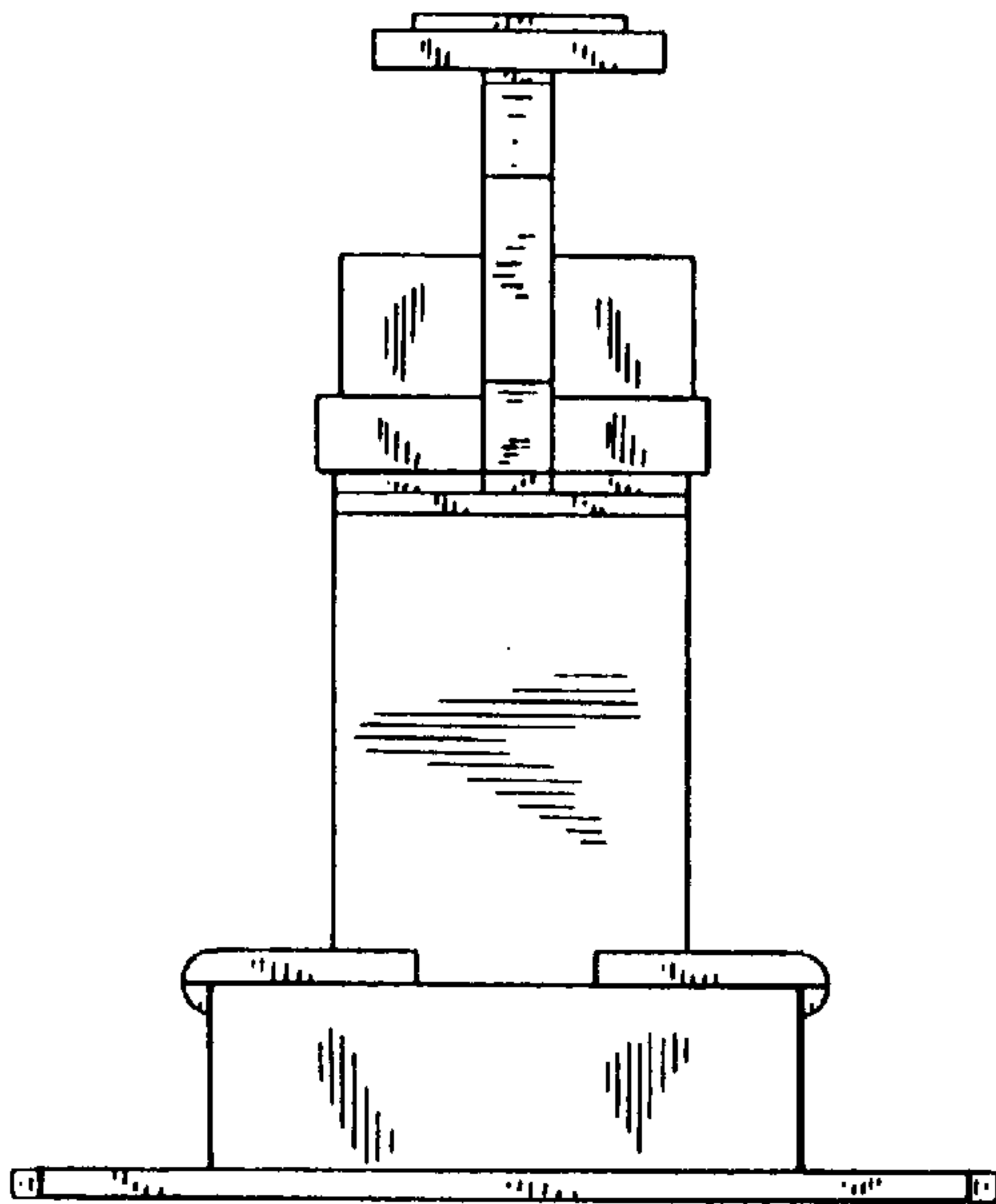


FIG. 6

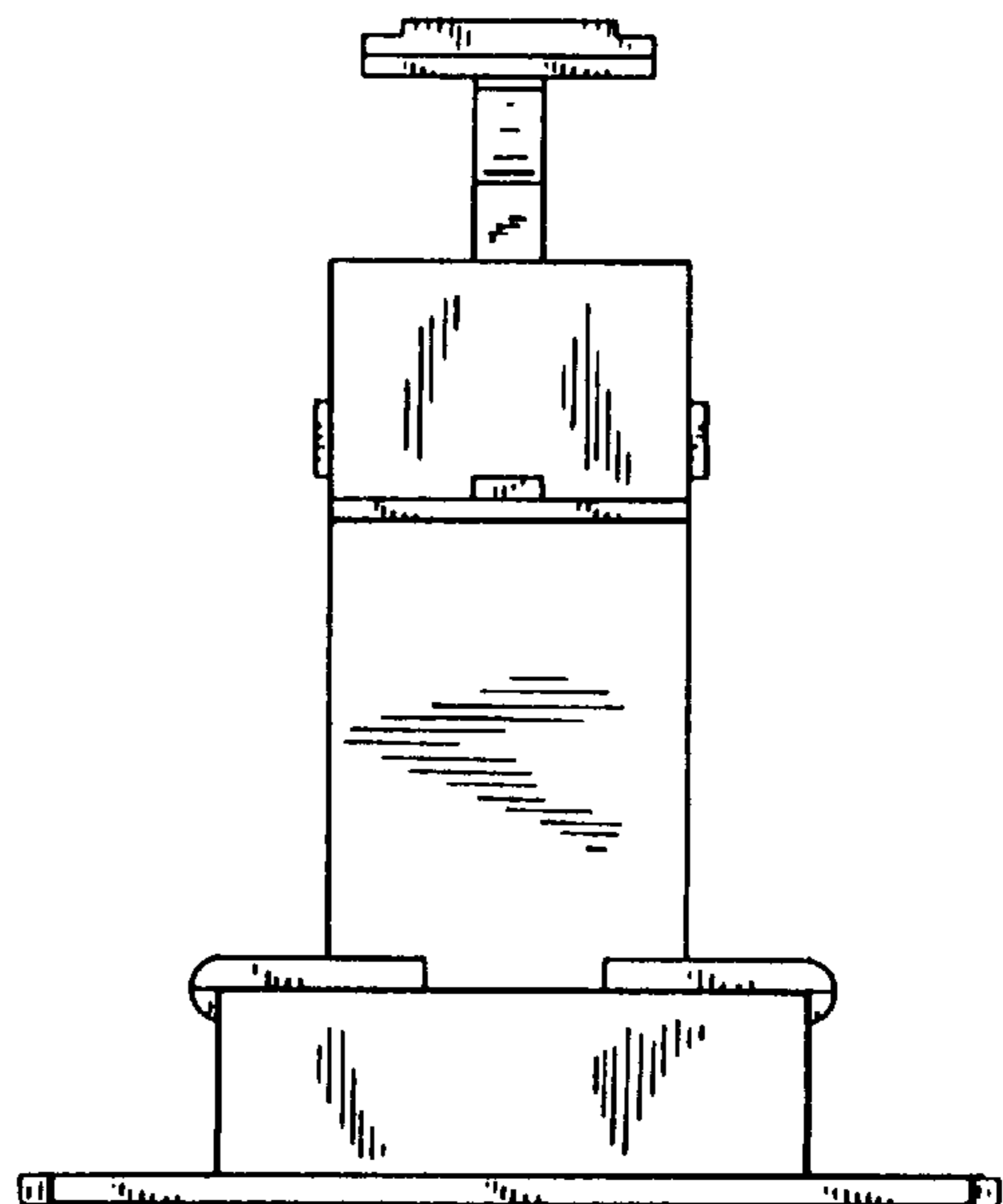


FIG. 7

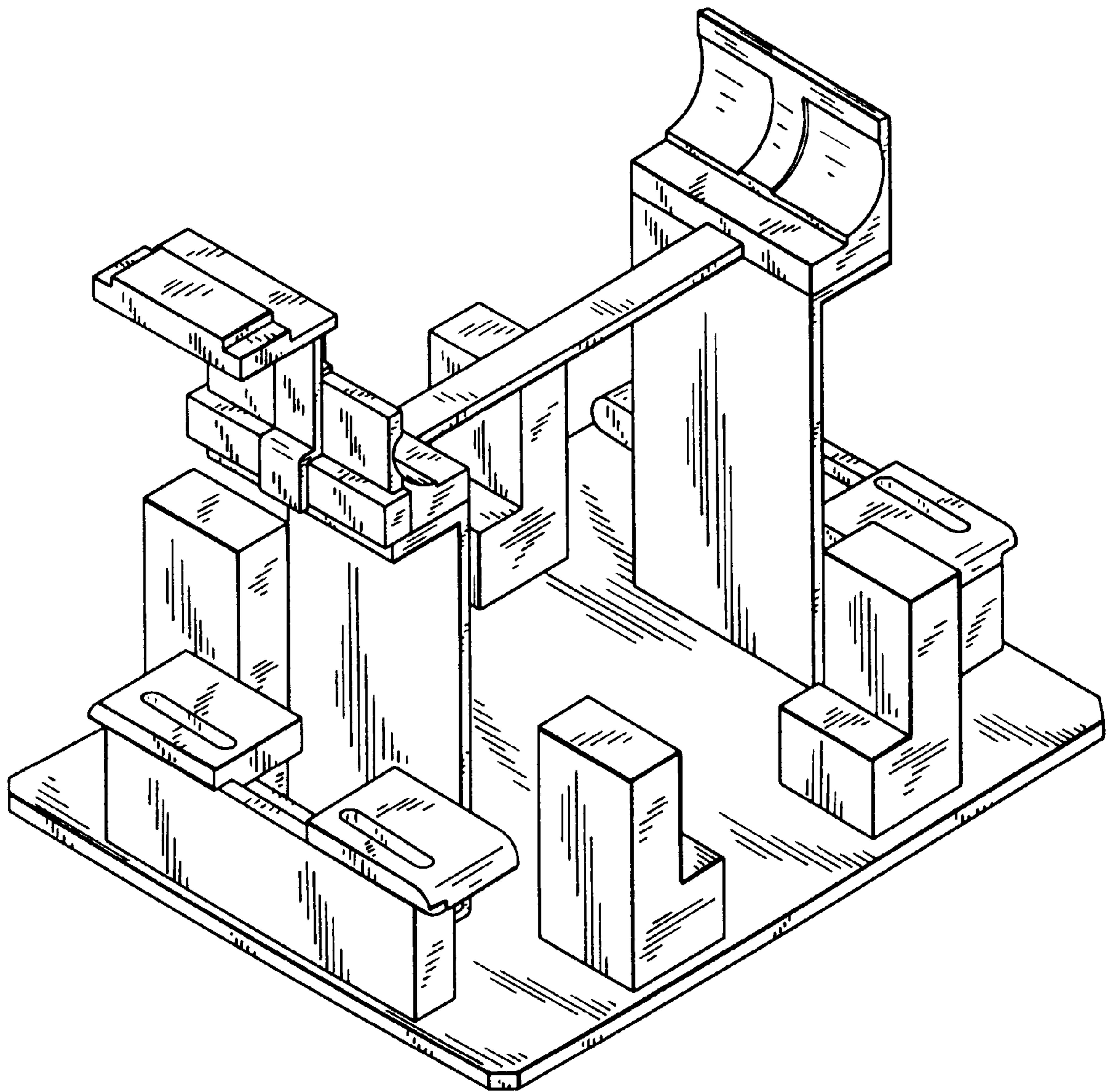


FIG. 8

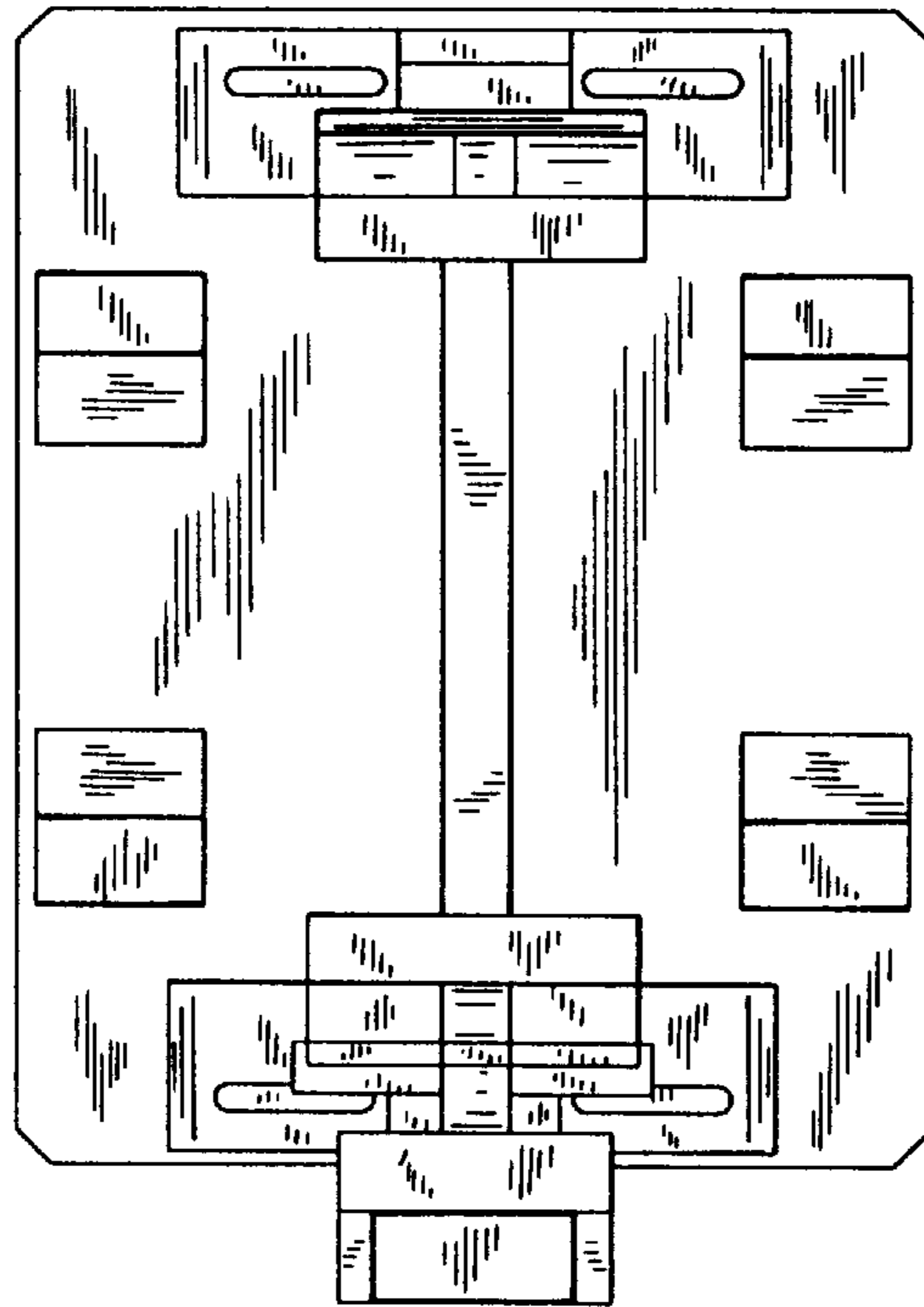


FIG. 11

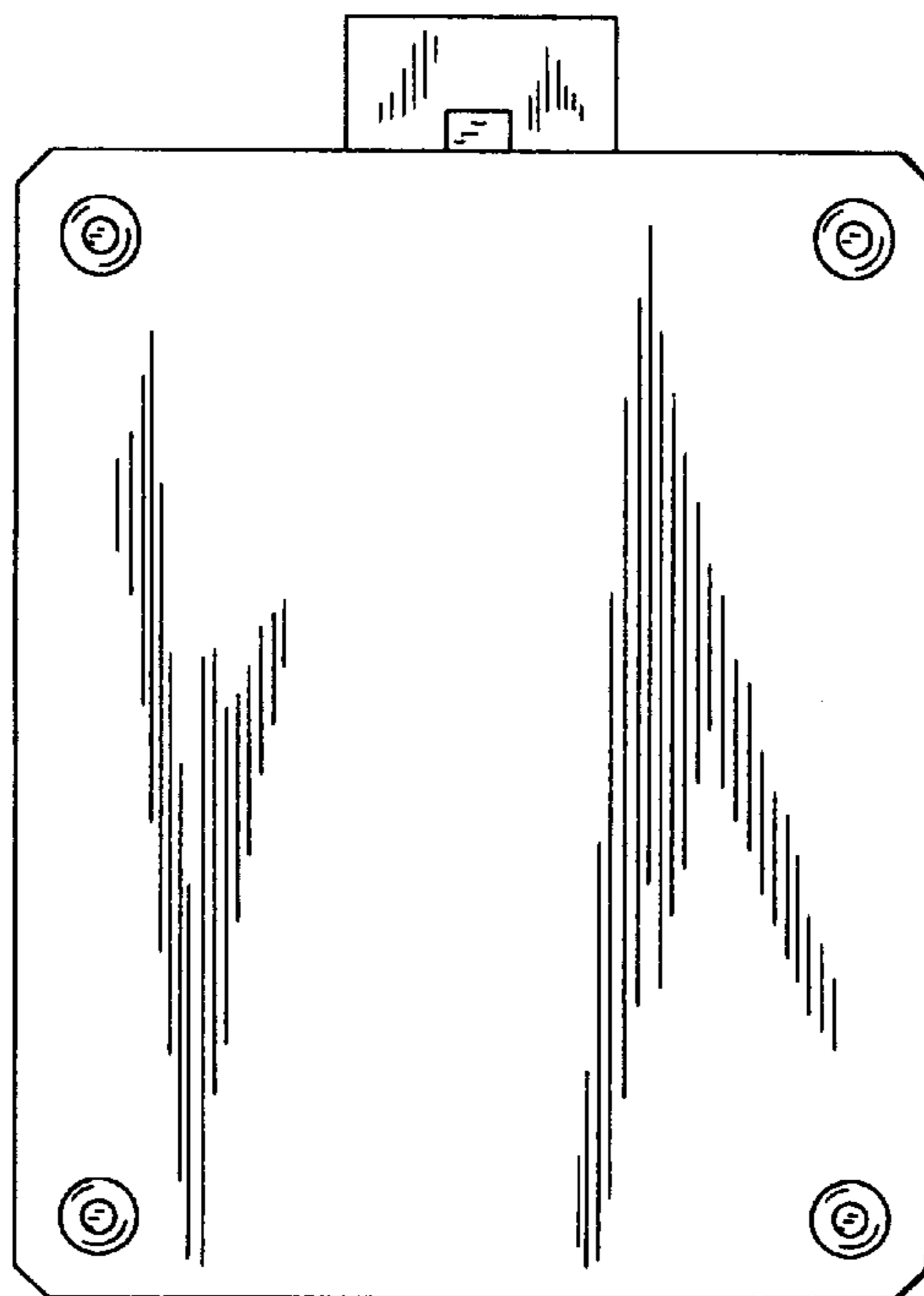


FIG. 9

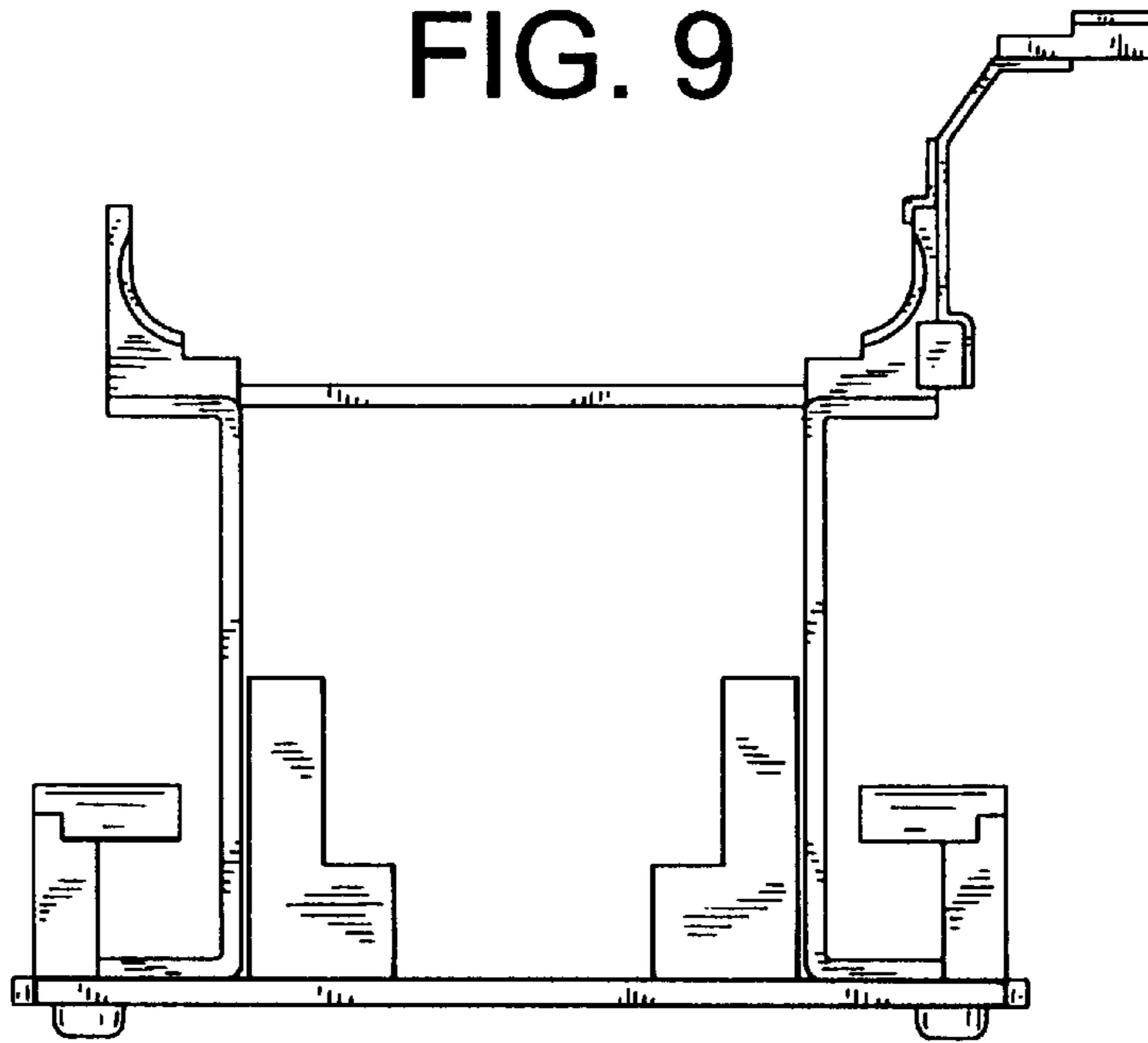


FIG. 10

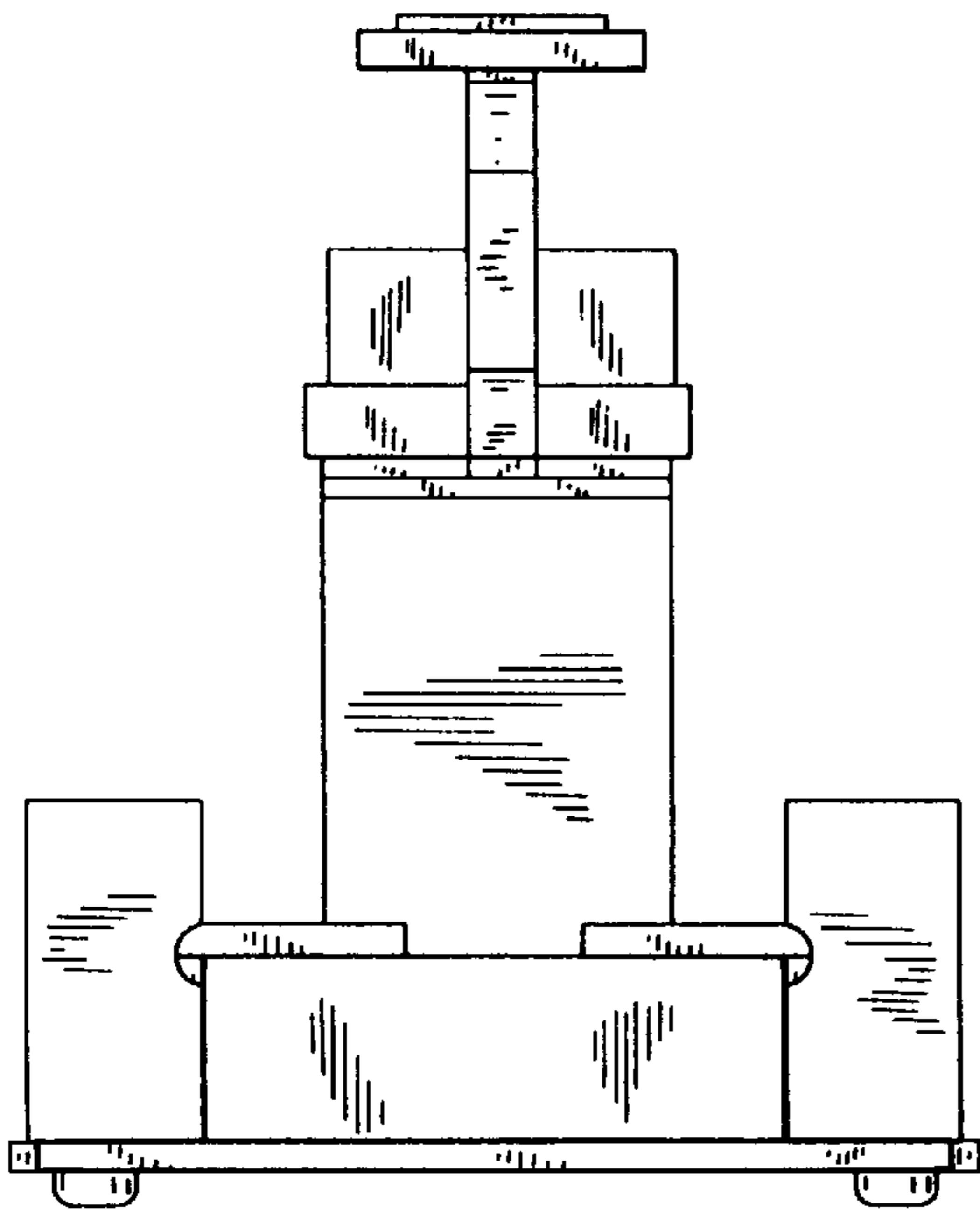


FIG. 12

