



US00D413363S

United States Patent [19]
Shearer

[11] **Patent Number: Des. 413,363**

[45] **Date of Patent: ** Aug. 31, 1999**

[54] **WHEEL FOR A MODEL CAR**

[76] Inventor: **Jeffrey R. Shearer**, 12350 Elgers St.,
Cerritos, Calif. 90703

[**] Term: **14 Years**

[21] Appl. No.: **29/080,876**

[22] Filed: **Dec. 18, 1997**

[51] **LOC (6) Cl.** **21-01**

[52] **U.S. Cl.** **D21/563**

[58] **Field of Search** D21/563, 548-551,
D21/424-435; D12/204-213; 446/88, 95,
465, 466, 469, 470, 454, 455, 456; 301/6.9,
64.1, 65, 37.1

[56] **References Cited**

U.S. PATENT DOCUMENTS

D. 256,931	9/1980	Smith	D21/563
D. 274,424	6/1984	Cunard	D12/213
D. 301,864	6/1989	Hempelmann	D12/205
D. 372,451	8/1996	Miansian	D12/213
D. 385,247	10/1997	Miansian	D12/213
D. 387,027	12/1997	Bradley	D12/205

Primary Examiner—Raphael Barkai
Attorney, Agent, or Firm—Lyon & Lyon LLP

[57] **CLAIM**

The ornamental design for wheel for a model car, as shown and described.

DESCRIPTION

FIG. 1 is a perspective view of a wheel for a model car showing my new design;

FIG. 2 is a front view thereof;

FIG. 3 is a rear view thereof;

FIG. 4 is a sectional view thereof taken along the lines 4—4 in FIG. 2;

FIG. 5 is a perspective view of a modified embodiment of the design shown in FIGS. 1-4;

FIG. 6 is a front view thereof;

FIG. 7 is a rear view thereof; and,

FIG. 8 is a sectional view thereof taken along the lines 8—8 in FIG. 6.

The broken lines shown in FIGS. 1,3,4,5,7 and 8 is for illustrative purposes only and forms no part of the claimed design.

1 Claim, 2 Drawing Sheets

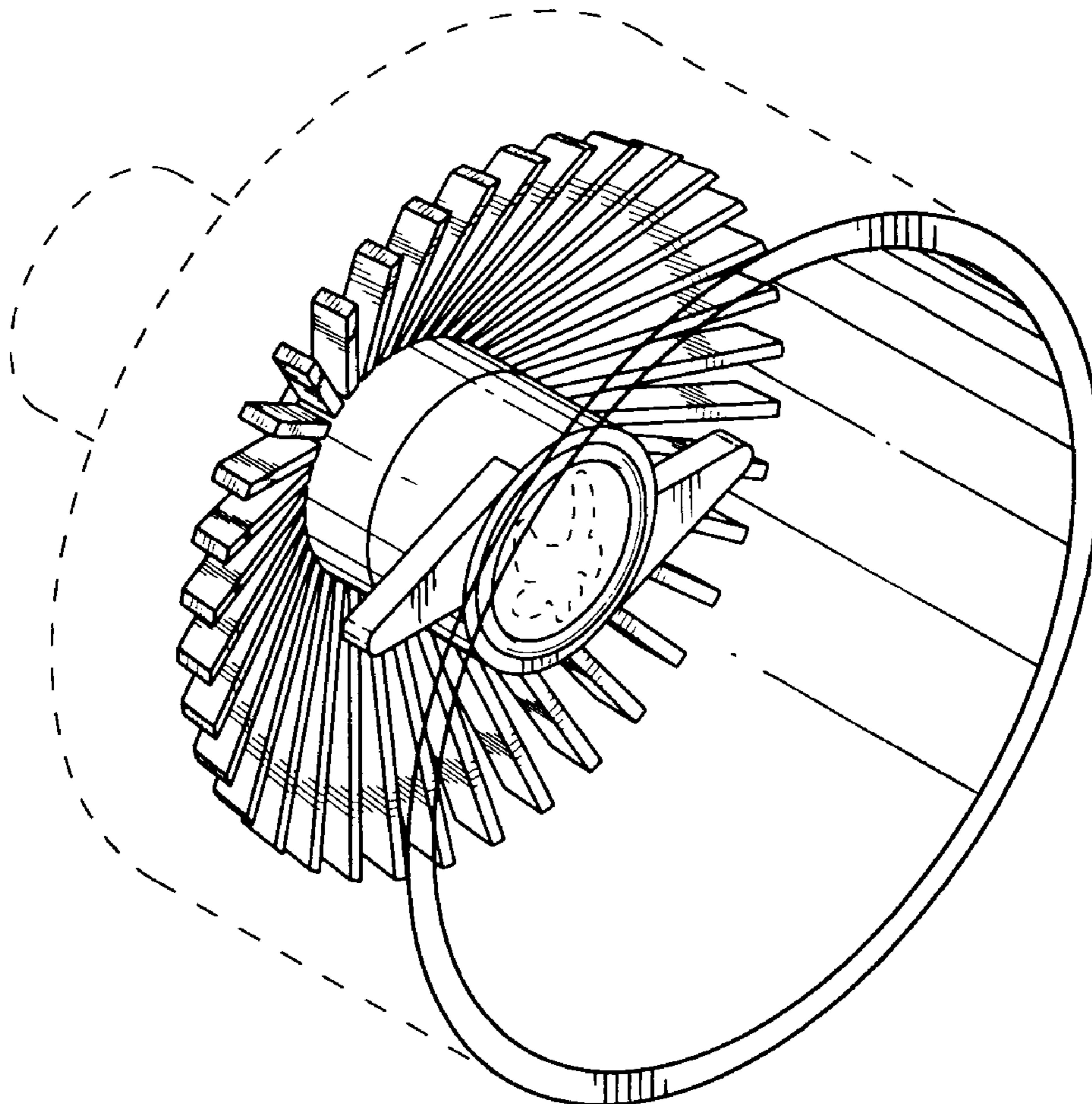


FIG. 1

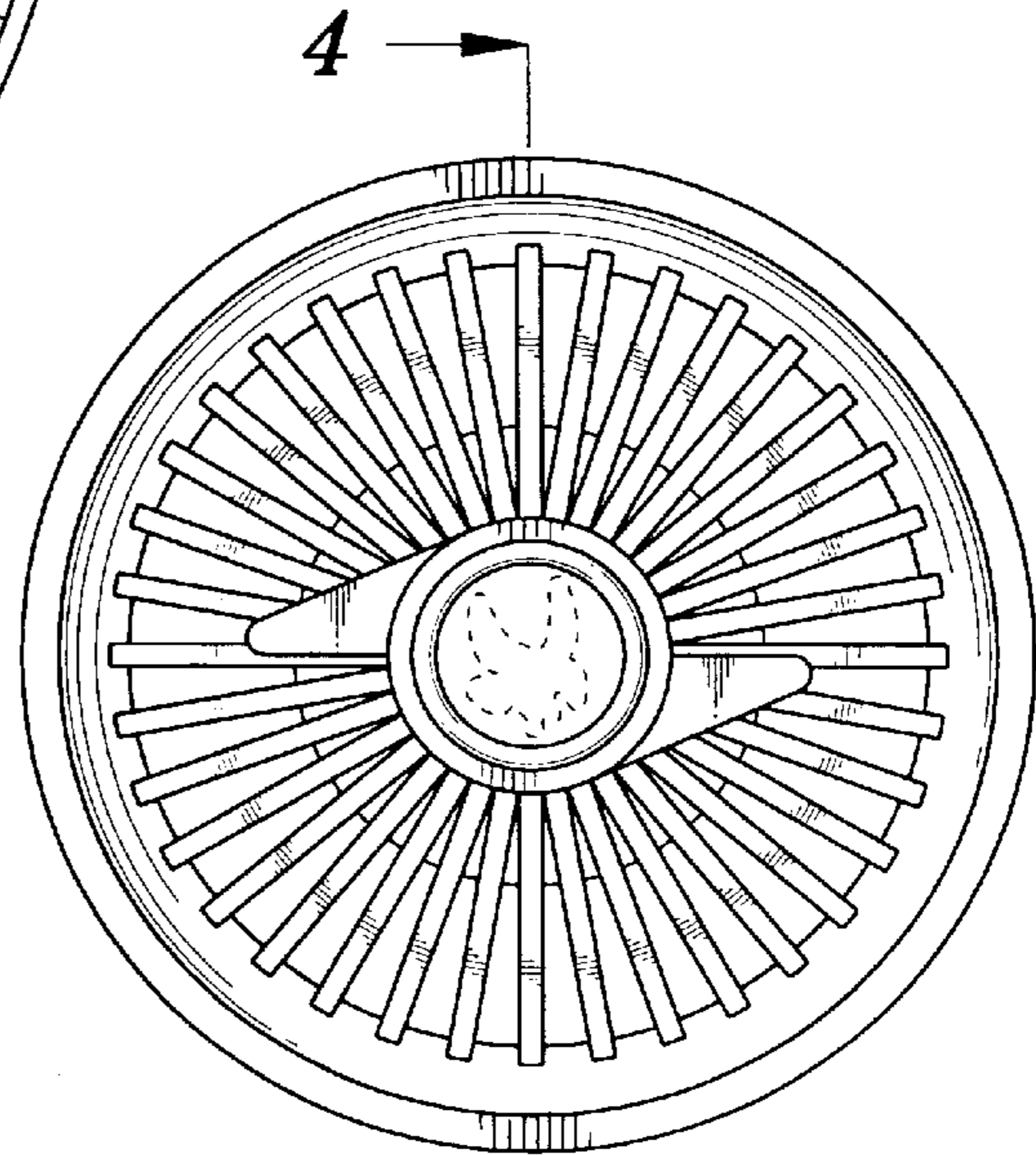
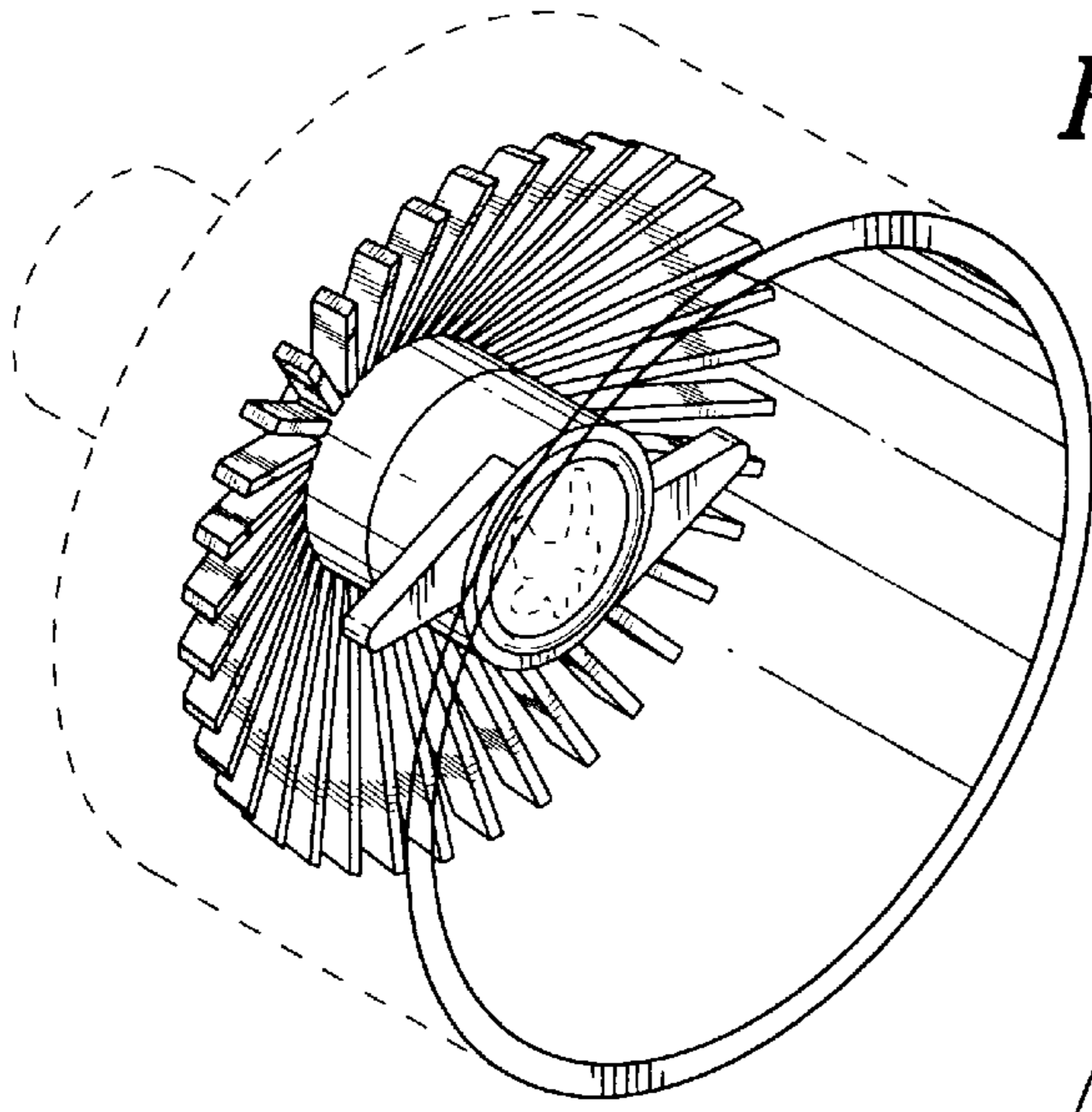


FIG. 2

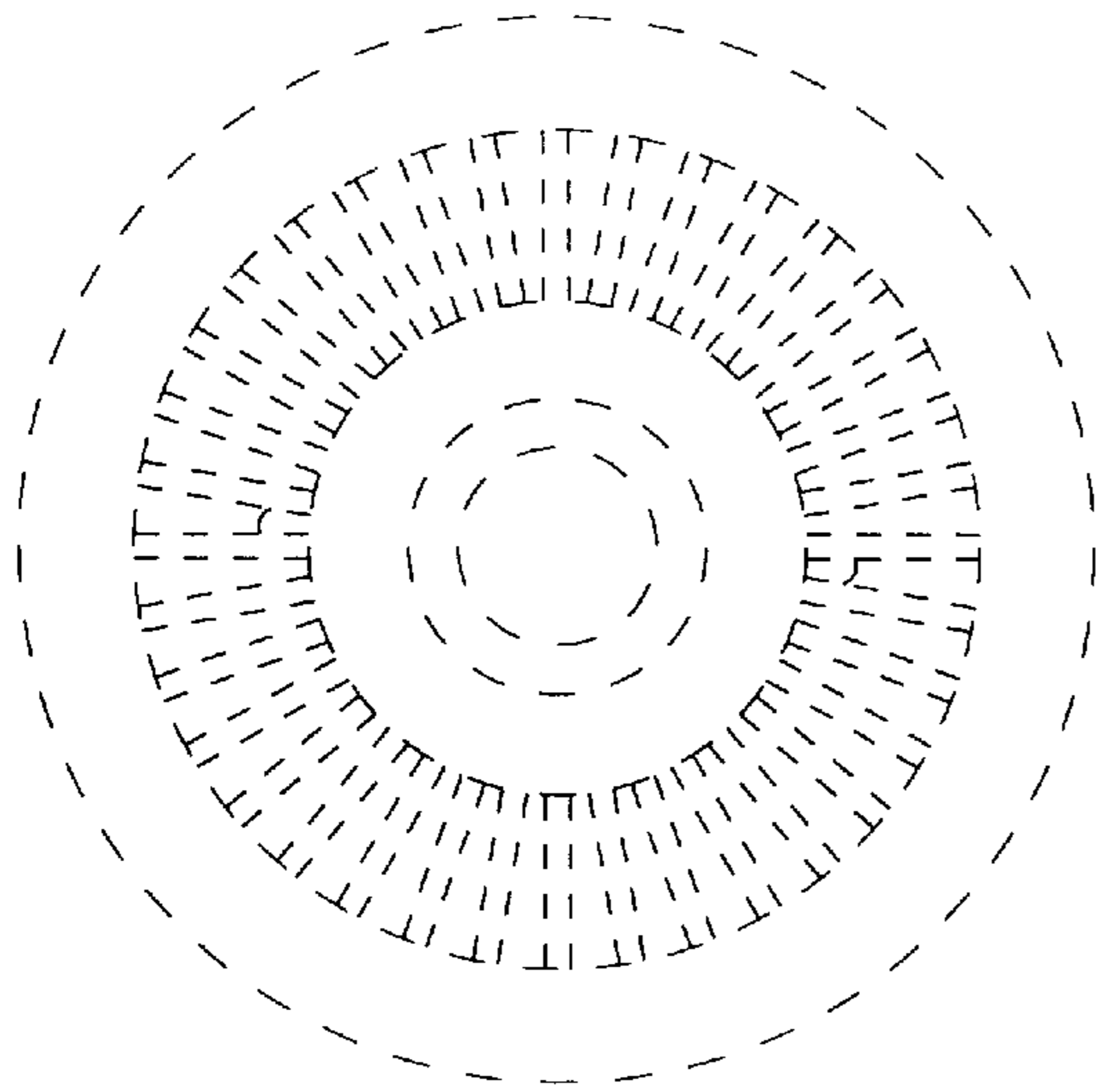


FIG. 3

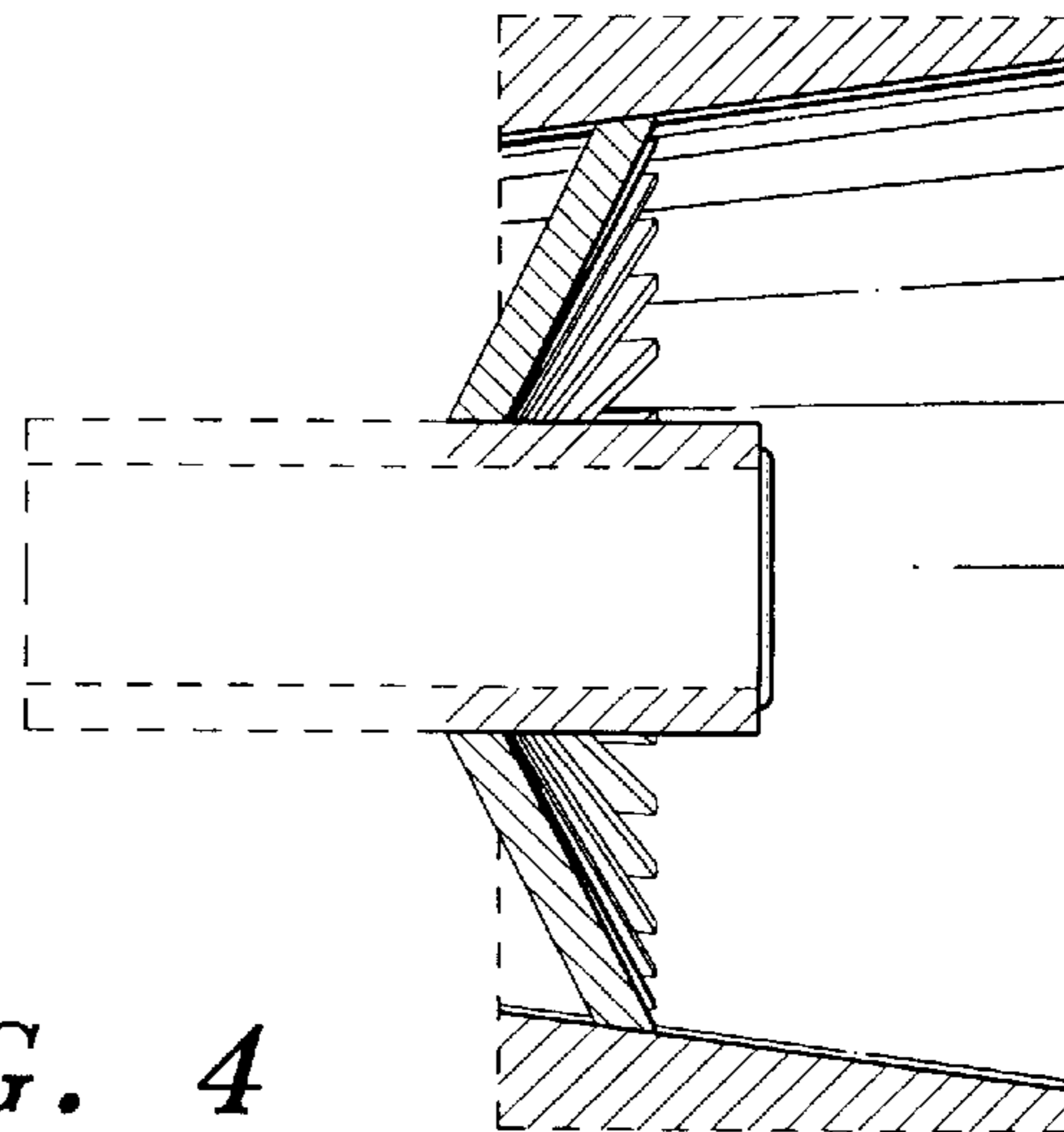


FIG. 4

FIG. 5

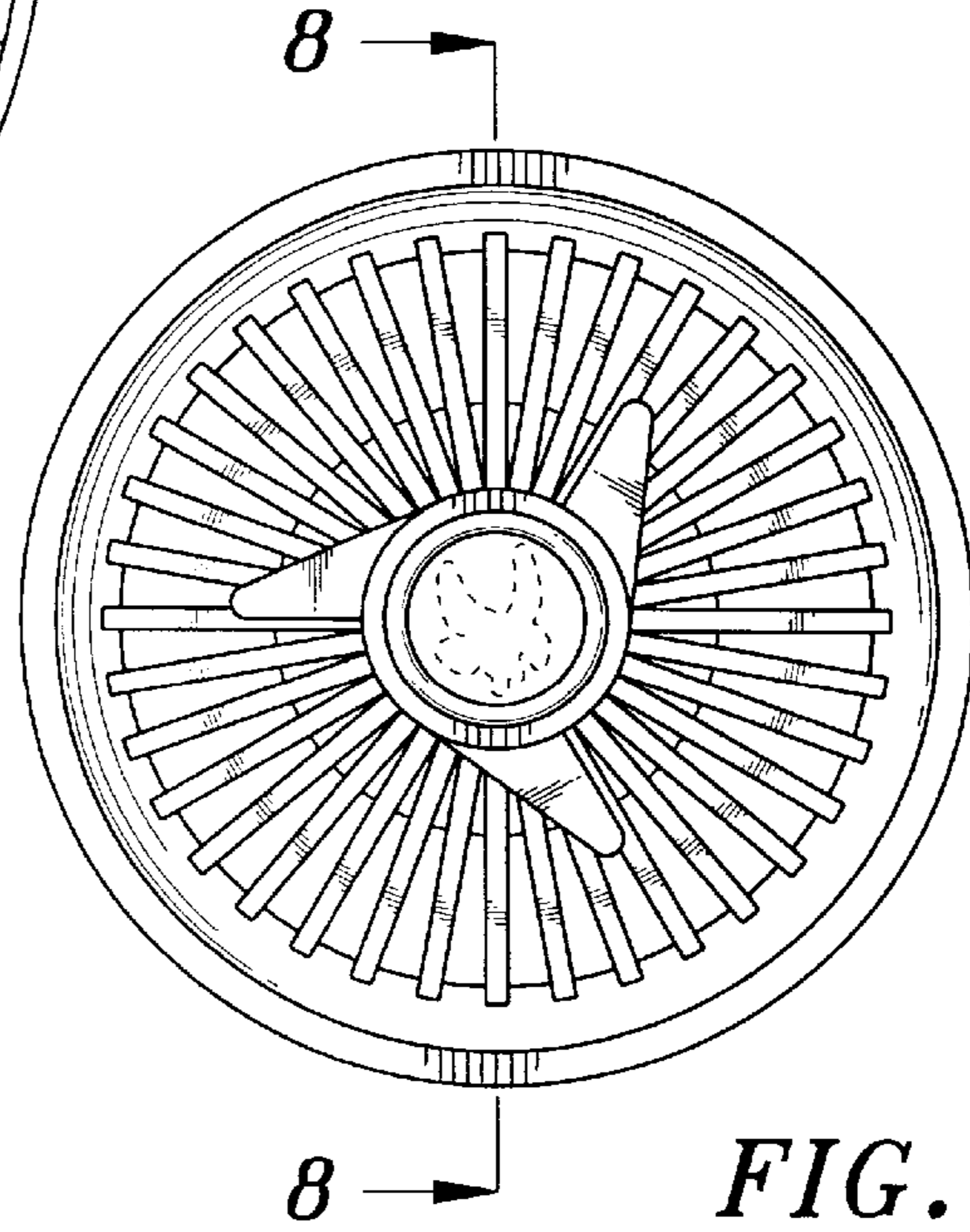
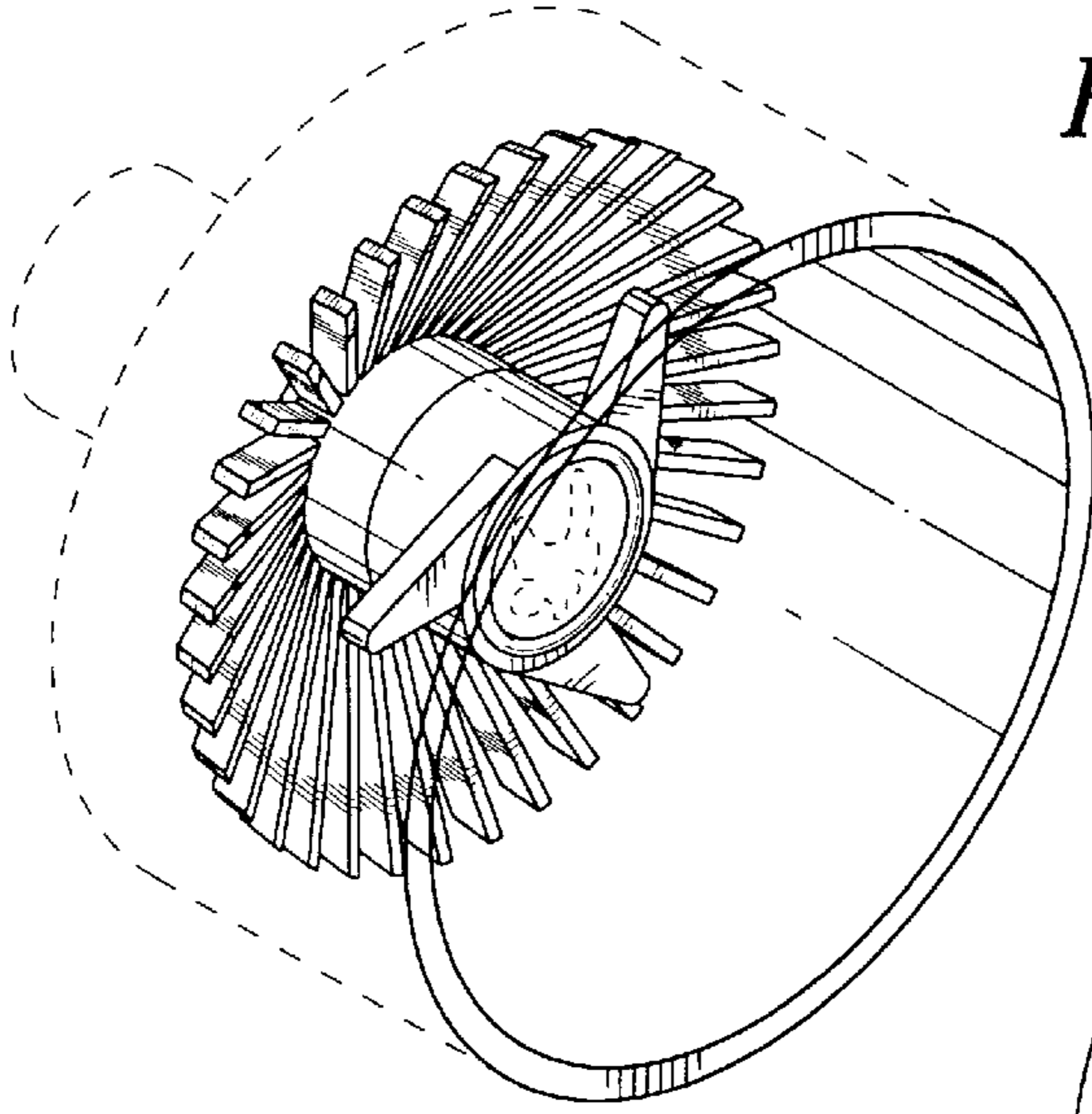


FIG. 6

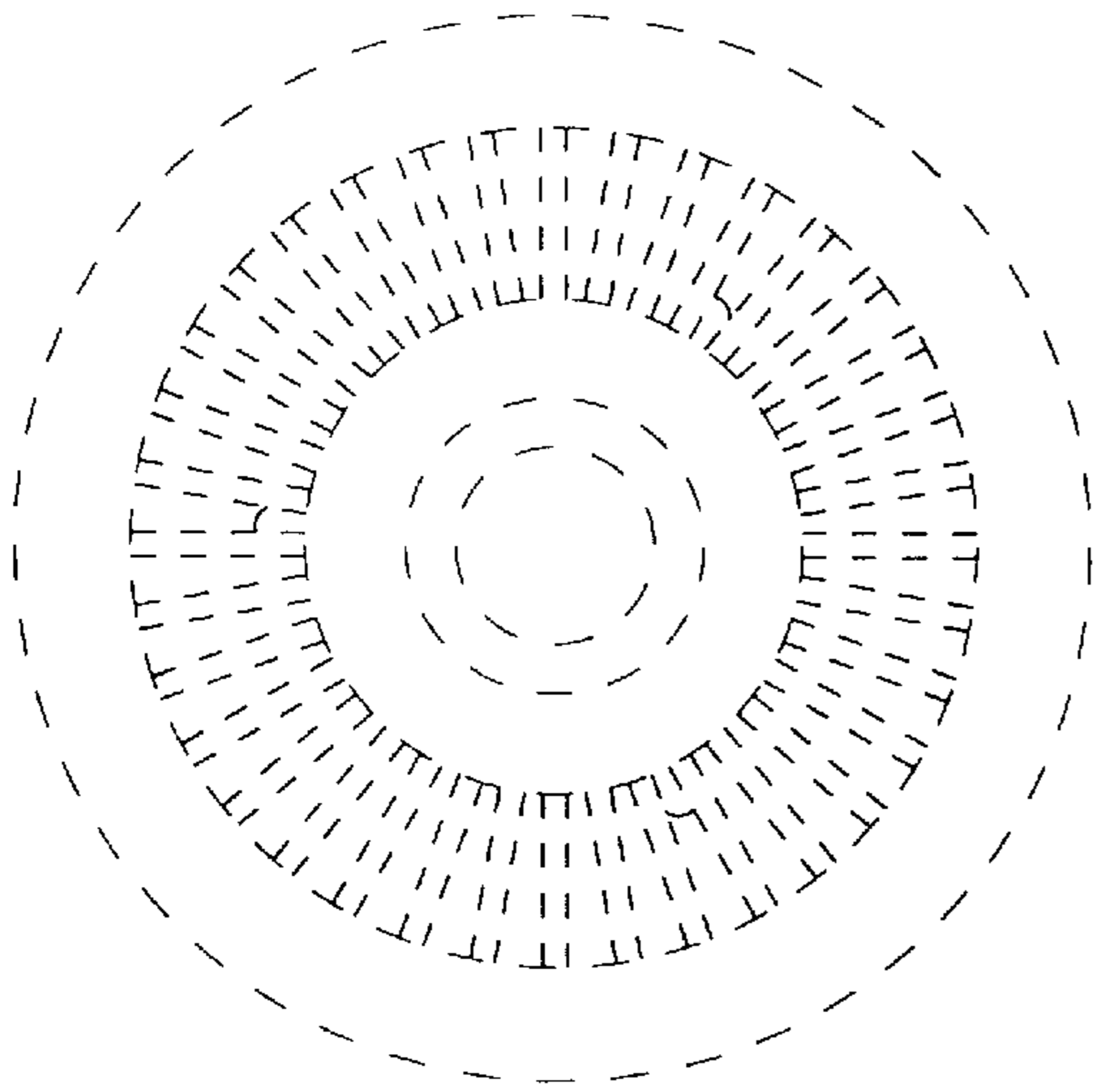


FIG. 7

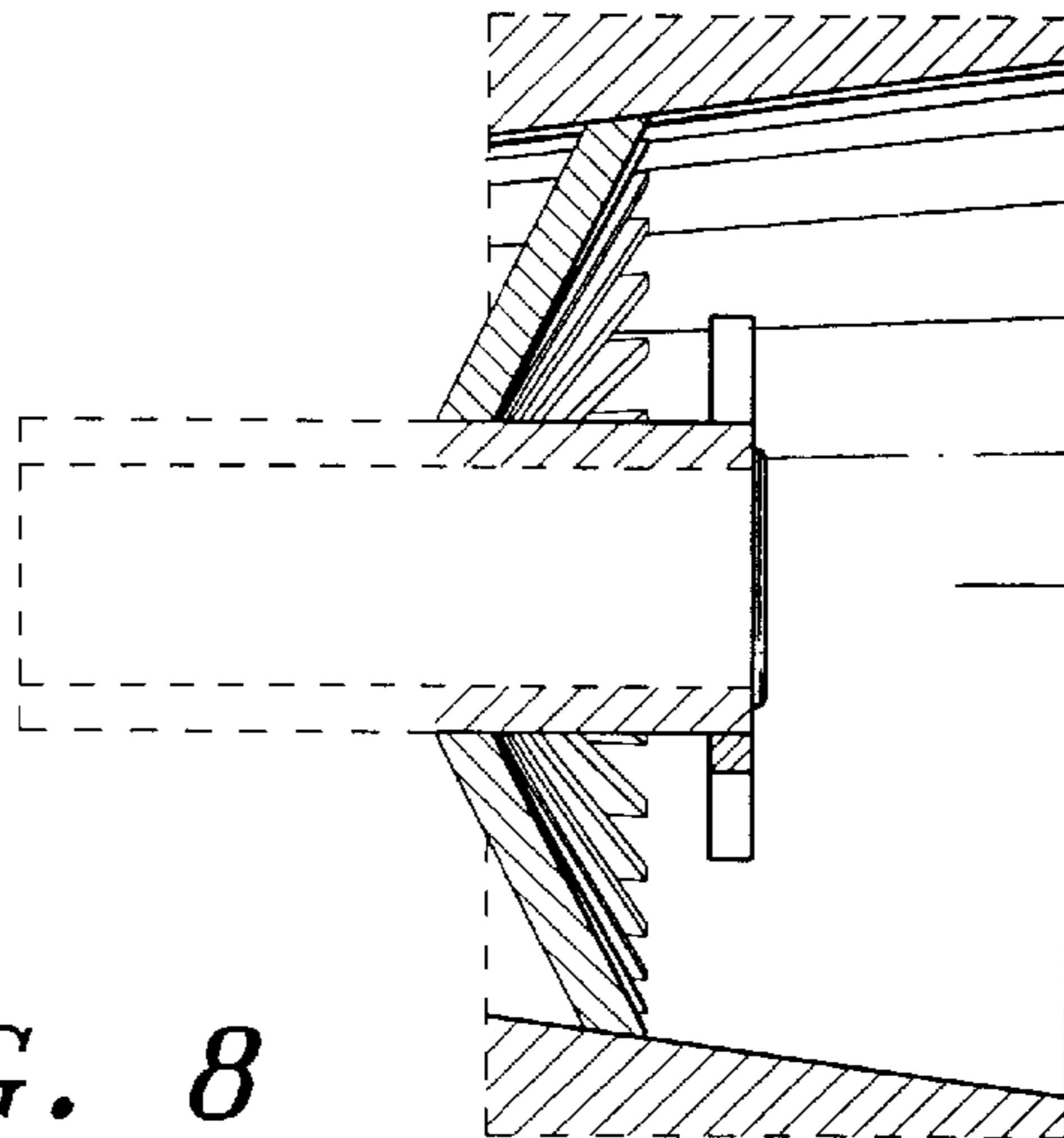


FIG. 8