



US00D413358S

United States Patent [19]

McDonald et al.

[11] Patent Number: Des. 413,358

[45] Date of Patent: ** Aug. 31, 1999

[54] TOY GOLF GAME

[75] Inventors: **Gerald A. McDonald; Ronald G. Magers**, both of Gloucester, Mass.

[73] Assignee: **Tiger Electronics, Ltd.**, Pawtucket, R.I.

[**] Term: **14 Years**

[21] Appl. No.: **29/092,308**

[22] Filed: **Aug. 17, 1998**

[51] LOC (6) Cl. **21-01**

[52] U.S. Cl. **D21/324; D21/735**

[58] Field of Search D21/733, 735, D21/324, 338, 329; 473/324, 327-331, 343-346; 463/1, 30.35, 46, 47; 273/148

[56] **References Cited**

U.S. PATENT DOCUMENTS

D. 377,066	12/1996	Goosman et al.	D21/733
D. 380,123	6/1997	Friedlander	D21/715
3,792,863	2/1974	Evans .	
3,945,646	3/1976	Hammond .	
4,088,324	5/1978	Farmer .	
4,699,379	10/1987	Chateau et al. .	
4,840,371	6/1989	Harris .	

4,940,236	7/1990	Allen .	
5,233,544	8/1993	Kobayashi .	
5,620,378	4/1997	Fritz et al.	473/324
5,741,182	4/1998	Lipps et al. .	

Primary Examiner—Mitchell Siegel
Attorney, Agent, or Firm—Fitch, Even, Tabin & Flannery

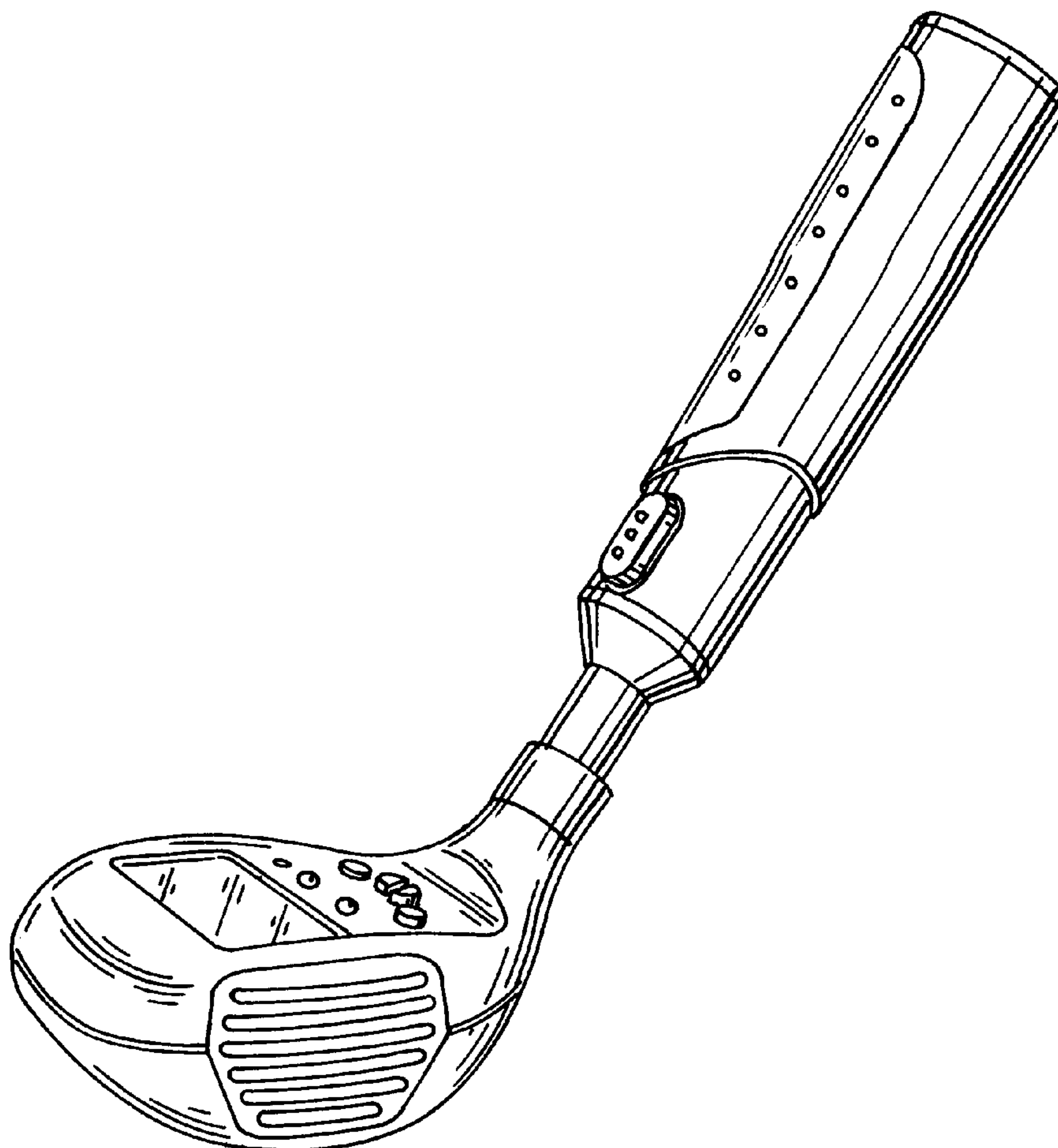
[57] **CLAIM**

We claim the ornamental design for a toy golf game, as shown and described.

DESCRIPTION

FIG. 1 is a perspective view of a toy golf game according to our new design;
 FIG. 2 is a left side elevational view of the toy golf game of FIG. 1;
 FIG. 3 is a front elevational view of the toy golf game of FIG. 1;
 FIG. 4 is a right side elevational view of the toy golf game of FIG. 1;
 FIG. 5 is a rear elevational view of the toy golf game of FIG. 1;
 FIG. 6 is a top plan view of the toy golf game of FIG. 1; and,
 FIG. 7 is a bottom plan view of the toy golf game.

1 Claim, 4 Drawing Sheets



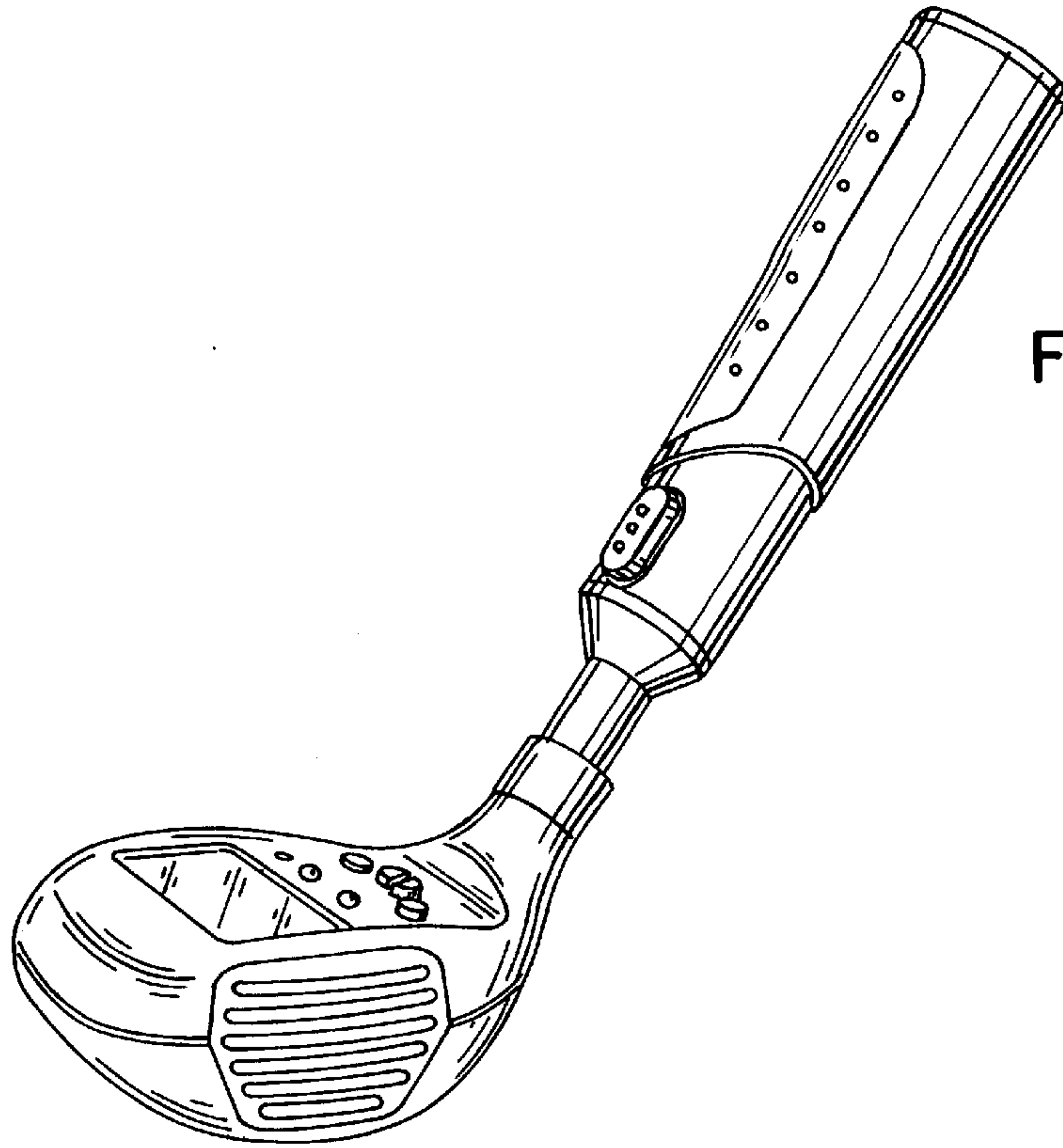


FIG. 1

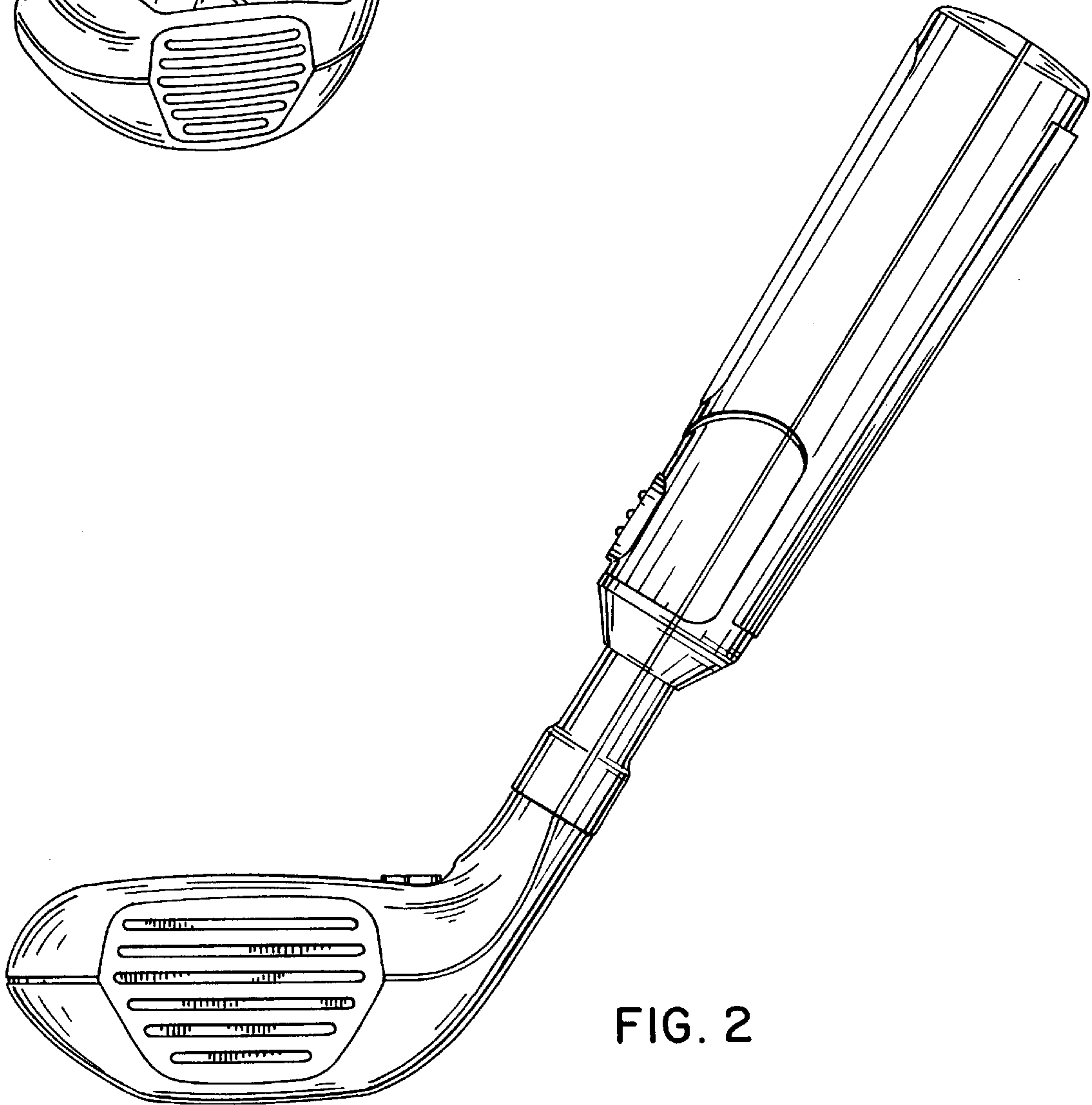


FIG. 2

FIG. 3

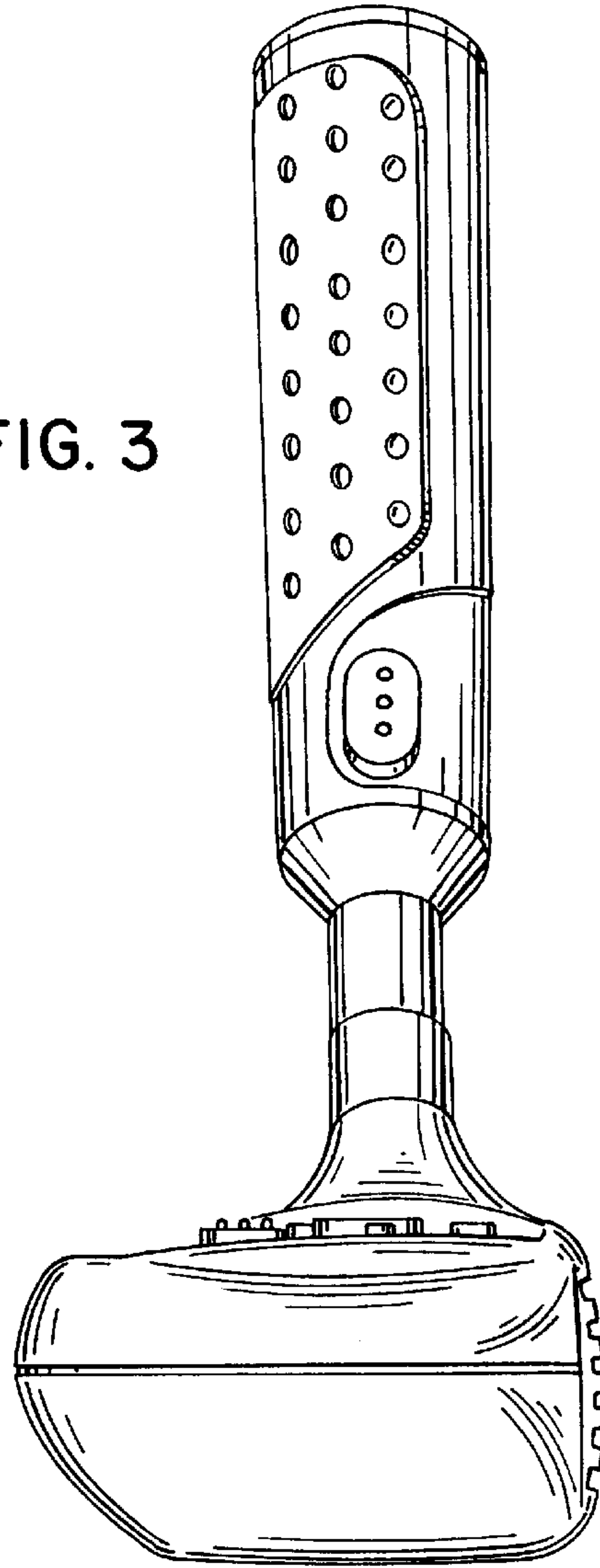
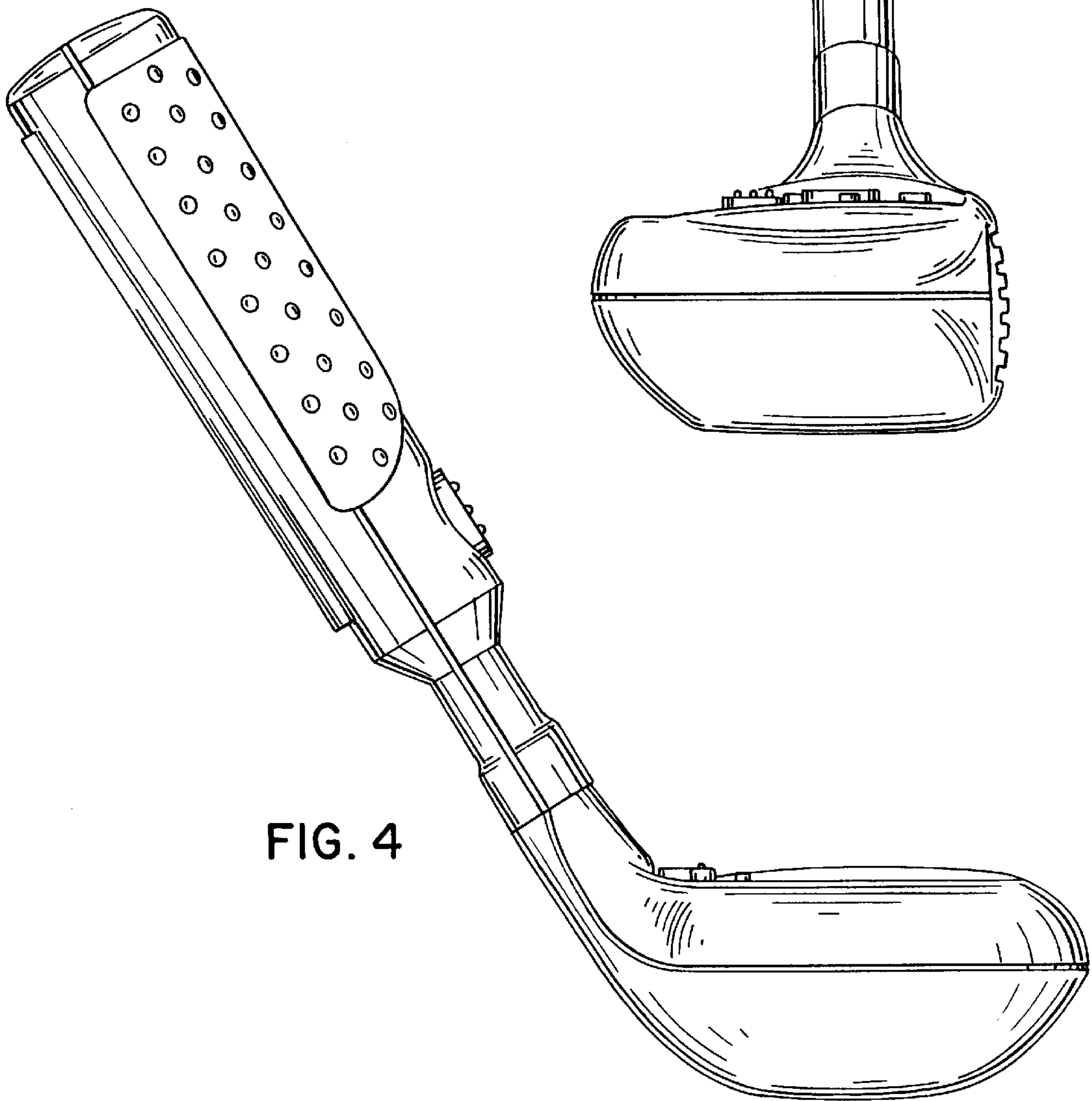


FIG. 4



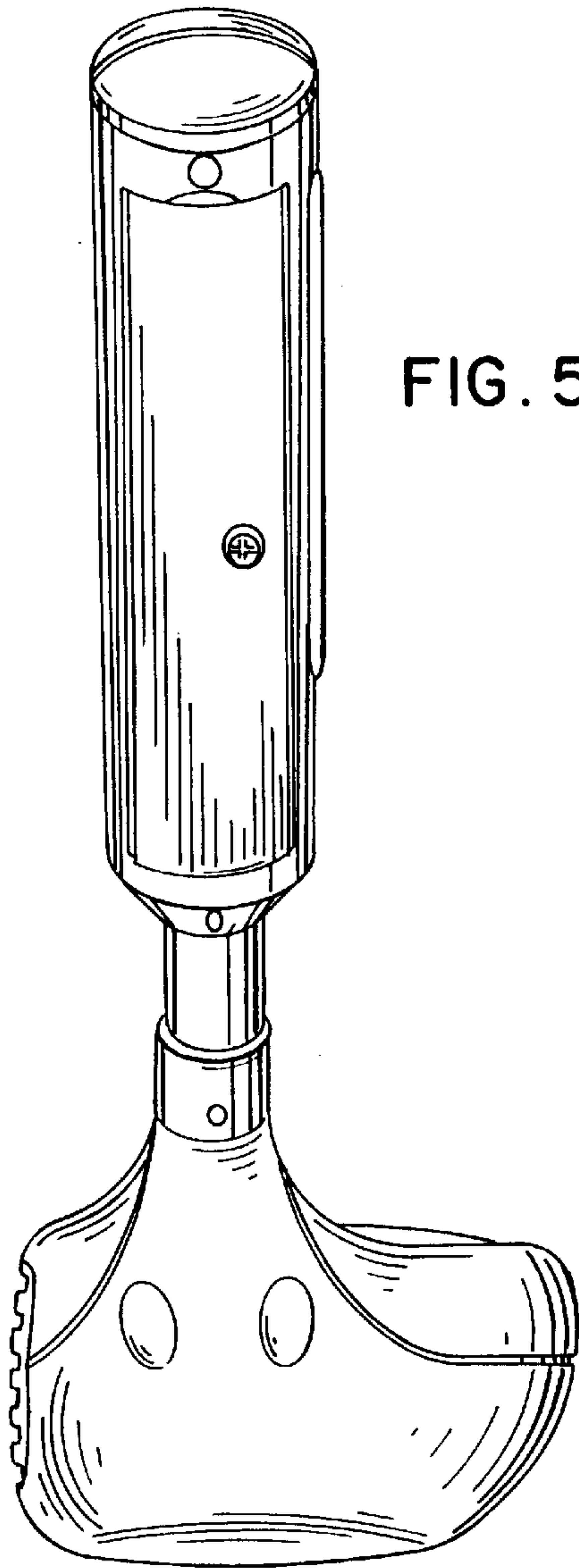


FIG. 5

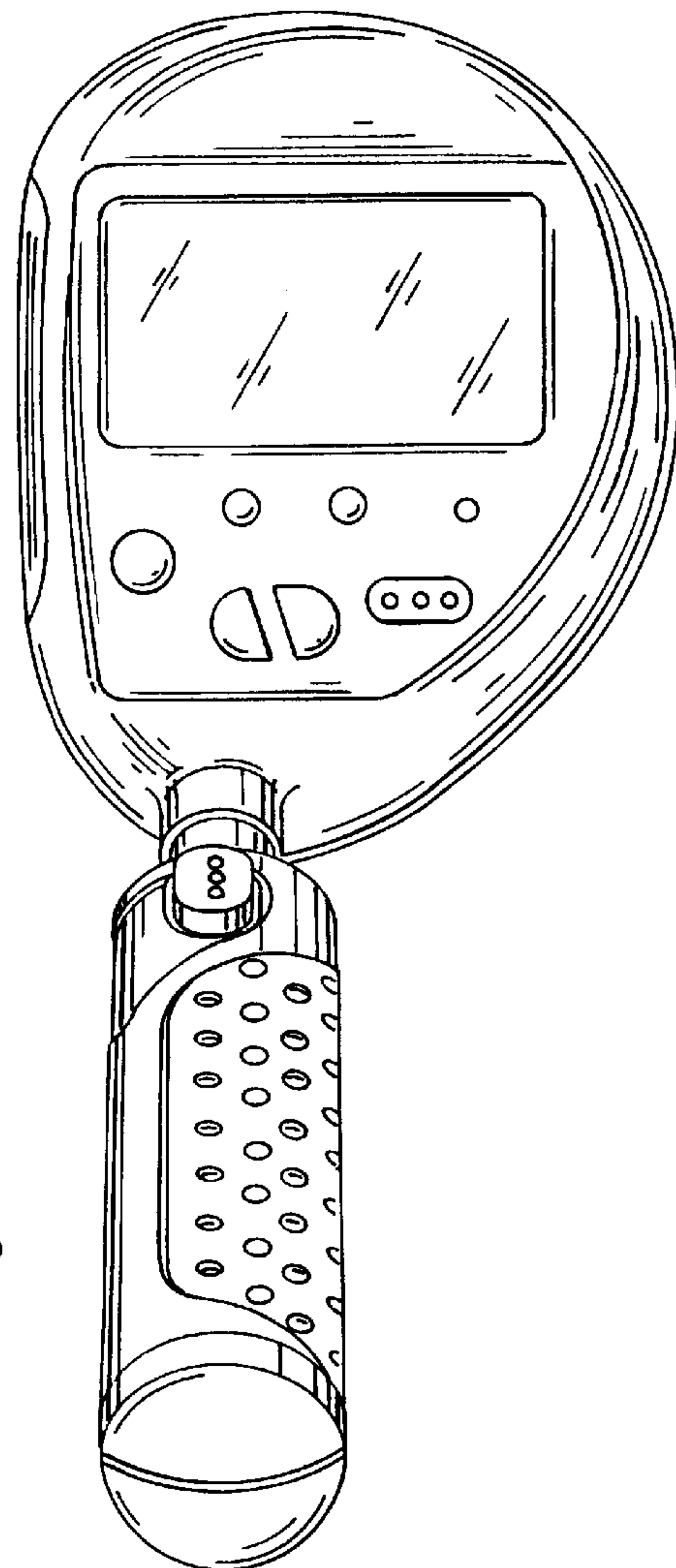


FIG. 6

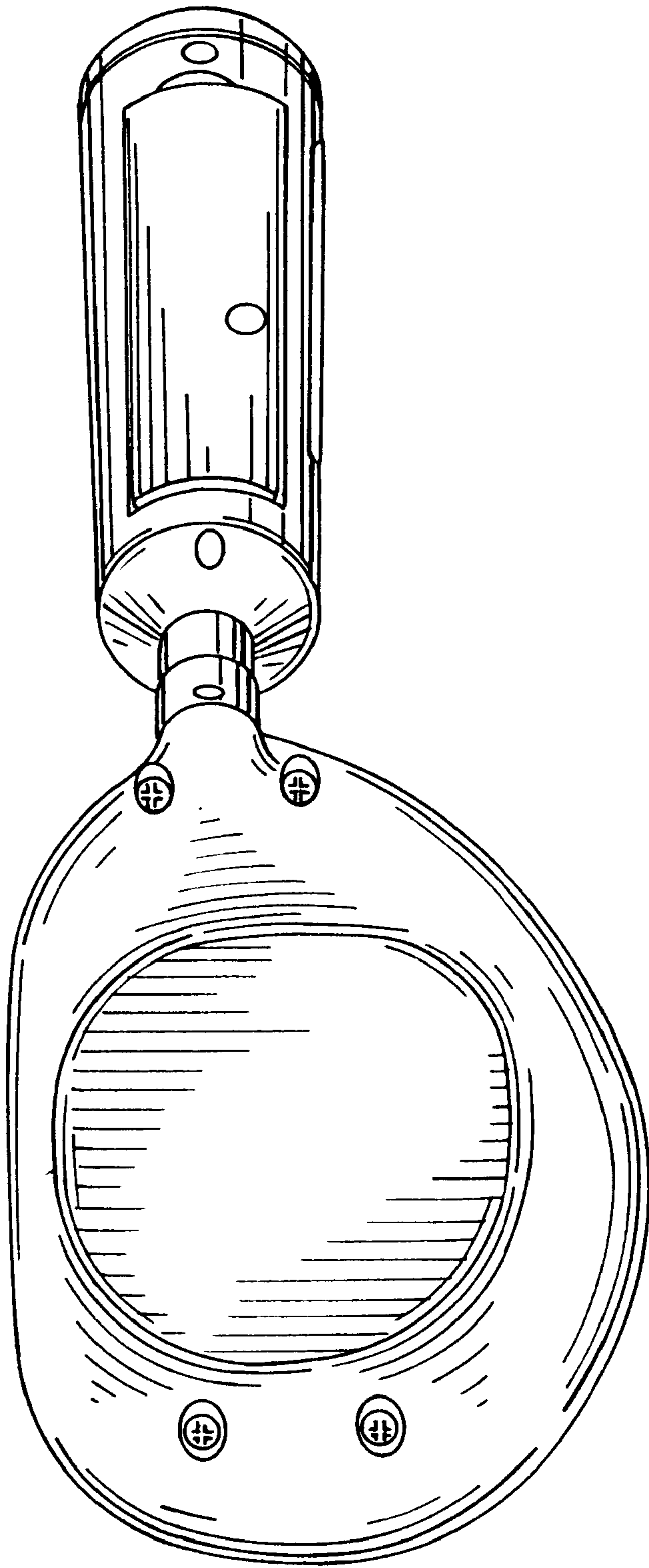


FIG. 7