



US00D413357S

United States Patent [19]
Hsieh

[11] **Patent Number: Des. 413,357**

[45] **Date of Patent: ** Aug. 31, 1999**

[54] **STRIDING EXERCISER**

5,605,521 2/1997 Hsieh 482/51
5,643,140 7/1997 Tsai 482/51

[75] Inventor: **Yi Fong Hsieh**, Succasunna, N.J.

Primary Examiner—Philip S. Hyder
Attorney, Agent, or Firm—David L. Davis

[73] Assignee: **LifeGear, Inc.**, Rockaway Township, N.J.

[**] Term: **14 Years**

[57] **CLAIM**

The ornamental design for a striding exerciser, as shown and described.

[21] Appl. No.: **29/067,983**

DESCRIPTION

[22] Filed: **Mar. 14, 1997**

[51] **LOC (6) Cl.** **21-02**

[52] **U.S. Cl.** **D21/191**

[58] **Field of Search** D21/191, 192,
D21/193, 194, 195; 482/51, 52, 53, 66,
70

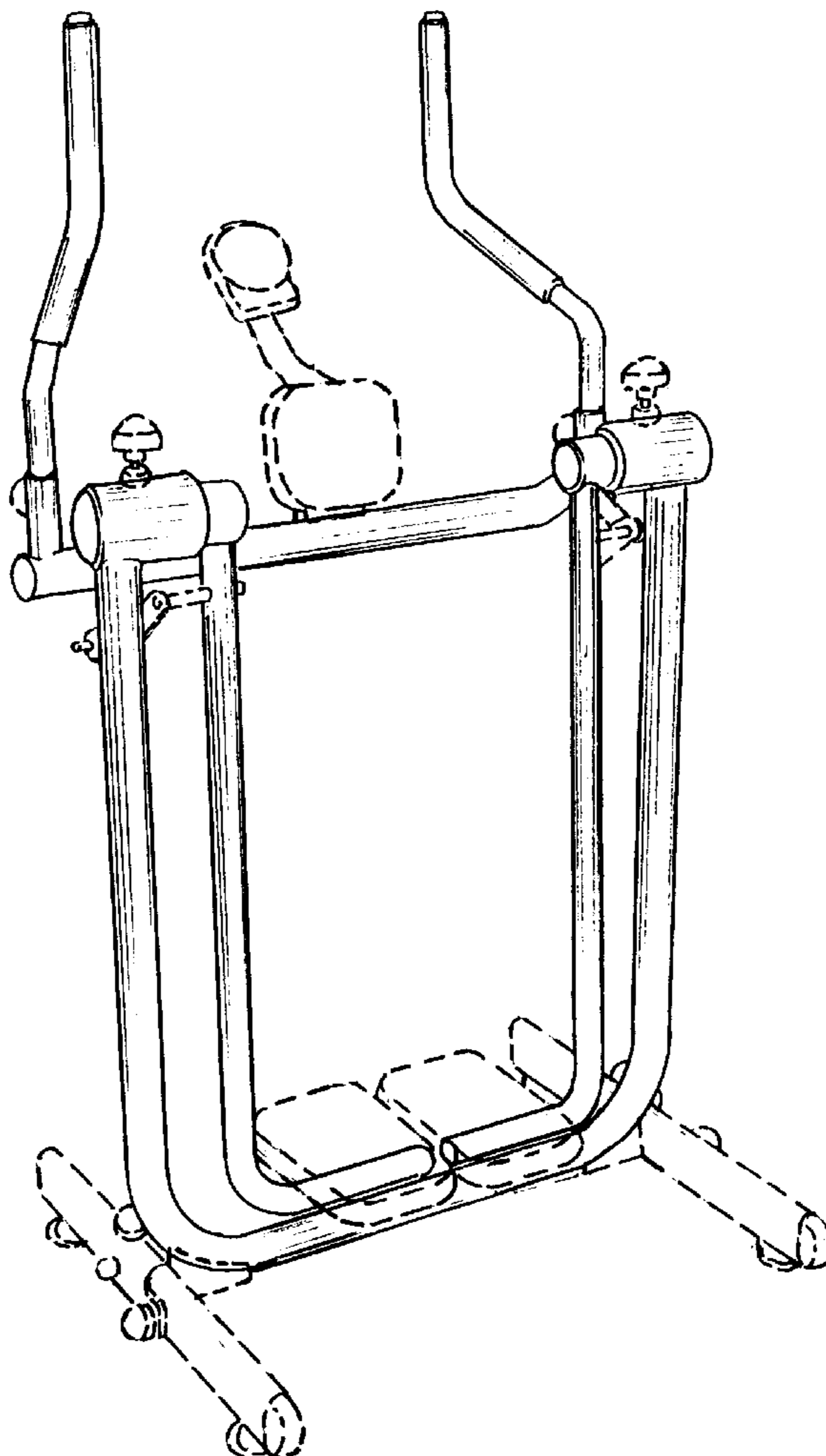
FIG. 1 is a top, front and left side perspective view of a striding exerciser showing my new design; FIG. 2 is a front elevational view thereof; FIG. 3 is a rear elevational view thereof; FIG. 4 is a right side elevational view thereof, the left side elevational view being a mirror image; FIG. 5 is a top plan view thereof; FIG. 6 is a top, rear and right side perspective view thereof; and, FIG. 7 is a top, front and left side perspective view thereof showing the exerciser in an alternate position. The broken lines shown in FIGS. 1-7 represent environment only and form no part of the claimed design.

[56] **References Cited**

U.S. PATENT DOCUMENTS

D. 378,841	4/1997	Huang	D21/191
5,419,747	5/1995	Piaget et al.	482/51
5,584,780	12/1996	Lin	482/51
5,584,781	12/1996	Chen	482/51
5,603,675	2/1997	Wu	482/51

1 Claim, 7 Drawing Sheets



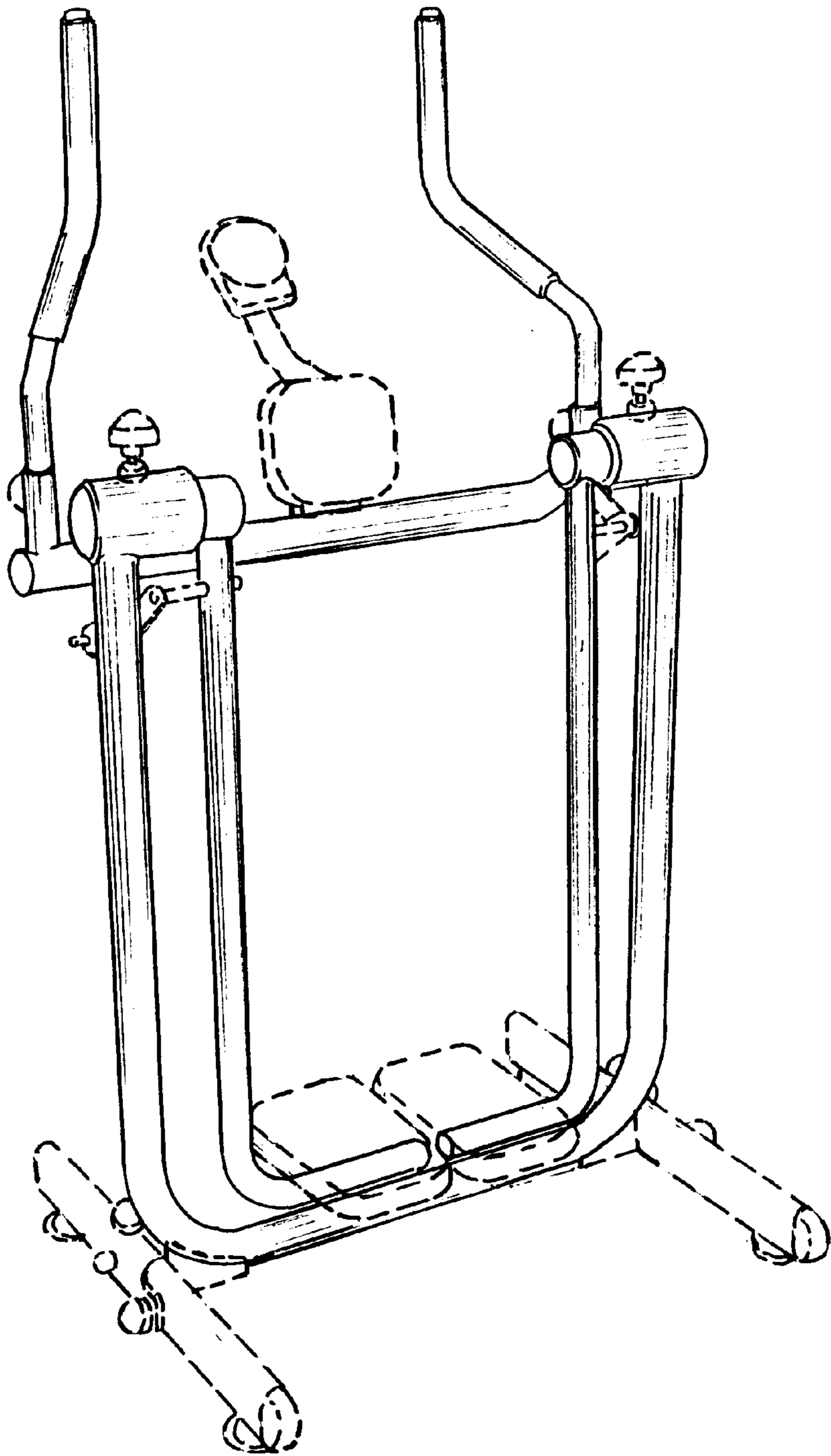


FIG. 1

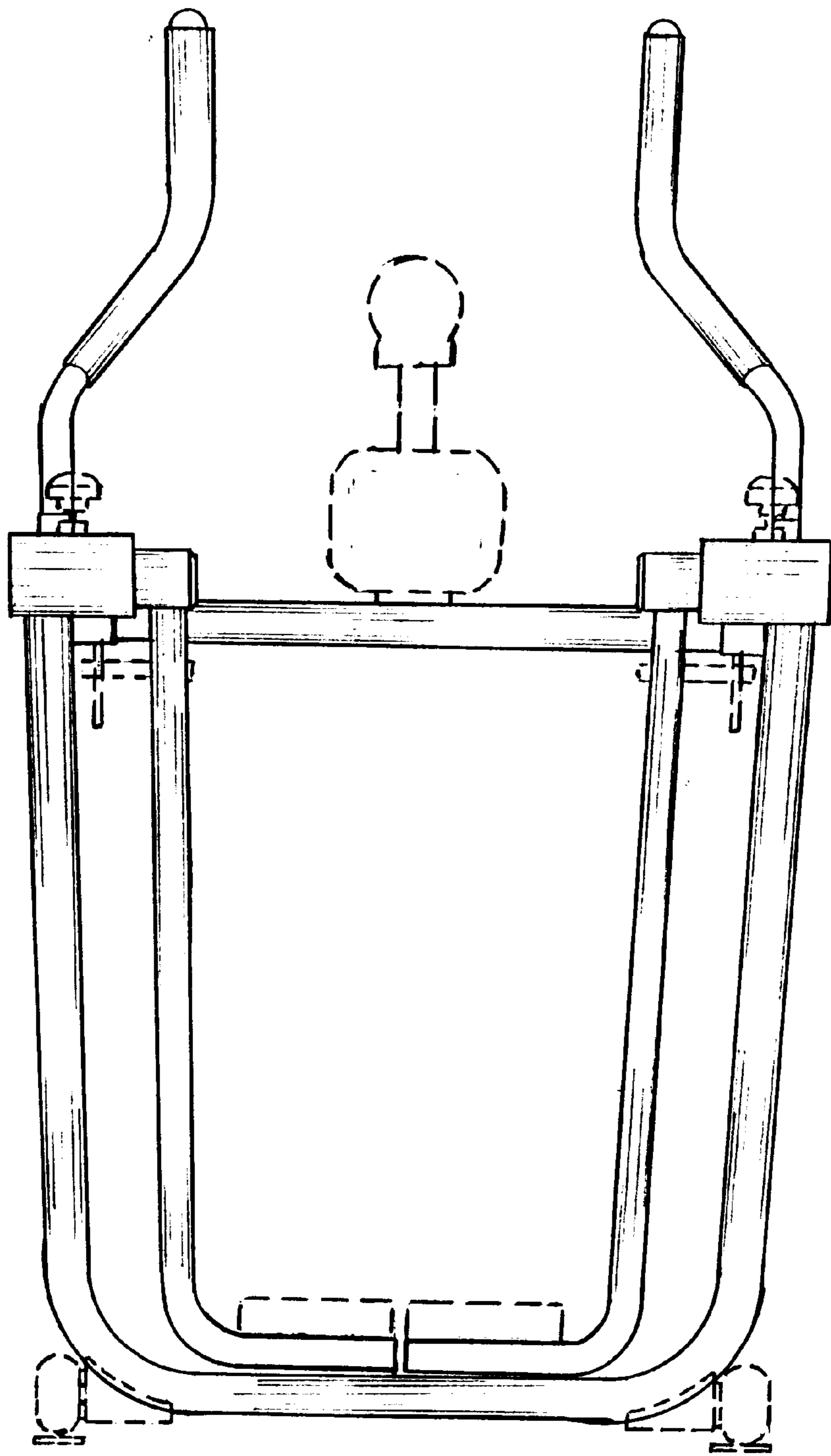


FIG. 2

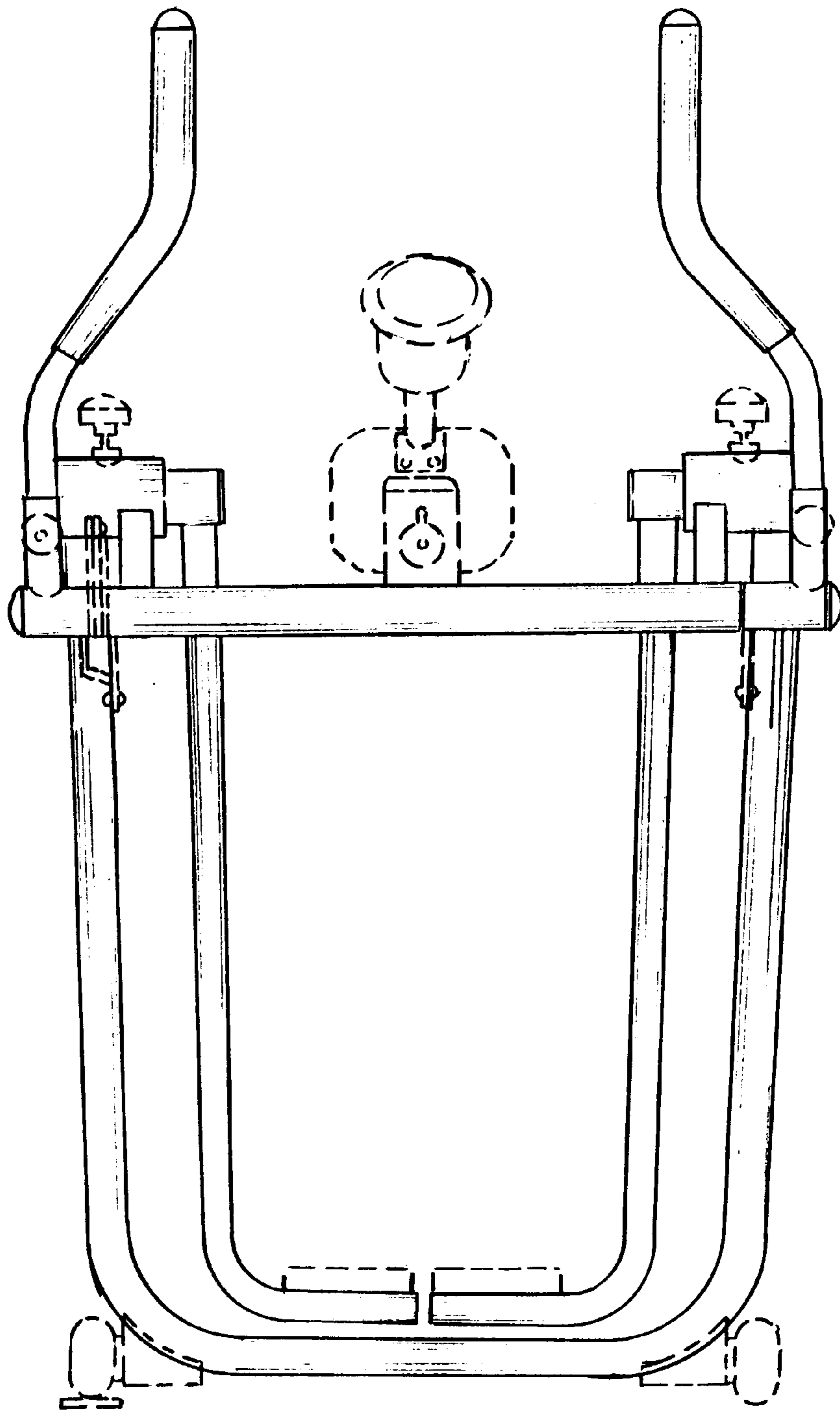


FIG. 3

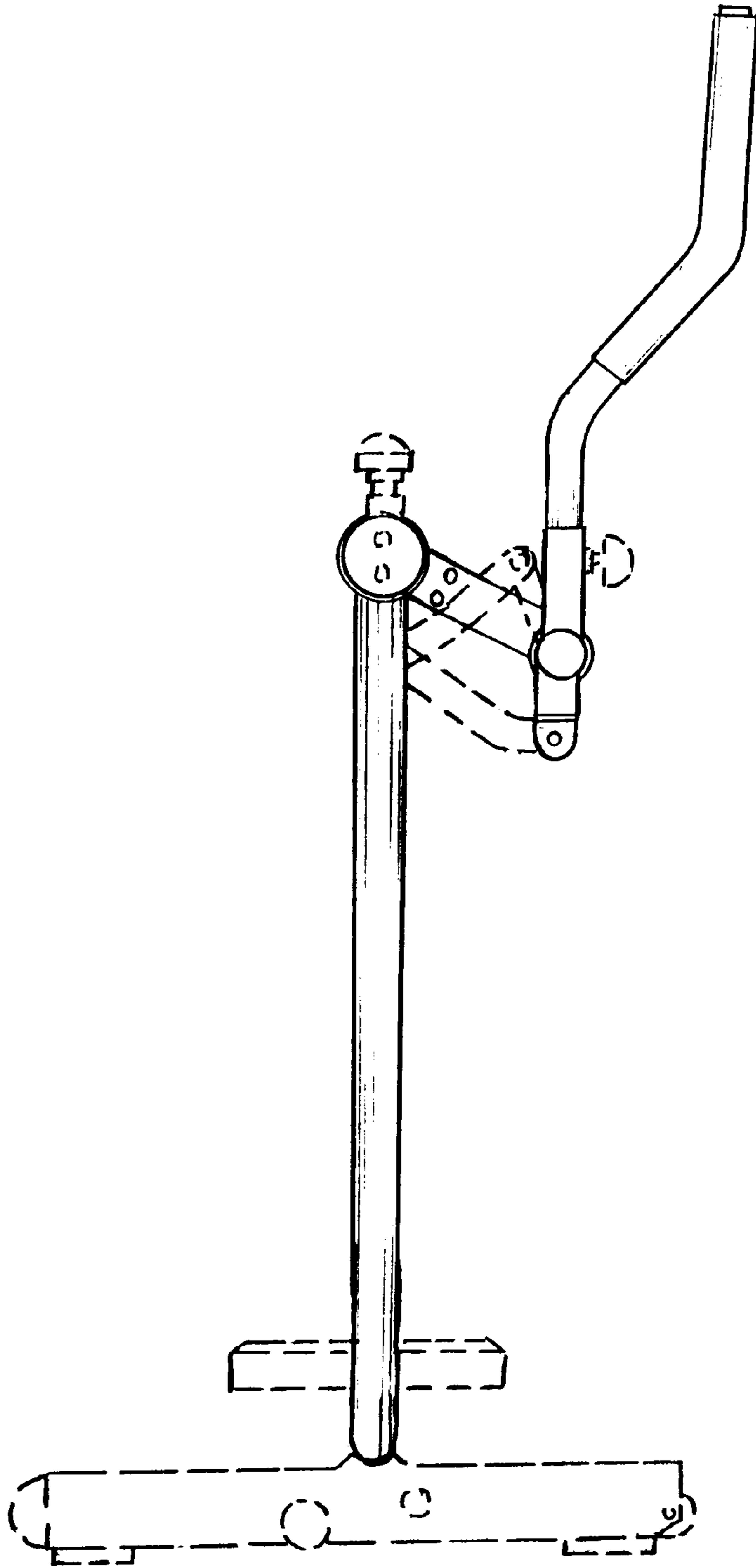


FIG. 4

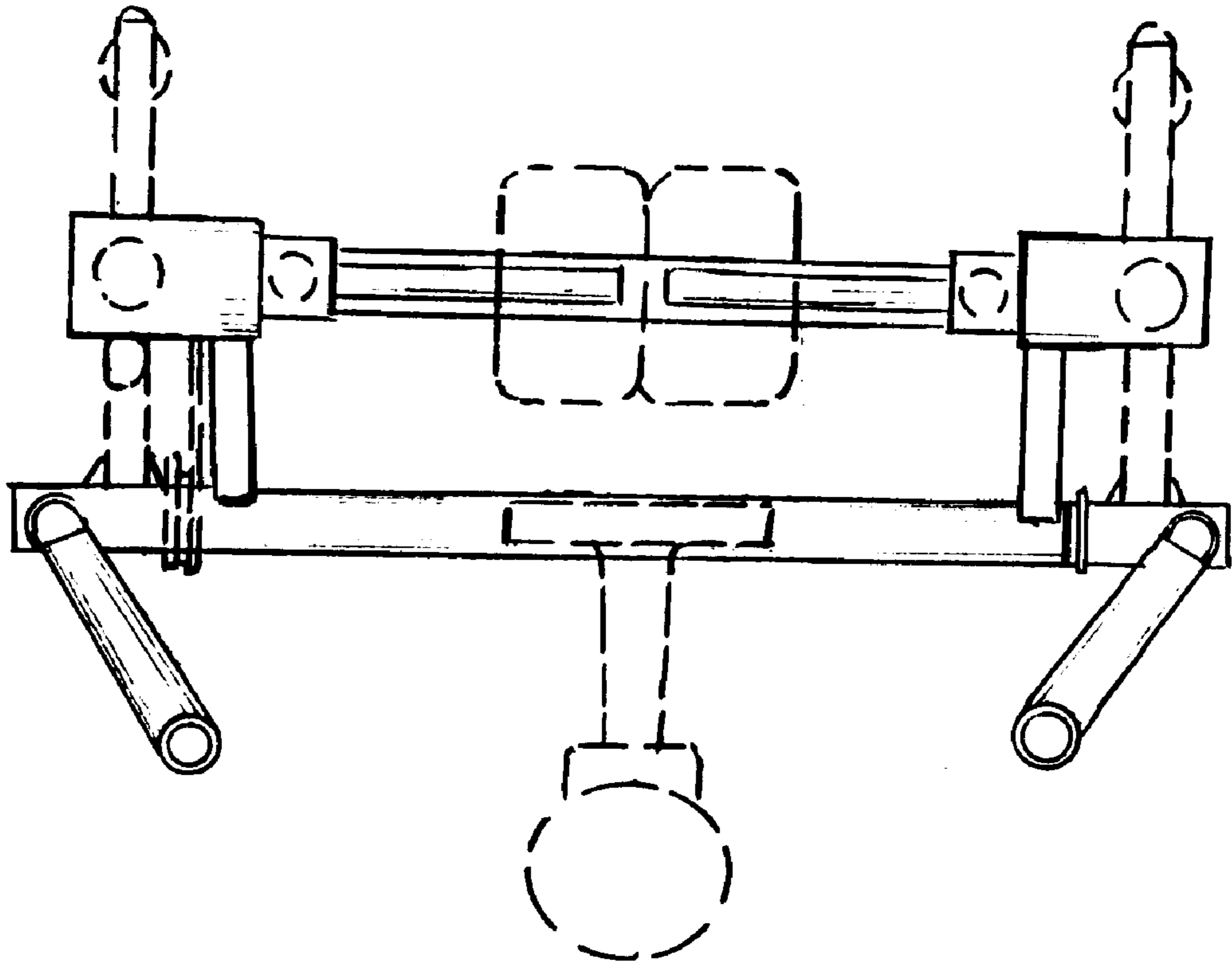


FIG. 5

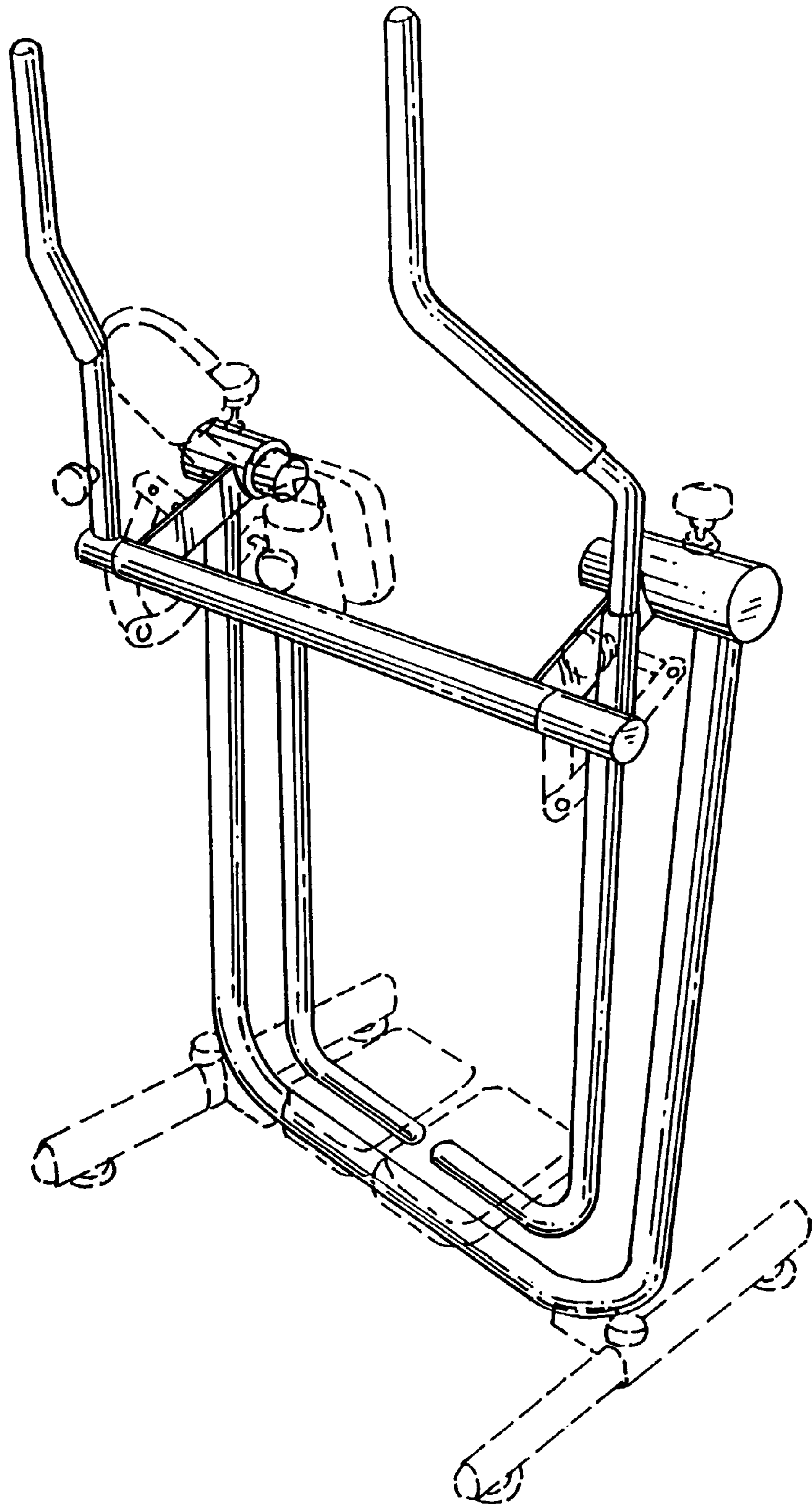


FIG. 6

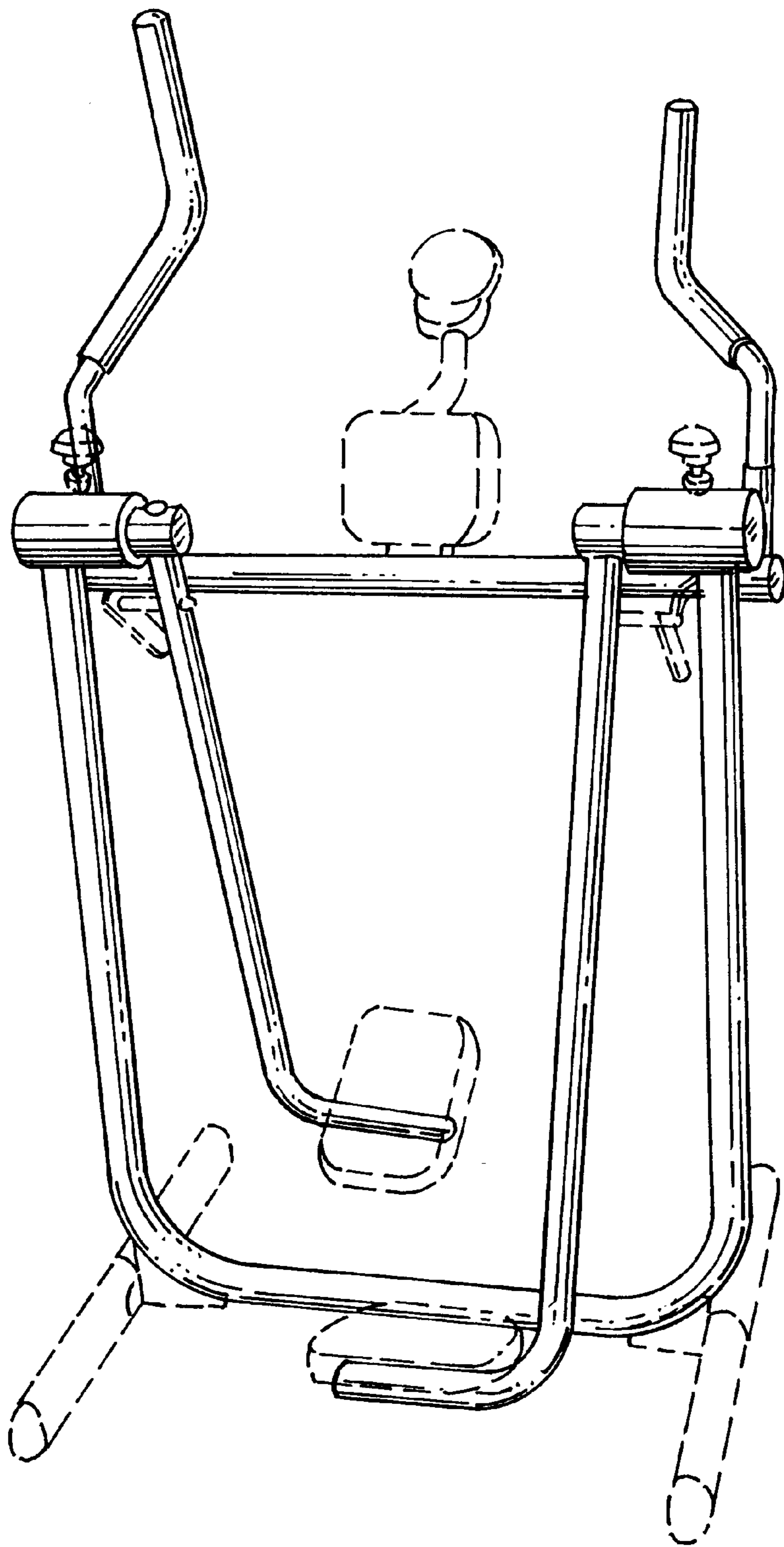


FIG. 7