



US00D413355S

United States Patent [19]
Cogliano

[11] **Patent Number: Des. 413,355**

[45] **Date of Patent: ** Aug. 31, 1999**

[54] **SEQUENCE LEARNING TOY**

[76] Inventor: **Mary Ann Cogliano**, 5565 St. Francis Cir., Loomis, Calif. 95650

[**] Term: **14 Years**

[21] Appl. No.: **29/100,396**

[22] Filed: **Feb. 10, 1999**

[51] **LOC (6) Cl.** **19-07**

[52] **U.S. Cl.** **D19/62; D19/59; D21/650**

[58] **Field of Search** D19/35, 36, 59, D19/60, 62, 64; D21/65; 434/81, 86, 98, 159, 188, 191, 207; 446/117-120, 177, 268, 269, 361, 431, 491; D26/149

[56] **References Cited**

U.S. PATENT DOCUMENTS

D. 154,739	8/1949	Bersudsky	D19/59	X
D. 164,549	9/1951	Brice	D21/650	X
D. 206,531	12/1966	Raiford	D21/650	X
D. 234,798	4/1975	Johnstone	D26/149	
D. 247,259	2/1978	Yonezawa	D21/650	X

2,728,168	12/1955	Gier	446/177
2,853,831	9/1958	Bischoff	446/361
4,509,920	4/1985	Kaufmann	434/159

Primary Examiner—Martie K. Holtje
Attorney, Agent, or Firm—Hoffman, Wasson & Gitler

[57] **CLAIM**

The ornamental design for a sequence learning toy, as shown and described.

DESCRIPTION

FIG. 1 is a perspective view of the sequence learning toy in accordance with the present invention:

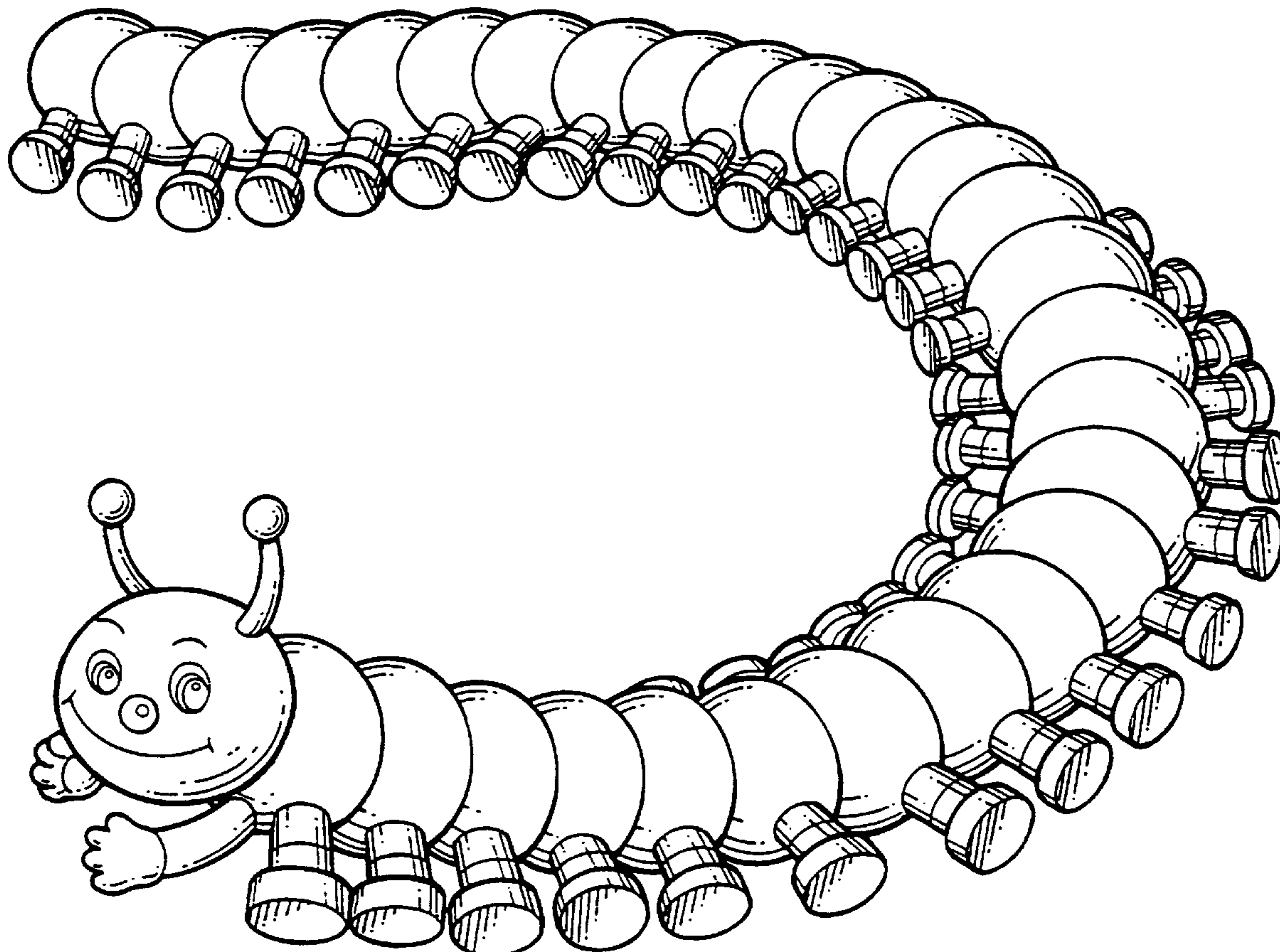
FIG. 2 is a top plan view of the sequence learning toy:

FIG. 3 is a left side elevation view of the sequence learning toy; and,

FIG. 4 is a right side elevation view of the sequence learning toy.

The claimed article has been shown and drawn to an enlarged scale in FIGS. 2 through 4, with a portion thereof broken away, for the purpose of clarity of illustration.

1 Claim, 4 Drawing Sheets



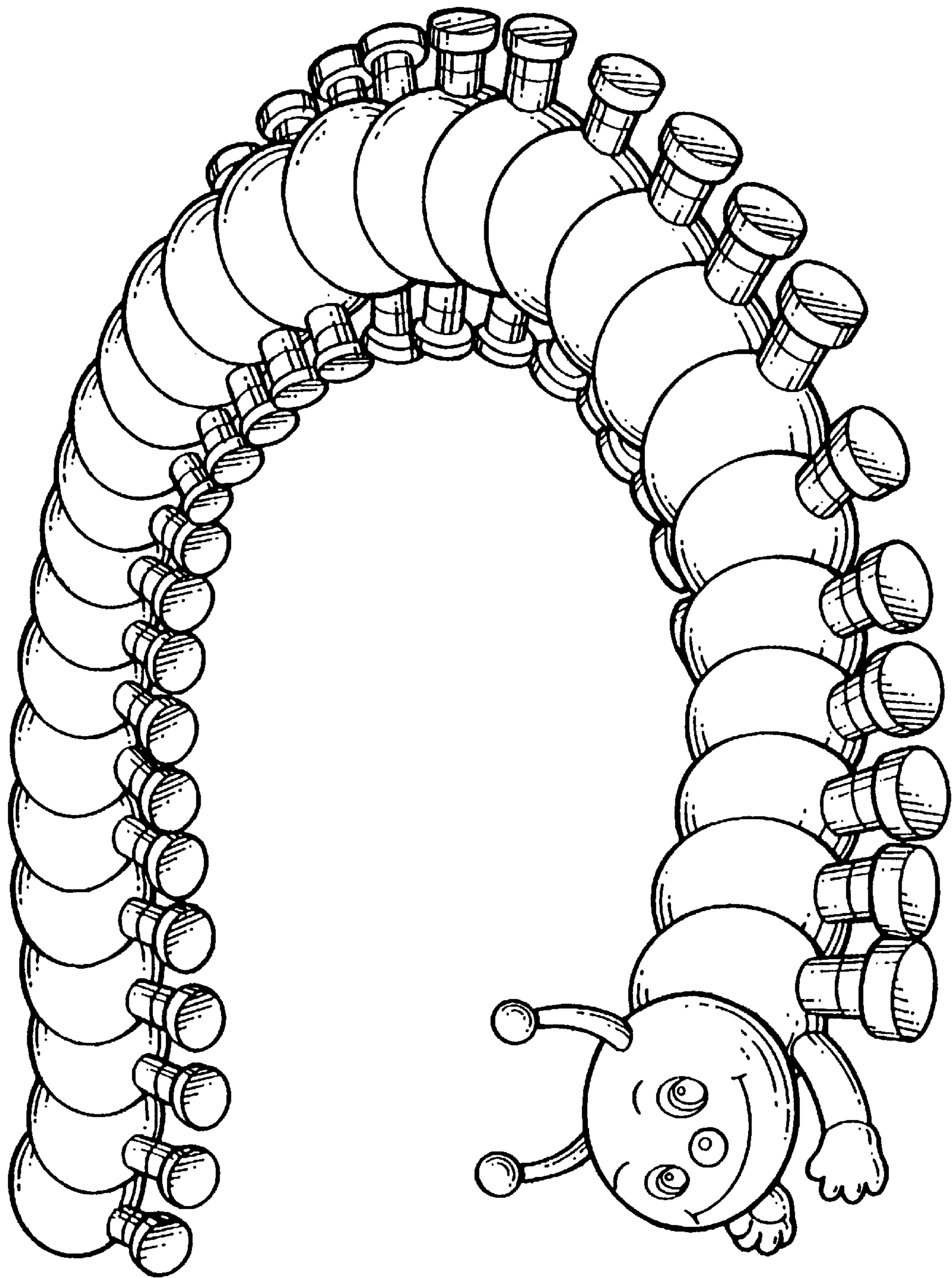


FIG. 1

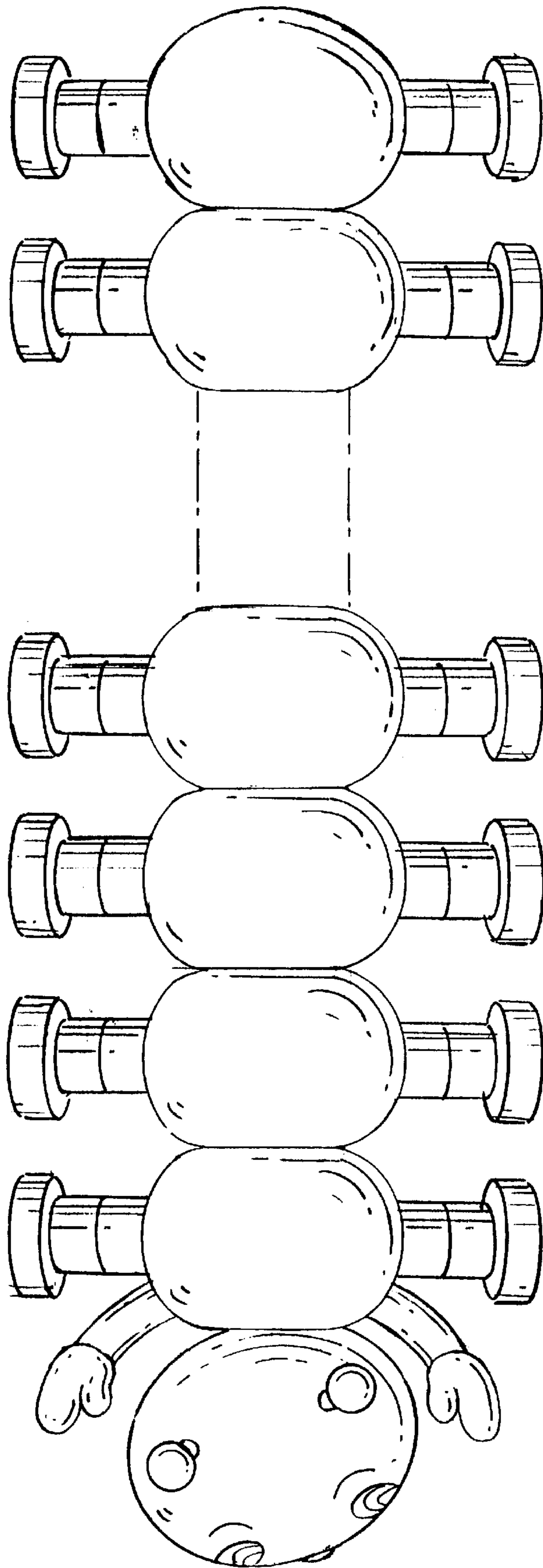


FIG. 2

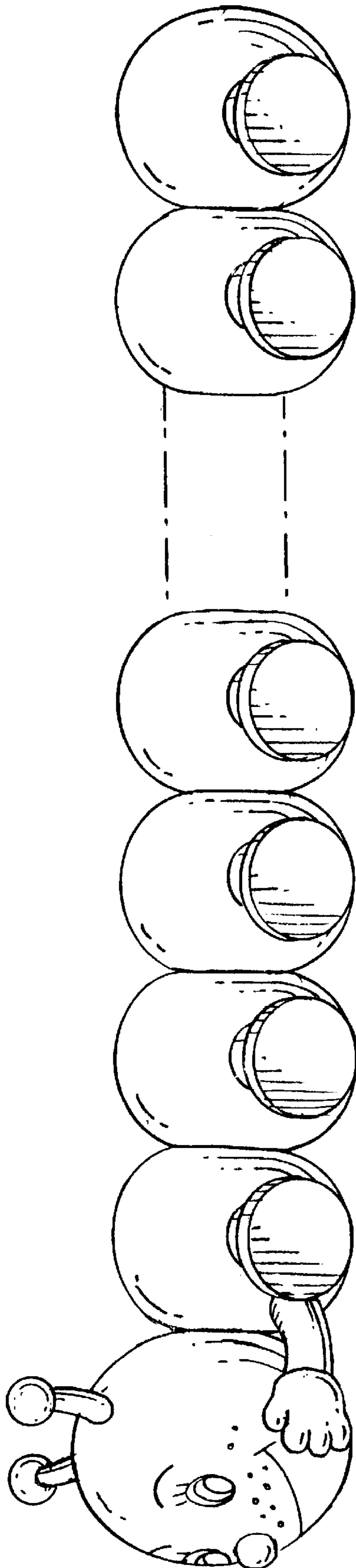


FIG. 3

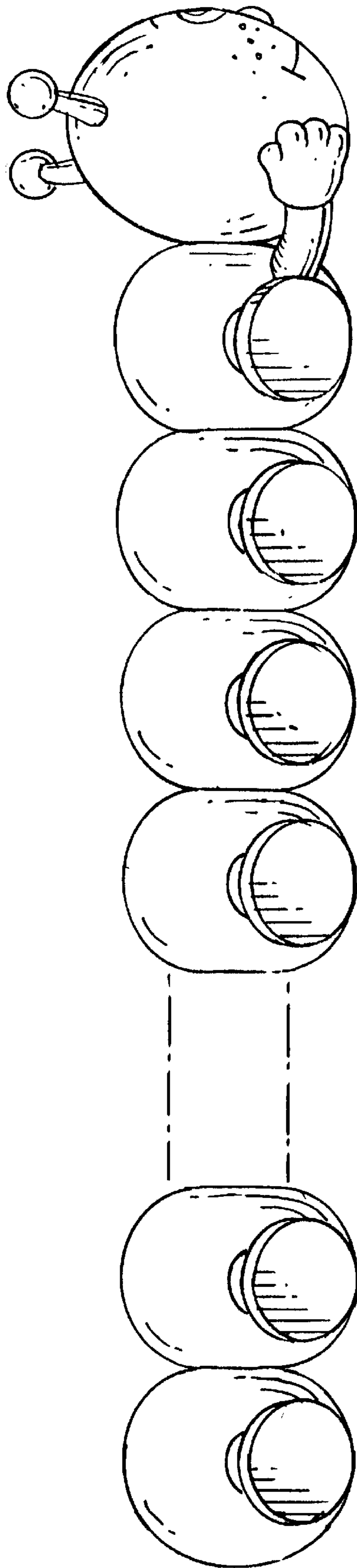


FIG. 4