



US00D413354S

United States Patent [19]

Weber et al.

[11] Patent Number: Des. 413,354

[45] Date of Patent: ** Aug. 31, 1999

[54] **BOOK HOLDER AND BOOKS**

[75] Inventors: **Louis Weber**, Northfield; **Virginia O'Donnell**, Chicago, both of Ill.

[73] Assignee: **Publications International, Ltd.**, Lincolnwood, Ill.

[**] Term: **14 Years**

[21] Appl. No.: **29/090,860**

[22] Filed: **Jul. 17, 1998**

[51] **LOC (6) Cl.** **19-04**

[52] **U.S. Cl.** **D19/26**

[58] **Field of Search** D19/75, 35, 36, D19/26, 28, 32, 34.1, 34.2; 206/424, 308.3, 216, 232, 752; 281/3.1, 15.1, 16, 21.1, 29, 45, 51; D6/478, 479; D21/479; 446/122, 125, 85

[56] **References Cited**

U.S. PATENT DOCUMENTS

D. 206,336	11/1966	Wilson	D21/479
D. 334,599	4/1993	Burke	D21/479
D. 373,598	9/1996	Engel	D19/26
1,894,605	1/1933	Wright	446/122
1,930,347	10/1933	Meyer et al.	206/752
3,510,134	5/1970	Brooks et al.	446/85 X
4,674,632	6/1987	Friedman	206/424 X
4,927,318	5/1990	Hayden et al.	206/424 X
5,207,326	5/1993	Benach	206/424

Primary Examiner—Martie K. Holtje

Attorney, Agent, or Firm—Lerner, David, Littenberg, Krumholz & Mentlik, LLP

[57] **CLAIM**

The ornamental design for a book holder and books, as shown and described.

DESCRIPTION

FIG. 1 is a perspective view looking from above of a book holder and books showing our new design;

FIG. 2 is a front elevational view thereof, the rear elevational view being identical thereto;

FIG. 3 is a right side elevational view thereof the left side elevational view and the top and bottom plan views thereof being identical thereto;

FIG. 4 is a partially exploded perspective view thereof, similar to FIG. 1 but in which one set of the books has been removed for illustration, with two of such books illustrating in perspective the front, side, and top thereof and with the other of such books having been flipped and turned upside down to illustrate the other side, rear and bottom thereof, the design of each of the books being identical to one another and the design of each of the sets of books being identical to one another and being for placement in recesses in the book holder component;

FIG. 5 is a perspective view of the book holder component, similar to that shown FIG. 1 but in which the sets of books have been removed from the book holder component;

FIG. 6 is a front elevational view of the book holder component shown in FIG. 5, the rear elevational view being identical thereto and the right side elevational, left side elevational and top and bottom plan views of the book holder component being identical to that shown in FIG. 3;

FIG. 7 is a perspective view looking from above of an alternative embodiment of the book holder and books showing our new design, similar to the embodiment shown in FIG. 1 but in which sets of books are provided in only the front face of the book holder component, the front elevational view thereof being identical to that shown in FIG. 2 and the rear elevational, right side elevational, left side elevational and top and bottom plan views thereof being identical to that shown in FIG. 3;

FIG. 8 is a perspective view looking from above of another alternative embodiment of the book holder and books showing our new design, similar to that in FIG. 1 but in which sets of books are provided in the front, rear, right side and left side faces of the book holder component, the front elevational, rear elevational, right side elevational and left side elevational views thereof being identical to that shown in FIG. 2 and the top and bottom plan views thereof being identical to that shown in FIG. 3; and,

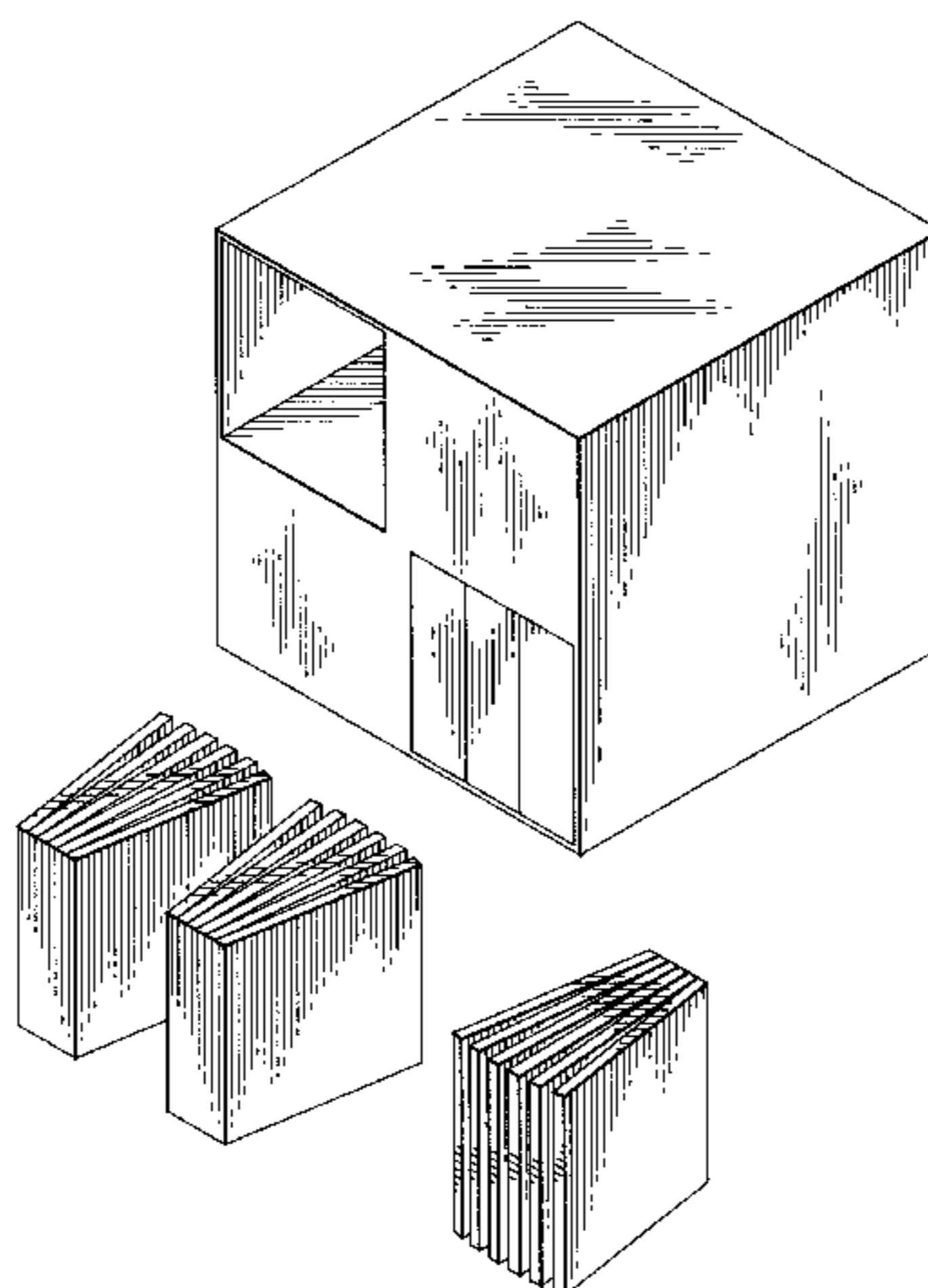


FIG. 9 is a perspective view looking from above of a further alternative embodiment of the book holder and books showing our new design, similar to that shown in FIG. 1 but in which sets of books are provided in only the front and right side faces of the book holder component, the front elevational view and right side elevational view thereof being identical to that shown in FIG. 2 and the rear elevational, left side elevational and top and bottom plan views thereof being identical to that shown in FIG. 3.

1 Claim, 5 Drawing Sheets

FIG. 1

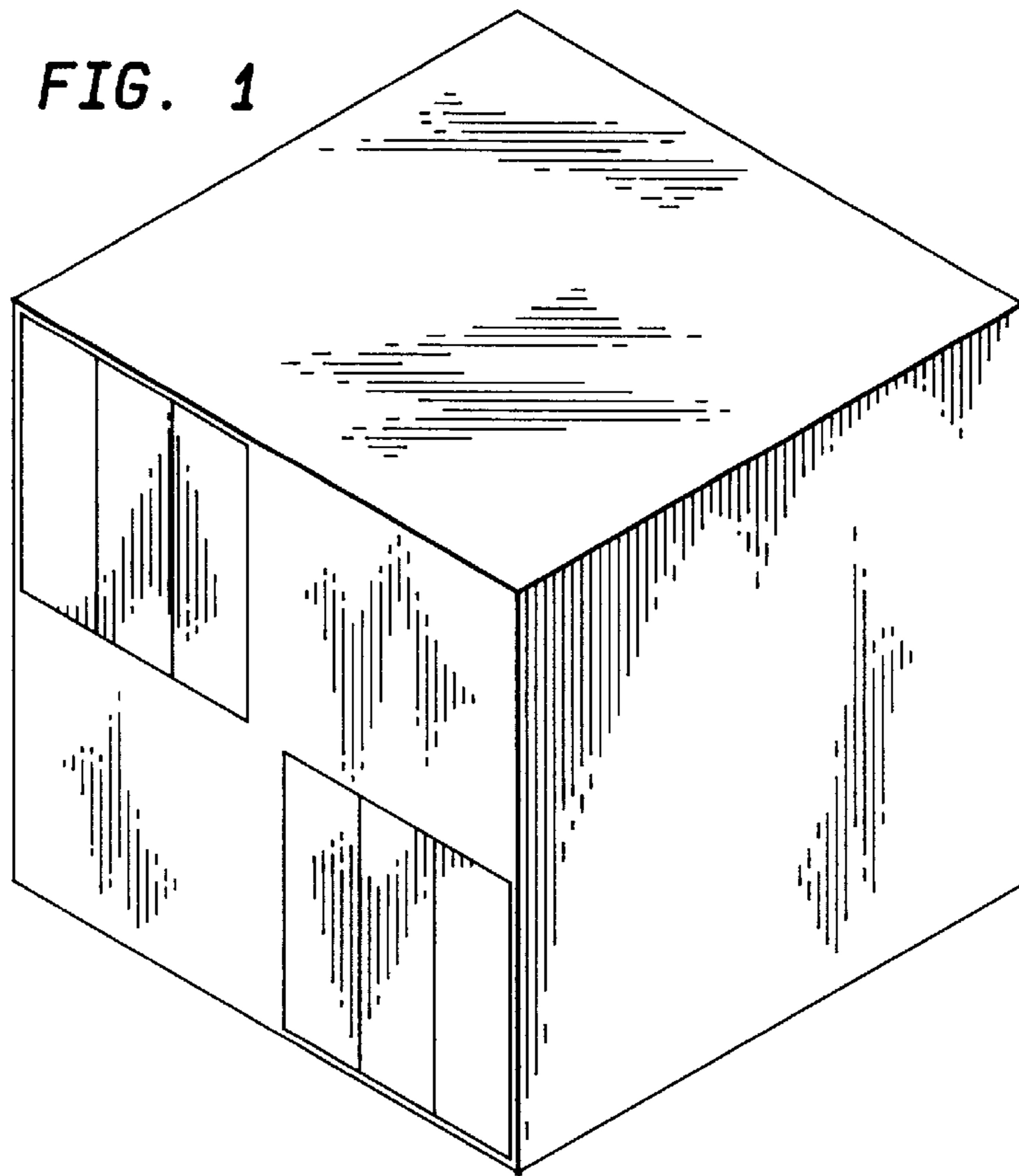


FIG. 2

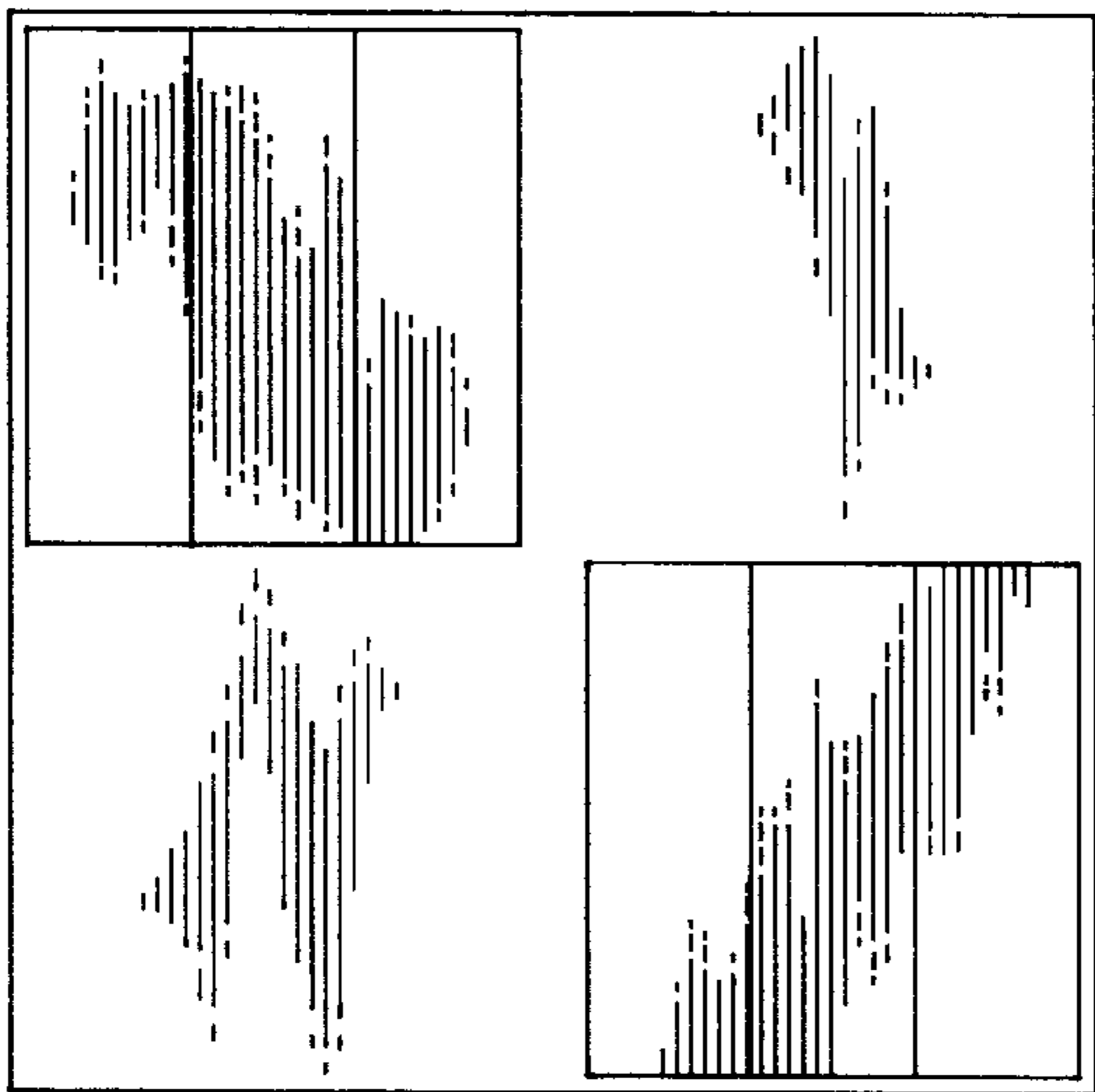


FIG. 3

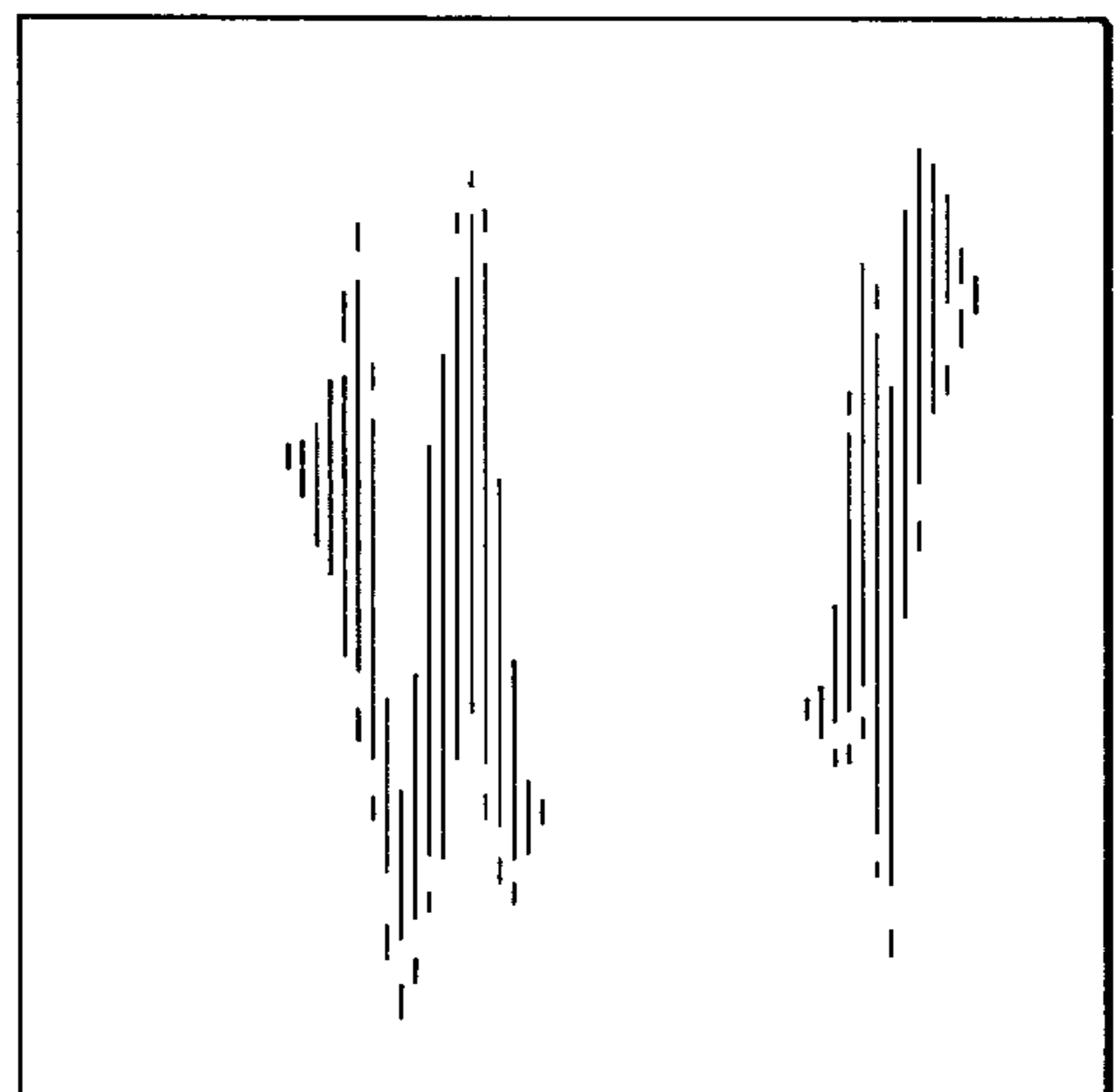


FIG. 4

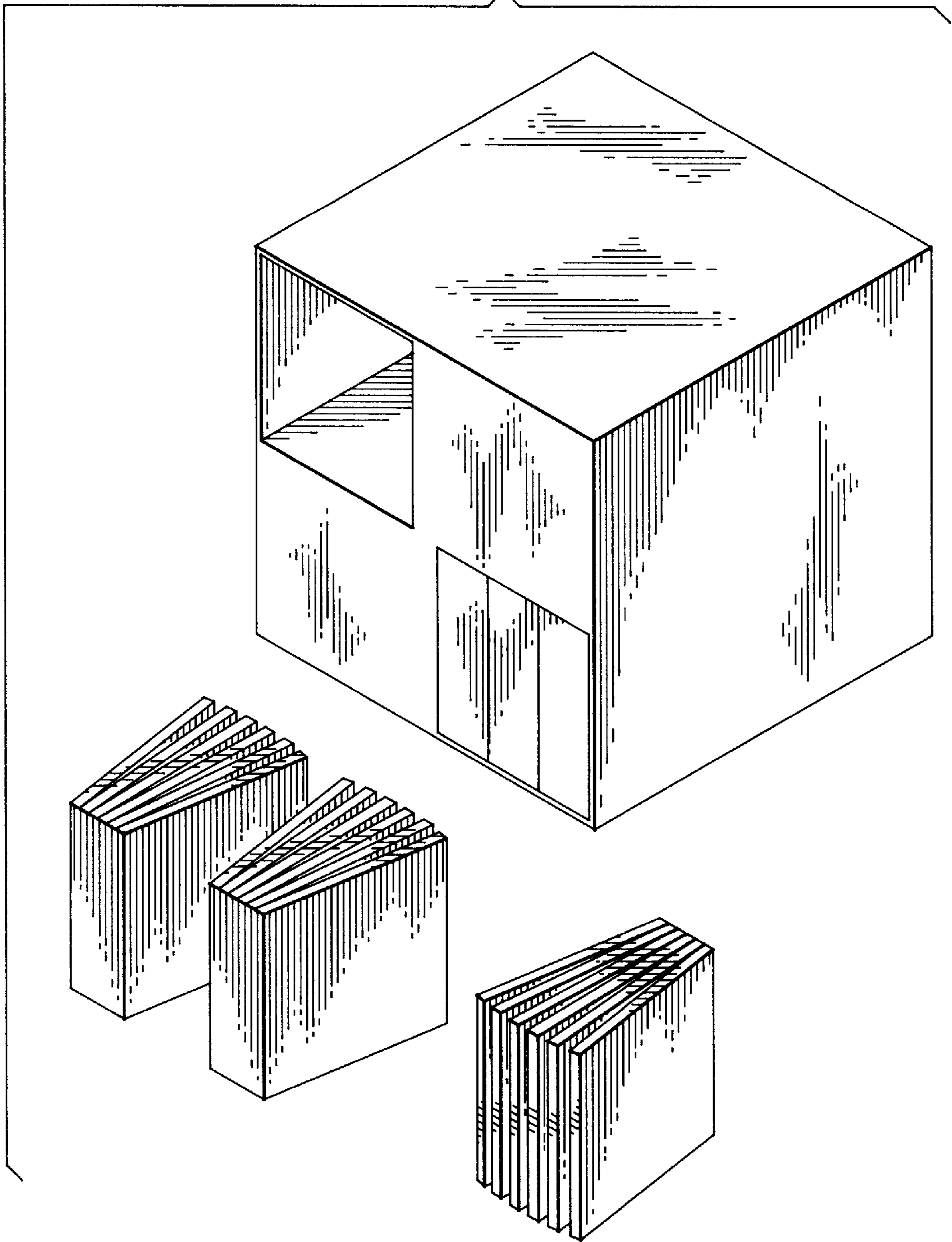


FIG. 5

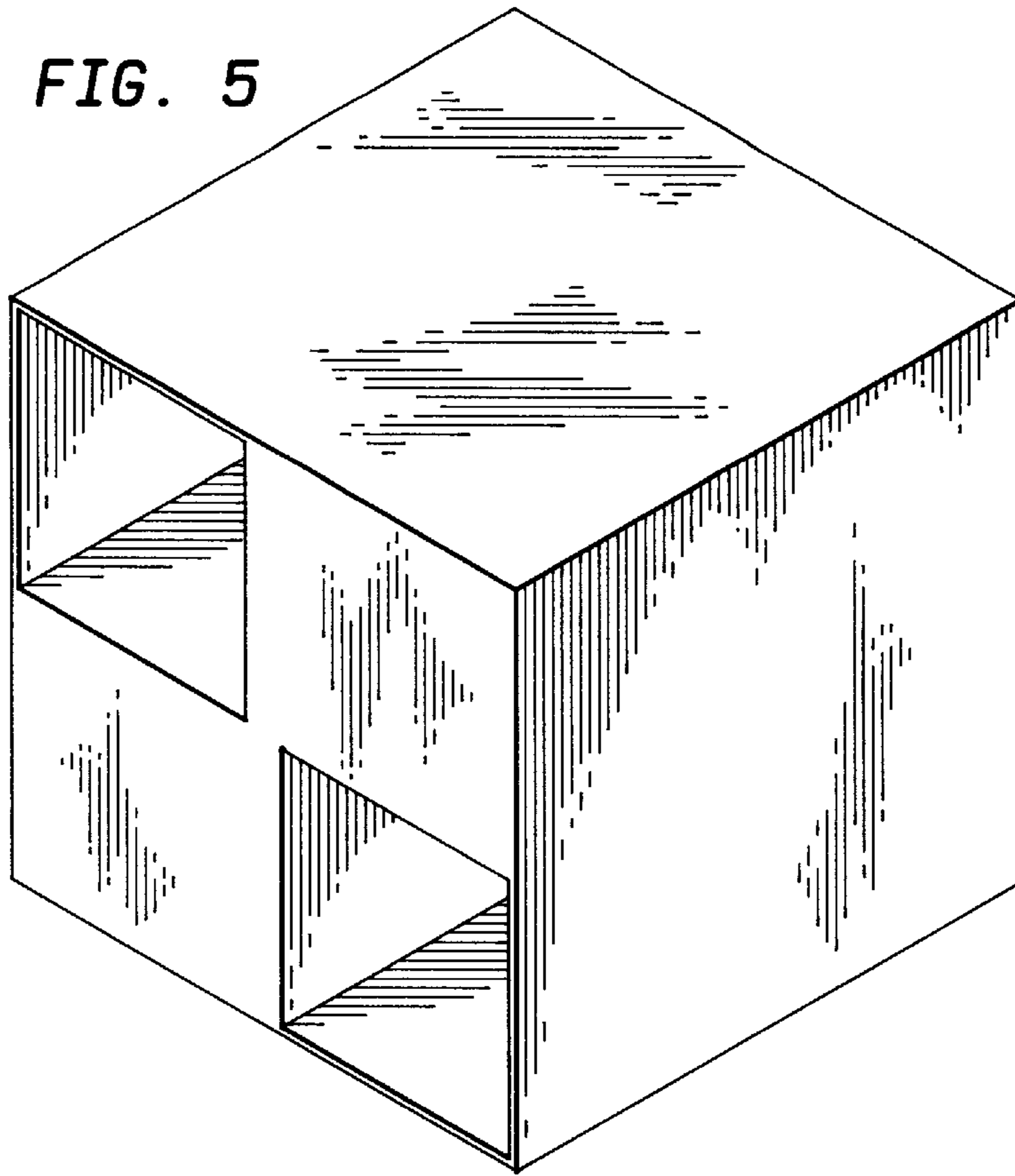


FIG. 6

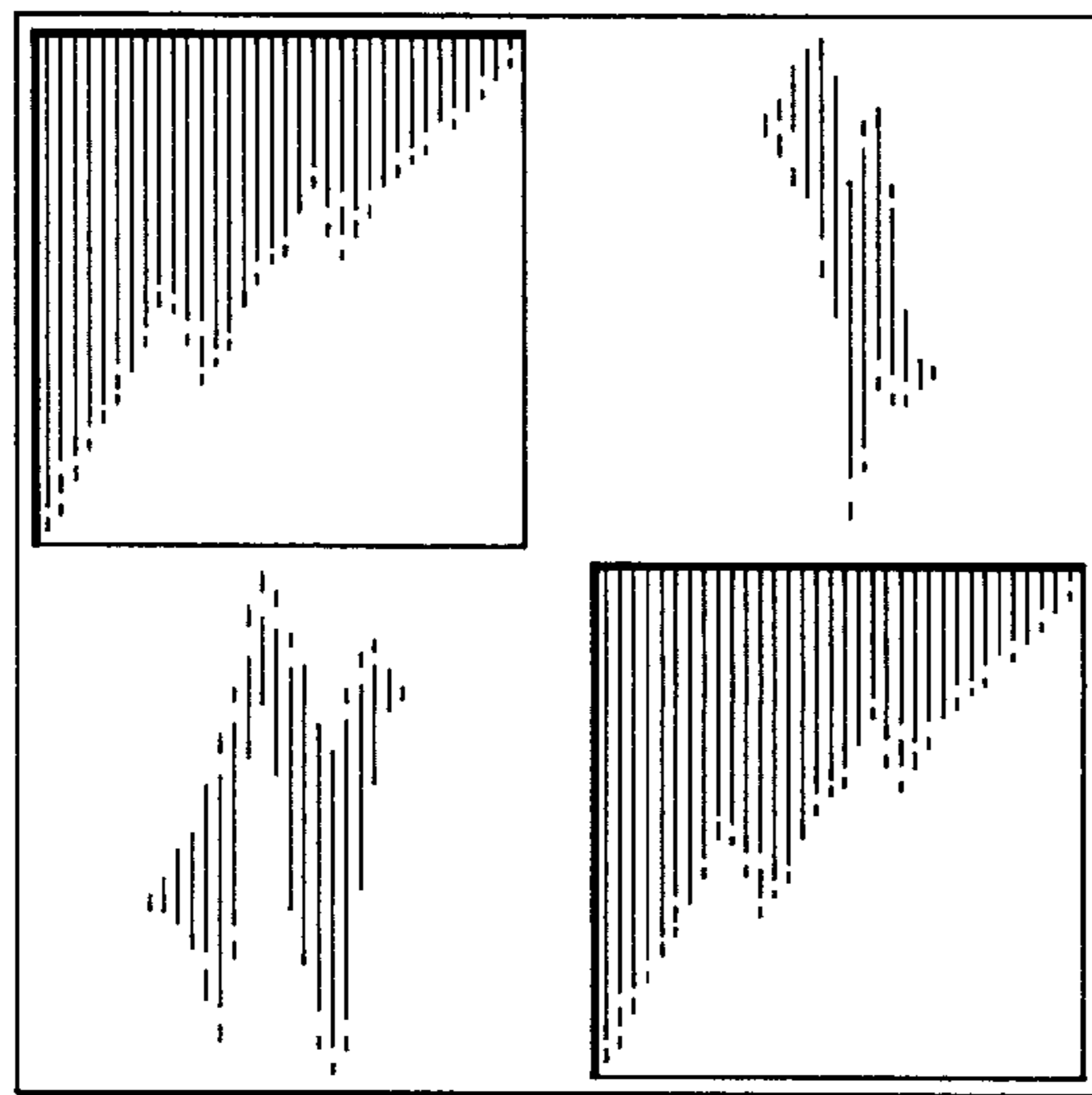


FIG. 7

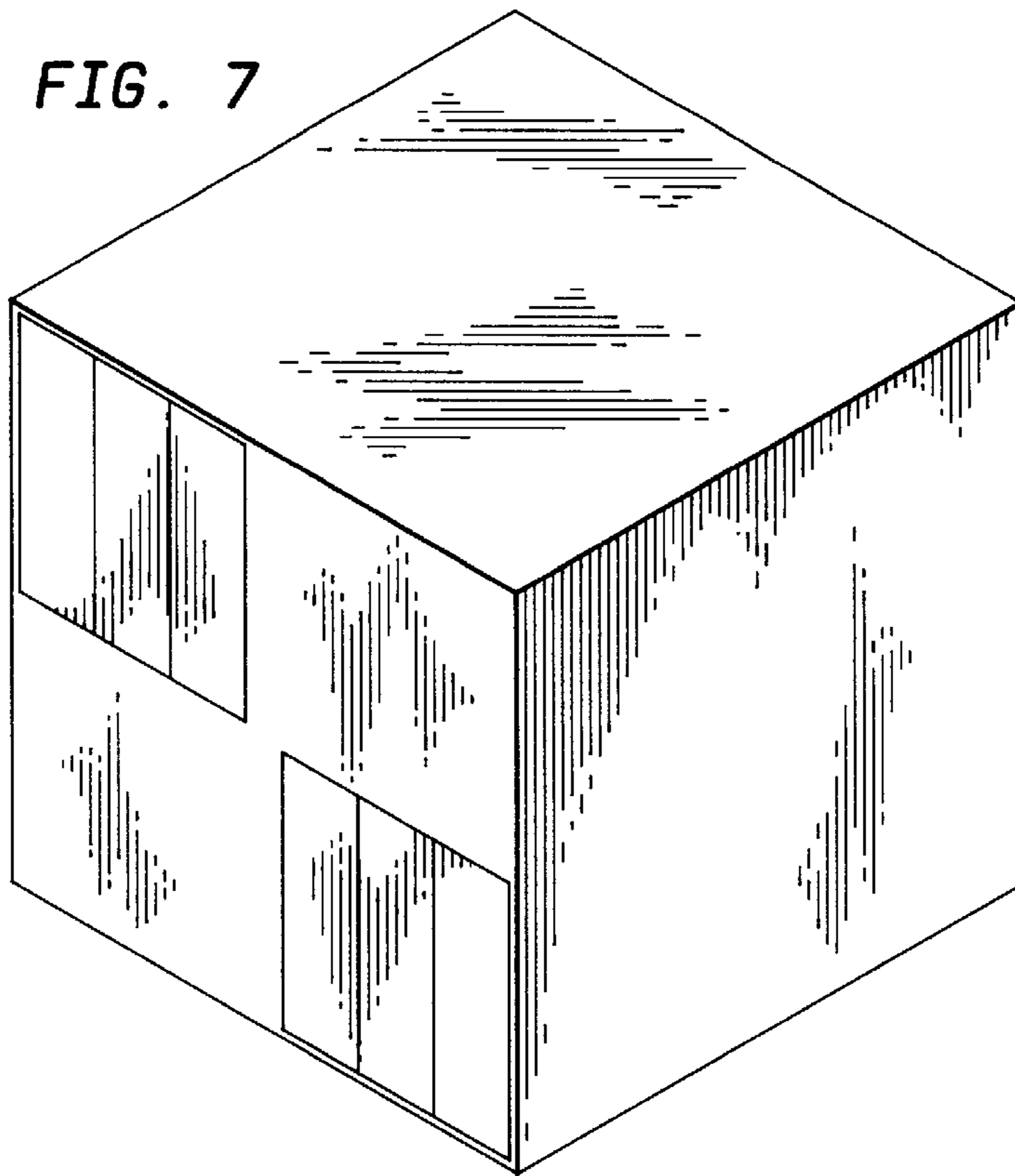


FIG. 8

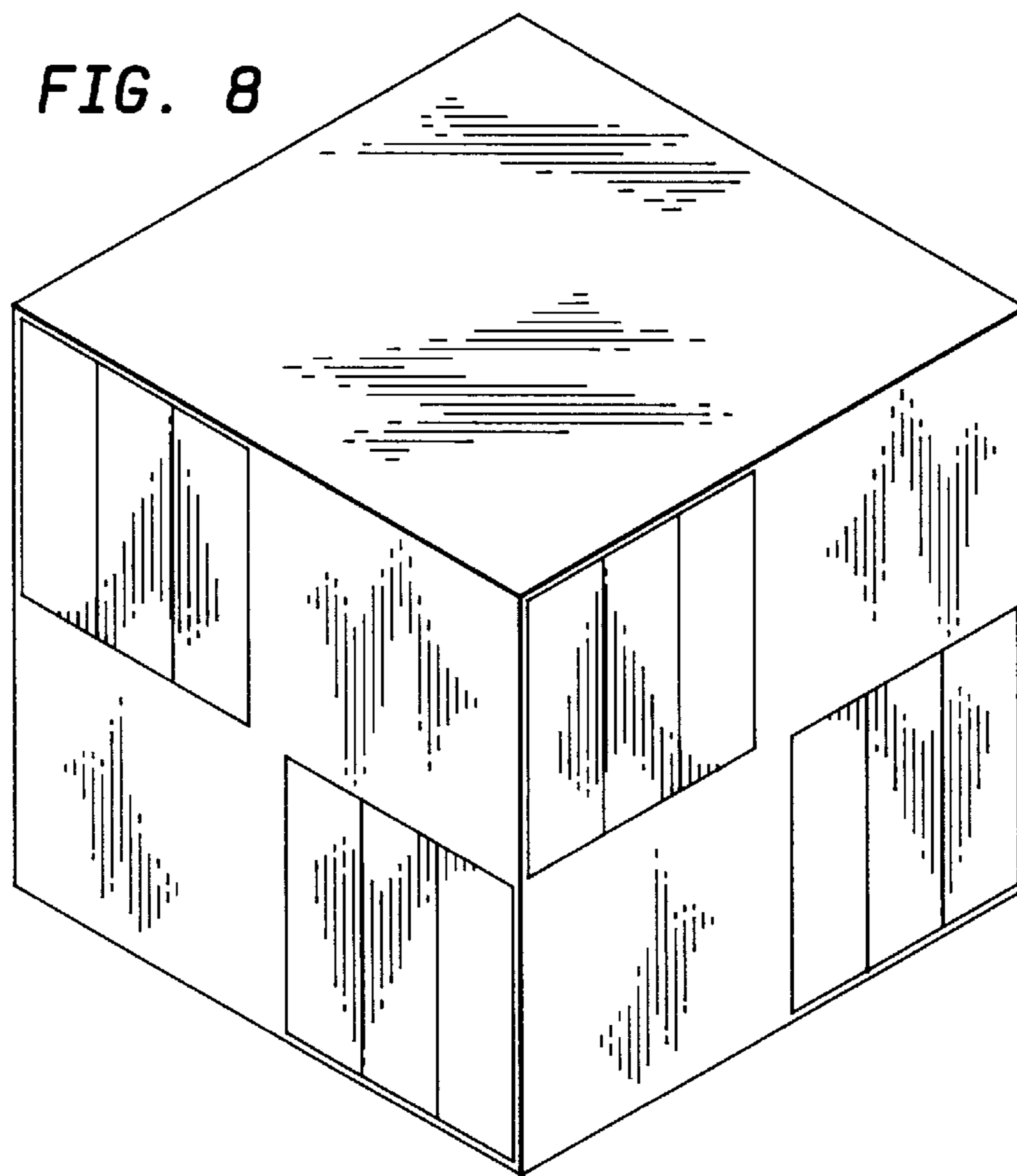


FIG. 9

