



US00D413350S

# United States Patent [19] Sanaka

[11] **Patent Number: Des. 413,350**

[45] **Date of Patent: \*\* Aug. 31, 1999**

[54] **PAPER FEEDER FOR PRINTER**

[75] Inventor: **Chikako Sanaka**, Yokohama, Japan

[73] Assignee: **Fuji Xerox Co., Ltd.**, Tokyo, Japan

[\*\*] Term: **14 Years**

[21] Appl. No.: **29/078,309**

[22] Filed: **Oct. 14, 1997**

[30] **Foreign Application Priority Data**

Apr. 16, 1997 [JP] Japan ..... 9-51264

[51] **LOC (6) Cl.** ..... **16-03**

[52] **U.S. Cl.** ..... **D18/44; D18/49**

[58] **Field of Search** ..... D18/36-40, 44,  
D18/46-49, 56; D14/100; 271/3.14, 3.03,  
8.1, 9.02; 399/16, 361, 367, 377, 393

[56] **References Cited**

**U.S. PATENT DOCUMENTS**

D. 319,258 8/1991 Katada ..... D18/44

D. 328,757 8/1992 Katada ..... D18/44  
D. 350,976 9/1994 Isomoto et al. .... D18/44

*Primary Examiner*—Caron D. Veynar  
*Attorney, Agent, or Firm*—Oliff & Berridge, PLC

[57] **CLAIM**

The ornamental design for a paper feeder for printer, as shown and described.

**DESCRIPTION**

FIG. 1 is a perspective view of the top, front and right side of a paper feeder for printer showing my new design; FIG. 2 is a front elevational view thereof; FIG. 3 is a rear elevational view thereof; FIG. 4 is a right side view thereof; FIG. 5 is a left side view thereof; FIG. 6 is a top plan view thereof; and, FIG. 7 is a bottom view thereof.

The broken line showings in FIGS. 1-7 are for illustrative purposes only and forms no part of the claimed design.

**1 Claim, 5 Drawing Sheets**

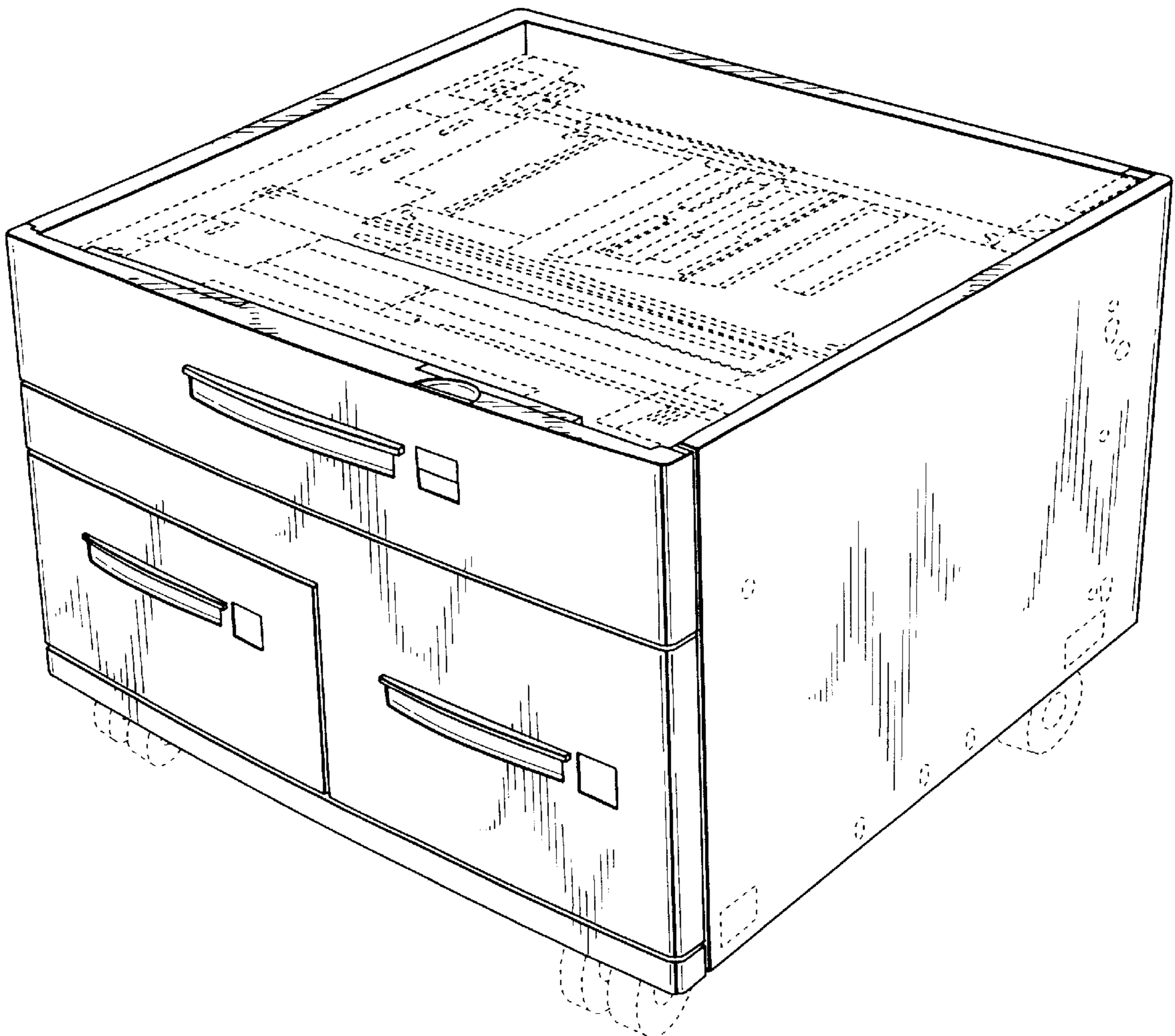


FIG. 1

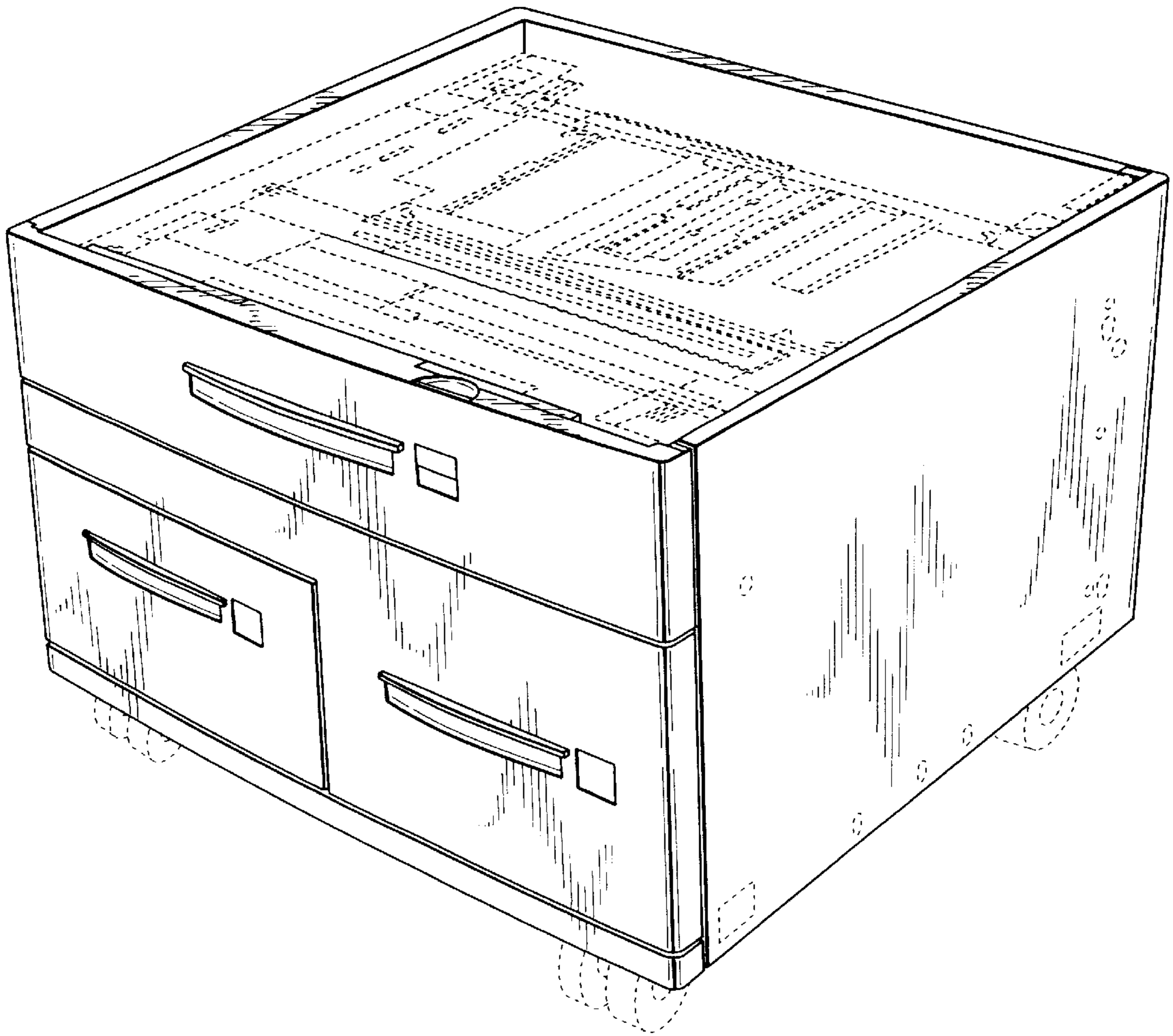


FIG. 2

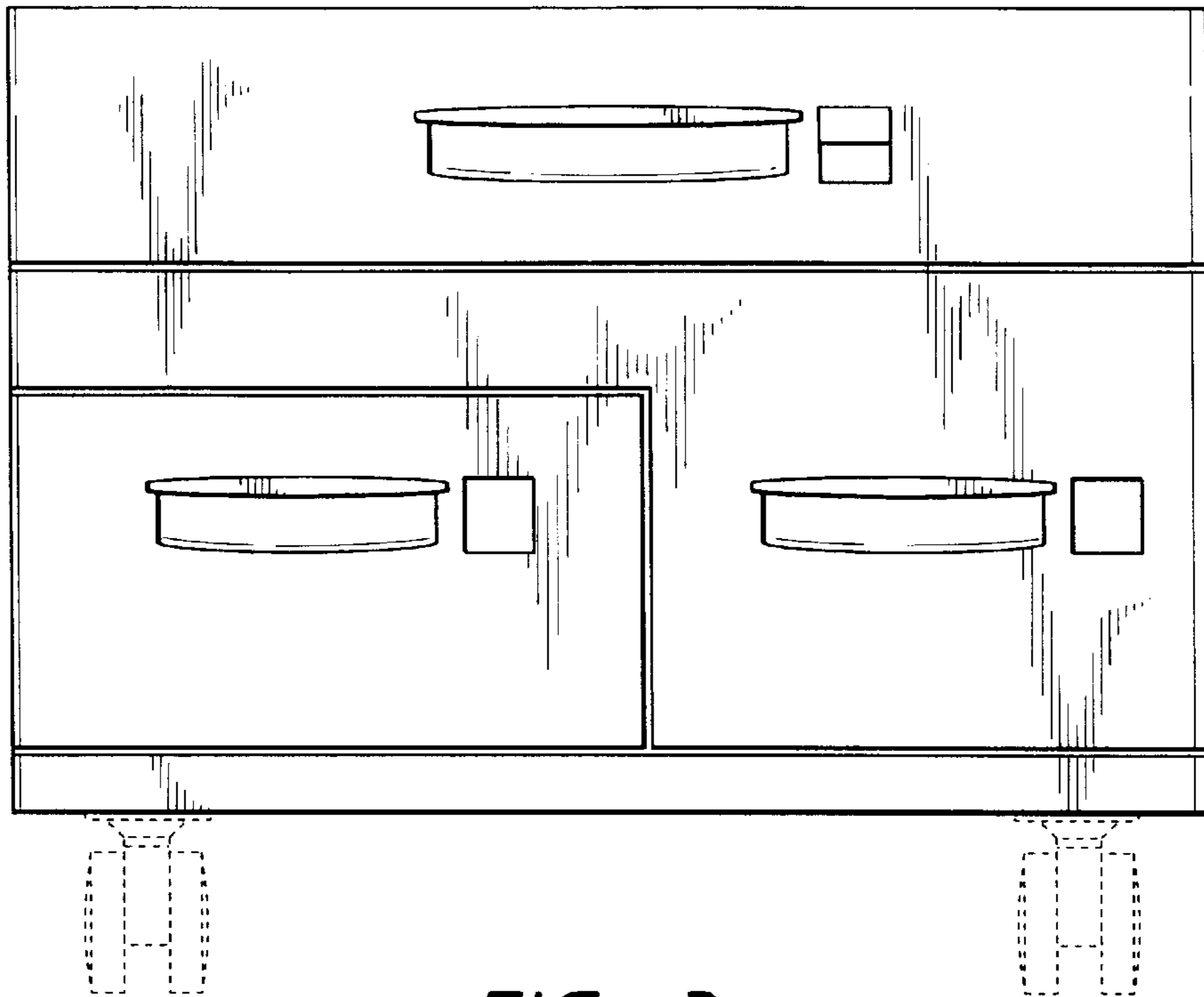


FIG. 3

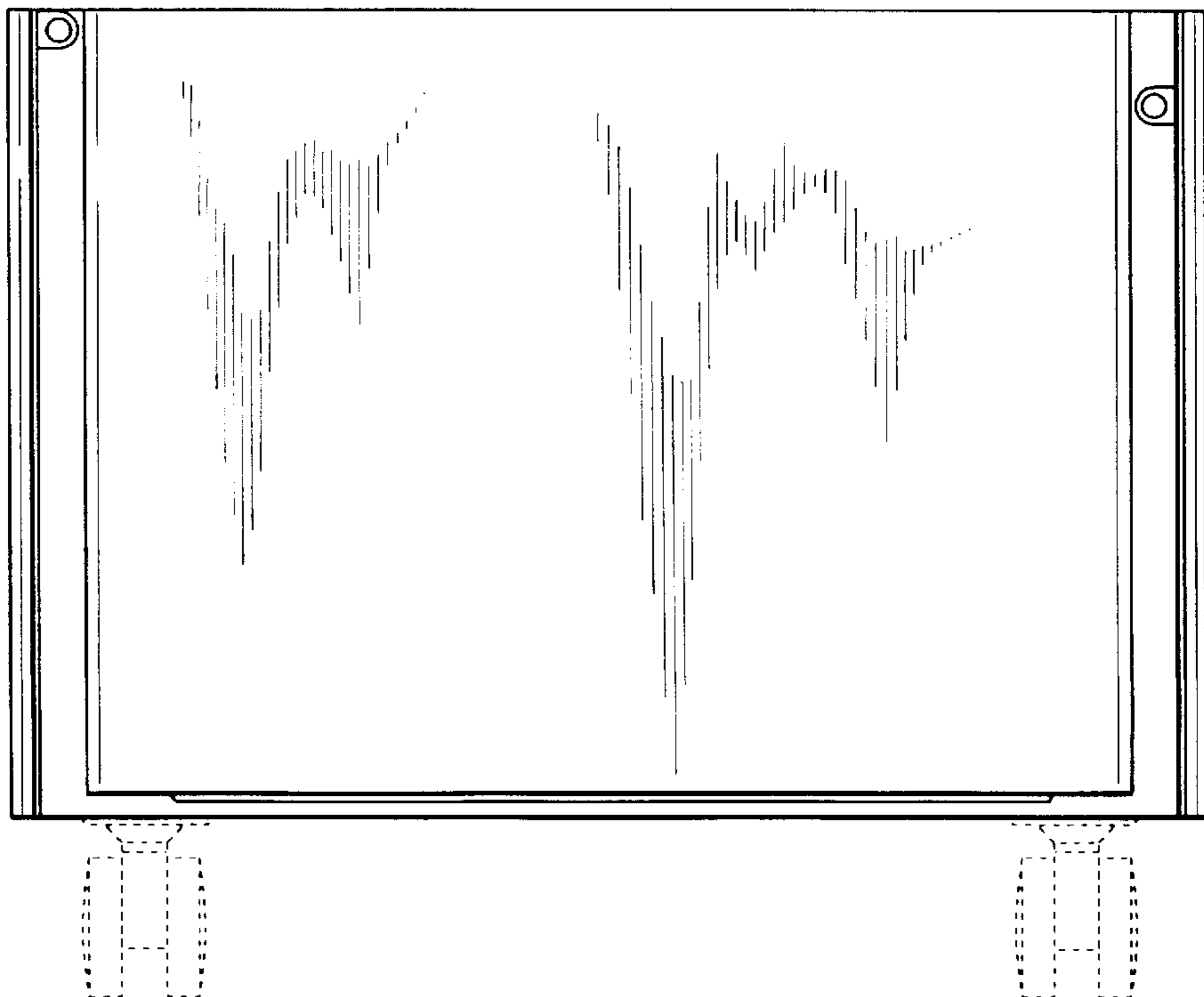


FIG. 4

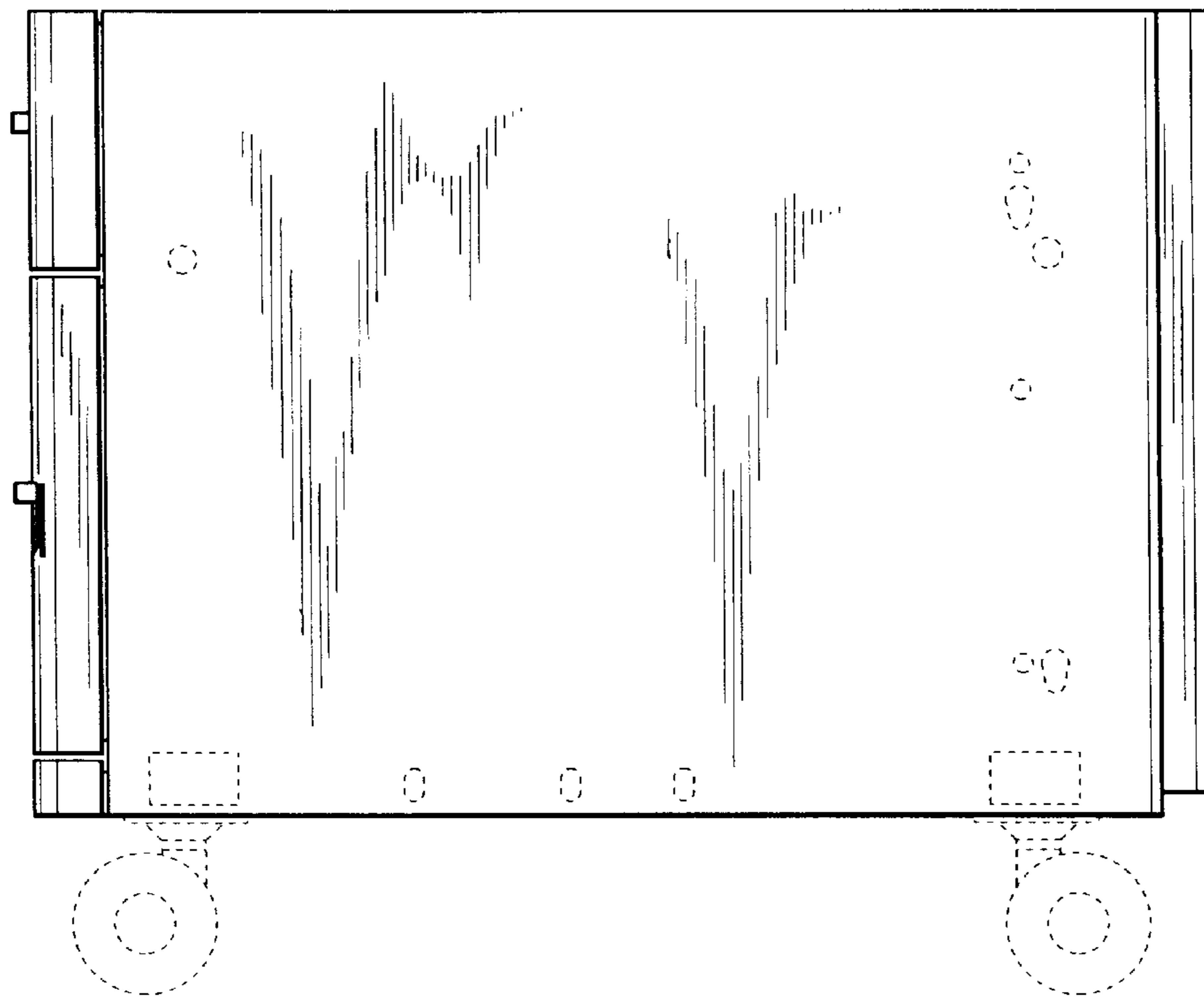


FIG. 5

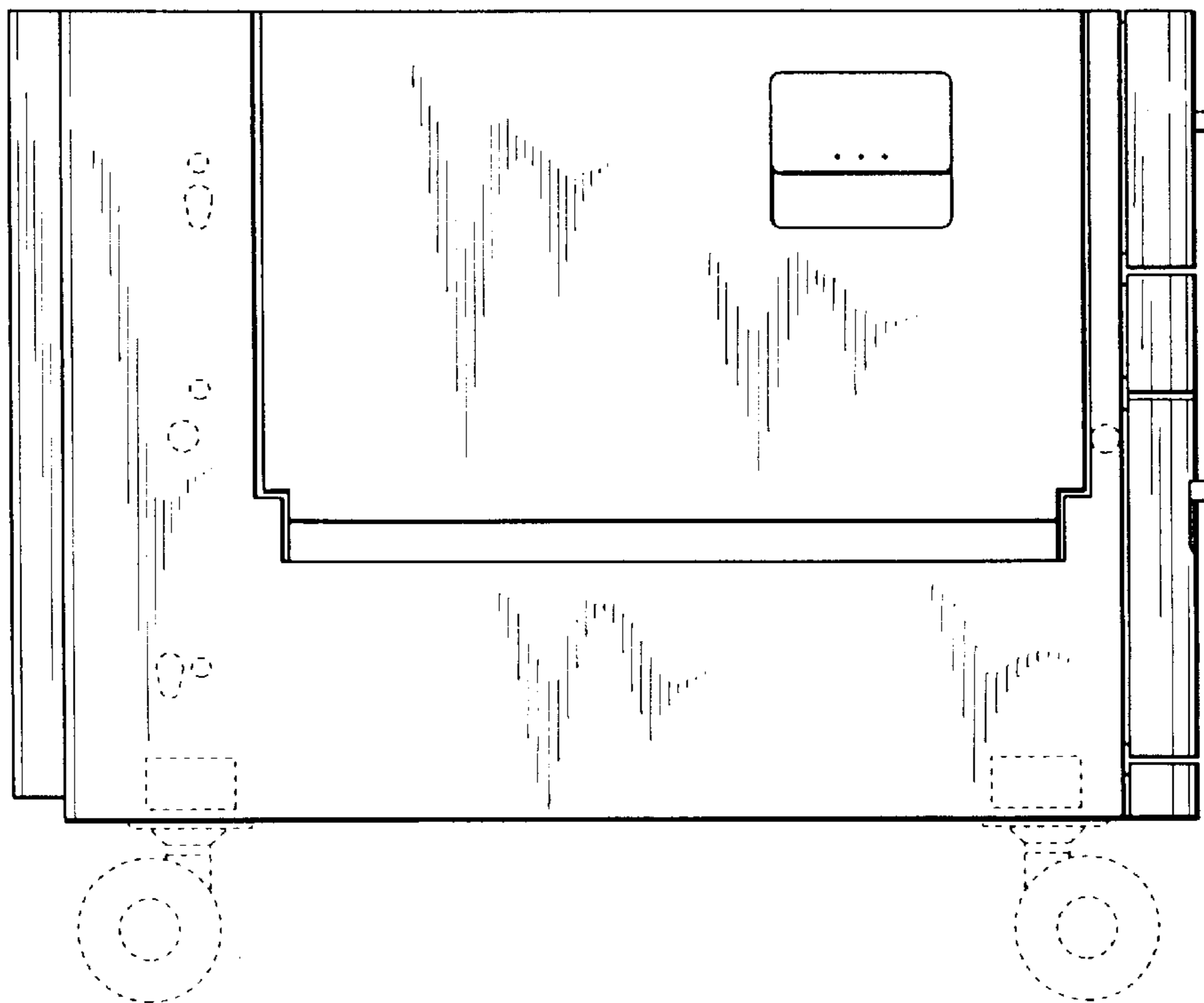


FIG. 6

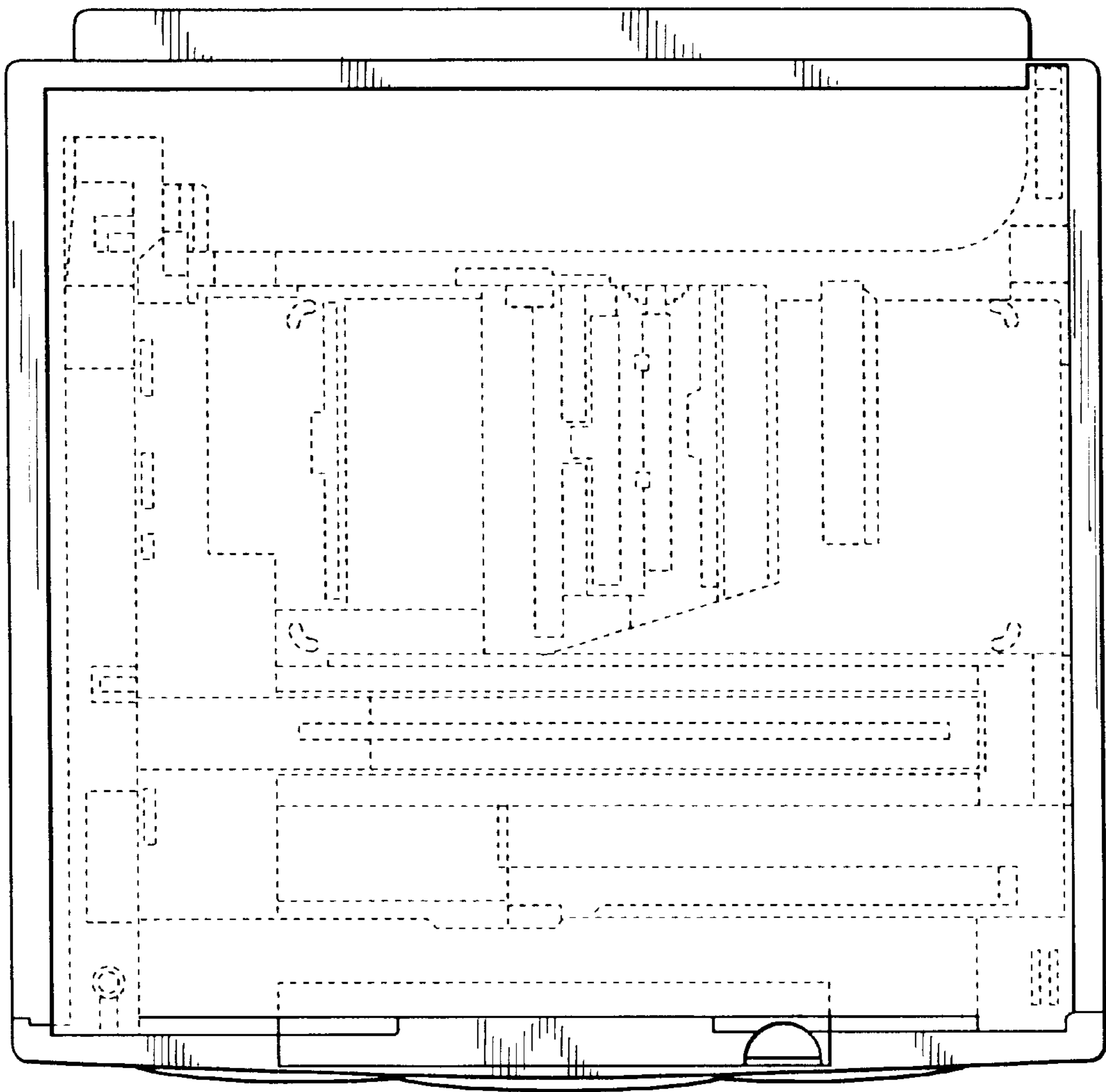


FIG. 7

