



US00D413346S

United States Patent [19] Haga

[11] Patent Number: Des. 413,346

[45] Date of Patent: ** *Aug. 31, 1999

[54] SINGLE-LENS REFLEX CAMERA BODY

[75] Inventor: Masaaki Haga, Tokyo, Japan

[73] Assignee: Asahi Kogaku Kogyo Kabushiki Kaisha, Tokyo, Japan

[*] Notice: This patent is subject to a terminal disclaimer.

[**] Term: 14 Years

[21] Appl. No.: 29/078,553

[22] Filed: Oct. 30, 1997

[30] Foreign Application Priority Data

May 6, 1997	[JP]	Japan	9-53445
May 6, 1997	[JP]	Japan	9-53446

[51] LOC (6) Cl. 16-01

[52] U.S. Cl. D16/217

[58] Field of Search D16/200-205,
D16/208, 209, 216-218; 396/155, 354,
355-359, 535-543

[56] References Cited

U.S. PATENT DOCUMENTS

D. 317,929	7/1991	Tanaka et al.	D16/217
D. 318,678	7/1991	Tanaka et al.	D16/217
D. 379,823	6/1997	Haga	D16/217
D. 385,896	11/1997	Matsuda	D16/217

D. 388,109	12/1997	Kimura et al.	D16/217
D. 388,808	1/1998	Haga	D16/217
4,406,533	9/1983	Yamamoto	396/206

Primary Examiner—Adir Aronovich
Attorney, Agent, or Firm—Sughrue, Mion, Zinn, Macpeak & Seas, PLLC

[57] CLAIM

The ornamental design for a single-lens reflex camera body, as shown and described.

DESCRIPTION

FIG. 1 is a perspective view of the front, top and right side of a single-lens reflex camera body showing my new design; FIG. 2 is a front elevational view thereof; FIG. 3 is a top plan view thereof; FIG. 4 is a left side elevational view thereof; FIG. 5 is a right side elevational view thereof; FIG. 6 is a rear elevational view thereof; FIG. 7 is a bottom plan view thereof; FIG. 8 is a top plan view of a modified single-lens reflex camera body; FIG. 9 is a right side elevational view thereof; FIG. 10 is a rear elevational view thereof; and, FIG. 11 is a bottom plan view thereof.

The undisclosed front and left side views of the second embodiment are identical to those disclosed in the first embodiment.

1 Claim, 5 Drawing Sheets

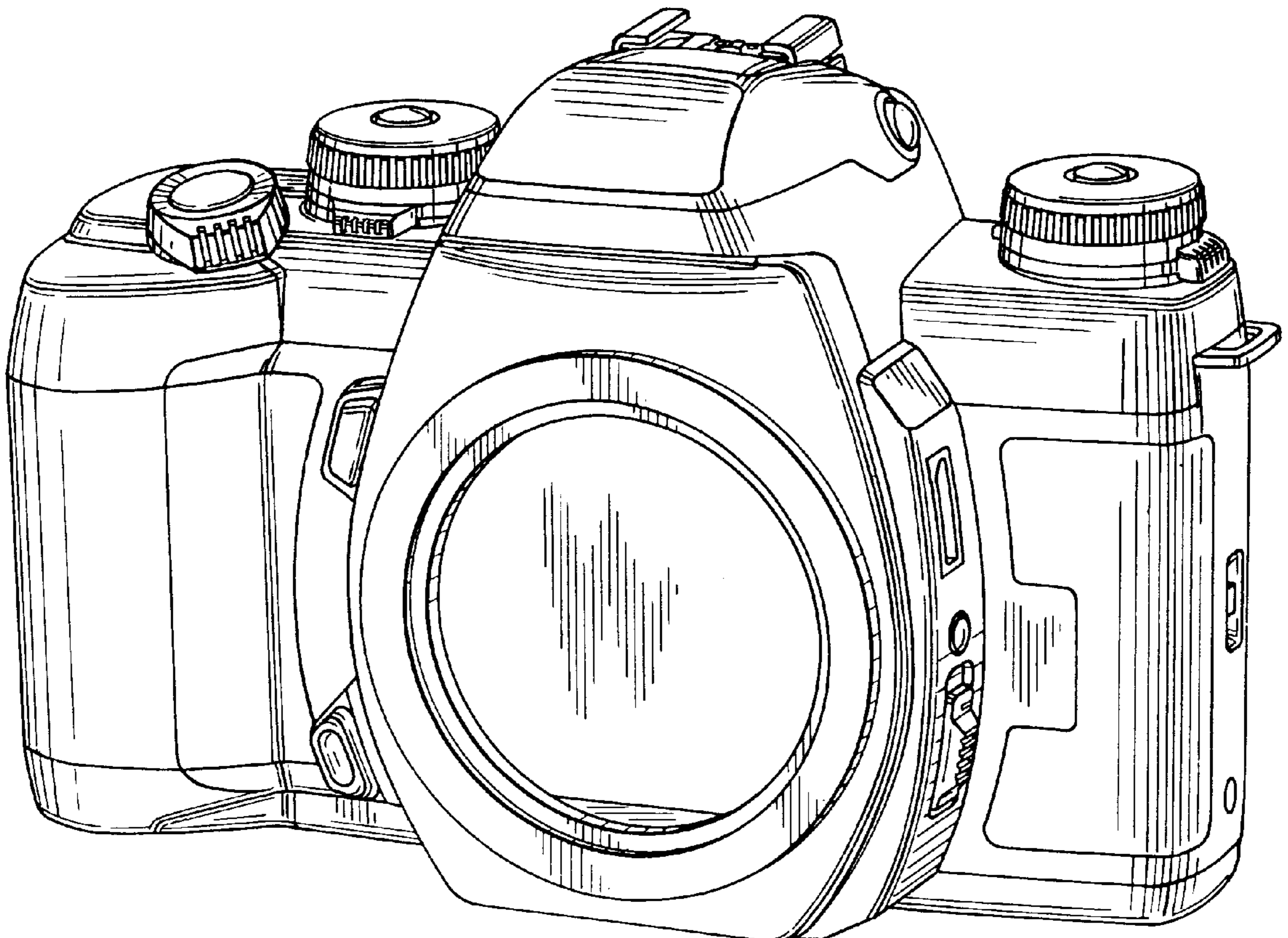


FIG. 1

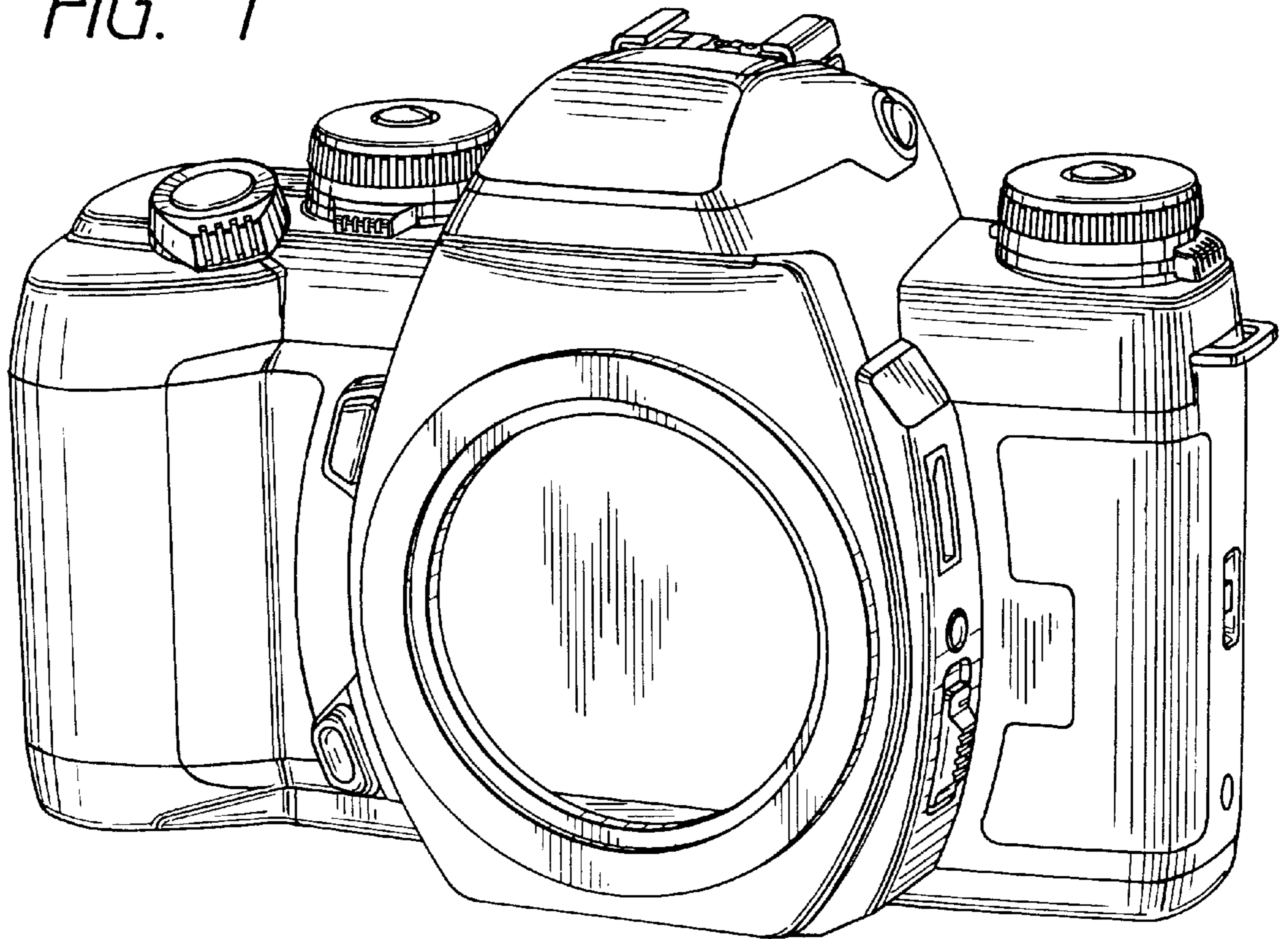


FIG. 2

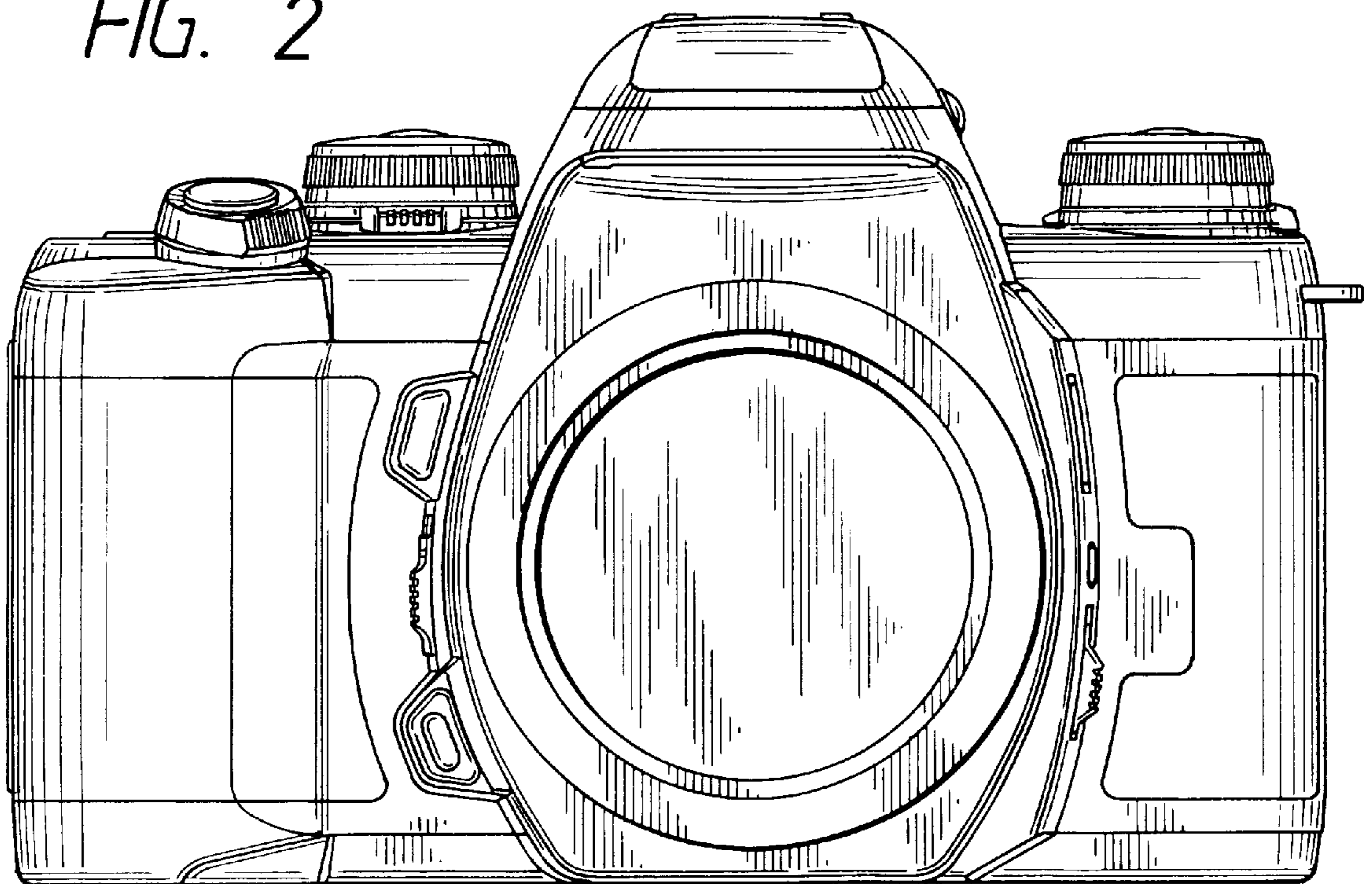


FIG. 3

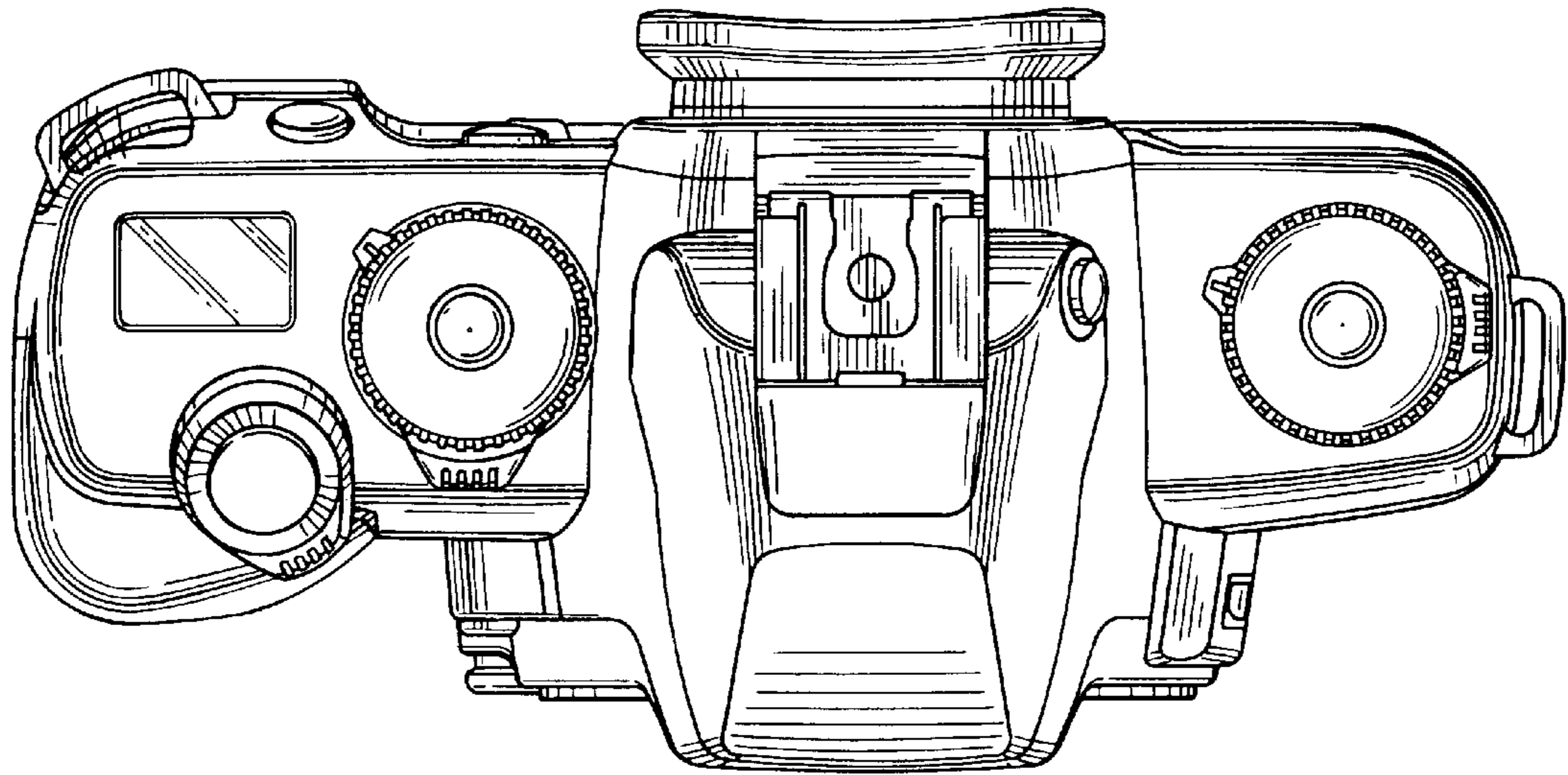


FIG. 4

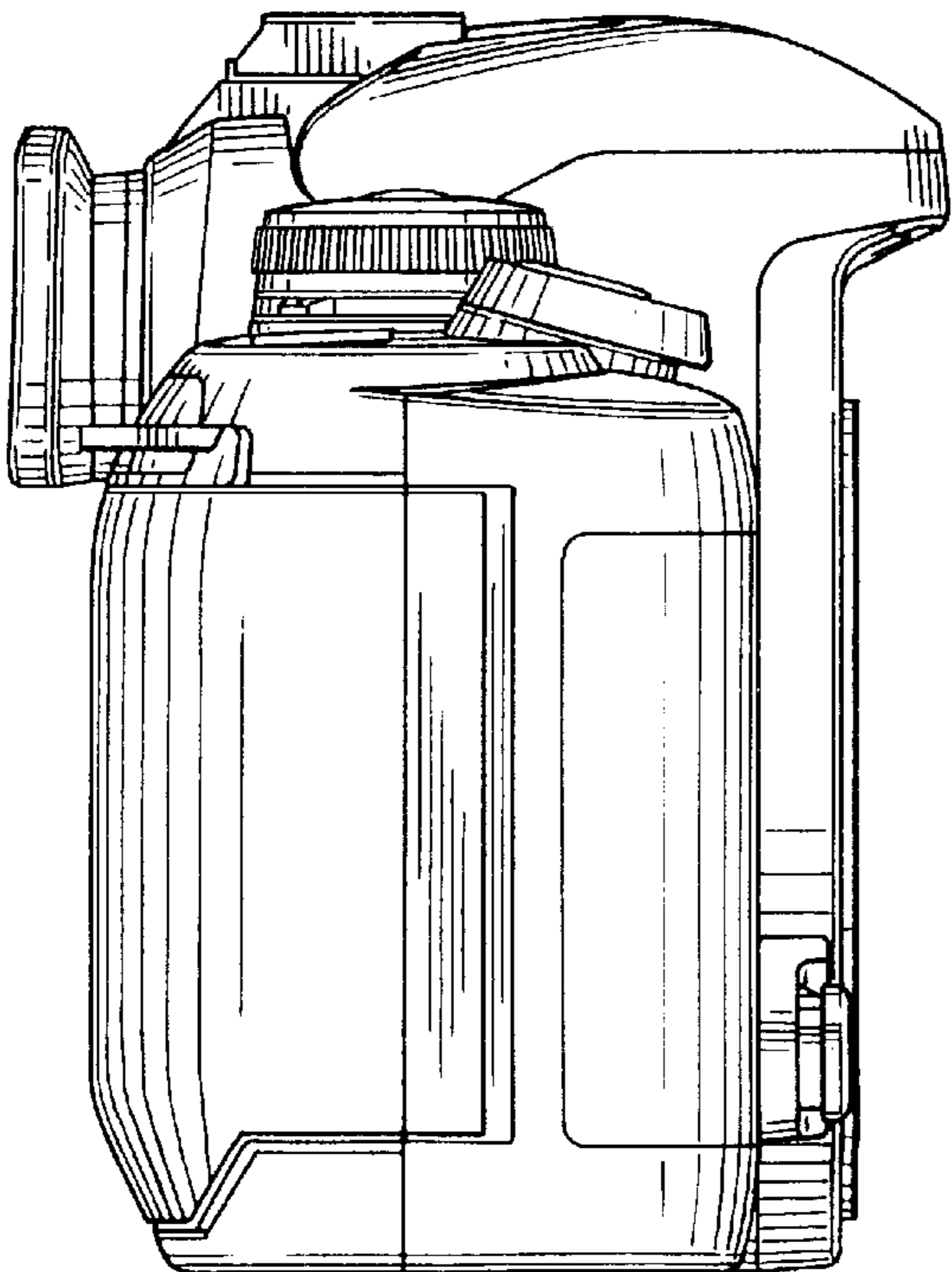


FIG. 5

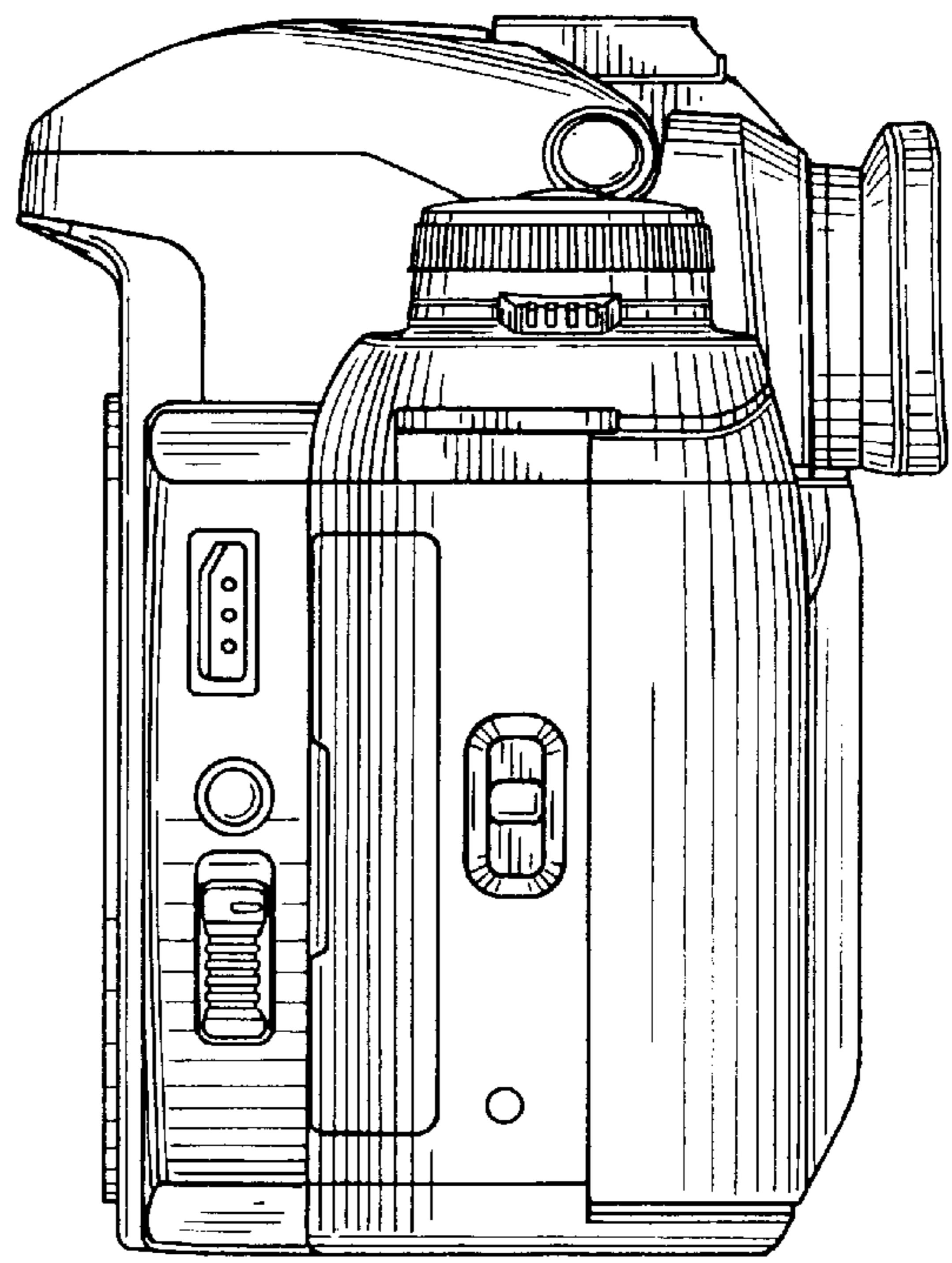


FIG. 6

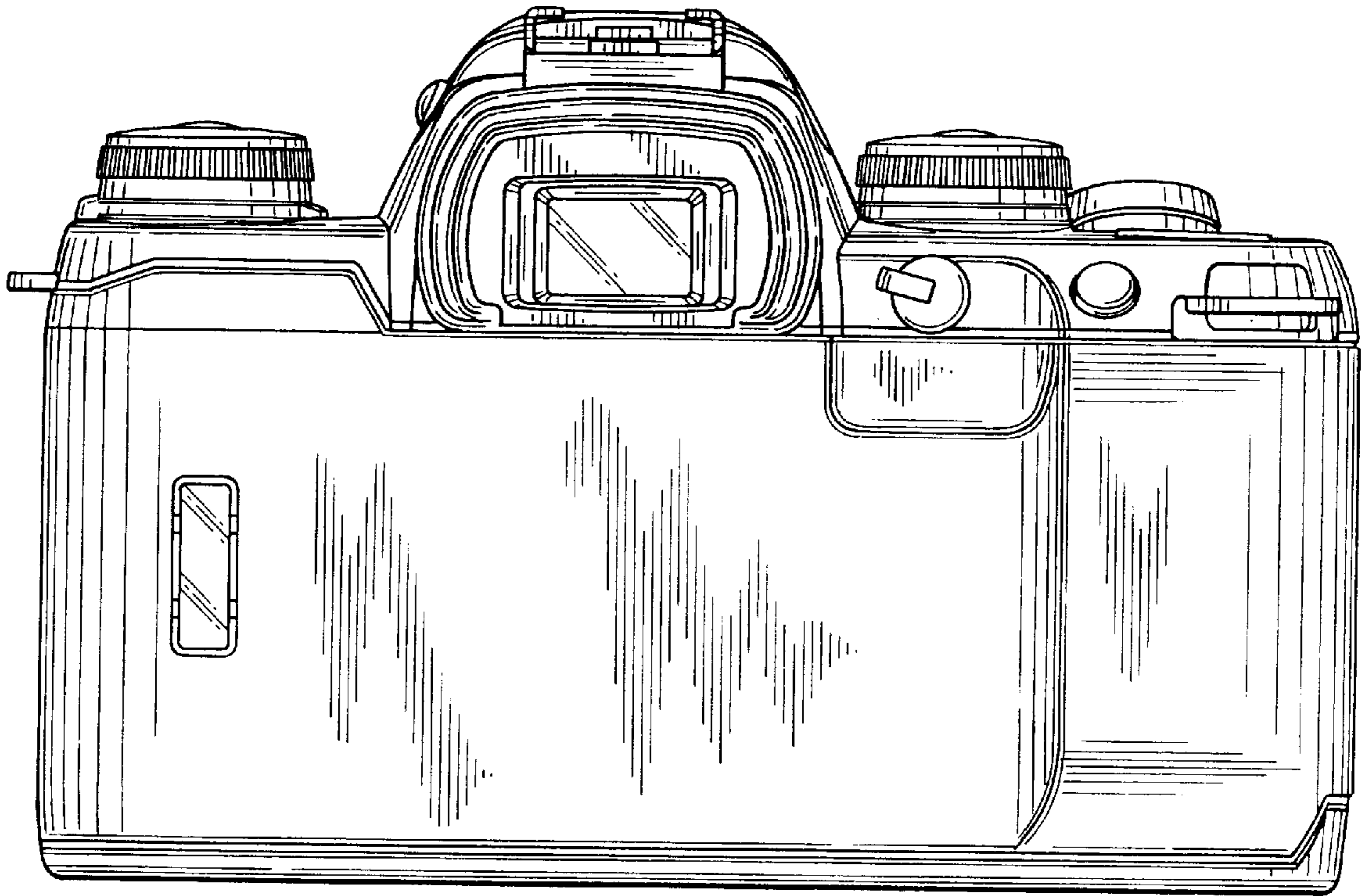


FIG. 7

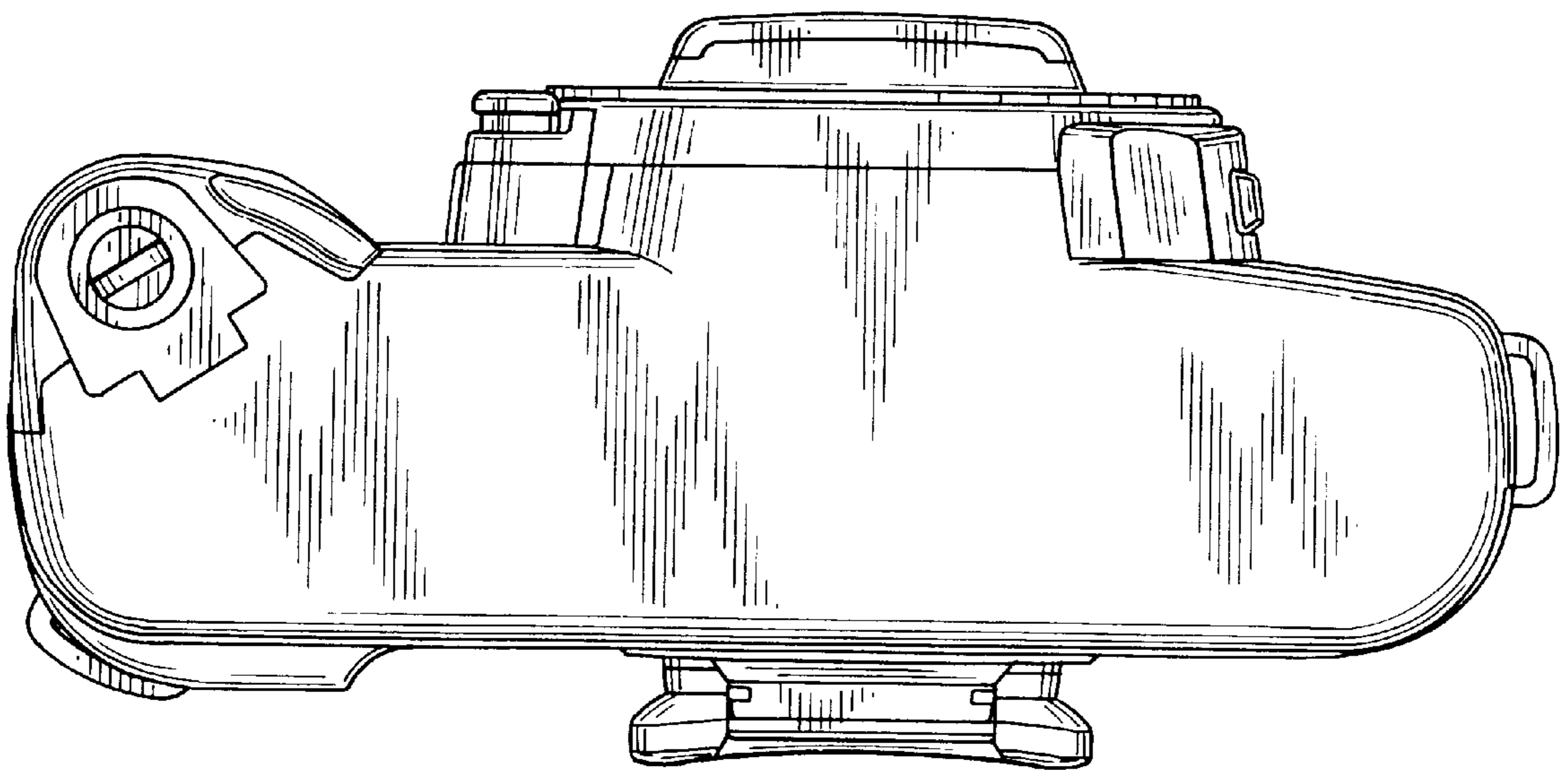


FIG. 8

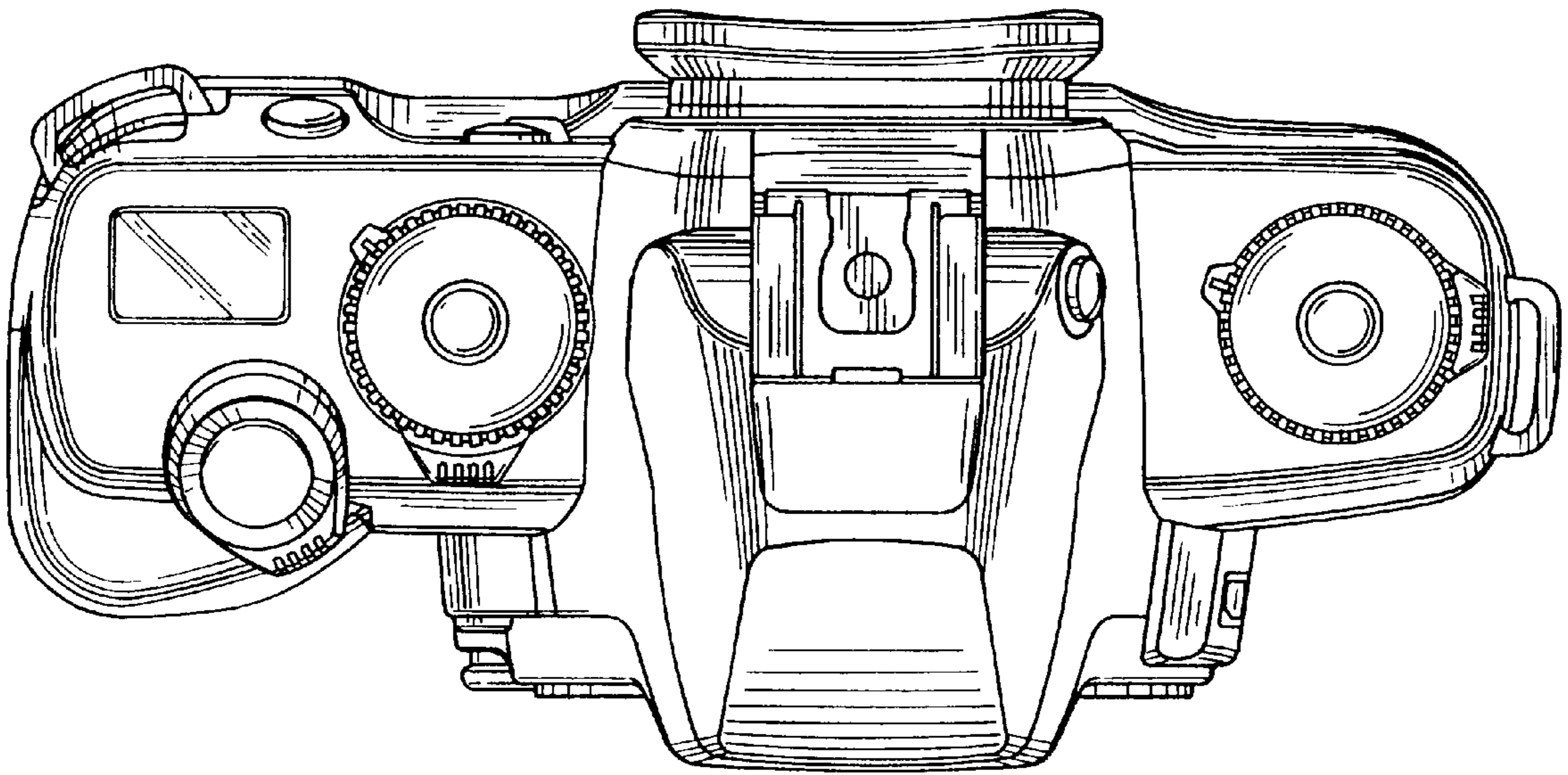


FIG. 9

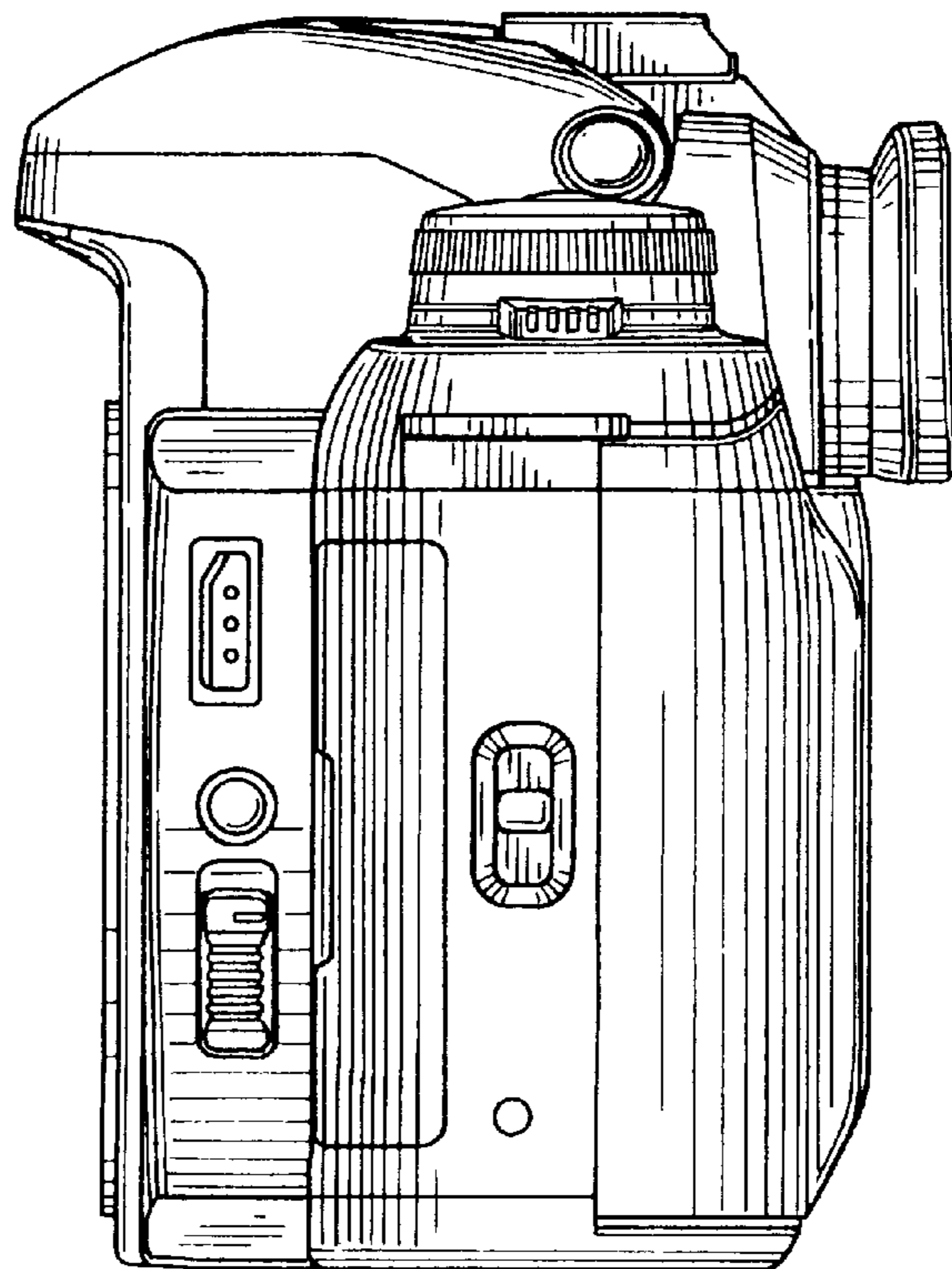


FIG. 10

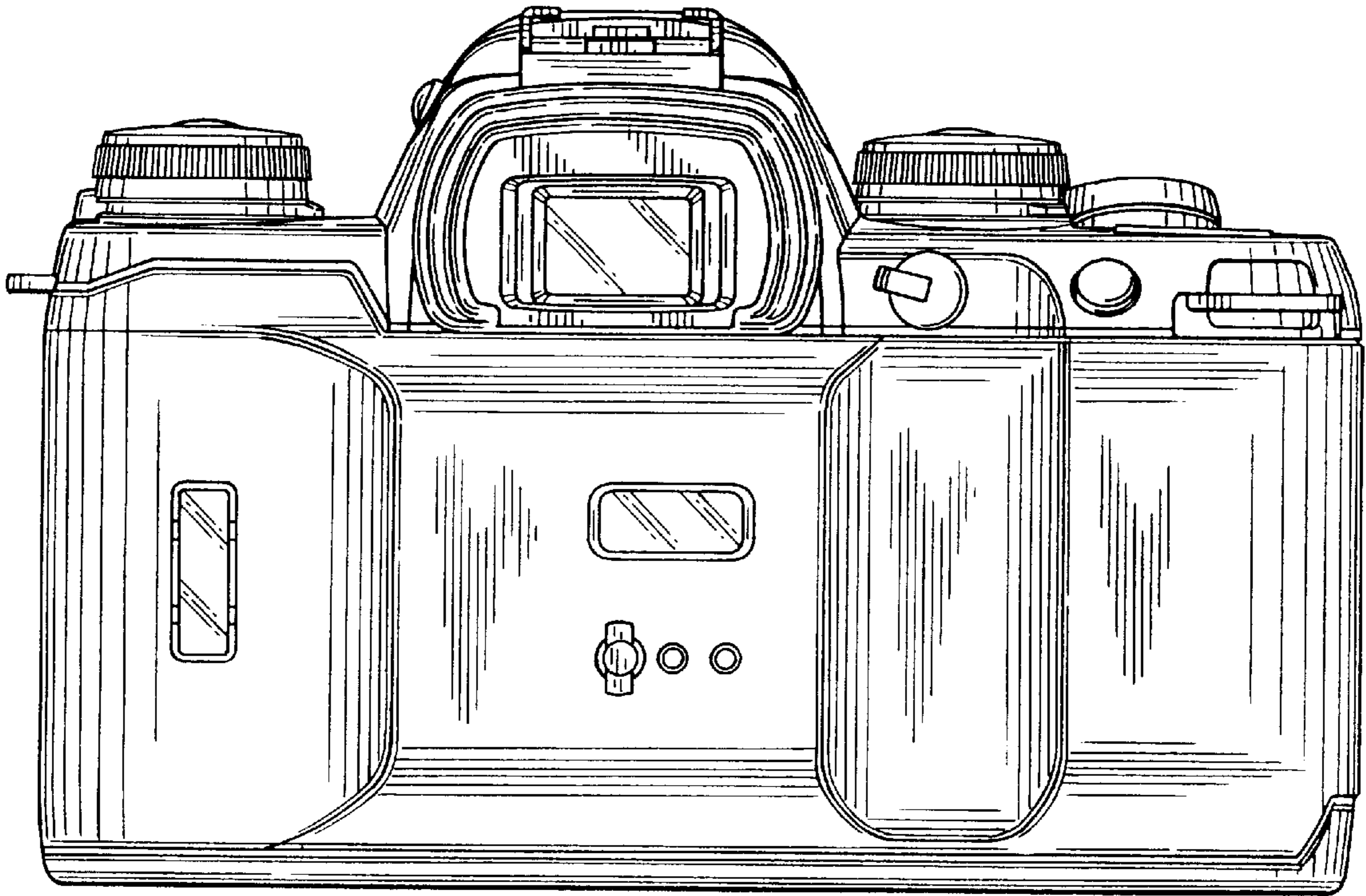


FIG. 11

