



US00D413344S

United States Patent [19]

Lavine et al.

[11] **Patent Number: Des. 413,344**

[45] **Date of Patent: ** Aug. 31, 1999**

[54] **CAMCORDER CAMERA**

[75] Inventors: **Monte D. Lavine; Stanley H. Caplan**, both of Rochester; **Philip R. Ashe**, Hilton; **Paul J. Klock**, Rochester, all of N.Y.

[73] Assignee: **Eastman Kodak Company**, Rochester, N.Y.

[**] Term: **14 Years**

[21] Appl. No.: **29/084,944**

[22] Filed: **Mar. 5, 1998**

[51] **LOC (6) Cl. 16-01**

[52] **U.S. Cl. D16/205; D16/202**

[58] **Field of Search D16/200-213, D16/216-218; 348/373-376; 352/129, 242, 243; 358/906; 396/535-543**

[56] **References Cited**

U.S. PATENT DOCUMENTS

D. 198,602 7/1964 Burgess D16/205

D. 261,393 10/1981 Schlagheck D16/206
D. 263,599 3/1982 Schlagheck D16/206
2,616,329 4/1952 Broido 352/242
3,756,706 9/1973 Klynn 352/129

Primary Examiner—Ted Shooman
Assistant Examiner—Adir Aronovich
Attorney, Agent, or Firm—Roger A. Fields

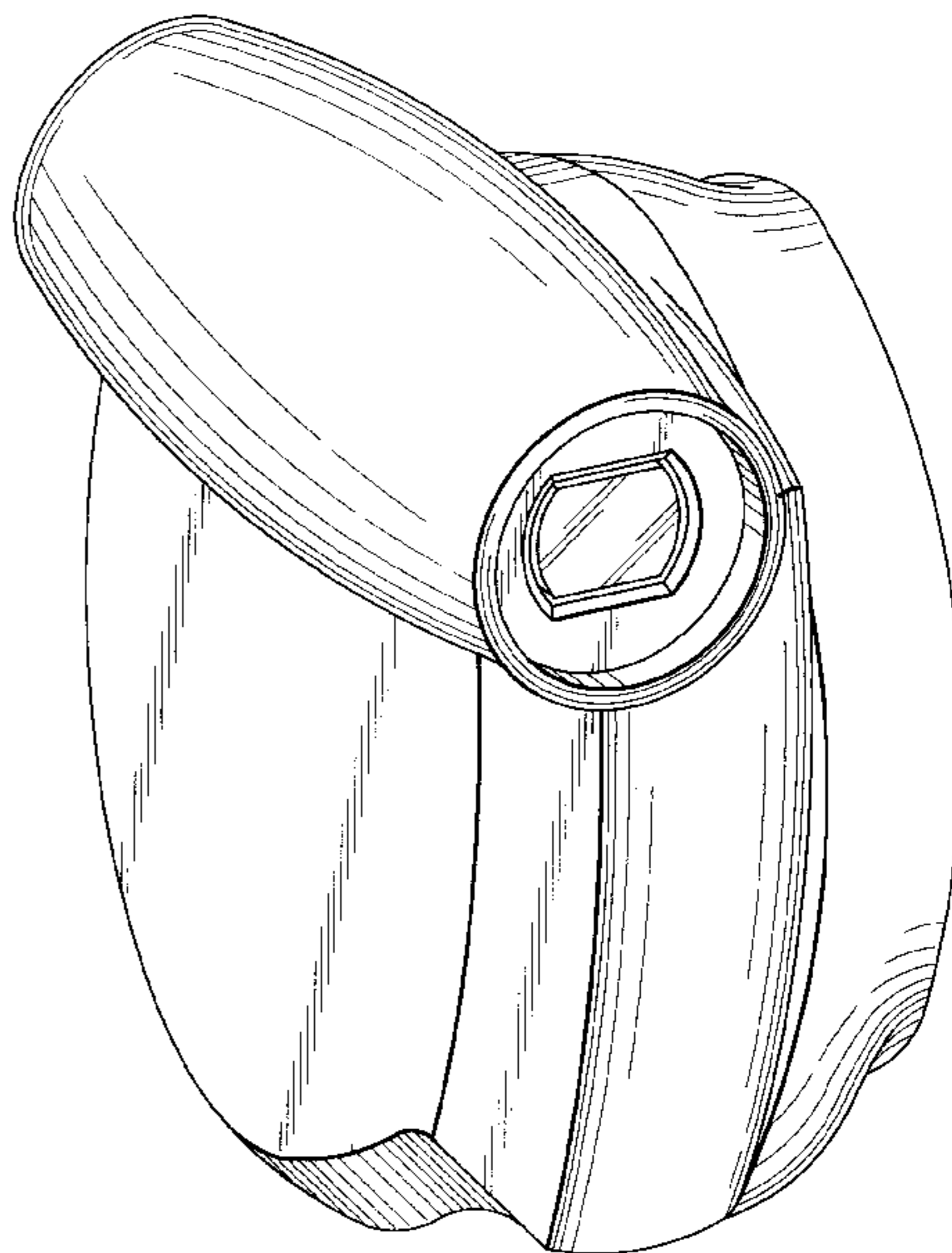
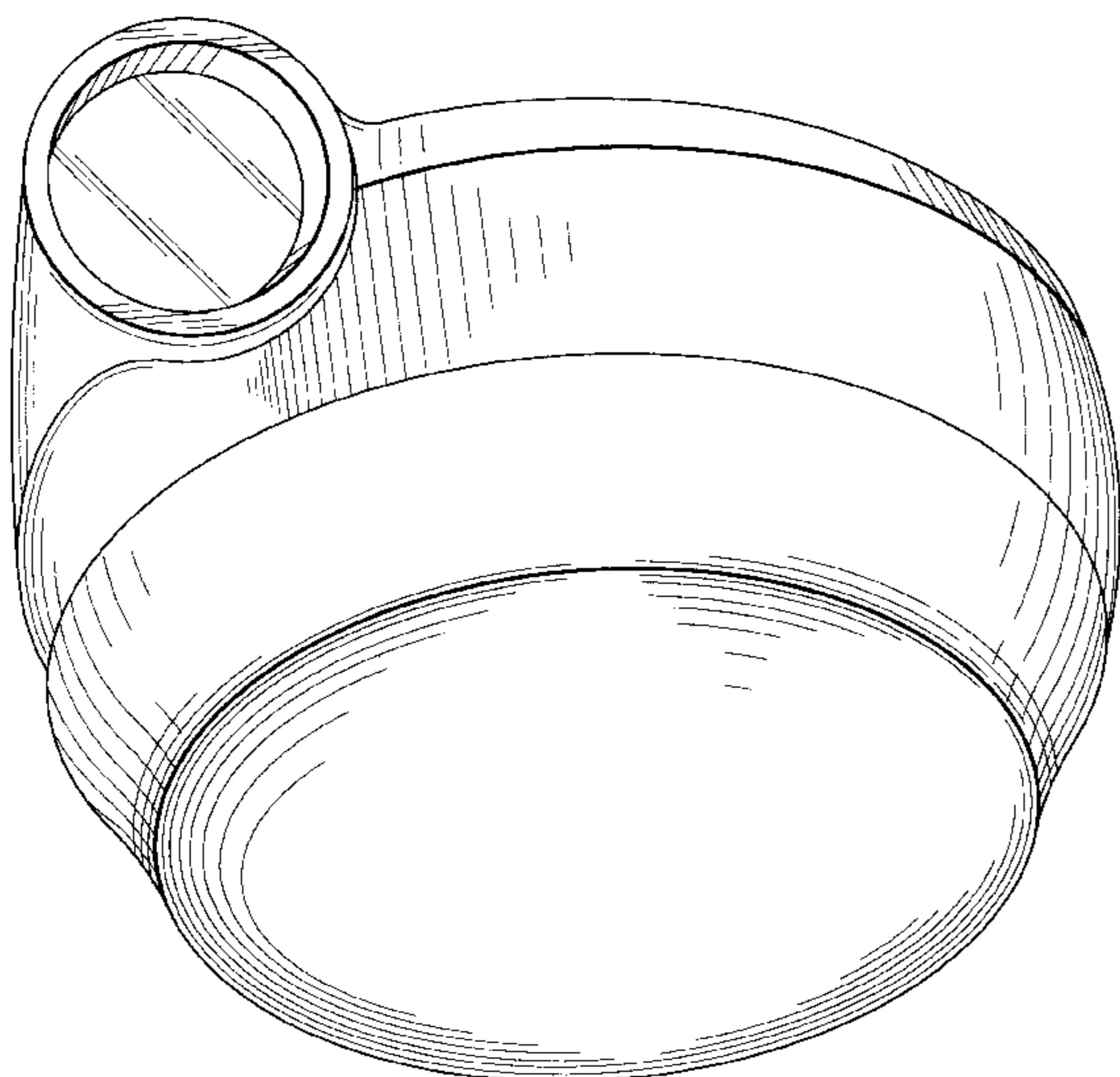
[57] **CLAIM**

The ornamental design for a camcorder camera, as shown and described.

DESCRIPTION

FIG. 1 is a front, left-side, bottom perspective view of a camcorder camera showing our new design; FIG. 2 is a rear, right-side, top perspective view thereof; FIG. 3 is a front elevation view thereof; FIG. 4 is a rear elevation view thereof; FIG. 5 is a top plan view thereof; FIG. 6 is a bottom plan view thereof; FIG. 7 is a left-side elevation view thereof; and, FIG. 8 is a right-side elevation view thereof.

1 Claim, 8 Drawing Sheets



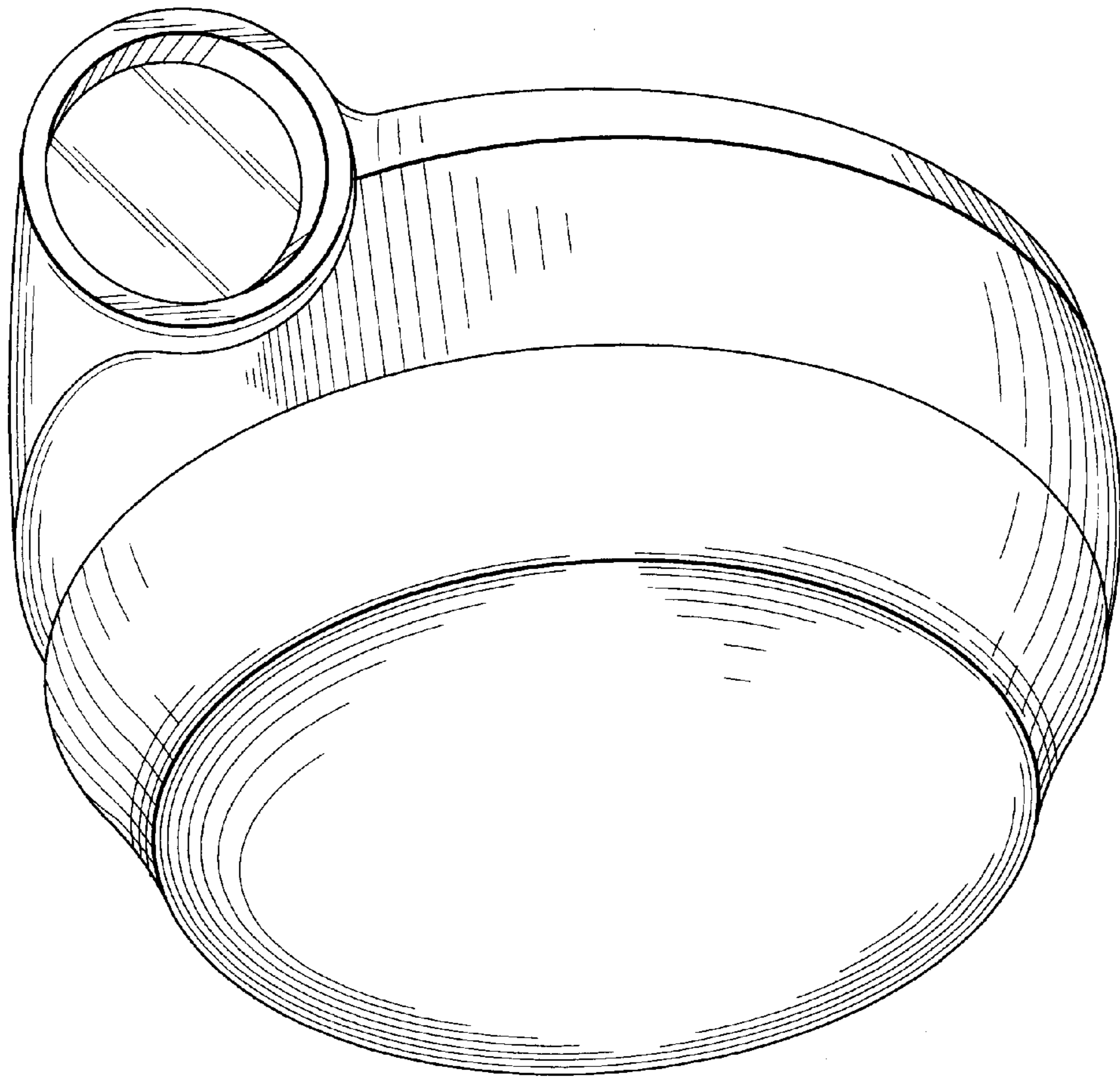


FIG. 1

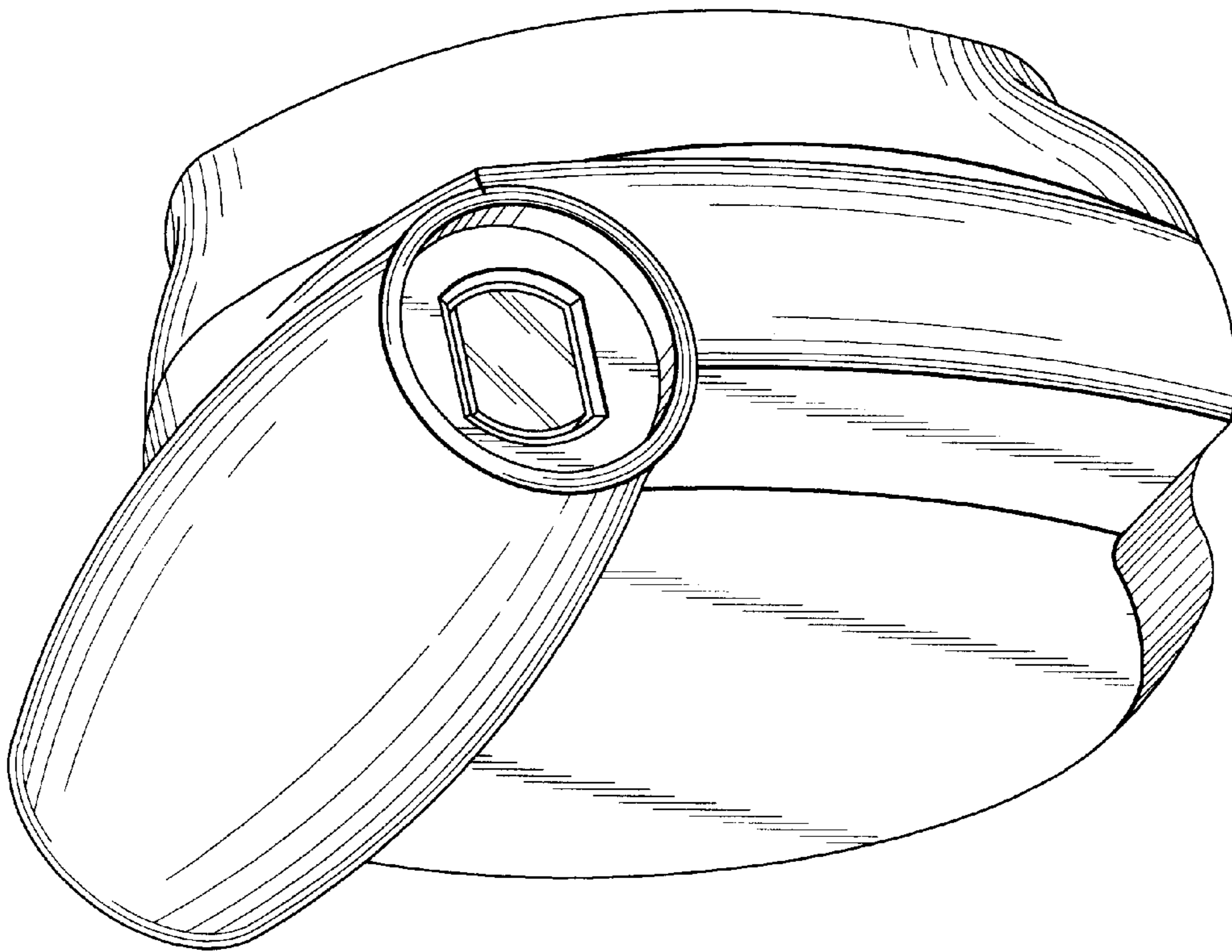


FIG. 2

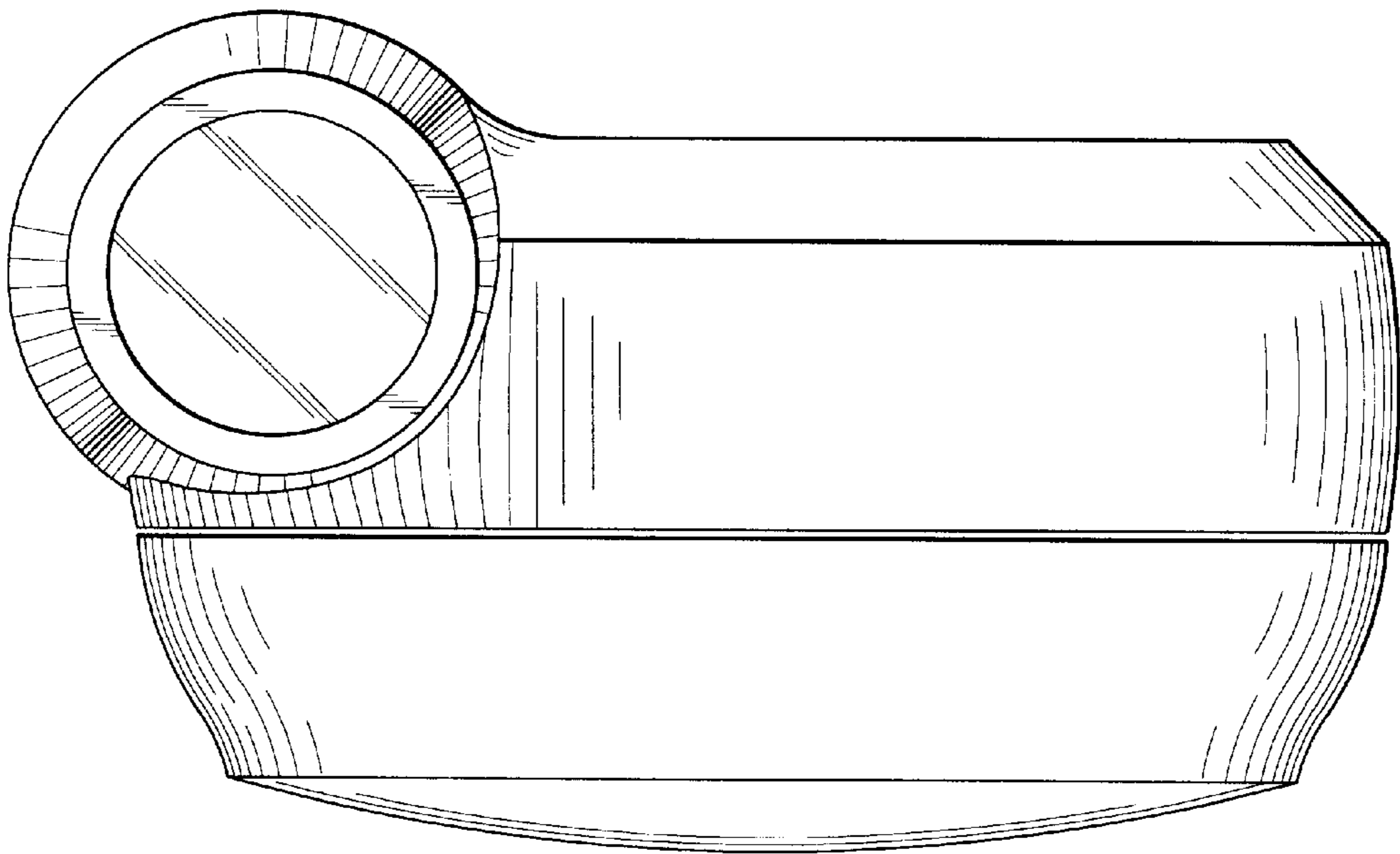


FIG. 3

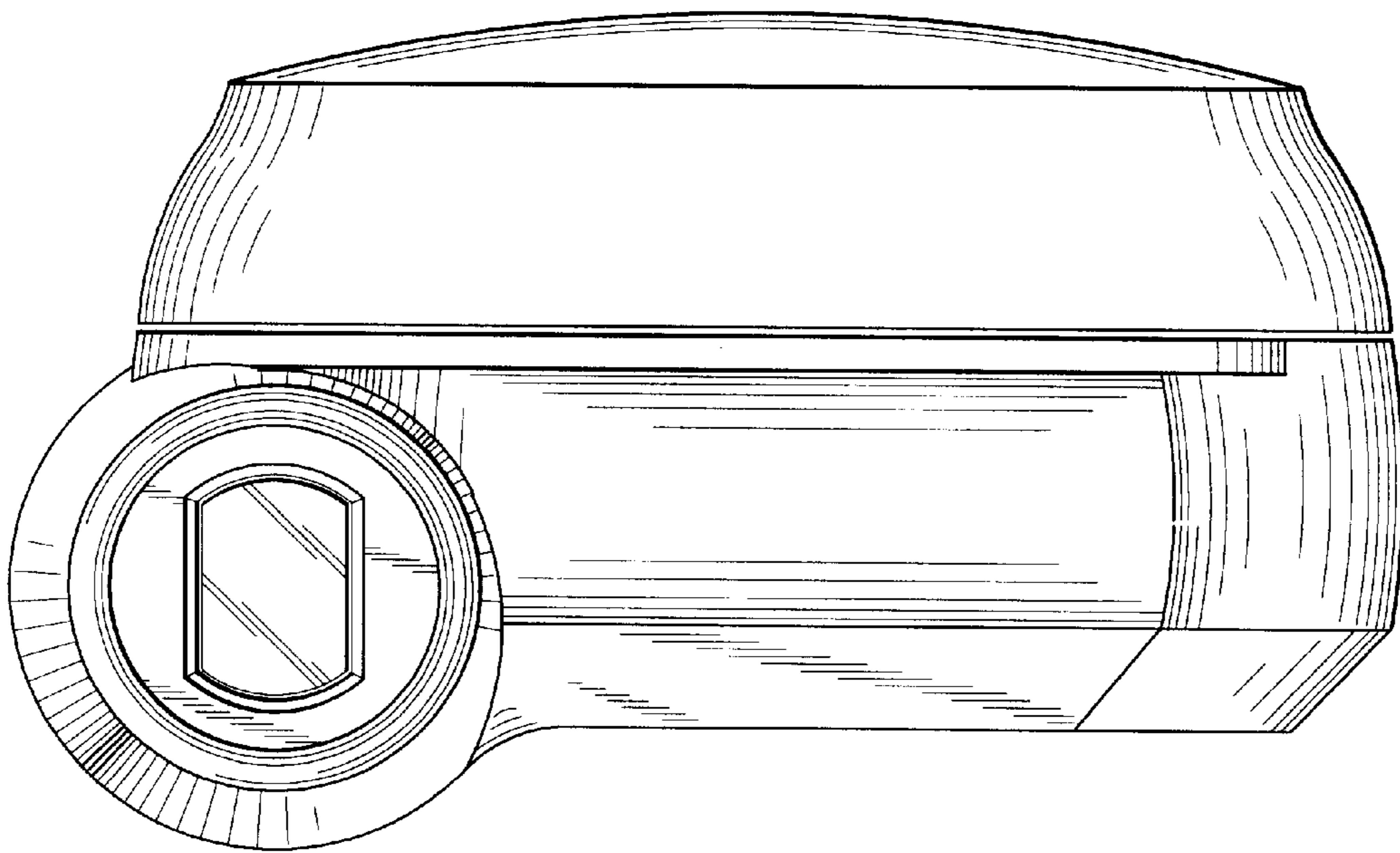


FIG. 4

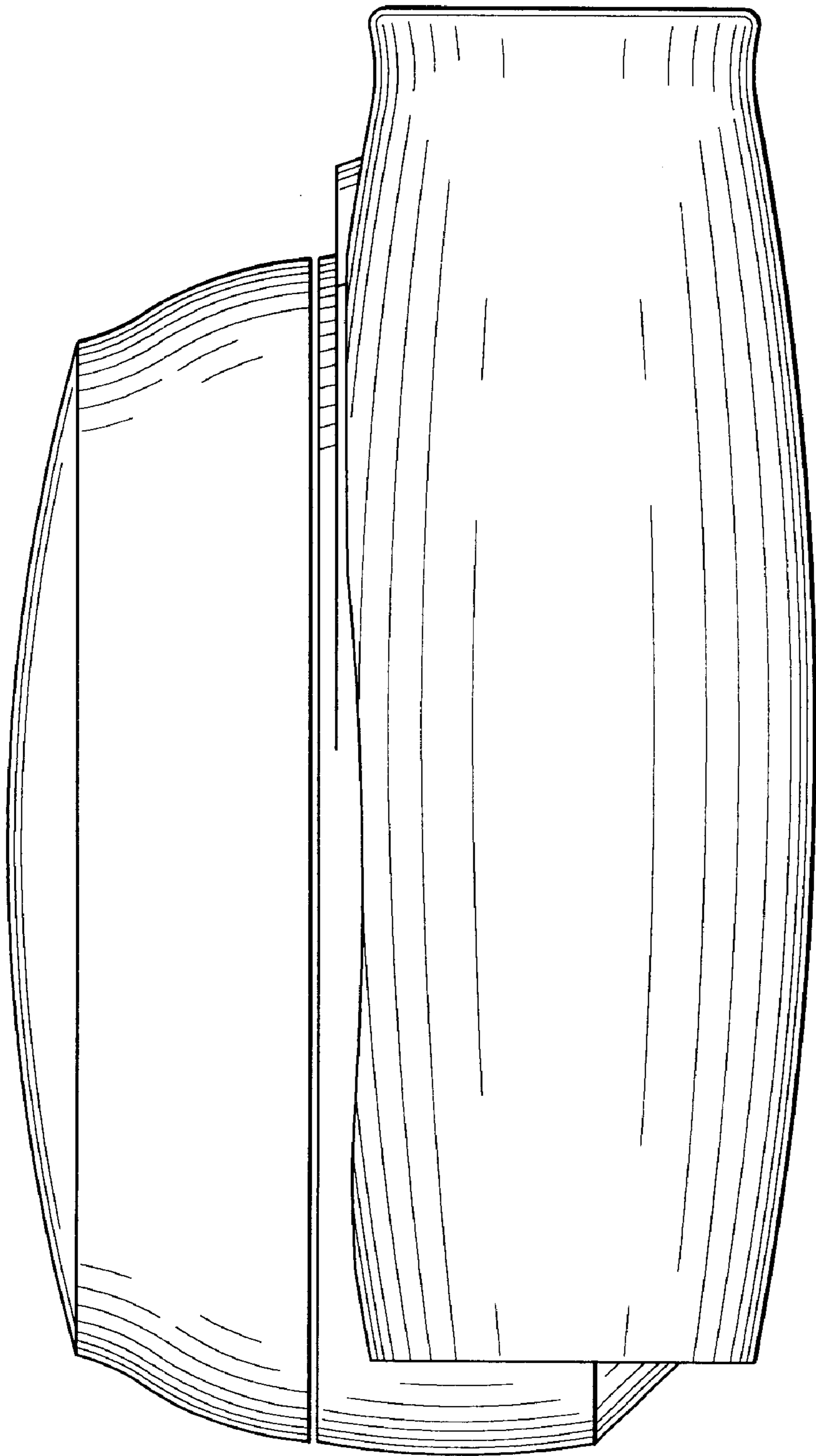


FIG. 5

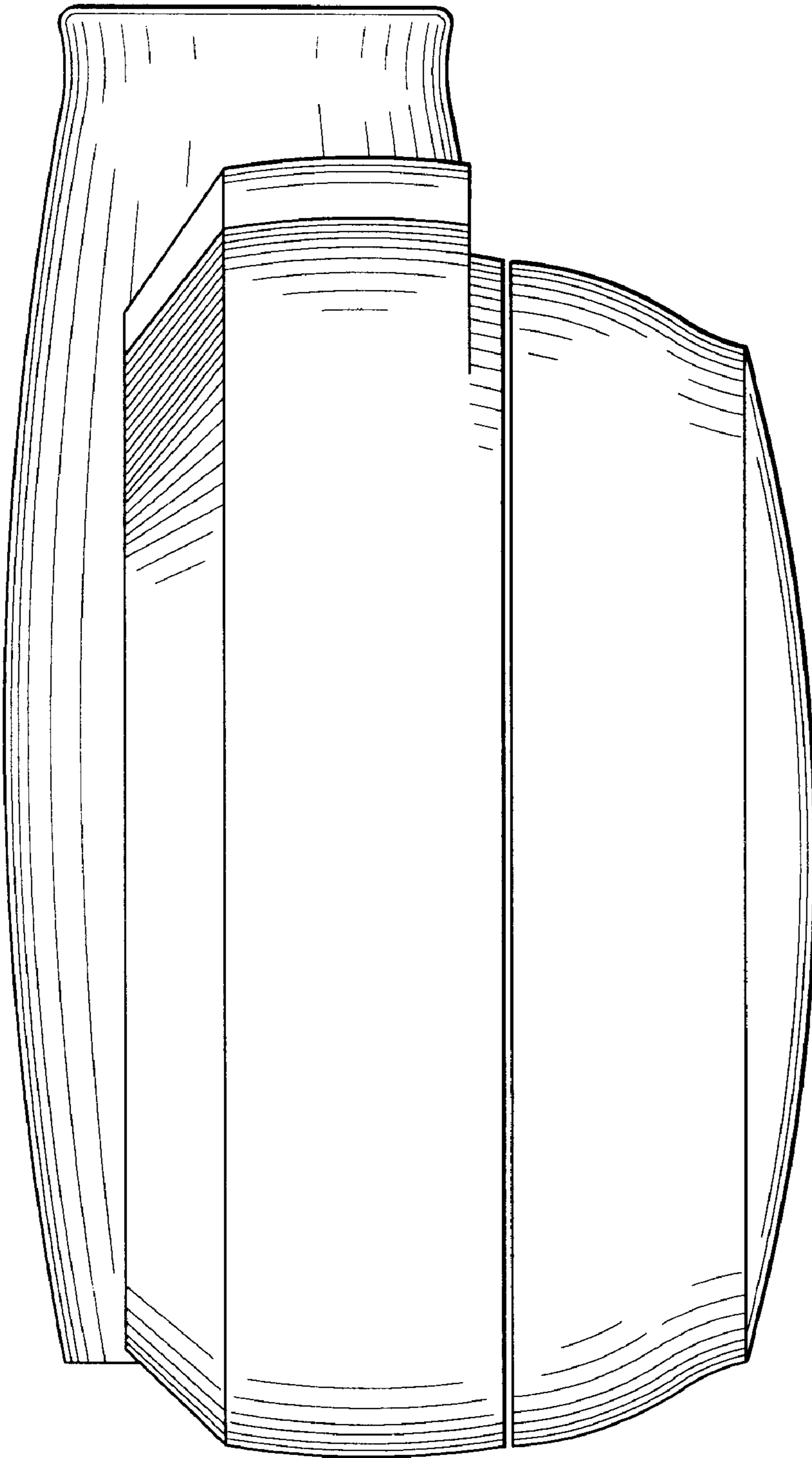


FIG. 6

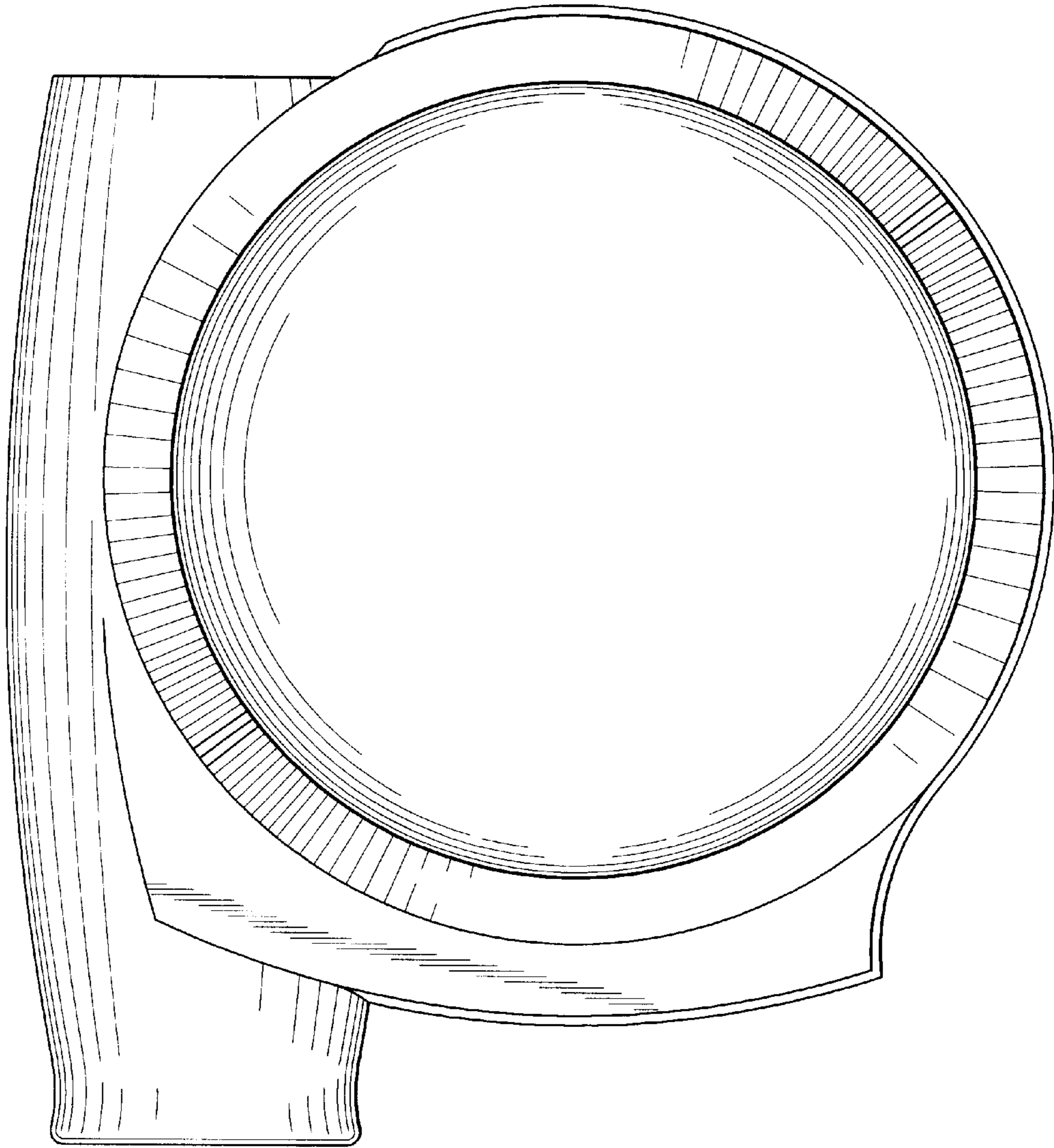


FIG. 7

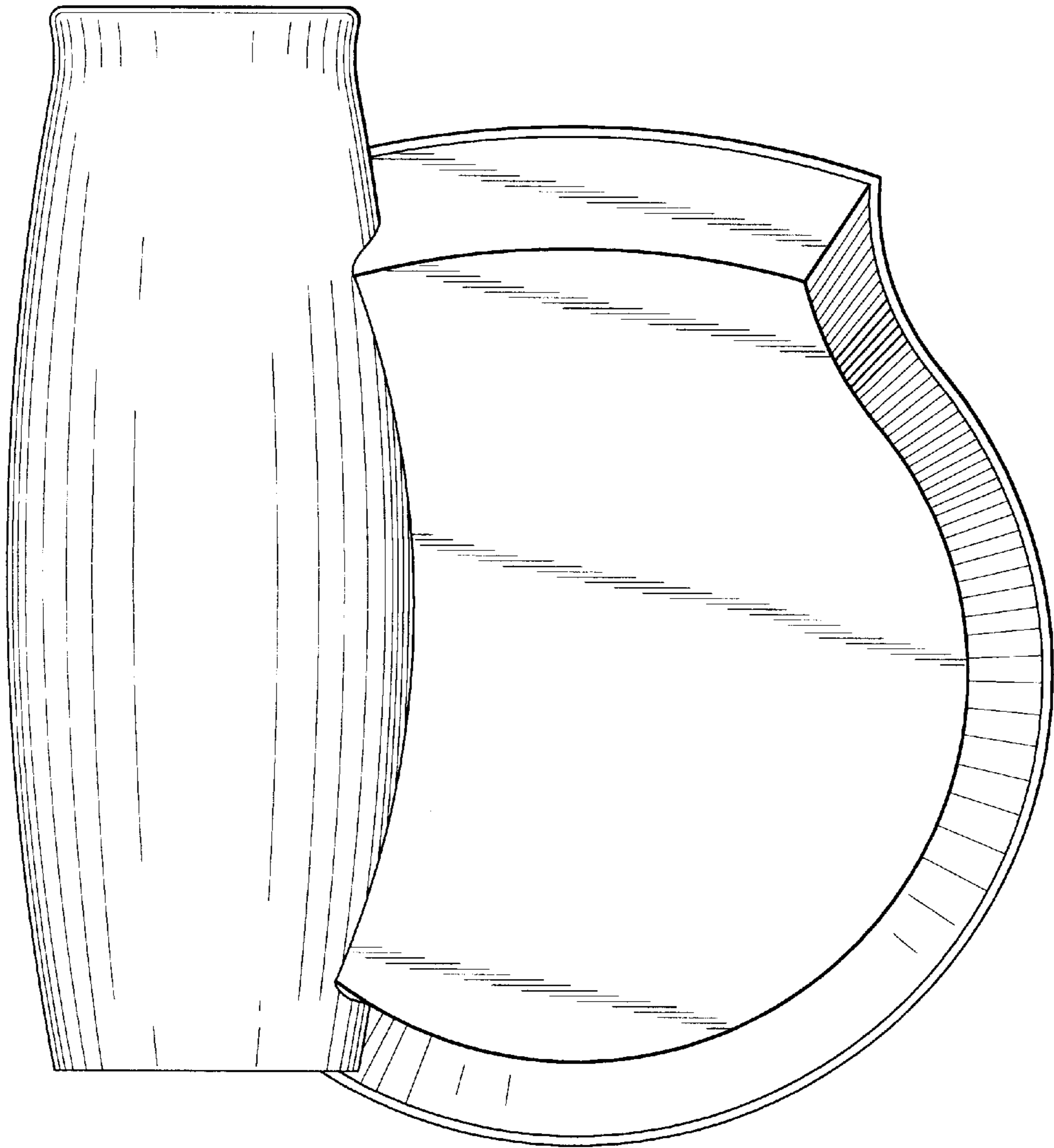


FIG. 8