



US00D413339S

United States Patent [19]

Wales, Jr.

[11] Patent Number: **Des. 413,339**

[45] Date of Patent: **** Aug. 31, 1999**

[54] **COMPACTOR**

[76] Inventor: **Hal Wales, Jr.**, 1603 Chestnut St., Alhambra, Calif. 91803

[**] Term: **14 Years**

[21] Appl. No.: **29/080,729**

[22] Filed: **Dec. 15, 1997**

[51] **LOC (6) Cl.** **15-09**

[52] **U.S. Cl.** **D15/123**

[58] **Field of Search** D15/123; 72/448, 72/455, 465; 100/207, 208, 268, 282, 292, 214; 435/135, 86, 347, 348.5, 349, 350, 353, 358, 355, 360

[56] **References Cited**

U.S. PATENT DOCUMENTS

D. 350,142 8/1994 Imanishi et al. D15/123

Primary Examiner—Antoine Duval Davis
Attorney, Agent, or Firm—James E. Brunton

[57] **CLAIM**

The ornamental design for “a compactor”, as shown.

DESCRIPTION

FIG. 1 is a generally perspective view of a compactor showing my new design;

FIG. 2 is a front elevational view thereof;

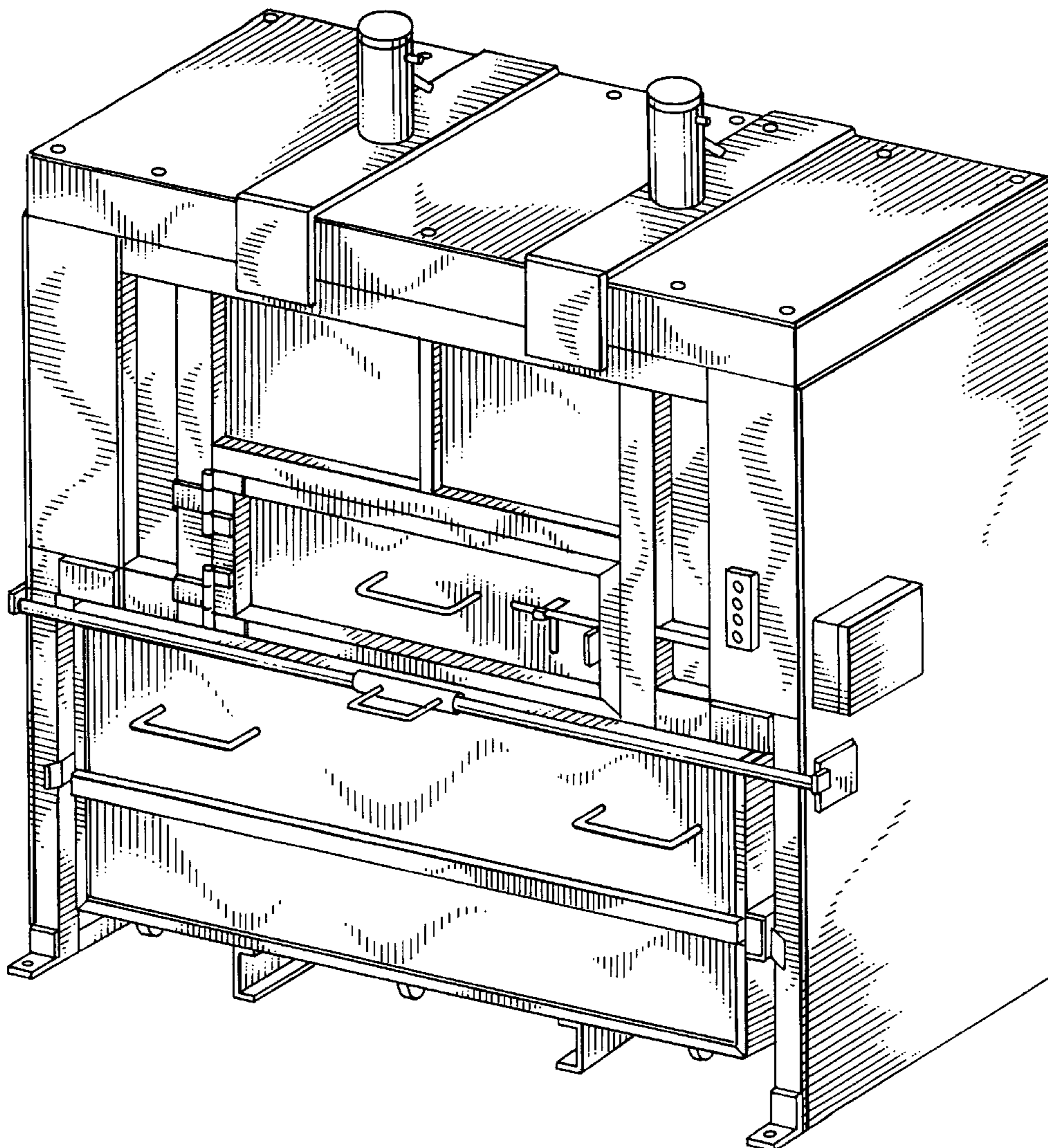
FIG. 3 is a top plan view thereof;

FIG. 4 is a right side elevational view thereof;

FIG. 5 is a left side elevational view thereof; and,

FIG. 6 is a rear view thereof.

1 Claim, 5 Drawing Sheets



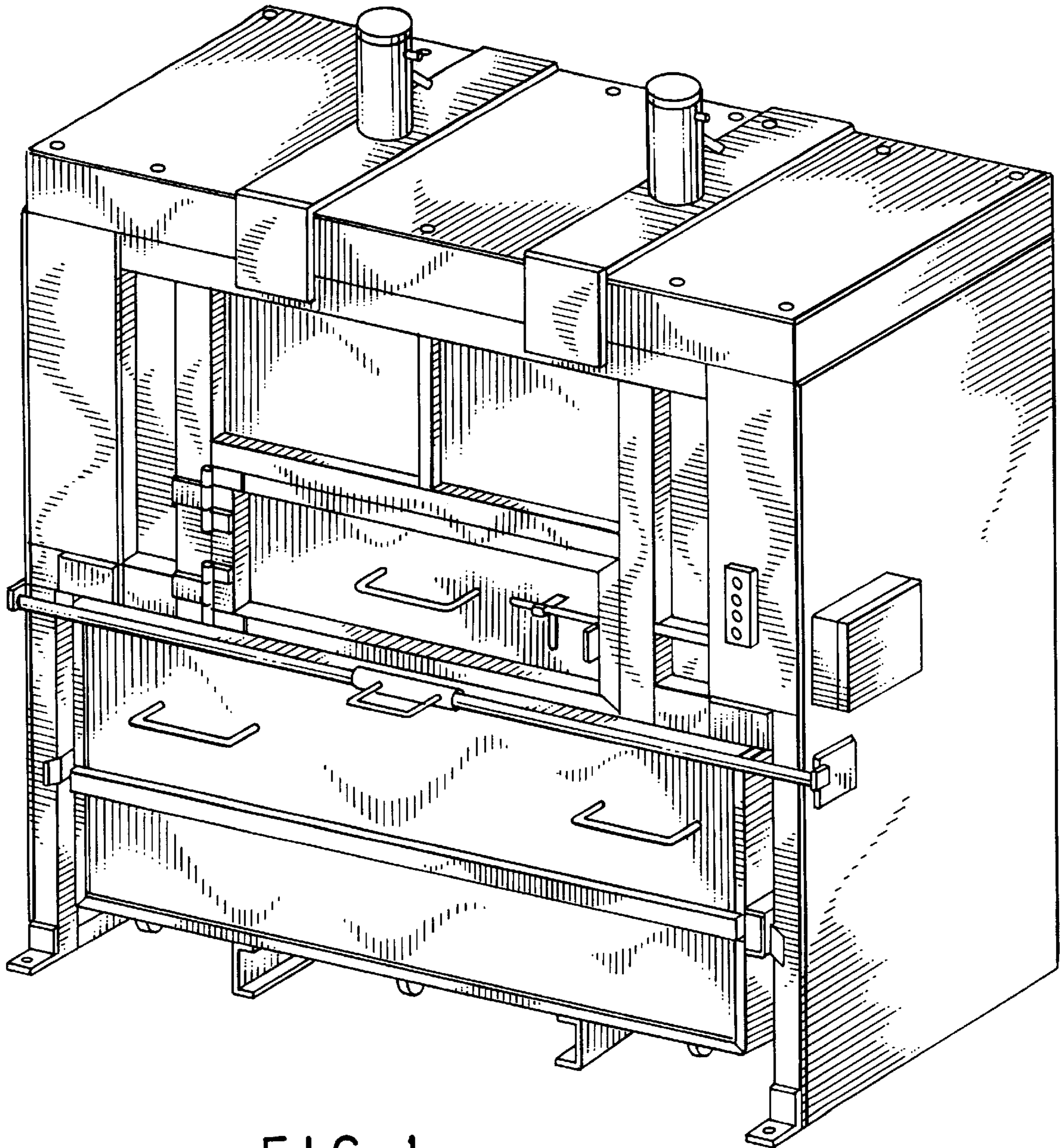


FIG. 1

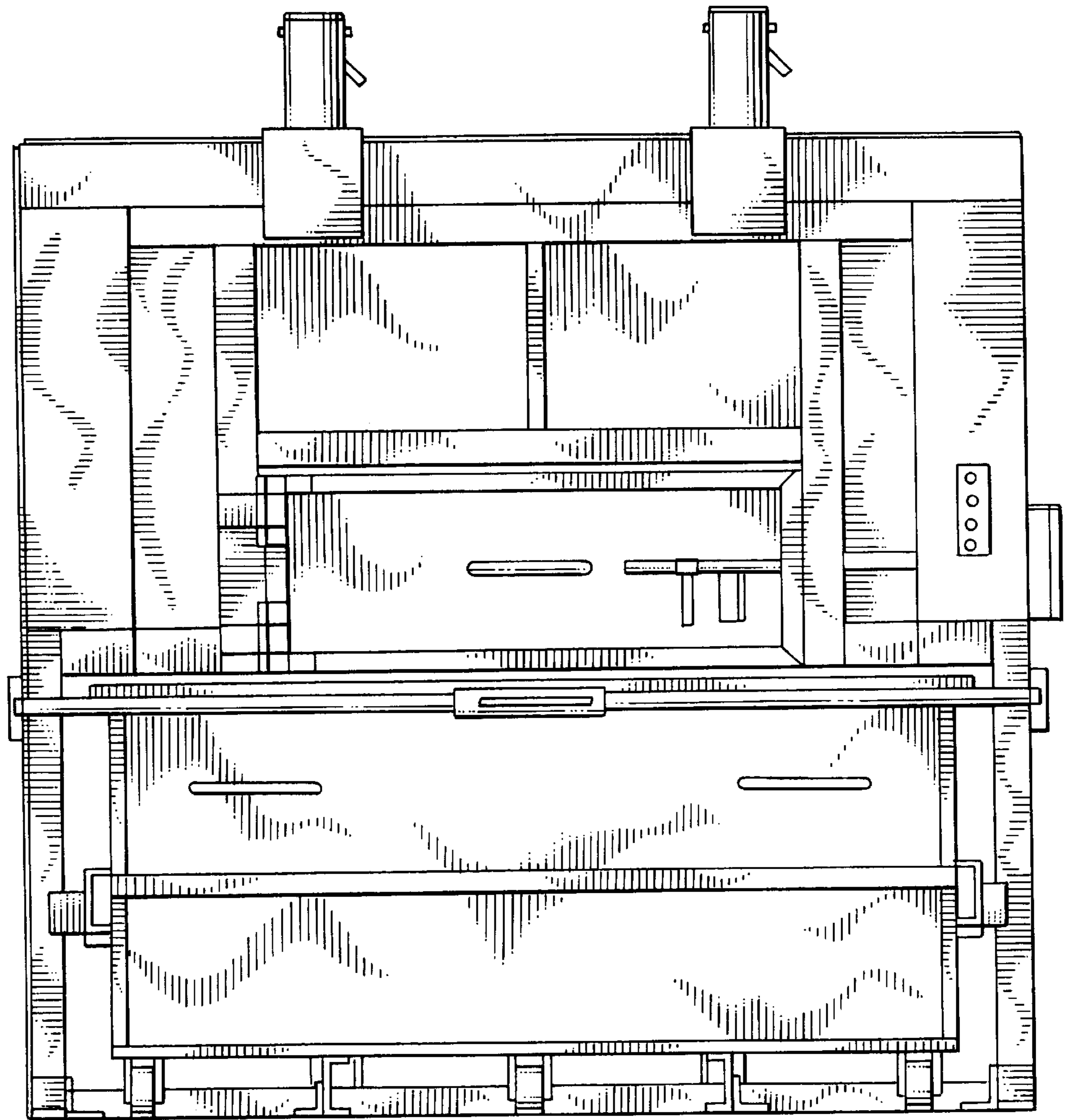


FIG. 2

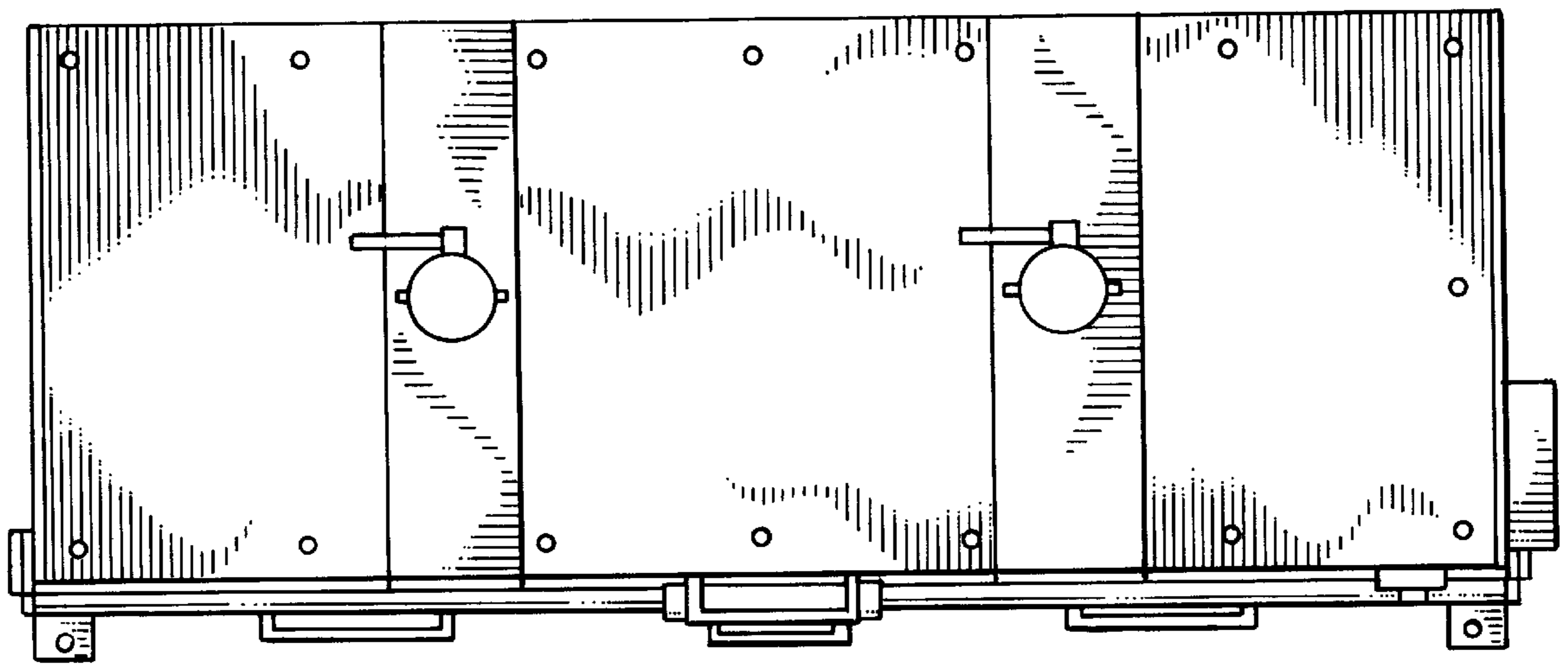


FIG. 3

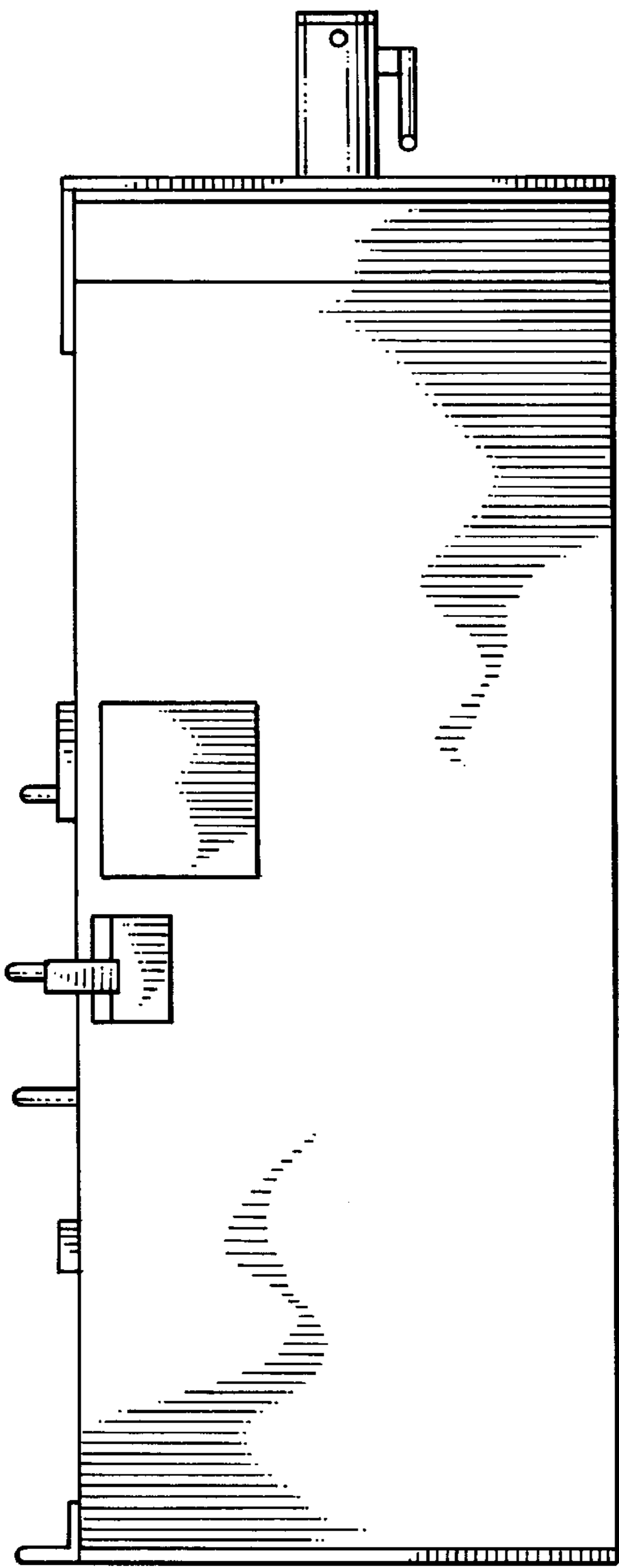


FIG. 4

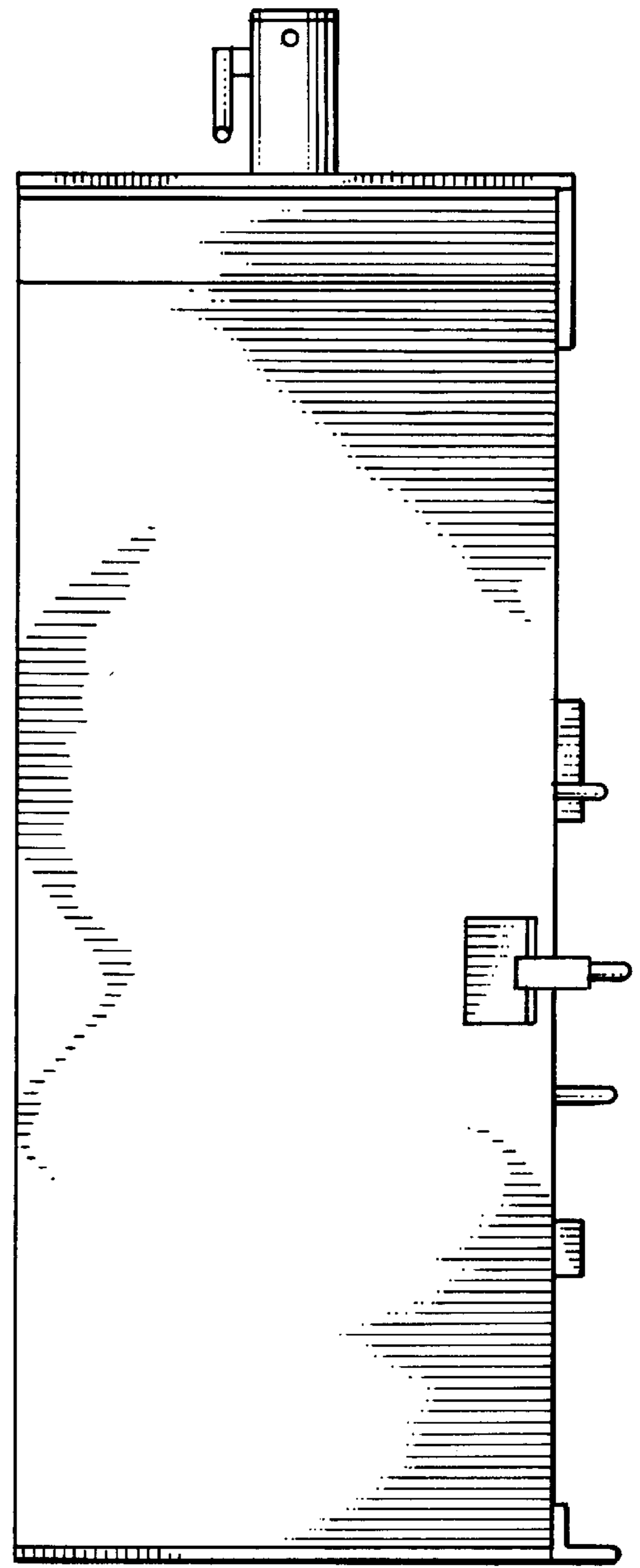


FIG. 5

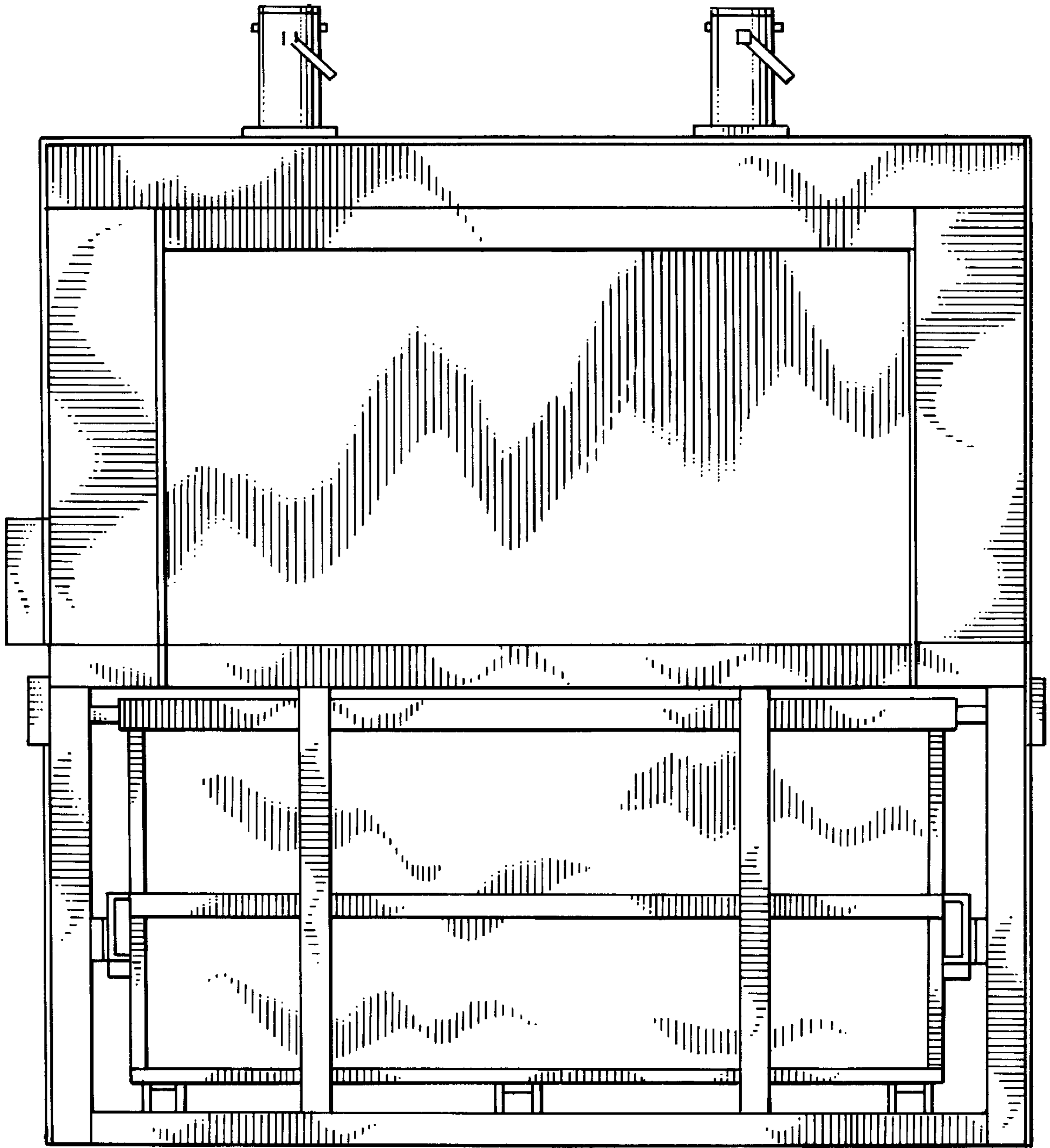


FIG. 6