



US00D413338S

United States Patent [19]

Pueyo Molina

[11] Patent Number: Des. 413,338

[45] Date of Patent: ** Aug. 31, 1999

[54] **TOOTH FOR AN EXCAVATING MACHINE**

[75] Inventor: **Javier Pueyo Molina**, Barcelona, Spain

[73] Assignee: **Metalogenia, S.A.**, Premia de Mar, Spain

[**] Term: **14 Years**

[21] Appl. No.: **29/094,302**

[22] Filed: **Sep. 28, 1998**

[51] **LOC (6) Cl.** **15-04**

[52] **U.S. Cl.** **D15/29**

[58] **Field of Search** D15/10, 28, 29;
37/452-458

[56] **References Cited**

U.S. PATENT DOCUMENTS

D. 329,243	9/1992	Robinson	D15/29
D. 336,304	6/1993	Robinson	D15/29
D. 345,364	3/1994	Robinson	D15/29
D. 365,109	12/1995	Robinson et al.	D15/28
D. 389,844	1/1998	Moreno	D15/29
D. 391,583	3/1998	Moreno	D15/29
D. 395,661	6/1998	Moreno	D15/29
3,959,901	6/1976	Klett	.	

Primary Examiner—Sandra L. Morris
Attorney, Agent, or Firm—Darby & Darby

[57] **CLAIM**

The ornamental design for a tooth for an excavating machine, as shown and described.

DESCRIPTION

FIG. 1 is a perspective view as viewed from the top showing my new design of a tooth for an excavating machine;

FIG. 2 is a perspective view as viewed from the bottom thereof;

FIG. 3 is a perspective view as viewed from the bottom left thereof;

FIG. 4 is a sectional view thereof taken along line 4—4 of FIG. 5;

FIG. 5 is a top plan view thereof;

FIG. 6 is a bottom plan view thereof;

FIG. 7 is a front elevation view thereof, the rear elevational view being a mirror image;

FIG. 8 is a sectional view thereof taken on line 8—8 of FIG. 7;

FIG. 9 is a perspective view as viewed from the top of a second embodiment thereof;

FIG. 10 is a perspective view as viewed from the bottom thereof;

FIG. 11 is a perspective view as viewed from the bottom left thereof;

FIG. 12 is a sectional view thereof taken along line 12—12 of FIG. 13;

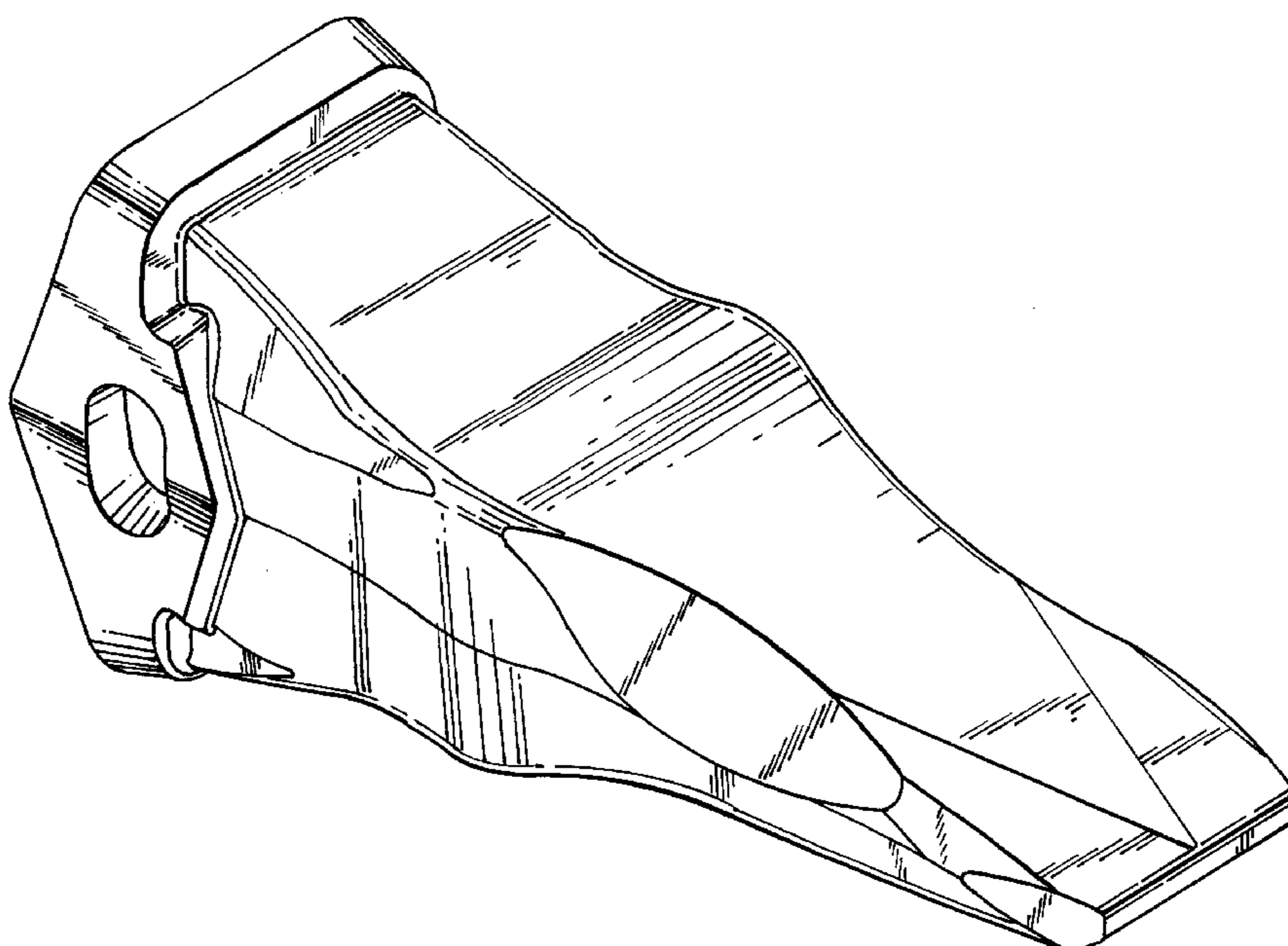
FIG. 13 is a top plan view thereof;

FIG. 14 is a bottom plan view thereof;

FIG. 15 is a front elevational view thereof, the rear elevational view being a mirror image; and,

FIG. 16 is a sectional view thereof taken on line 16—16 of FIG. 15.

1 Claim, 10 Drawing Sheets



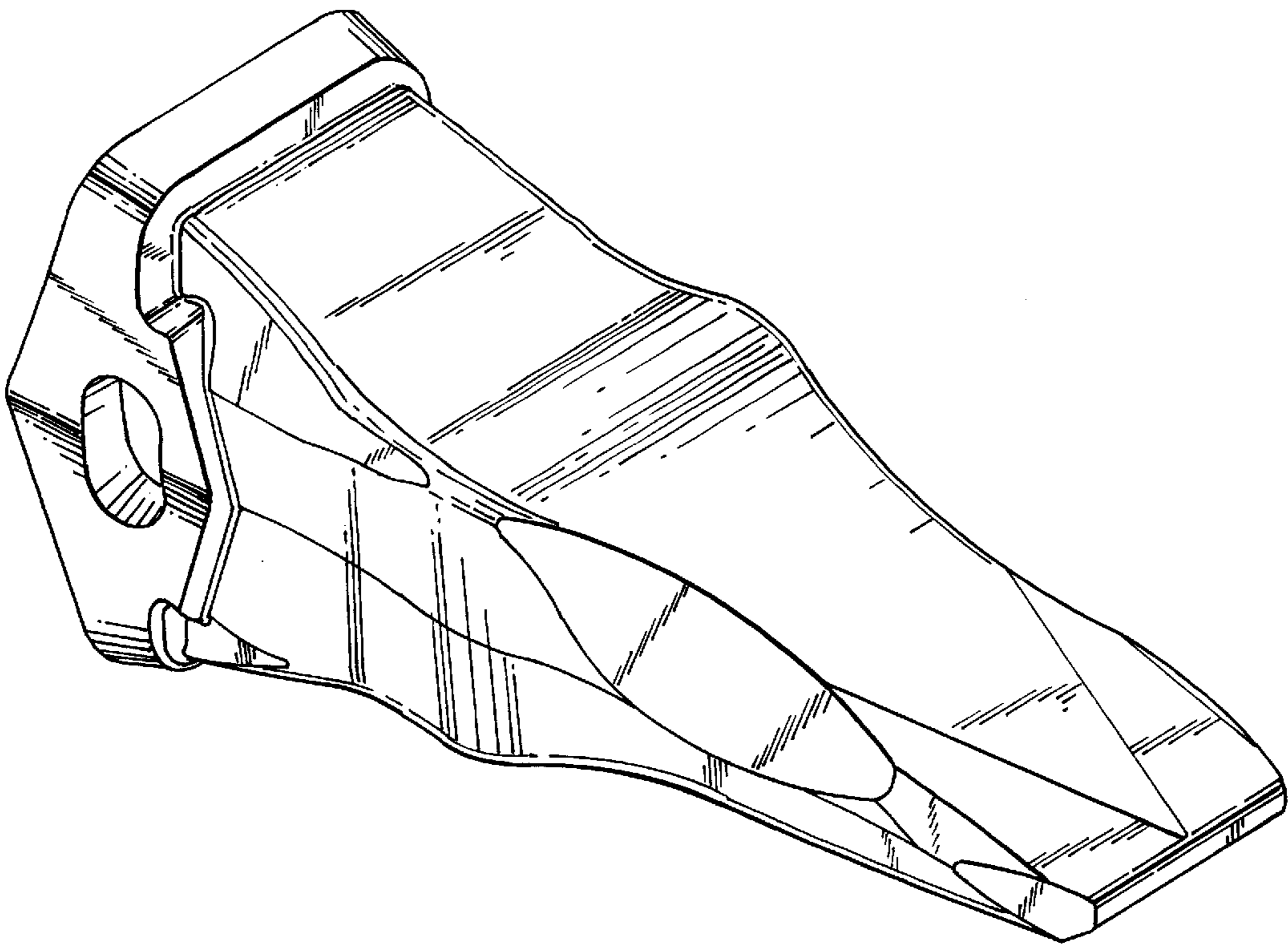


Fig. 1

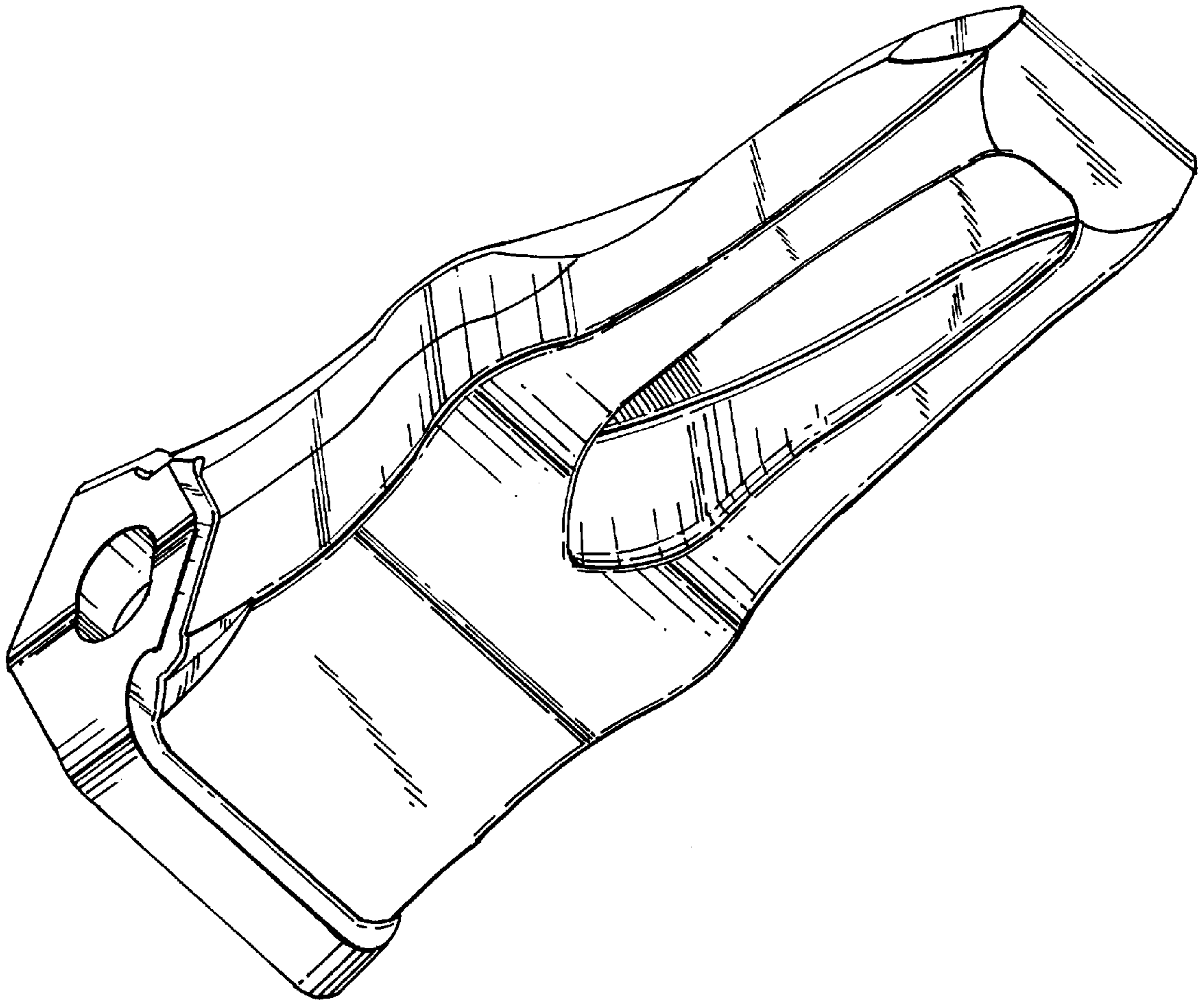


Fig. 2

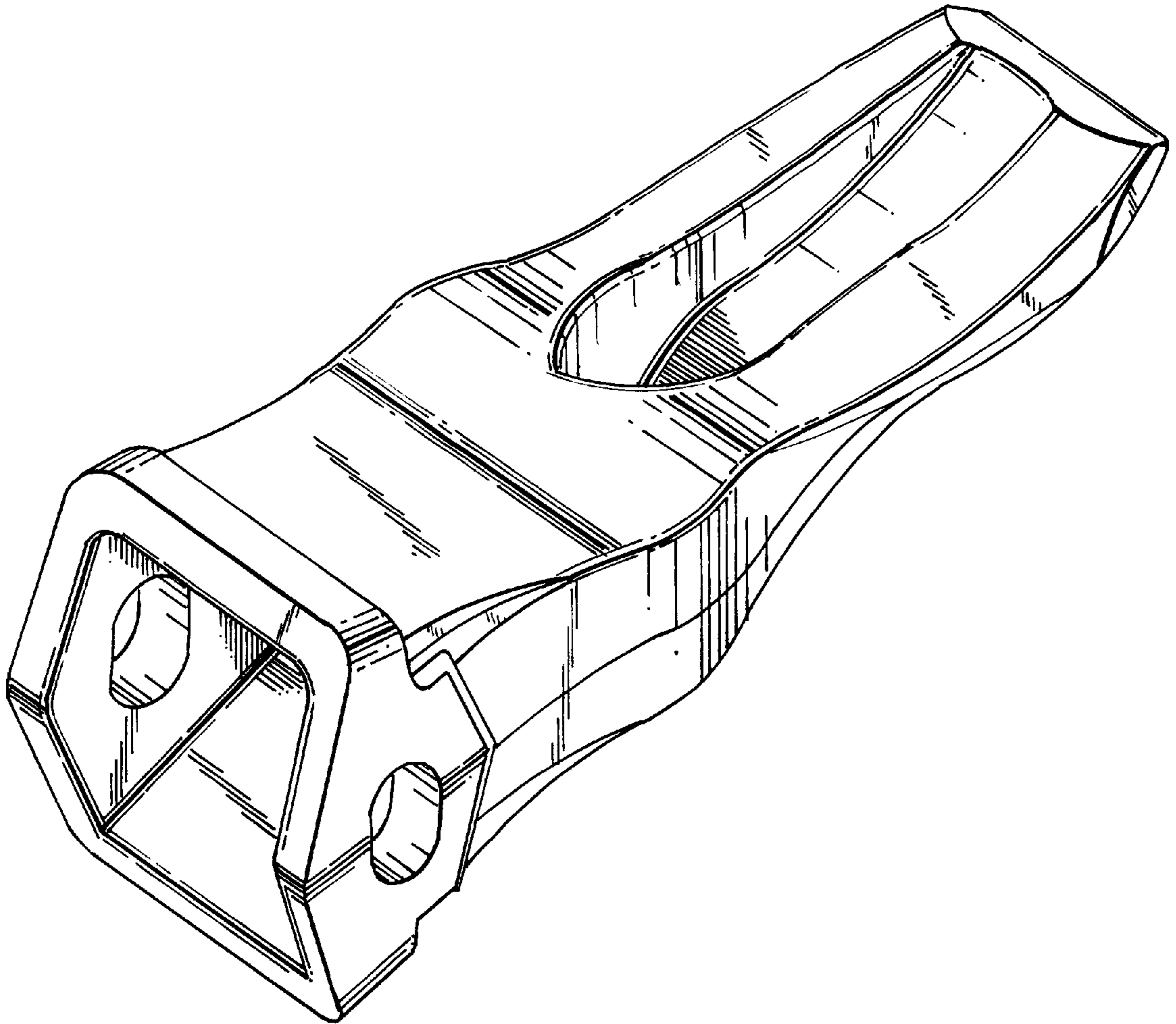


Fig. 3

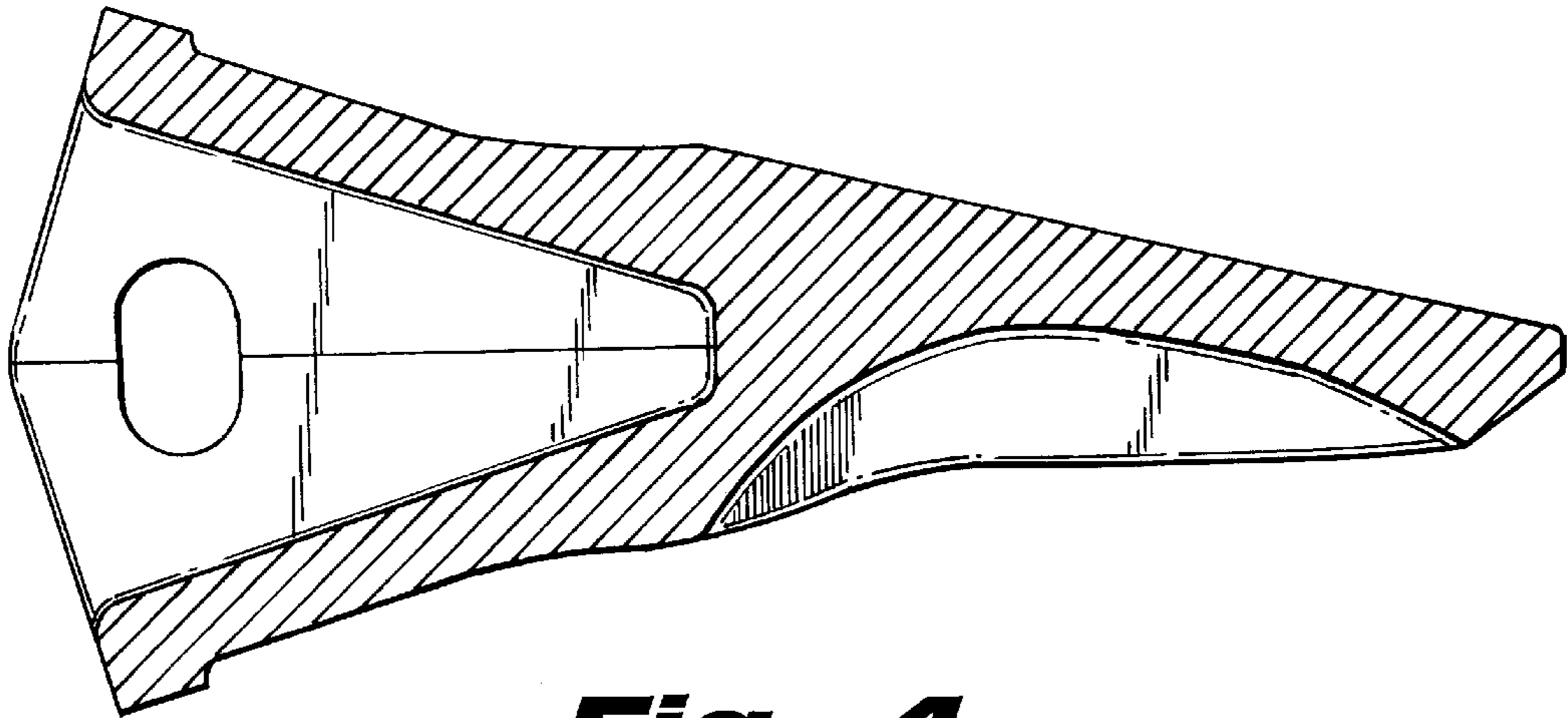


Fig. 4

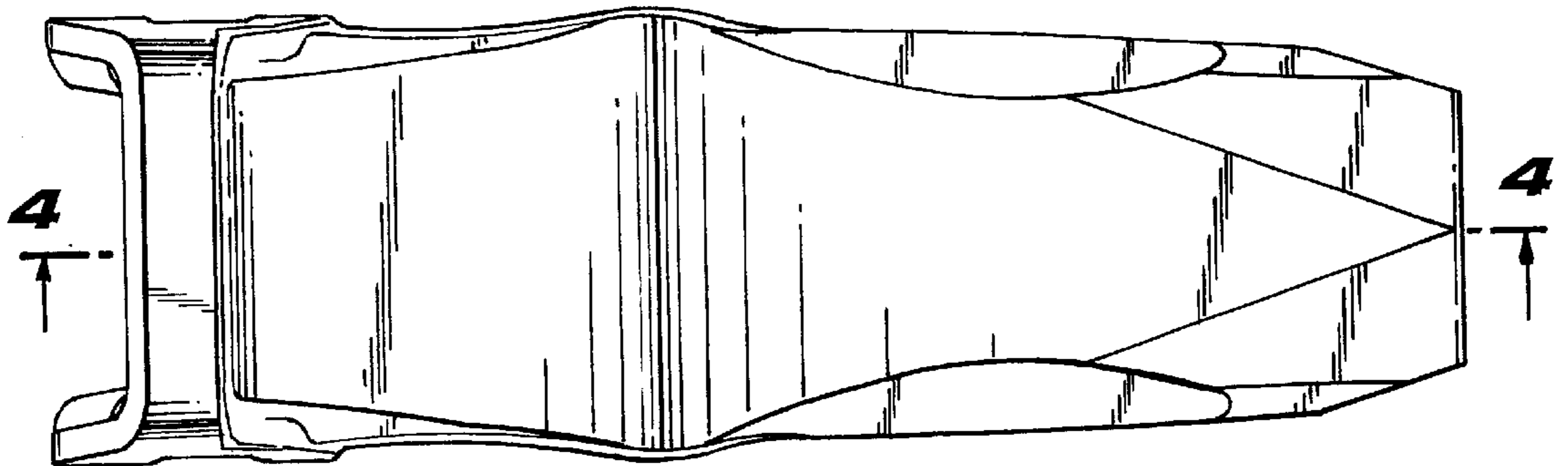


Fig. 5

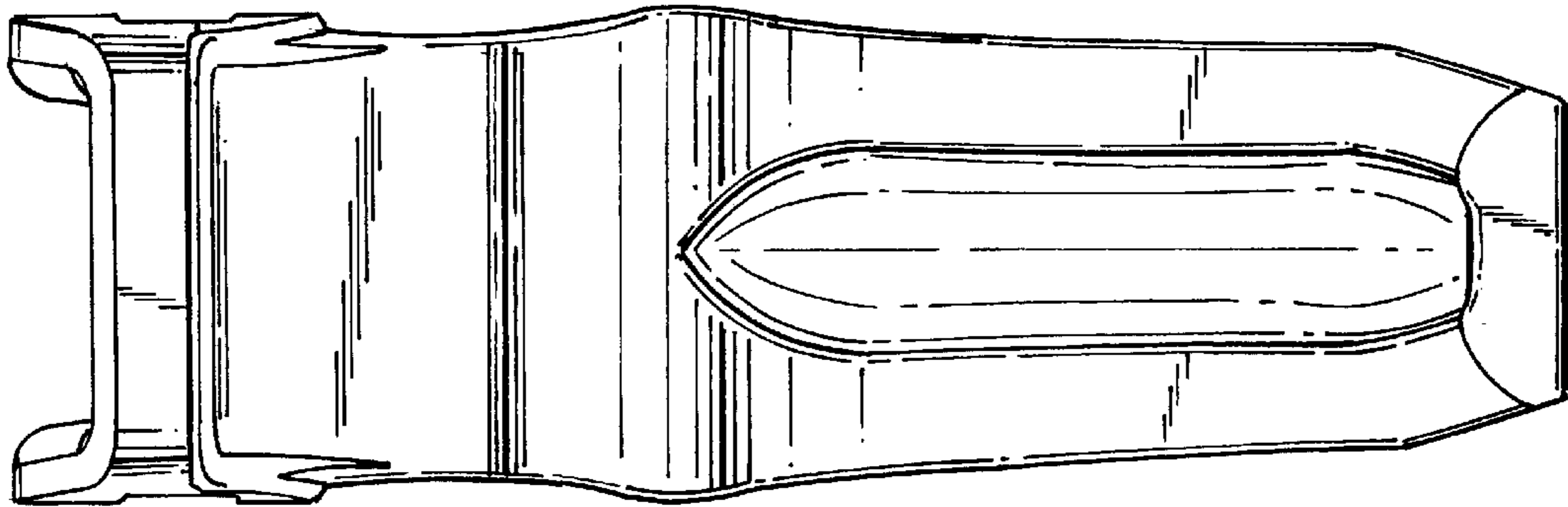


Fig. 6

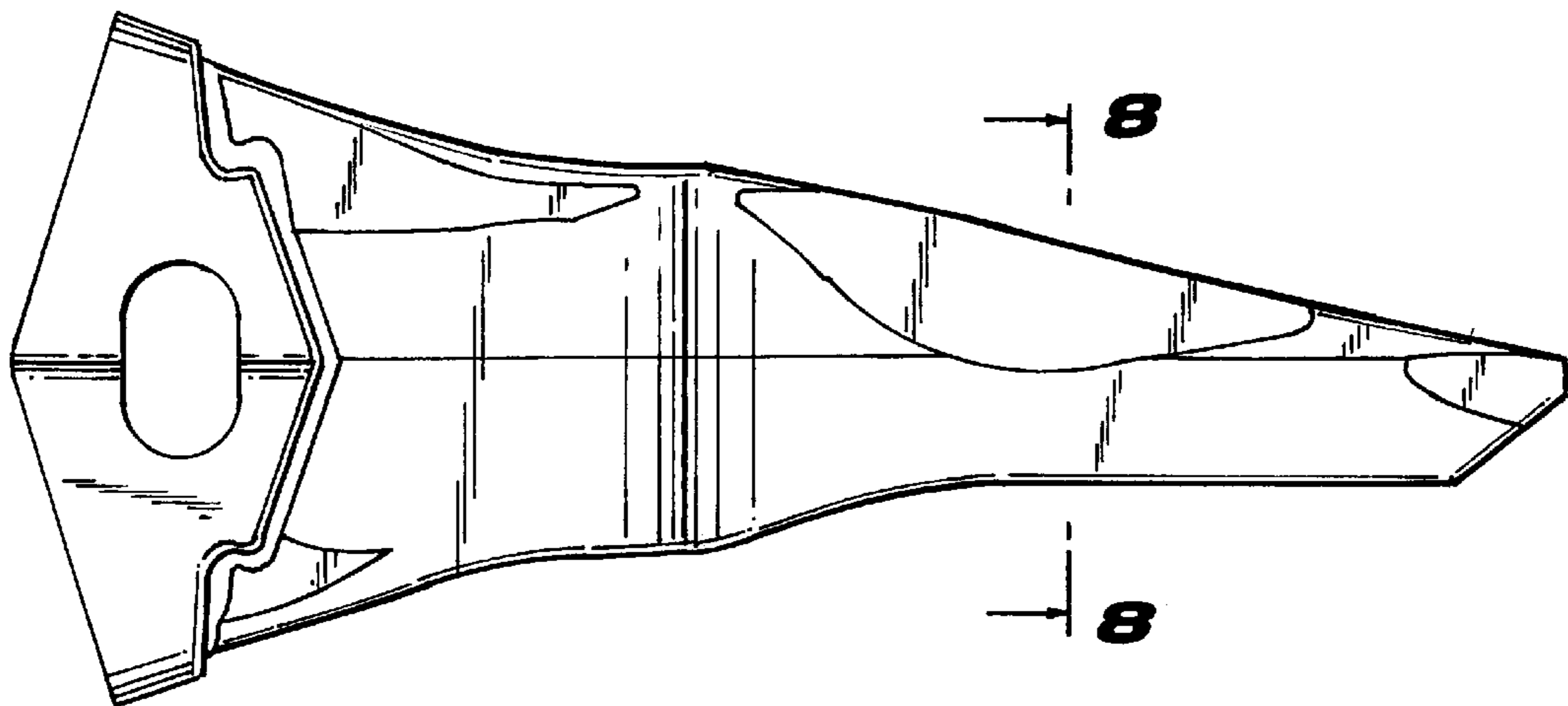


Fig. 7

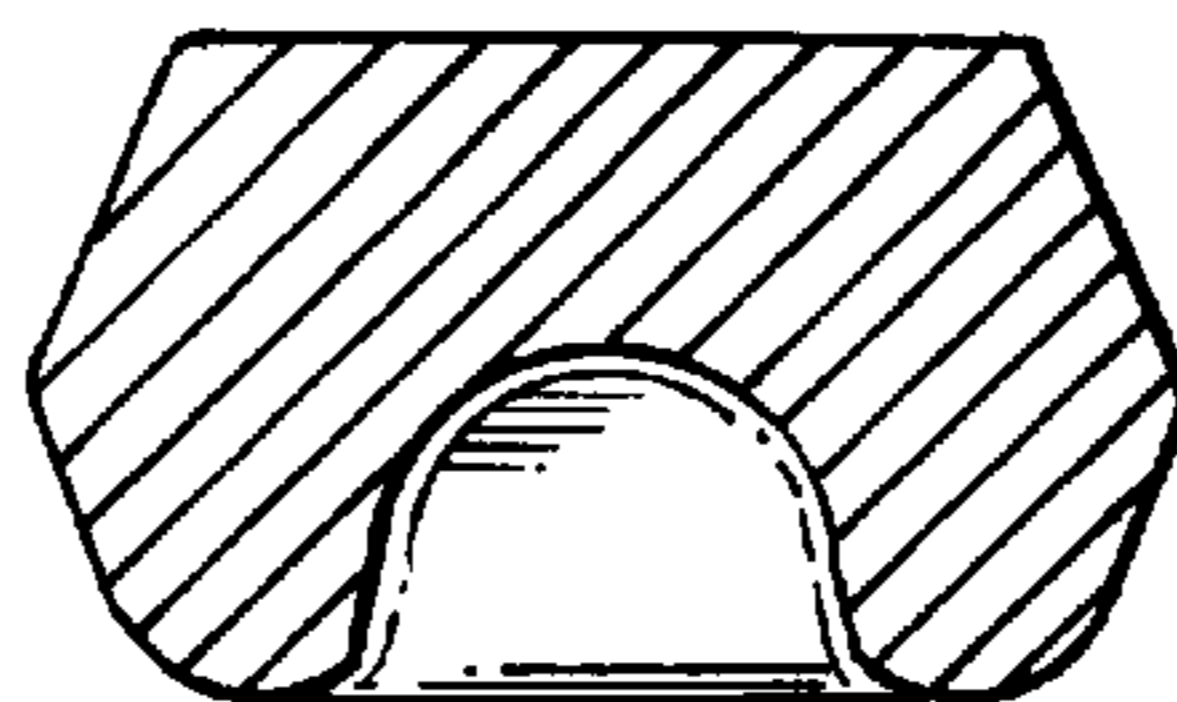


Fig. 8

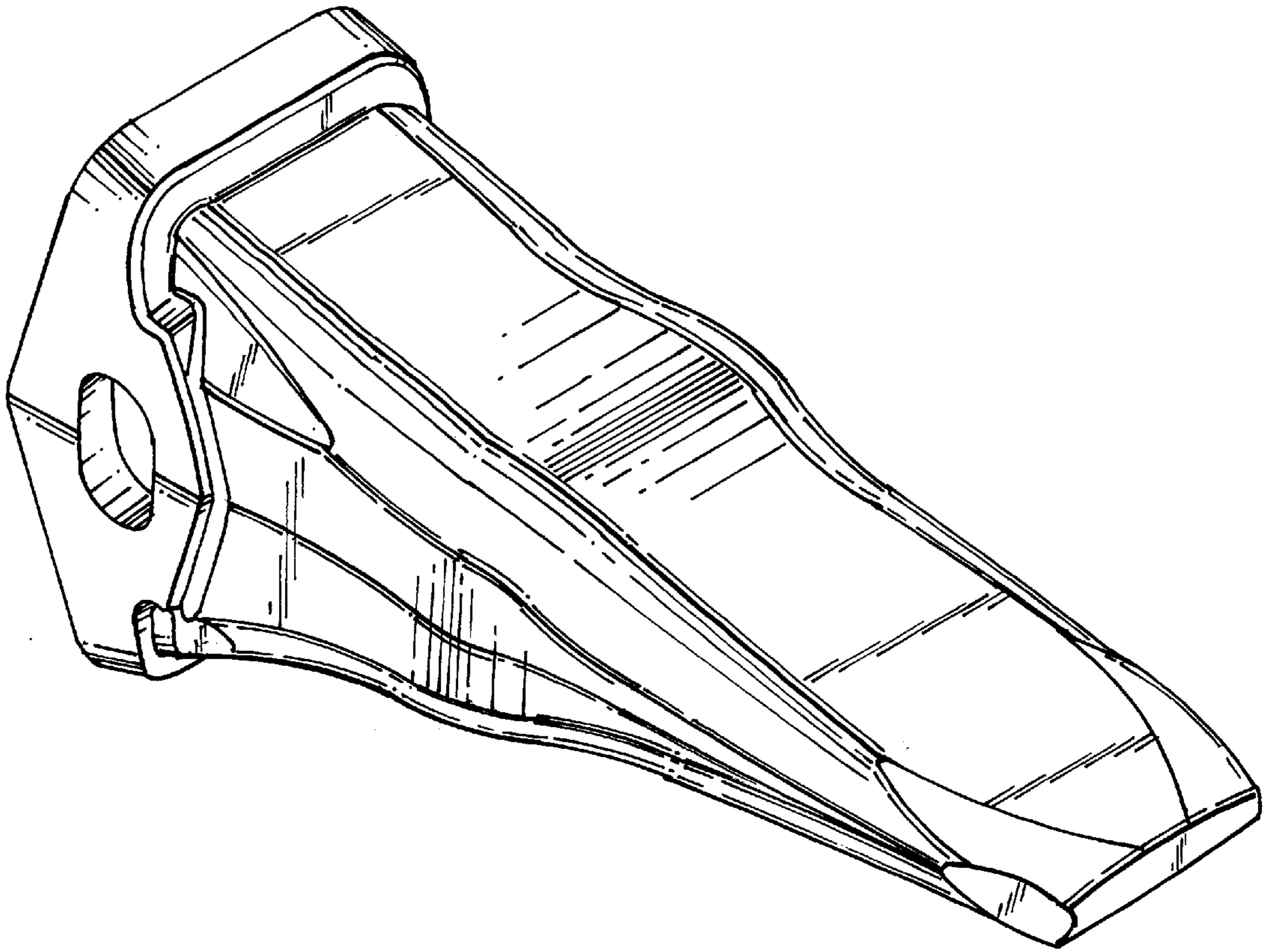


Fig. 9

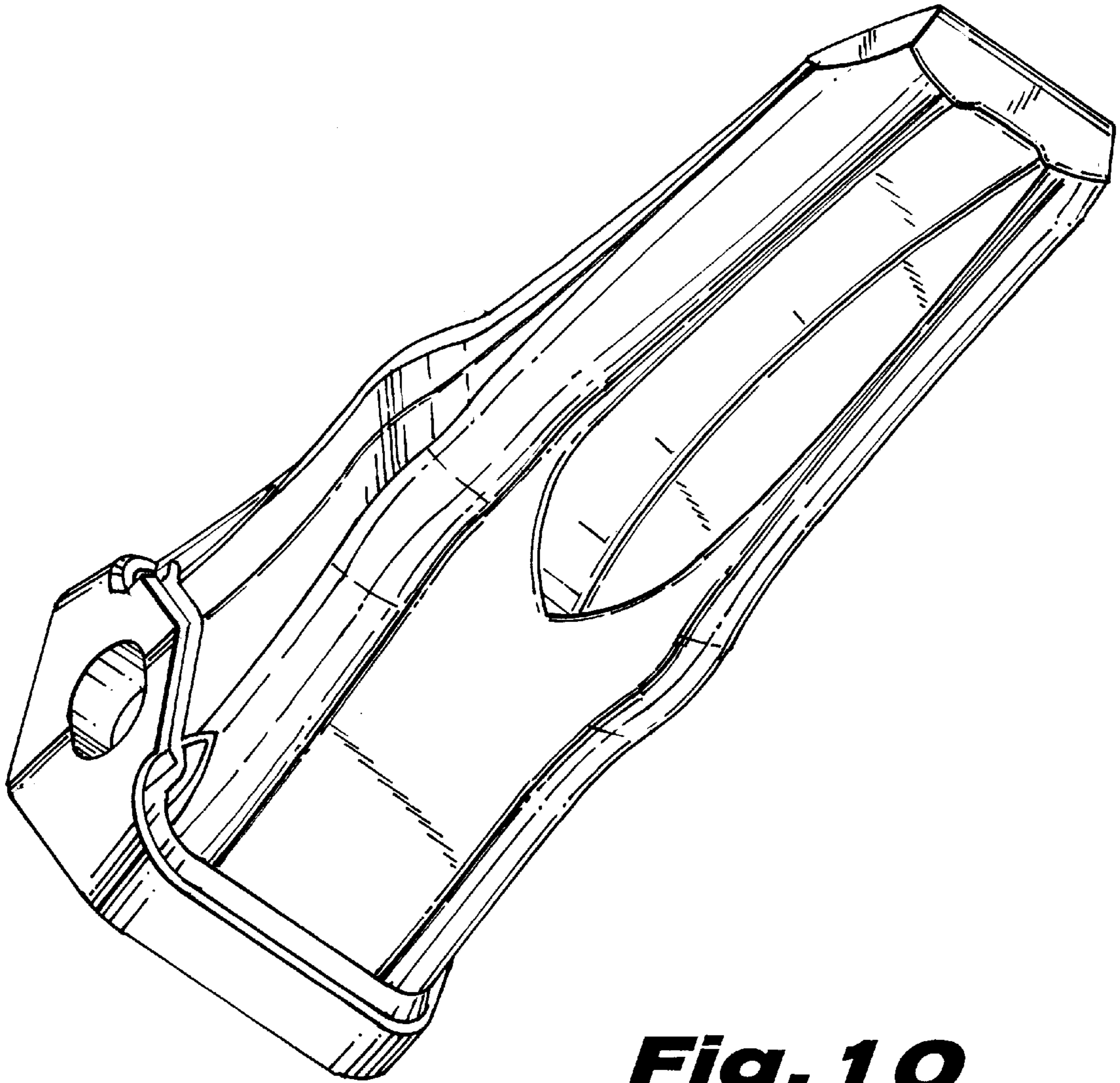


Fig. 10

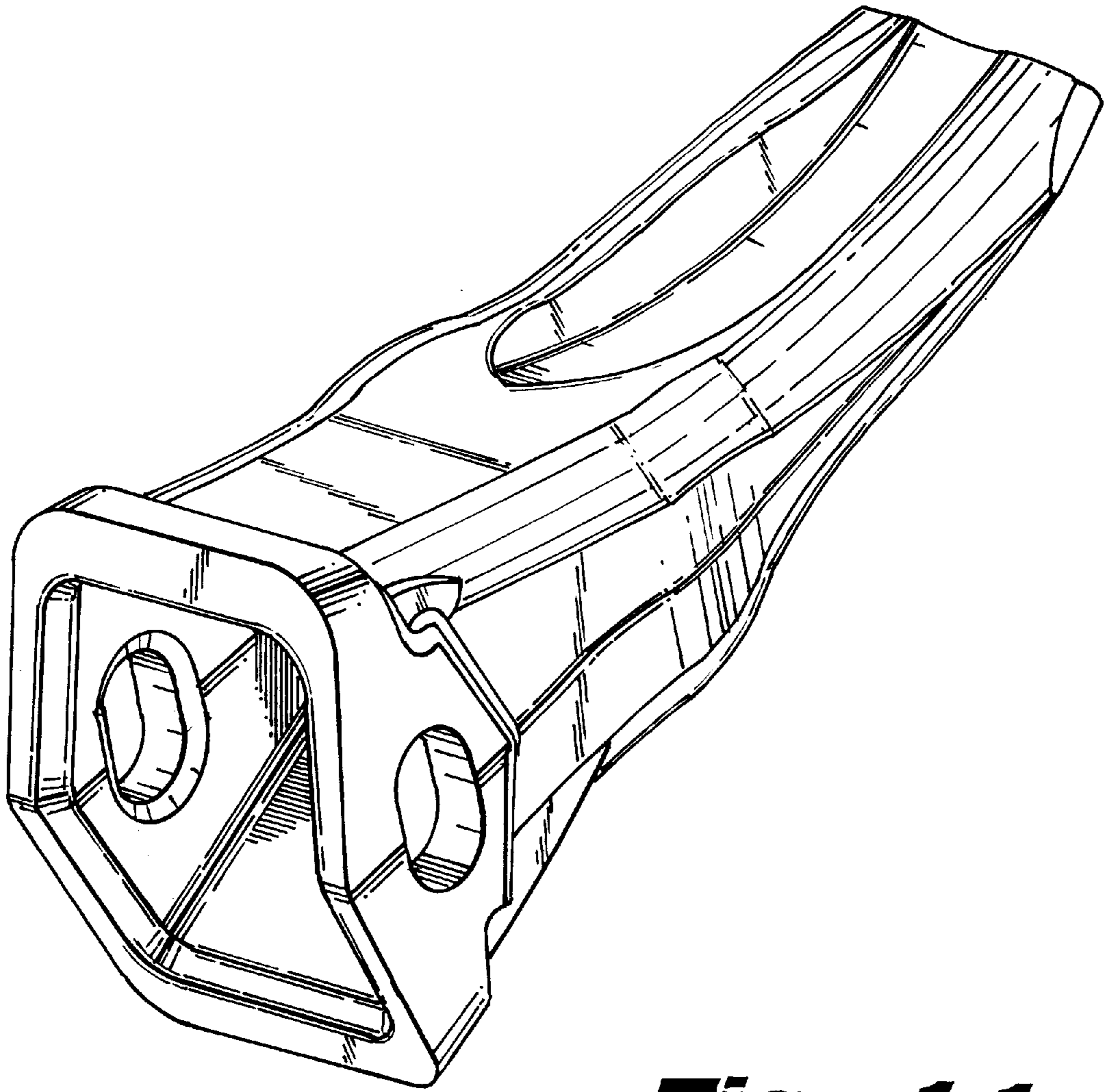


Fig. 11

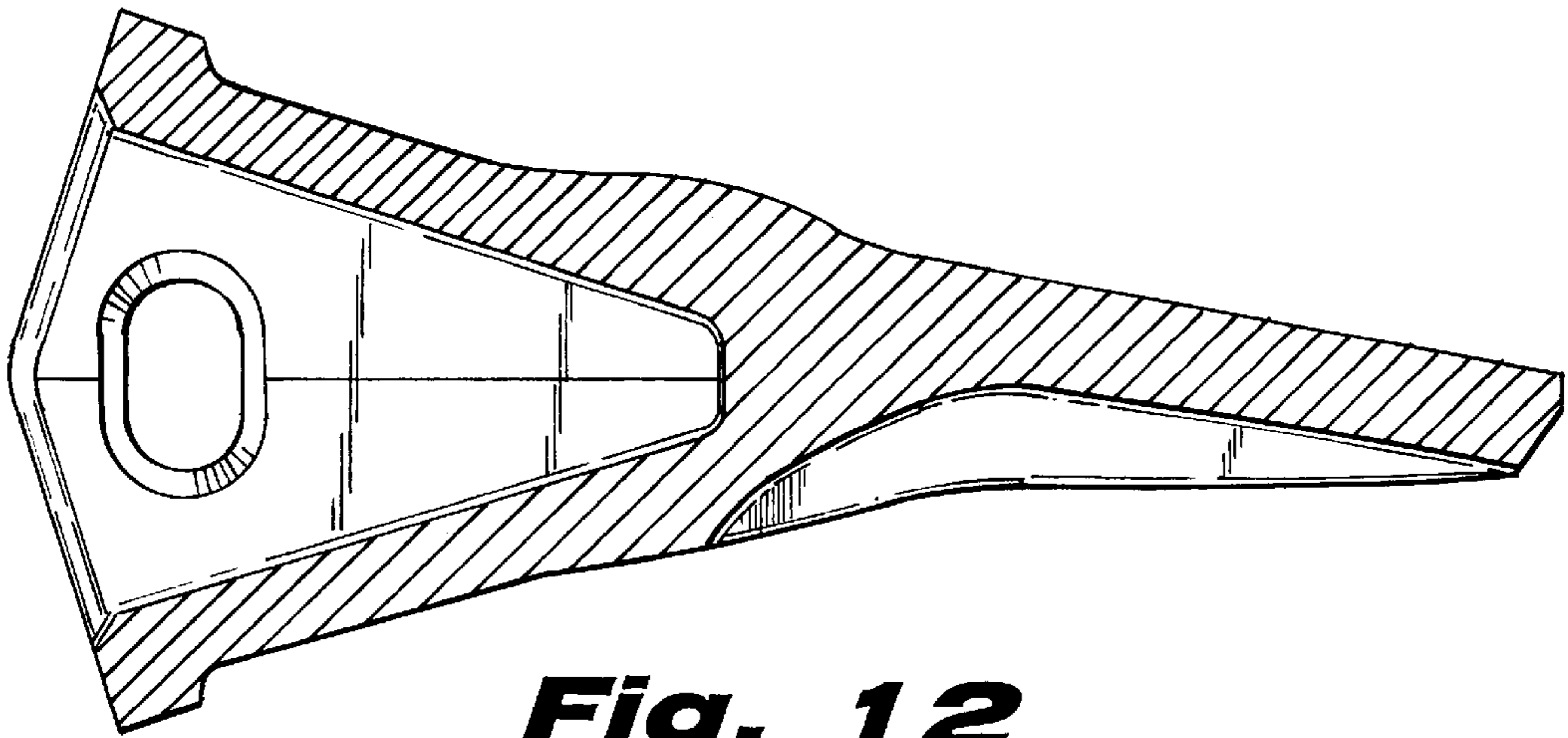


Fig. 12

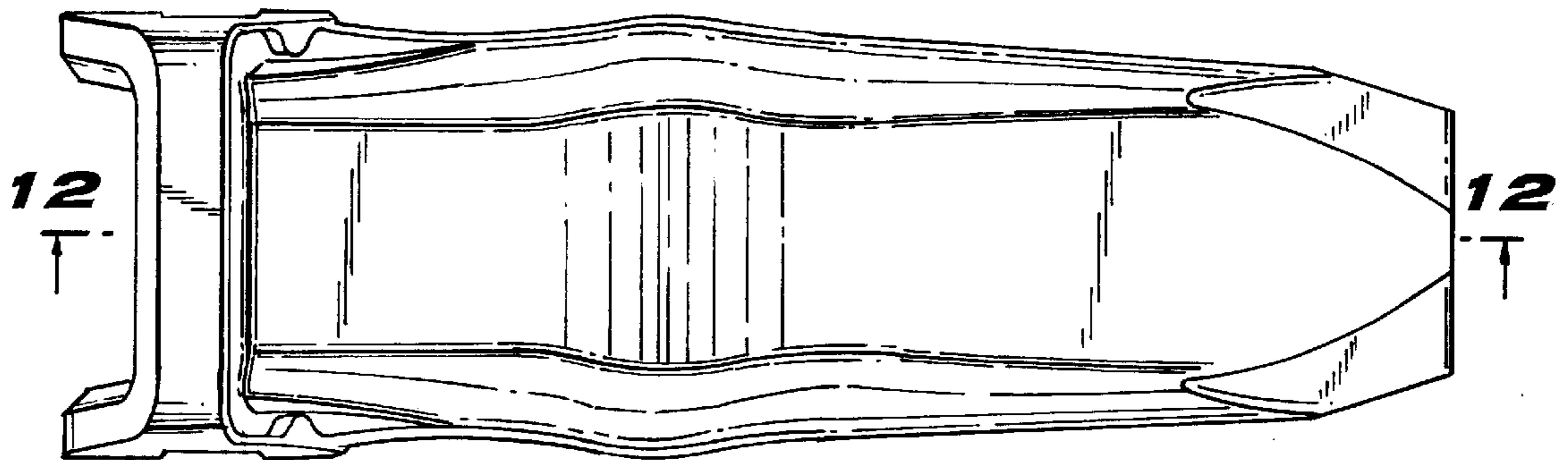


Fig. 13

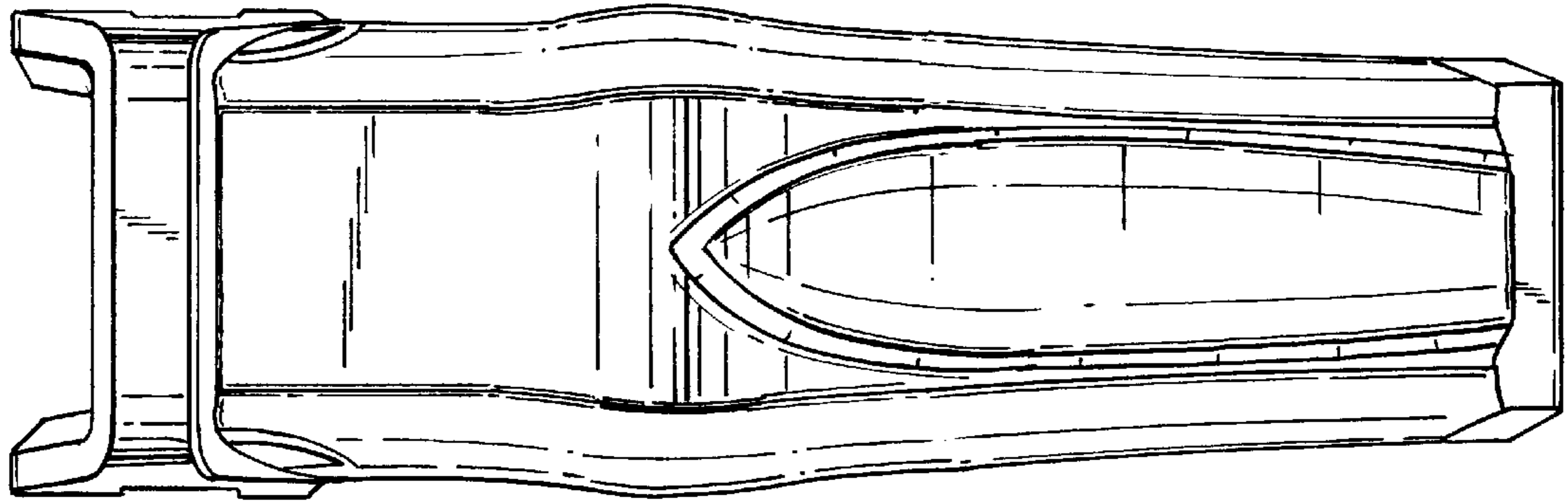


Fig. 14

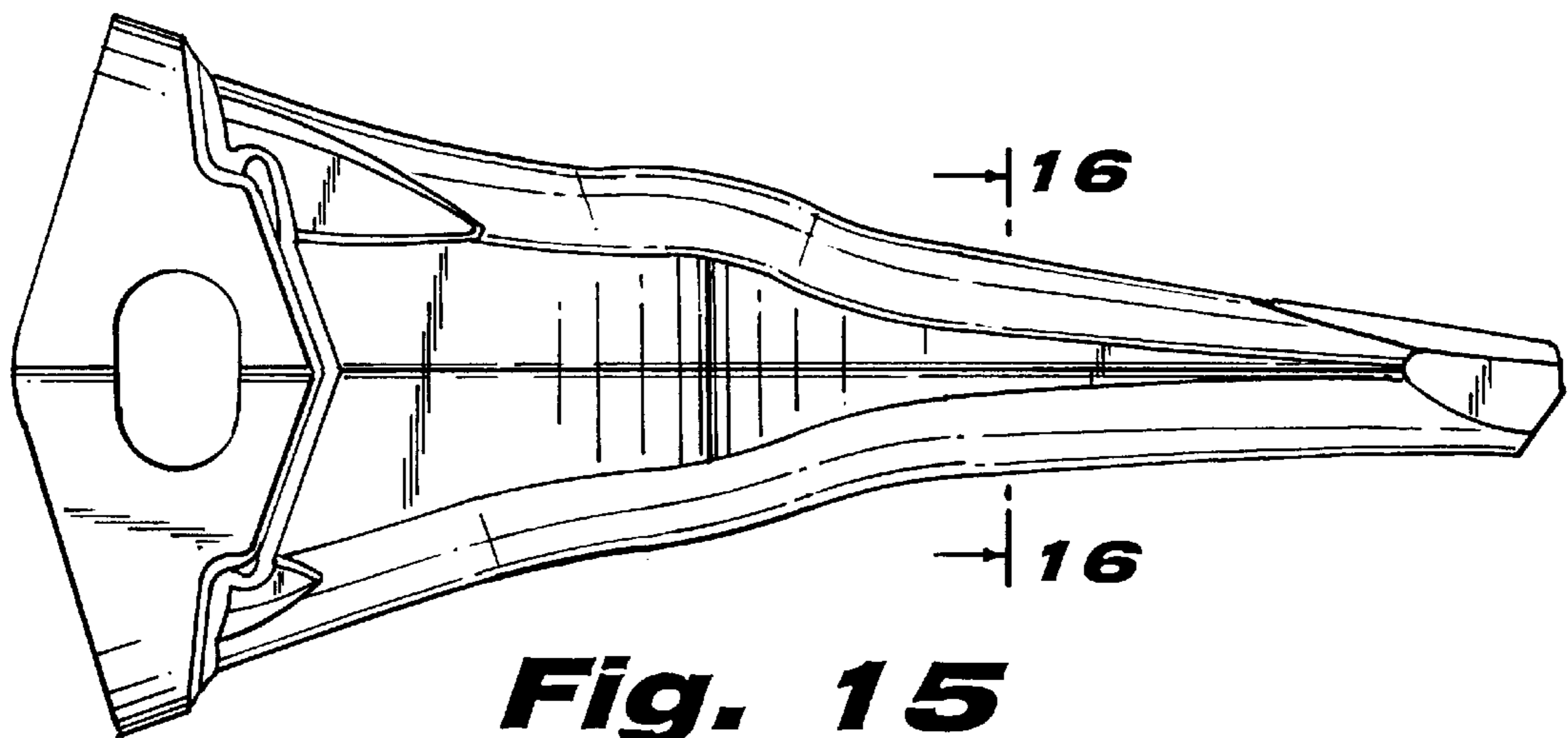


Fig. 15

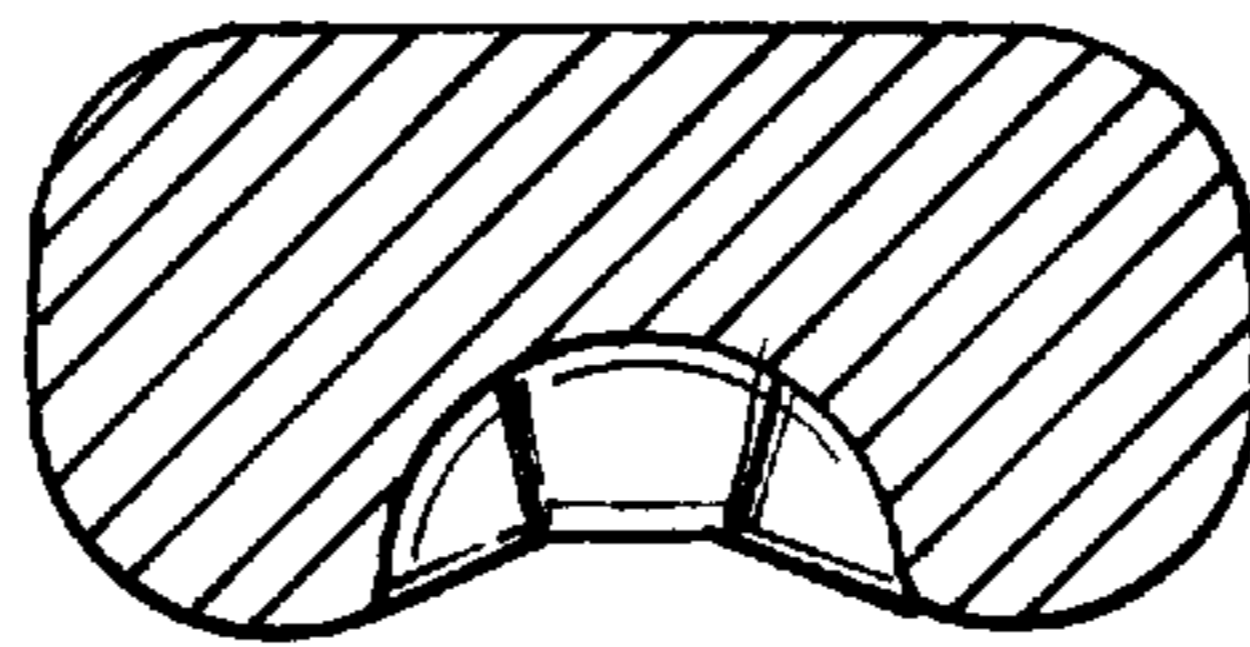


Fig. 16

UNITED STATES PATENT AND TRADEMARK OFFICE
CERTIFICATE OF CORRECTION

PATENT NO. : Des. 413,338
DATED : August 31, 1999
INVENTOR(S) : Javier Pueyo Molina

It is certified that error appears in the above-identified patent and that said Letters Patent is hereby corrected as shown below:

Title page, insert the following:

--[30] Foreign Application Priority Data
March 31, 1998 [ES] Spain..... 142.433
June 10, 1998 [ES] Spain 142.956--.

Signed and Sealed this
Fourteenth Day of March, 2000

Attest:



Q. TODD DICKINSON

Attesting Officer

Commissioner of Patents and Trademarks