



US00D413331S

# United States Patent [19] Martinson

[11] Patent Number: **Des. 413,331**

[45] Date of Patent: **\*\* Aug. 31, 1999**

[54] **MOBILE TELEPHONE HOUSING**

[75] Inventor: **Richard E. Martinson**, Sykesville, Md.

[73] Assignee: **Westinghouse Electric Corporation**,  
Pittsburgh, Pa.

[\*\*] Term: **14 Years**

[21] Appl. No.: **29/078,964**

[22] Filed: **Oct. 13, 1997**

D. 285,558	9/1986	Isaacs .....	D14/240
D. 286,635	11/1986	Yuen .....	D14/243
D. 286,776	11/1986	Pushelberg .....	D14/149
D. 327,886	7/1992	Yan .....	D14/155 X
D. 353,144	12/1994	Brandt et al. ....	D14/242
D. 368,097	3/1996	Heberling et al. ....	D14/242
D. 372,248	7/1996	Tahmassebpur .....	D14/242
D. 374,222	10/1996	Brandt .....	D14/118
D. 375,735	11/1996	Tochishita .....	D14/144
D. 405,799	2/1999	Ino .....	D14/240

*Primary Examiner*—Jeffrey Asch  
*Attorney, Agent, or Firm*—Robert P. Lenart

### Related U.S. Application Data

[63] Continuation-in-part of application No. 29/045,676, Oct. 26, 1995, abandoned.

[51] **LOC (6) Cl.** ..... **14-03**

[52] **U.S. Cl.** ..... **D14/240; D14/107; D14/144**

[58] **Field of Search** ..... D14/137, 138,  
D14/140, 142, 147, 148, 240, 242, 256,  
107, 243, 155, 159, 118, 149, 141, 144;  
455/90, 550-575; 379/419, 420, 428, 440,  
441, 442

### [56] References Cited

#### U.S. PATENT DOCUMENTS

D. 239,838	5/1976	Crimmins .....	D14/149
D. 284,368	6/1986	Stansbury, Jr. ....	D14/141

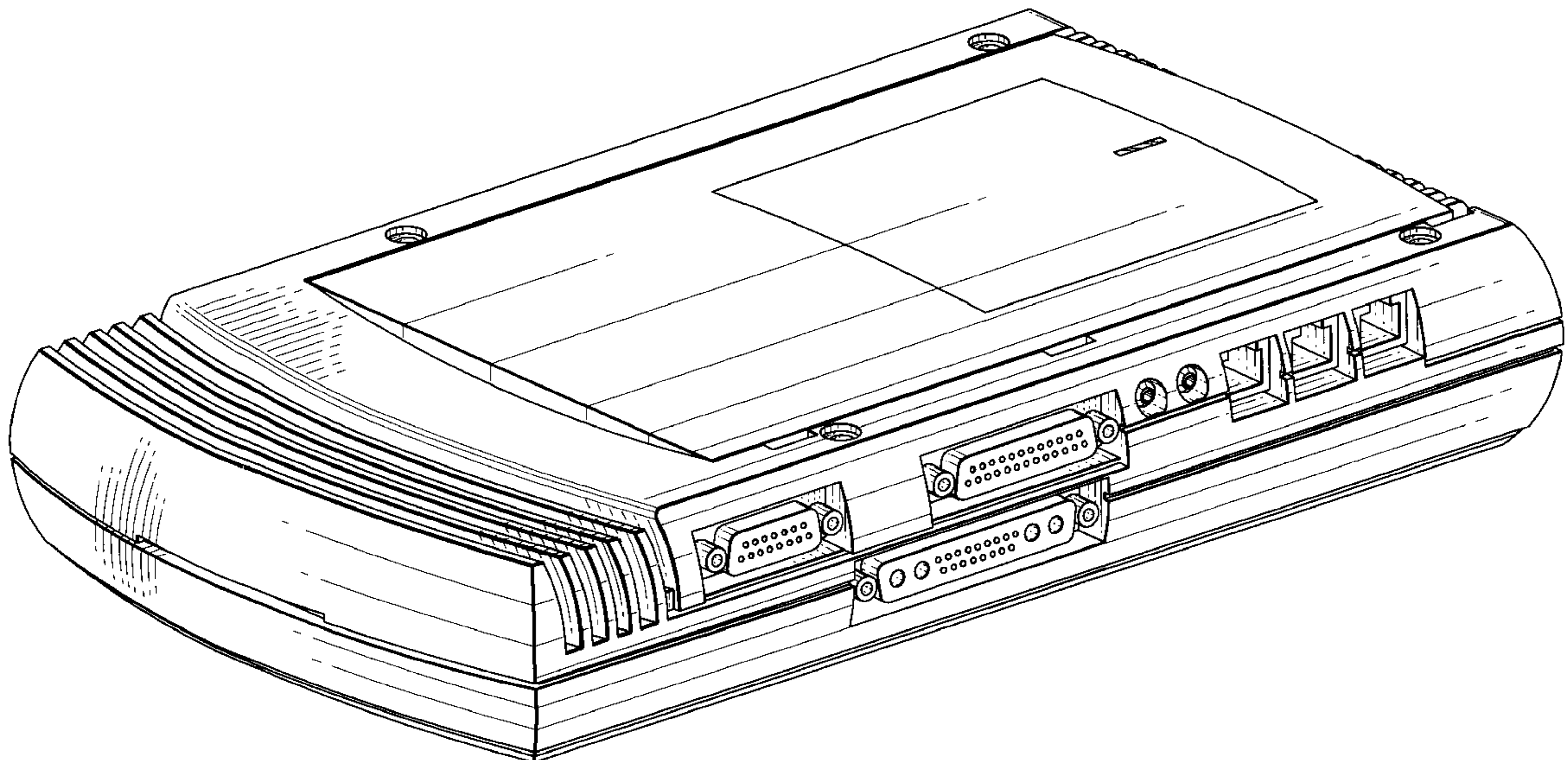
### [57] CLAIM

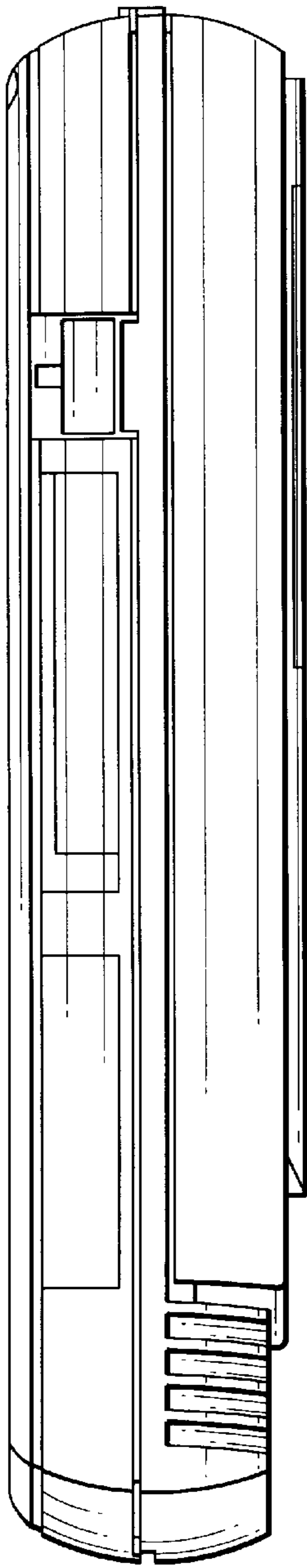
The ornamental design for a mobile telephone housing, as shown and described.

### DESCRIPTION

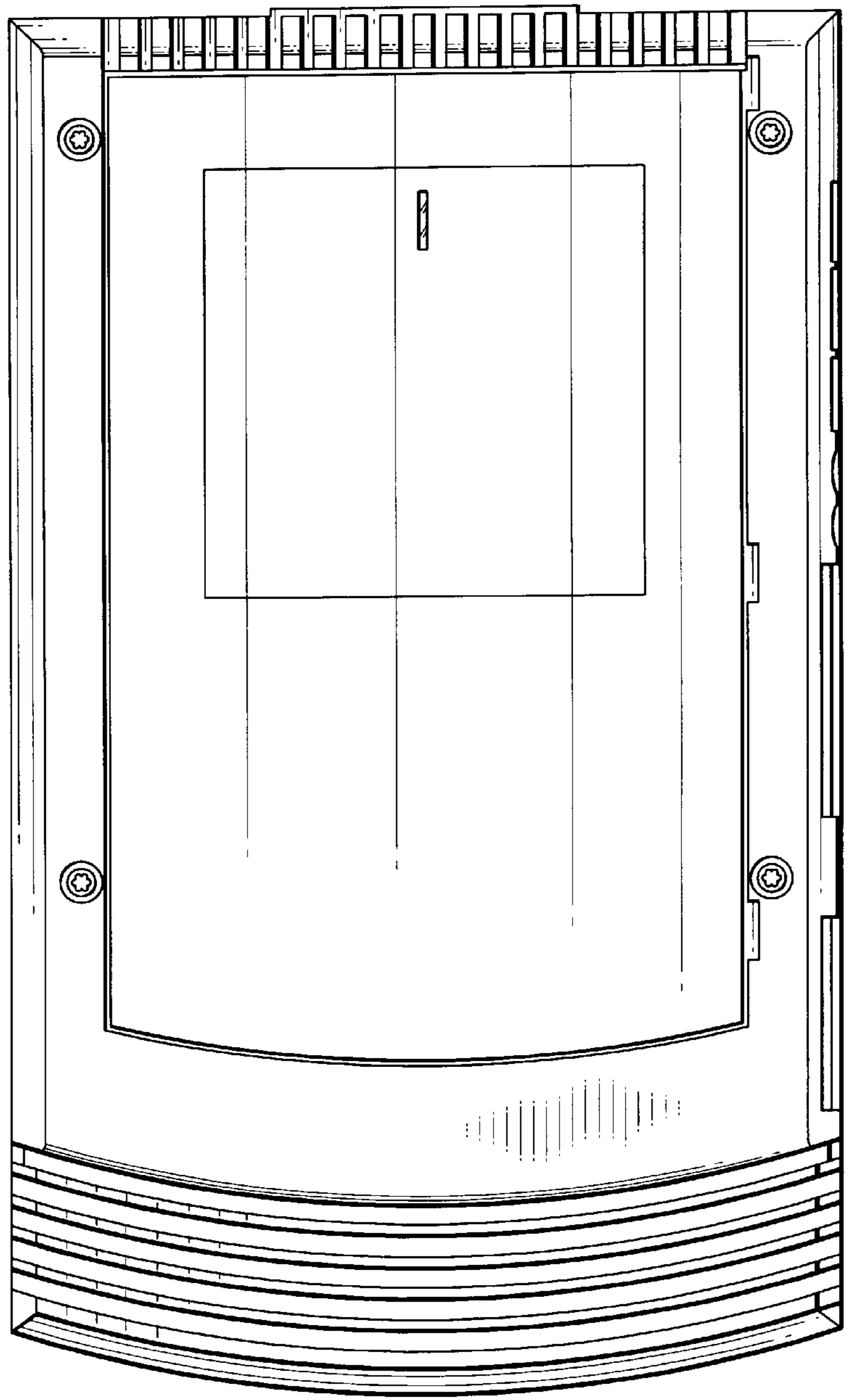
FIG. 1 is a left view of a mobile telephone housing, showing my new design;  
FIG. 2 is a top view thereof;  
FIG. 3 is a right view thereof;  
FIG. 4 is a bottom view thereof;  
FIG. 5 is a front view thereof;  
FIG. 6 is a rear view thereof; and,  
FIG. 7 is a perspective view illustrating the top, right and front views thereof.

**1 Claim, 4 Drawing Sheets**

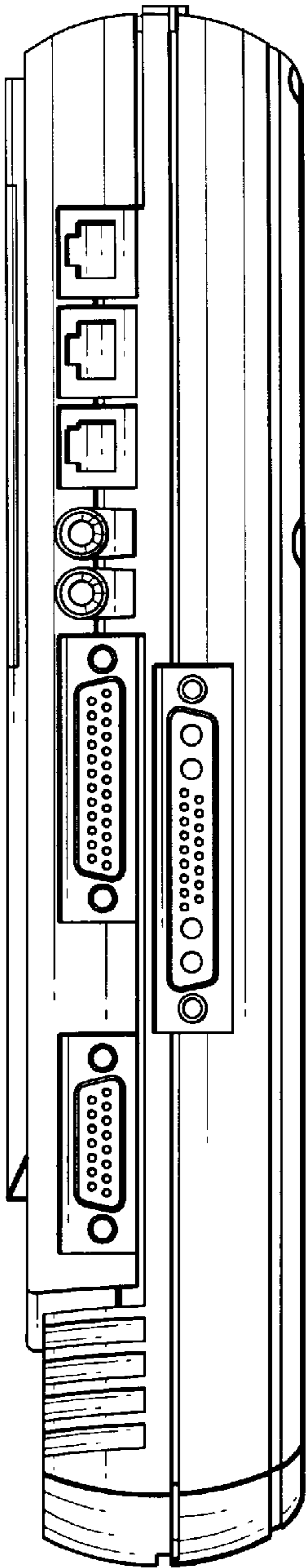




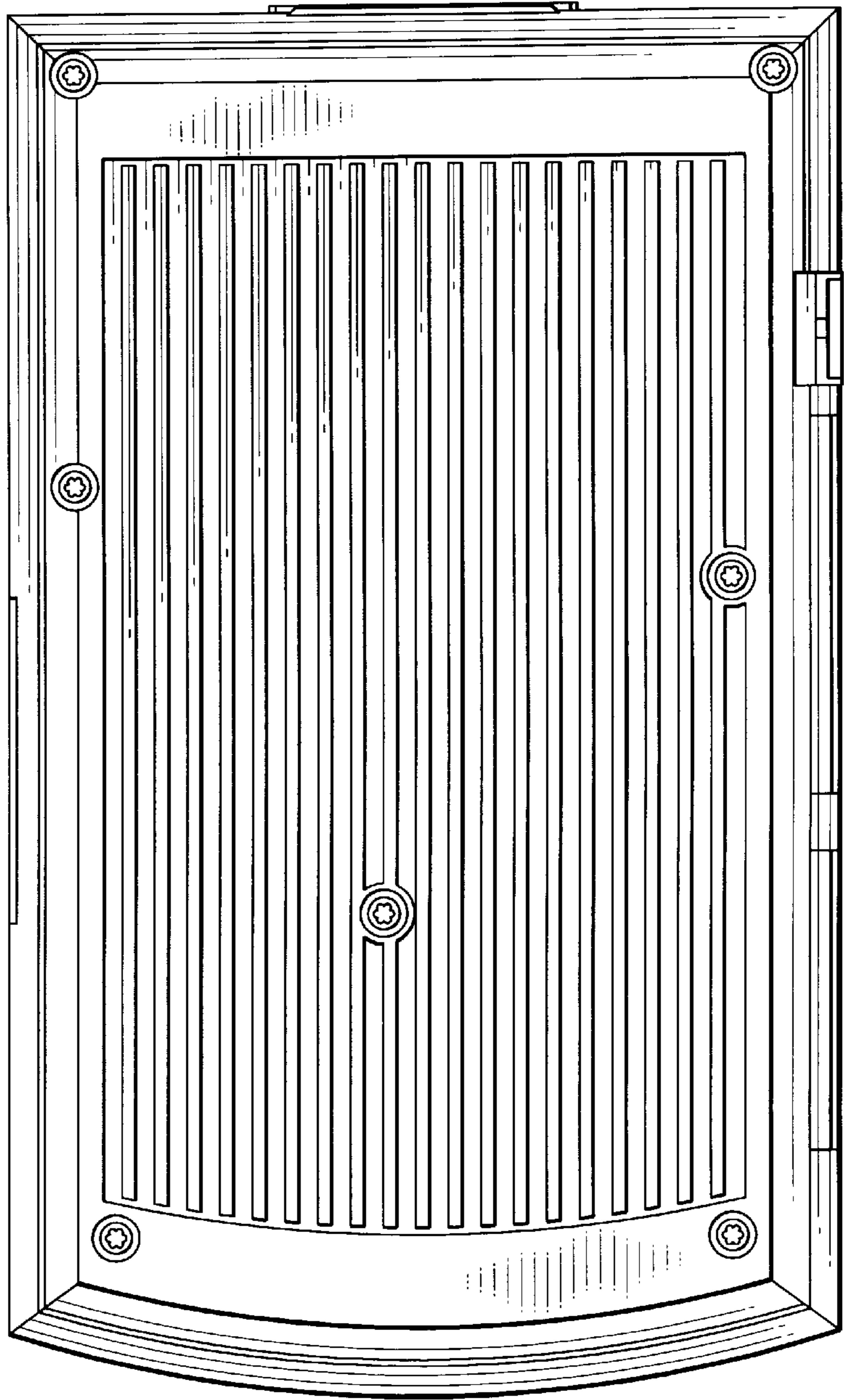
*FIG. 1*



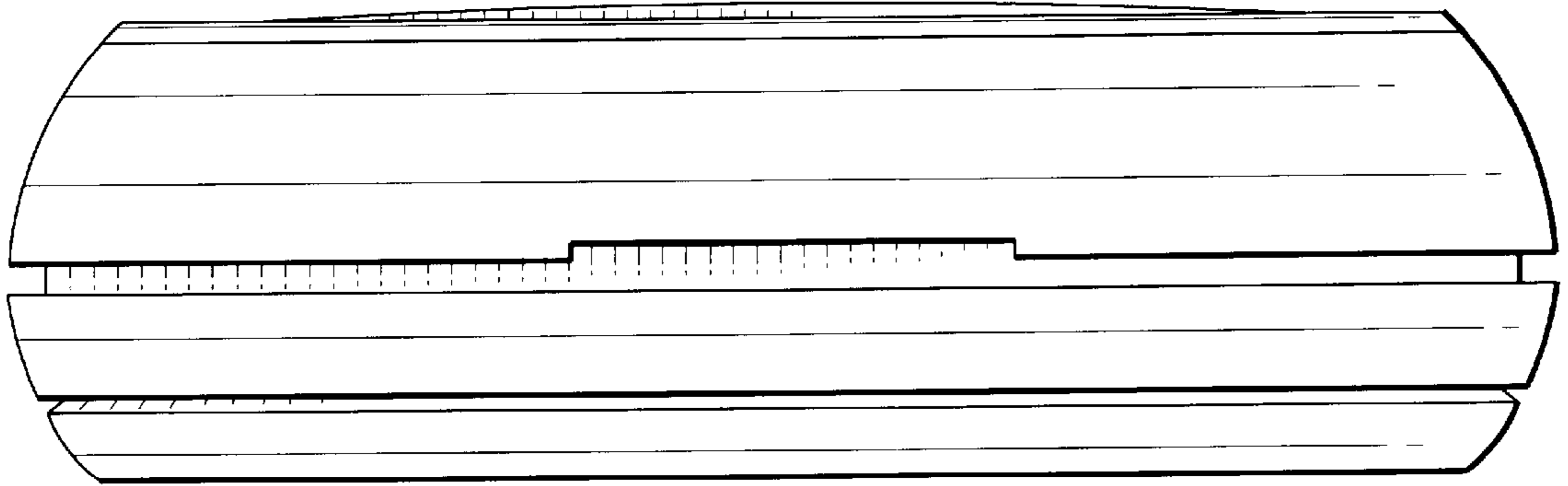
*FIG. 2*



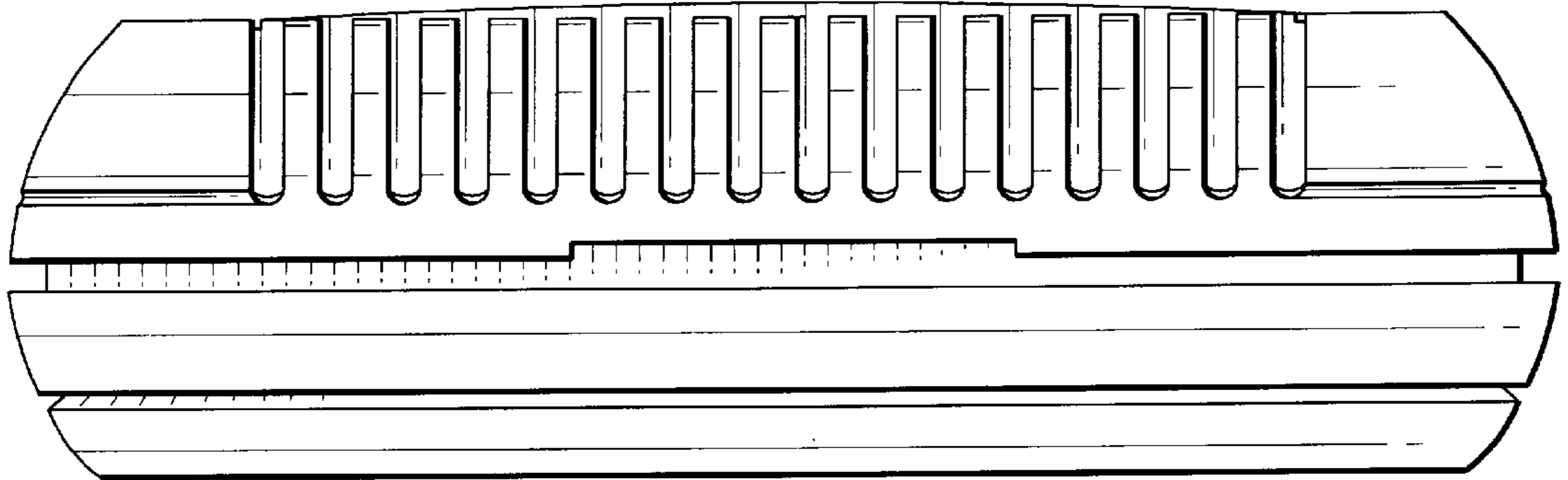
**FIG. 3**



**FIG. 4**



*FIG. 5*



*FIG. 6*

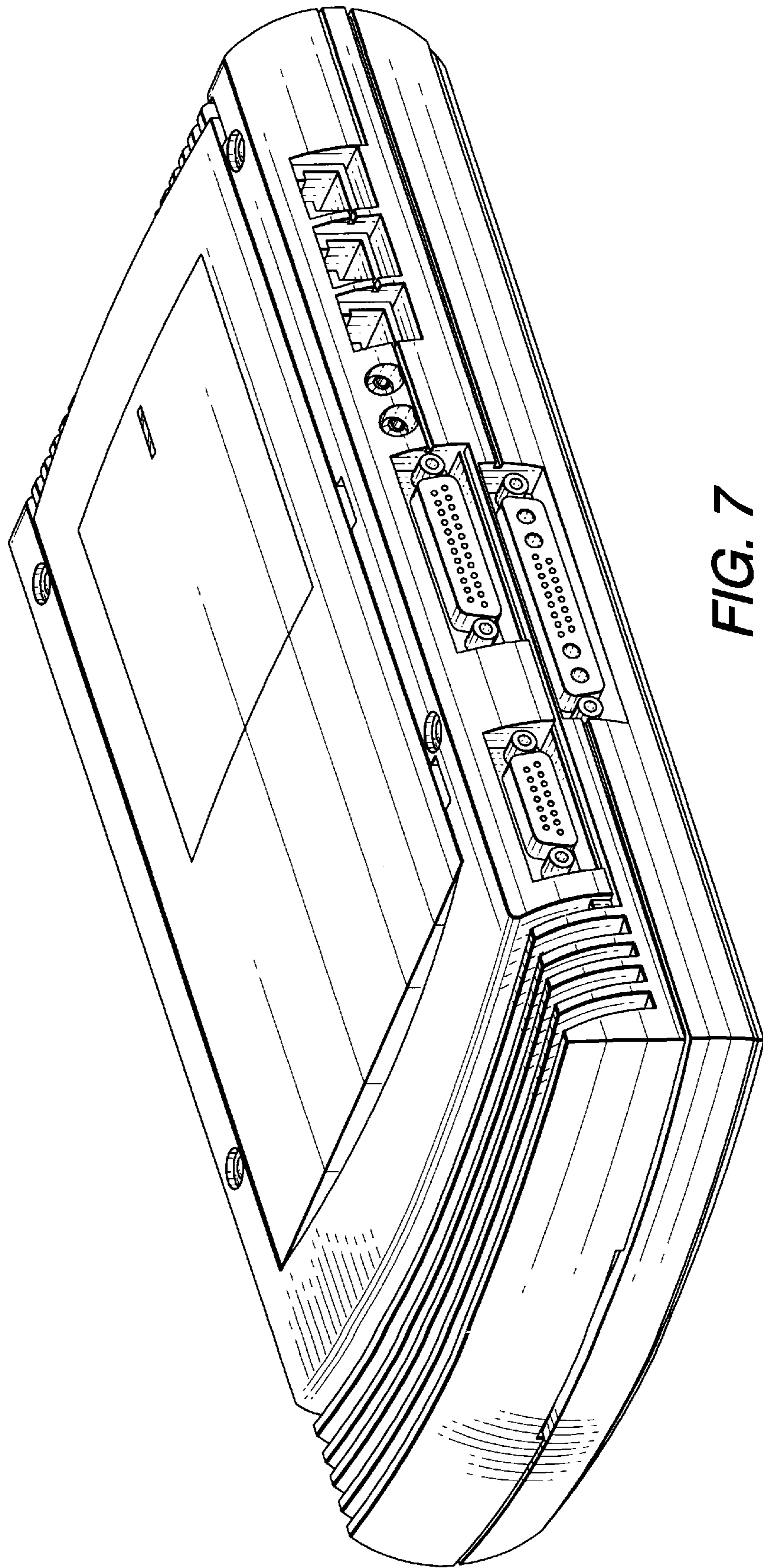


FIG. 7