



US00D413328S

United States Patent [19]
Kazama

[11] **Patent Number: Des. 413,328**

[45] **Date of Patent: ** Aug. 31, 1999**

[54] **REMOTE CONTROLLER COMBINED WITH WIRELESS TELEPHONE**

[75] Inventor: **Shigeyuki Kazama**, Tokyo, Japan

[73] Assignee: **Sony Corporation**, Tokyo, Japan

[**] Term: **14 Years**

[21] Appl. No.: **29/079,666**

[22] Filed: **Nov. 20, 1997**

[30] **Foreign Application Priority Data**

May 21, 1997 [JP] Japan 9-55006

[51] **LOC (6) Cl.** **14-03**

[52] **U.S. Cl.** **D14/218**

[58] **Field of Search** D14/217, 218;
D13/168; 348/734; 455/151.1, 151.2, 151.3,
151.4, 152.1, 352-355; 200/331

[56] **References Cited**

U.S. PATENT DOCUMENTS

D. 339,137	9/1993	Takeda	D14/218
D. 377,651	1/1997	Biasotti et al.	D14/218
D. 392,641	3/1998	Fenner	D14/218
D. 394,659	5/1998	Biasotti et al.	D14/218
D. 395,312	2/1997	Parasdayan et al.	D14/218

OTHER PUBLICATIONS

Sharp Catalog, "Zaurus", (Oct., 1993).
Casio Catalog, "Cassiopeia", (date of publication unknown).
Kyocera Catalog, "Data Scope DS-110", (date of publication unknown).

Toshiba Catalog, "Genio", (date of publication unknown).
Panasonic Catalog, "Pinocchio", (date of publication unknown, date of sales in Japan is Feb. 1, 1997, according to Web page attached).

Primary Examiner—Ruth McInroy
Attorney, Agent, or Firm—Foley & Lardner

[57] **CLAIM**

The ornamental design for a remote controller combined with wireless telephone, as shown and described.

DESCRIPTION

FIG. 1 is a perspective view of a first embodiment of a remote controller combined with wireless telephone, which can be used for a television, a computer and can be a telephone, showing my new design;
FIG. 2 is a top plan view thereof;
FIG. 3 is a left side elevational view thereof;
FIG. 4 is a front elevational view thereof;
FIG. 5 is a bottom plan view thereof;
FIG. 6 is a right side elevational view thereof;
FIG. 7 is a rear elevational view thereof;
FIG. 8 is a perspective view of a second embodiment of a remote controller showing my new design;
FIG. 9 is a top plan view thereof;
FIG. 10 is a left side elevational view thereof;
FIG. 11 is a front elevational view thereof;
FIG. 12 is a bottom plan view thereof;
FIG. 13 is a right side elevational view thereof; and,
FIG. 14 is a rear elevational view thereof.

1 Claim, 6 Drawing Sheets

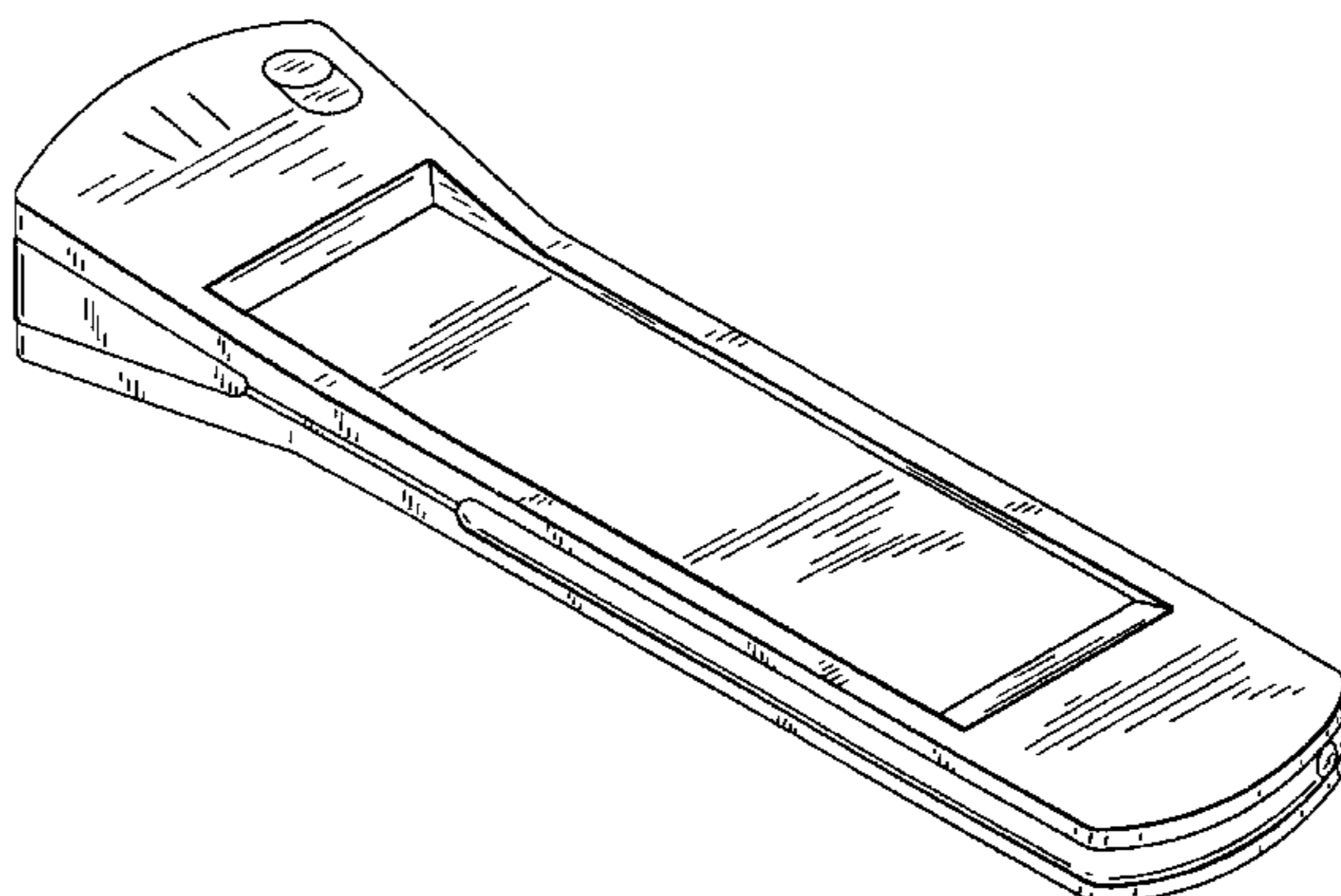
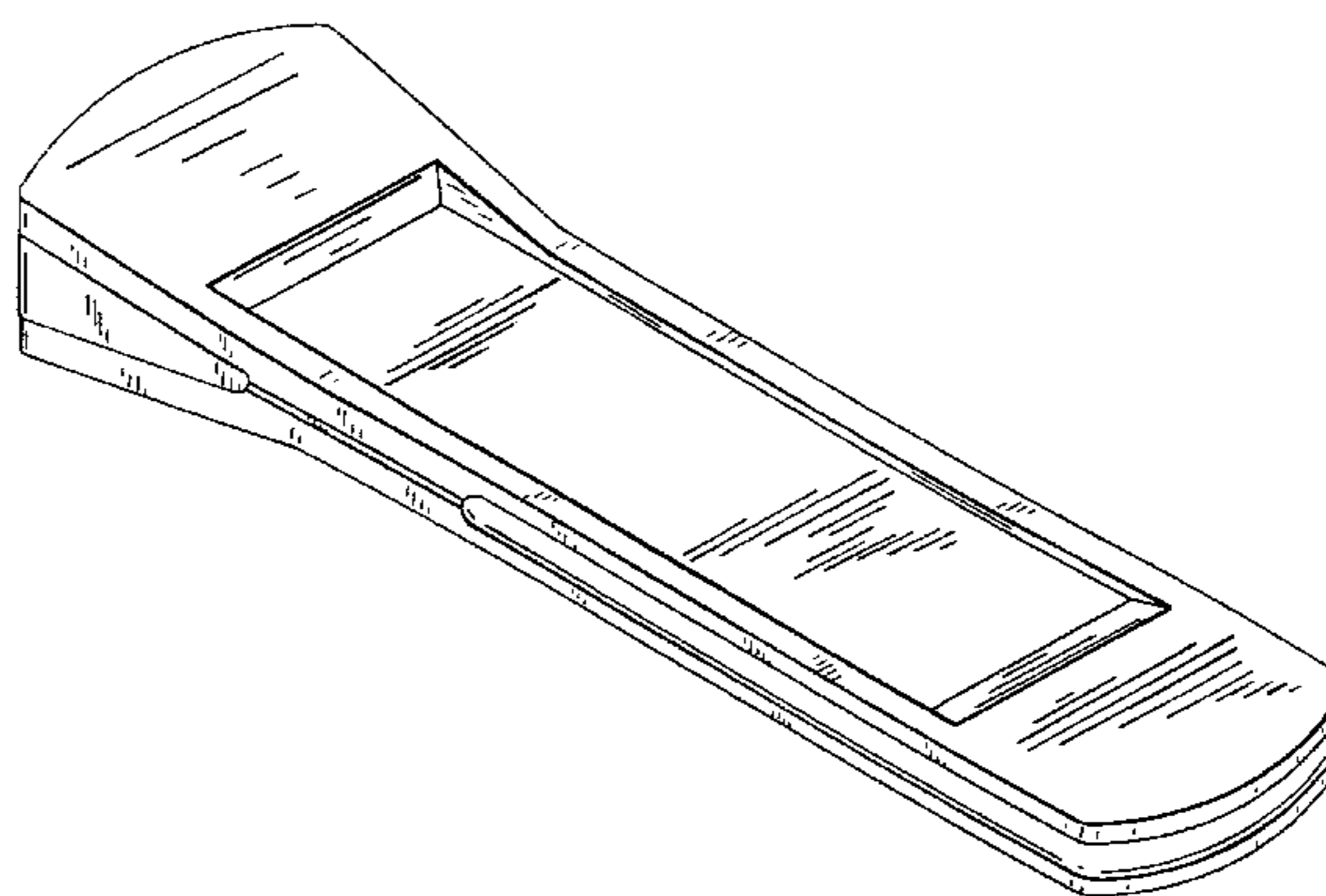


FIG. 1

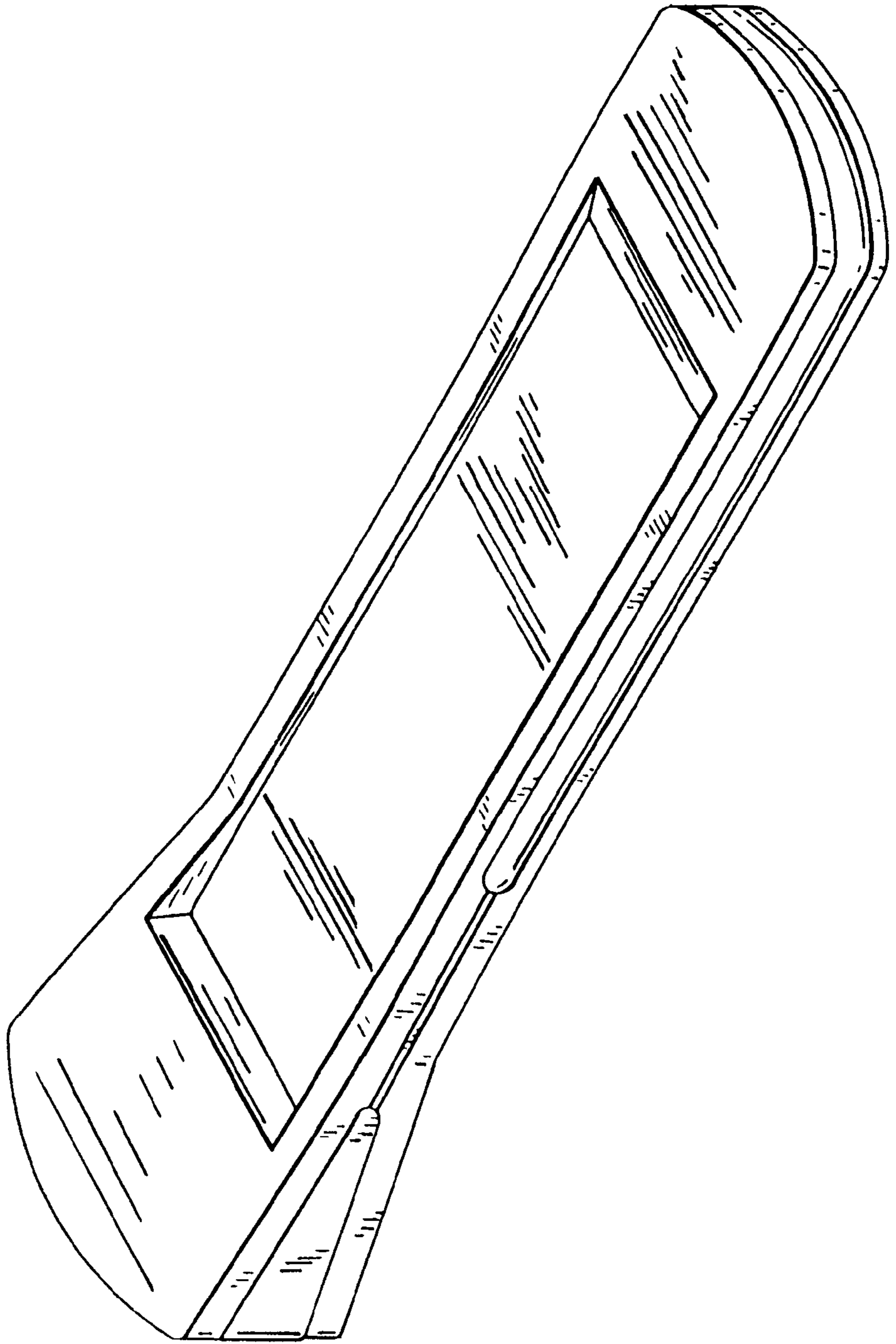


FIG. 2

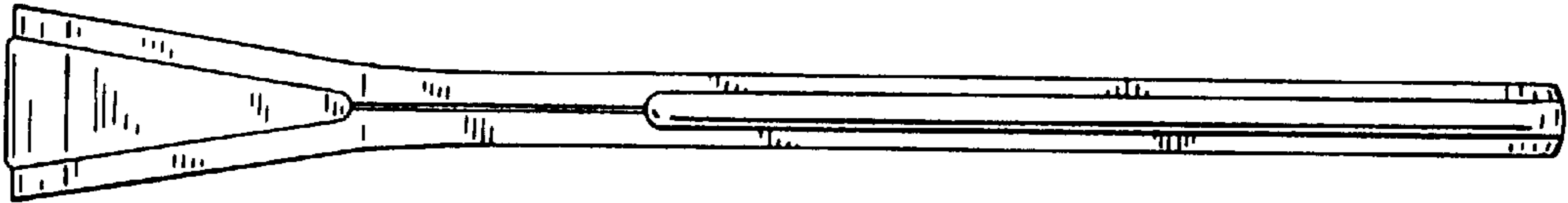


FIG. 4

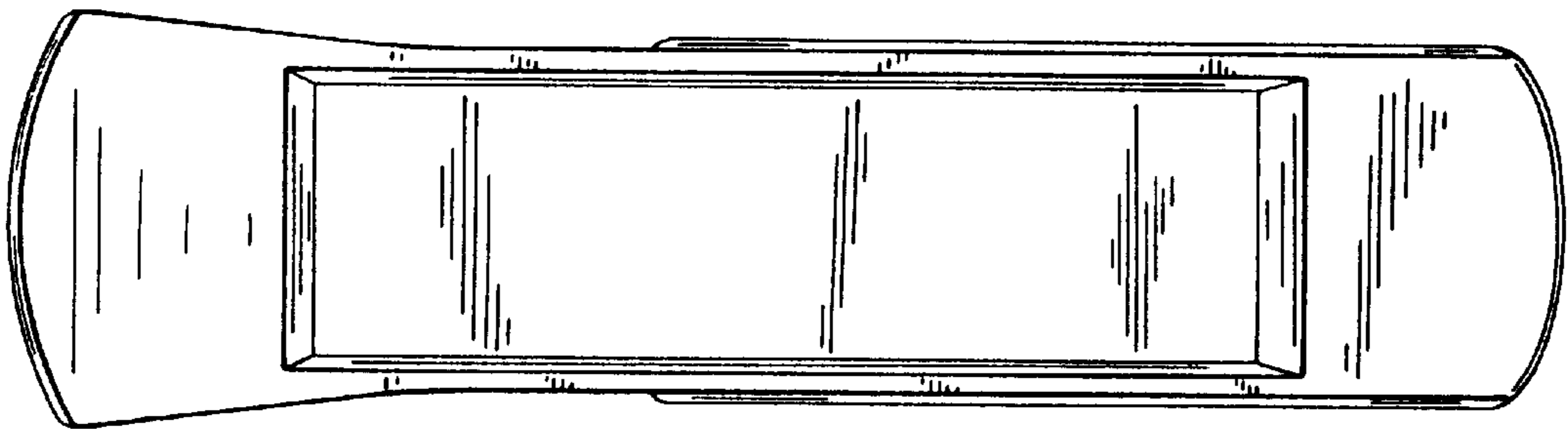


FIG. 5

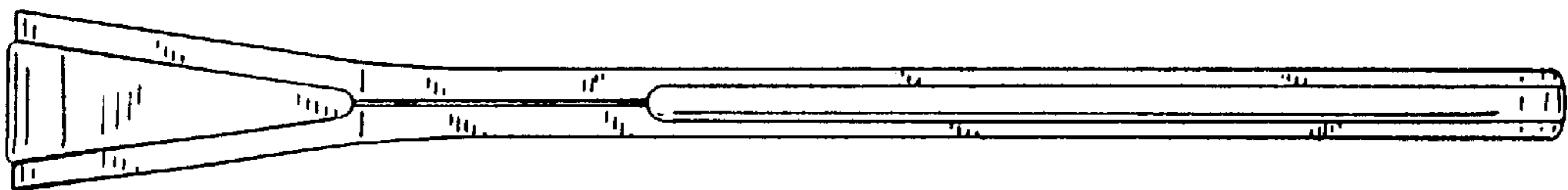


FIG. 6

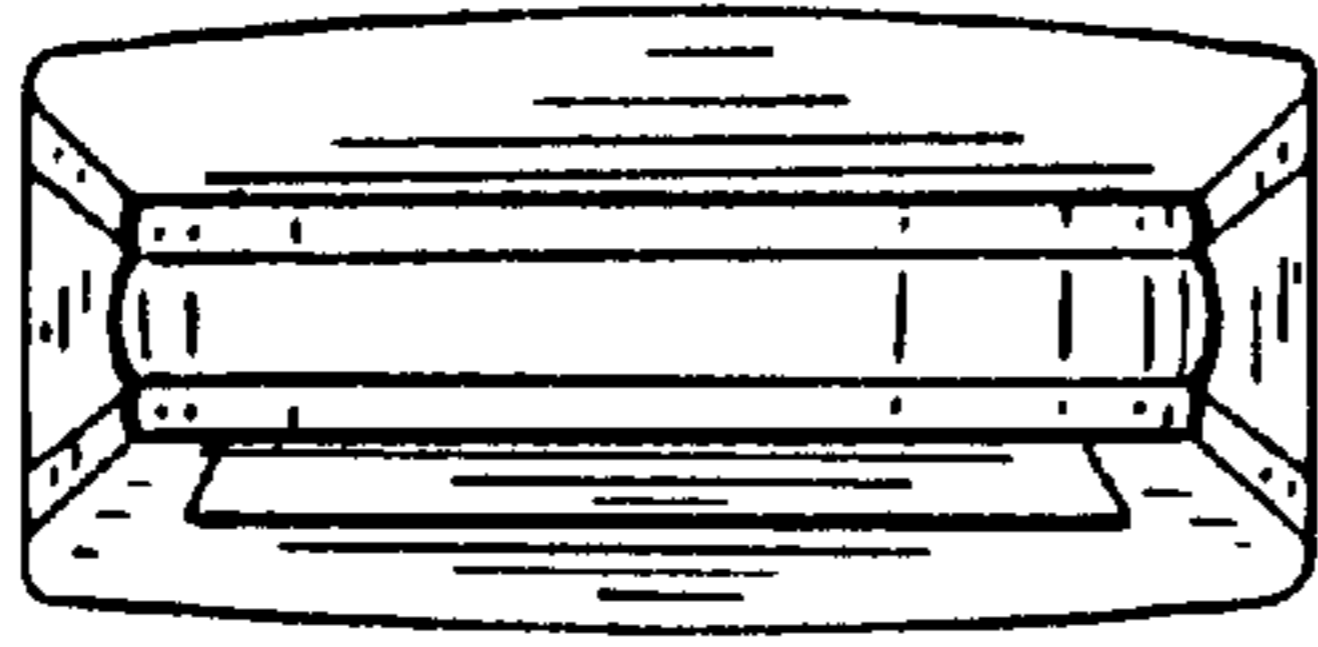


FIG. 3

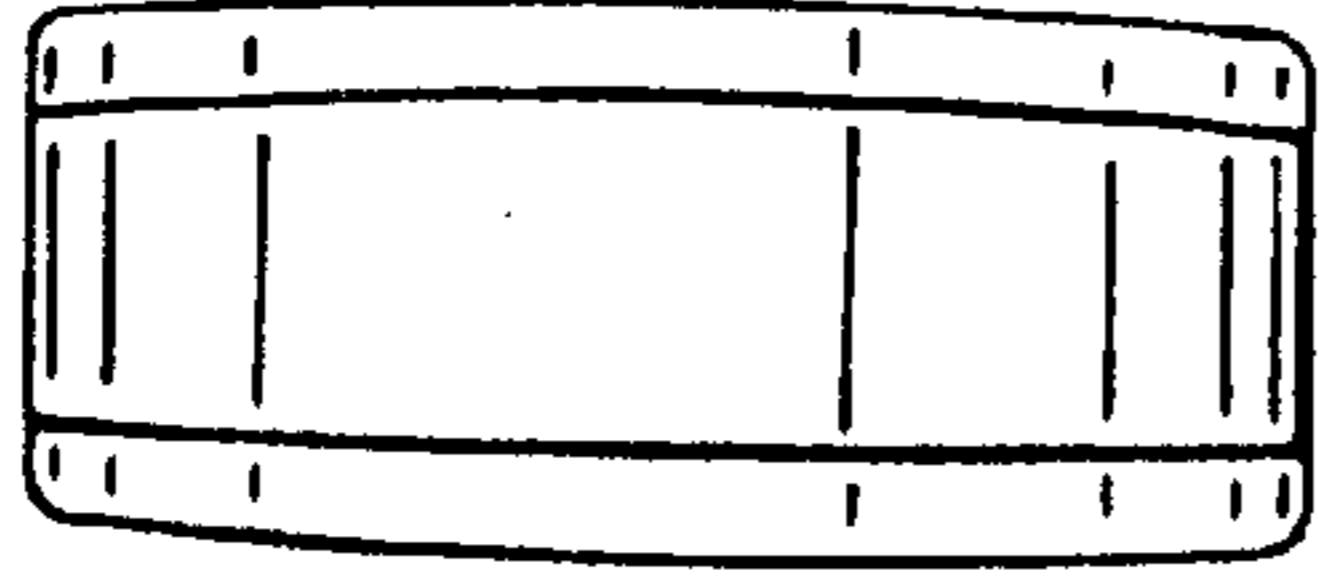


FIG. 7

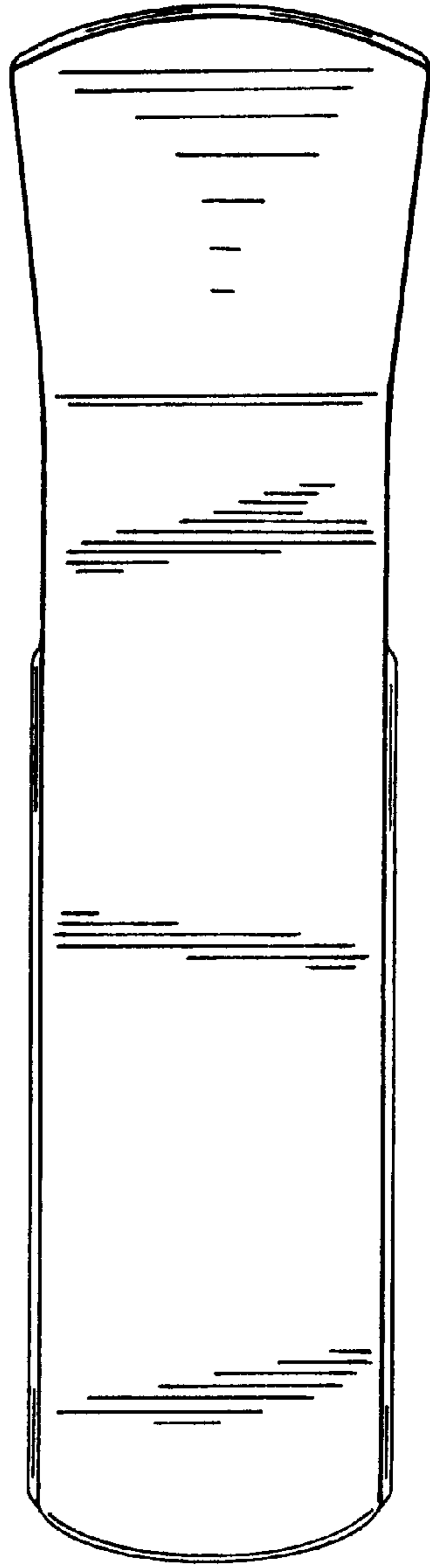


FIG. 8

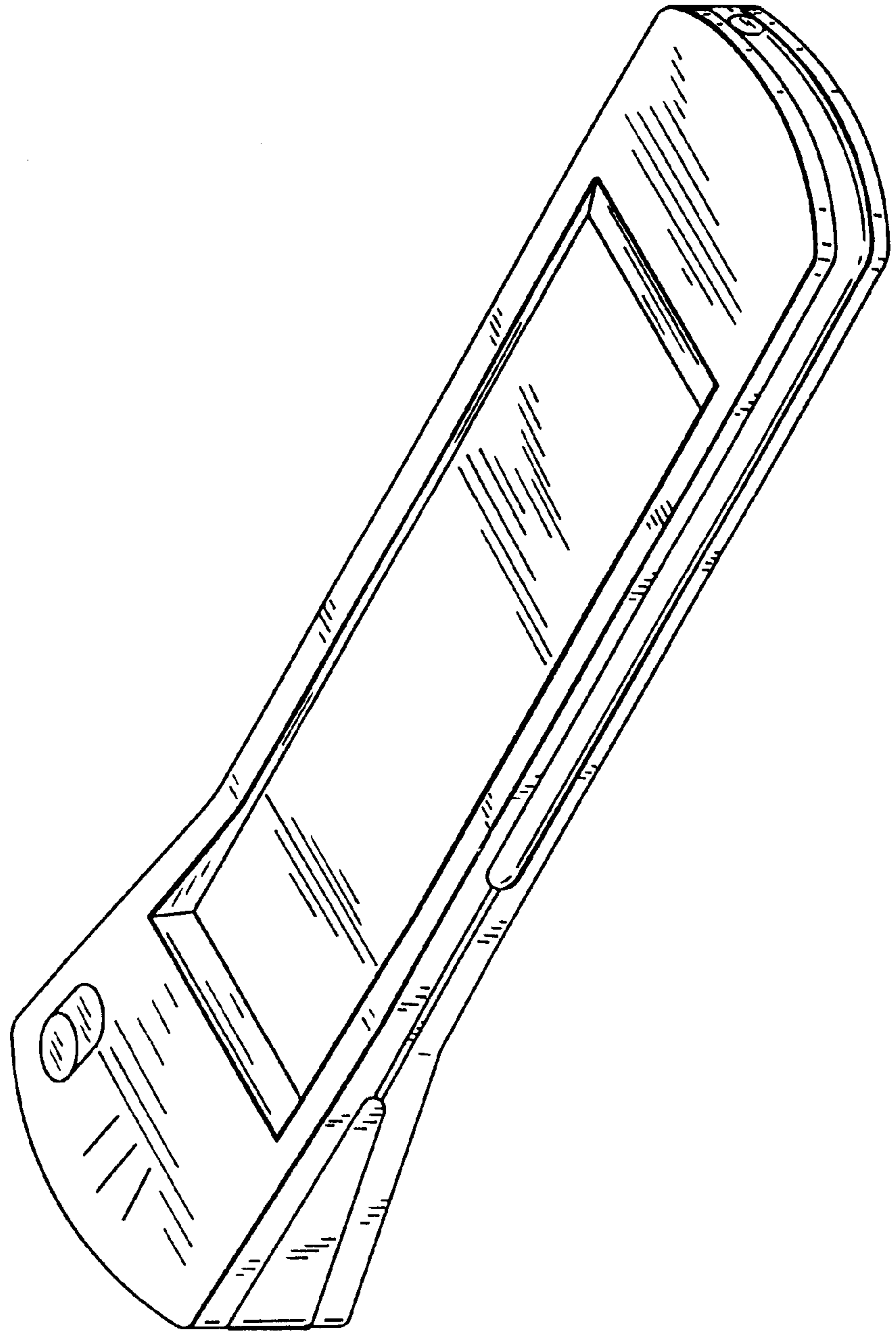


FIG. 9

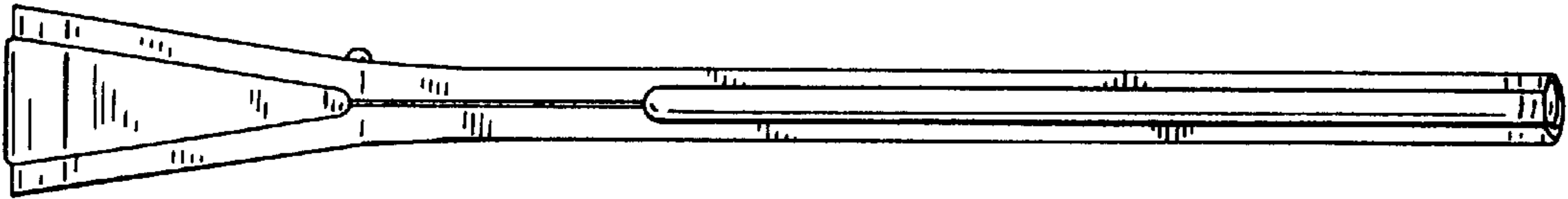


FIG. 11

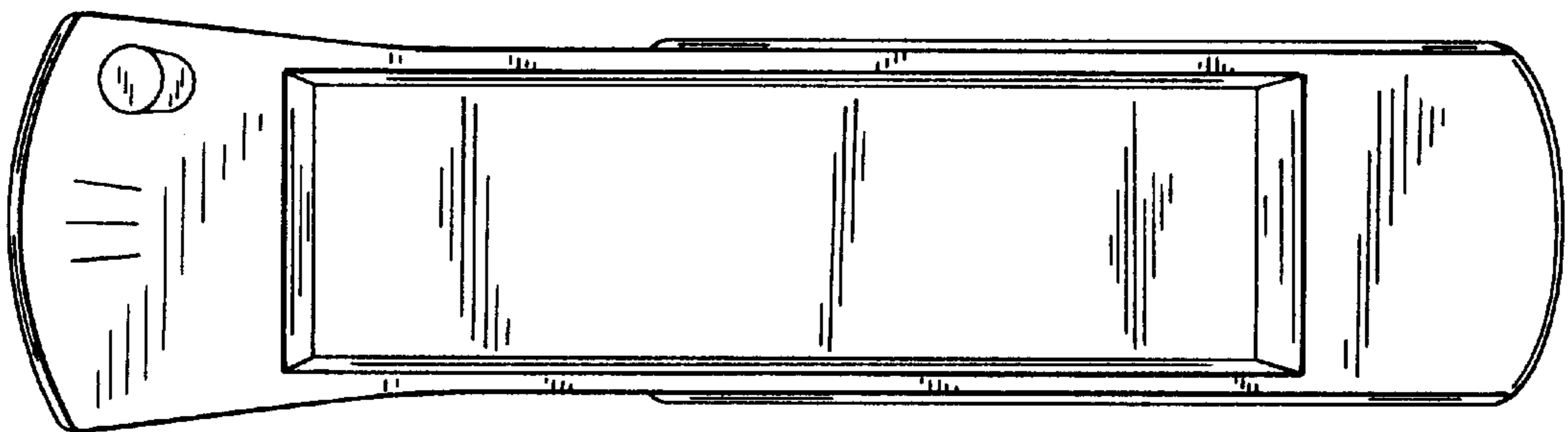


FIG. 12

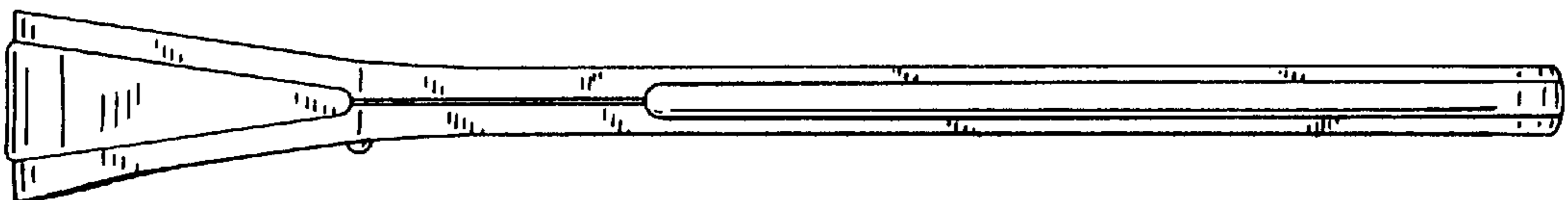


FIG. 13

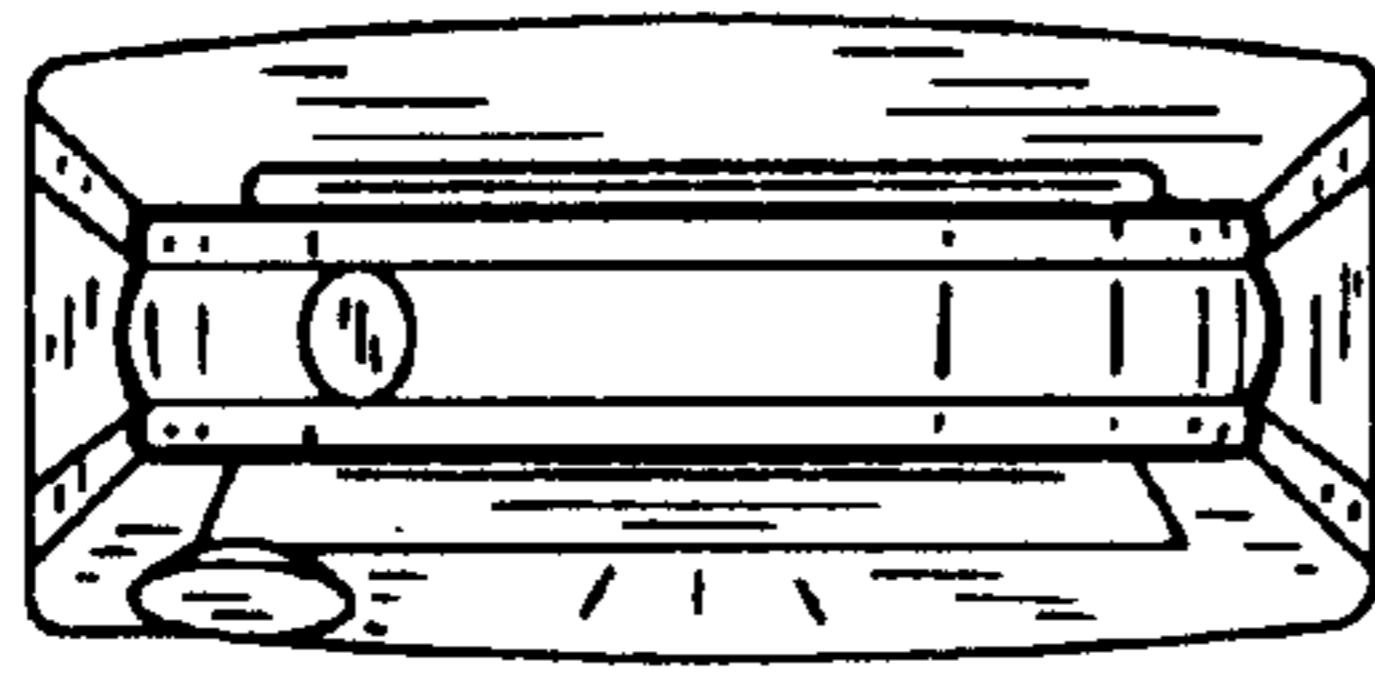


FIG. 10

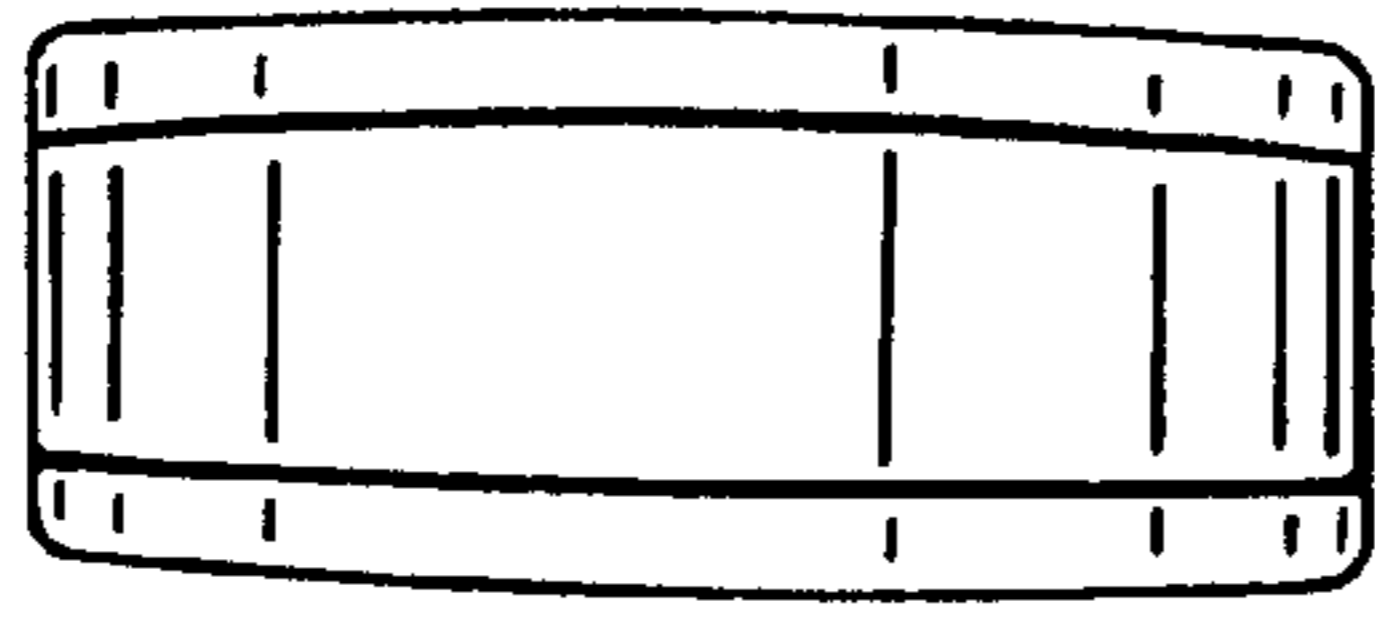


FIG. 14

