



US00D413324S

United States Patent [19]

Riecken et al.

[11] **Patent Number: Des. 413,324**

[45] **Date of Patent: ** Aug. 31, 1999**

[54] **MONITOR FOR HOLDING VIDEO CAMERA**

D. 372,023 7/1996 Andre et al. D14/113
D. 384,947 10/1997 Barthelemy et al. D14/113

[75] Inventors: **Hans-Peter Riecken; Herbert Pfeifer**, both of San Francisco; **John J Feldis, III**, Menlo Park, all of Calif.

Primary Examiner—Ted Shooman
Assistant Examiner—Richelle Shelton
Attorney, Agent, or Firm—Townsend and Townsend and Crew LLP

[73] Assignee: **Logitech, Inc.**, Fremont, Calif.

[**] Term: **14 Years**

[57] CLAIM

[21] Appl. No.: **29/092,200**

The ornamental design for a monitor for holding a video camera, as shown and described.

[22] Filed: **Jul. 17, 1998**

DESCRIPTION

[51] **LOC (6) Cl.** **14-03**

FIG. 1 is a perspective view of a monitor for holding a video camera showing our new design;

[52] **U.S. Cl.** **D14/126; D14/113**

FIG. 2 is a reduced front elevational view of the monitor for holding a video camera;

[58] **Field of Search** D14/113, 126-134; 312/7.2; 348/836, 838

FIG. 3 is a left side elevational view thereof, the right side elevational view being a mirror image;

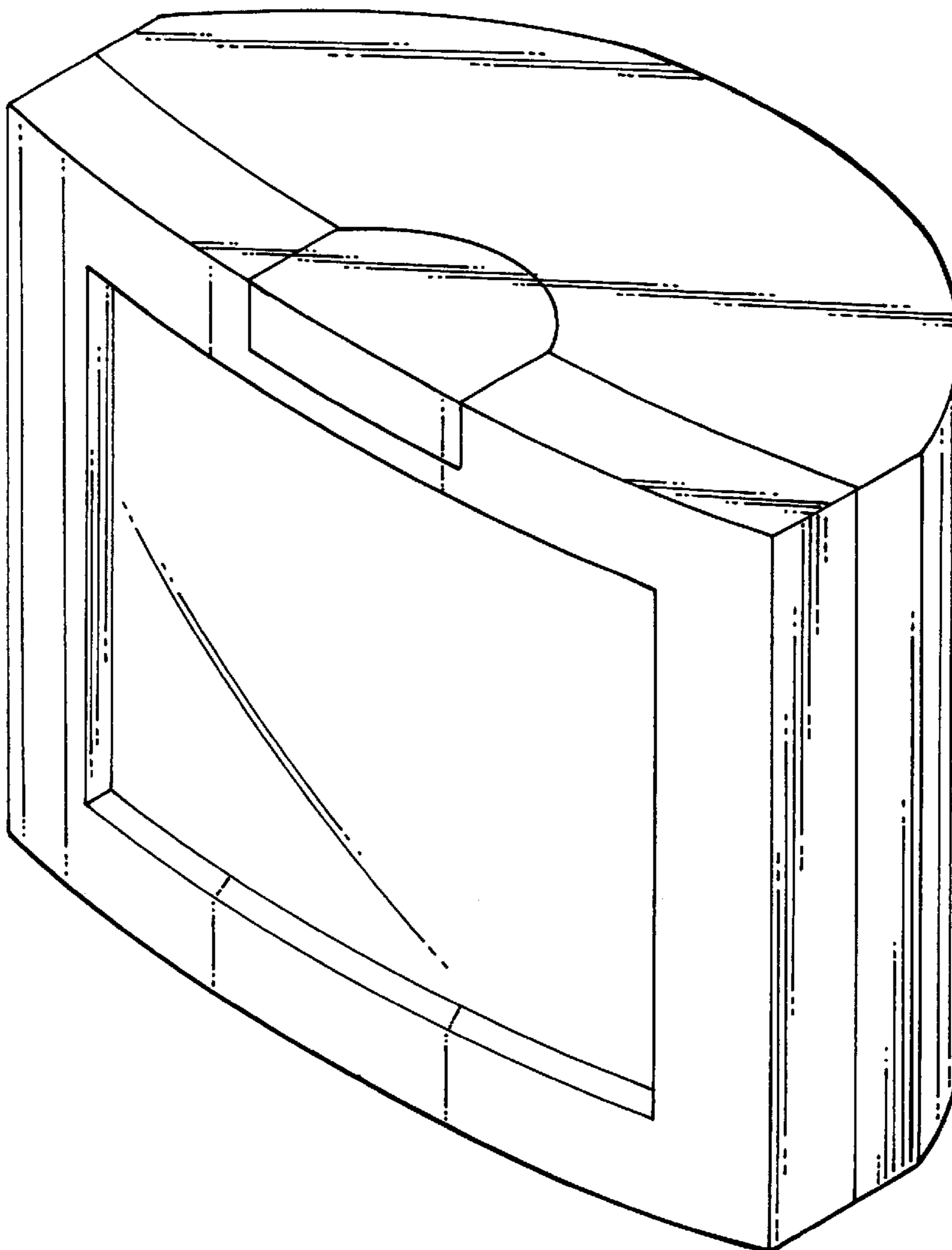
[56] References Cited

U.S. PATENT DOCUMENTS

D. 323,650 2/1992 Kajimoto et al. D14/126
D. 354,282 1/1995 Koo et al. D14/126

FIG. 4 is a top plan view thereof; and,
FIG. 5 is a rear elevational view thereof.

1 Claim, 2 Drawing Sheets



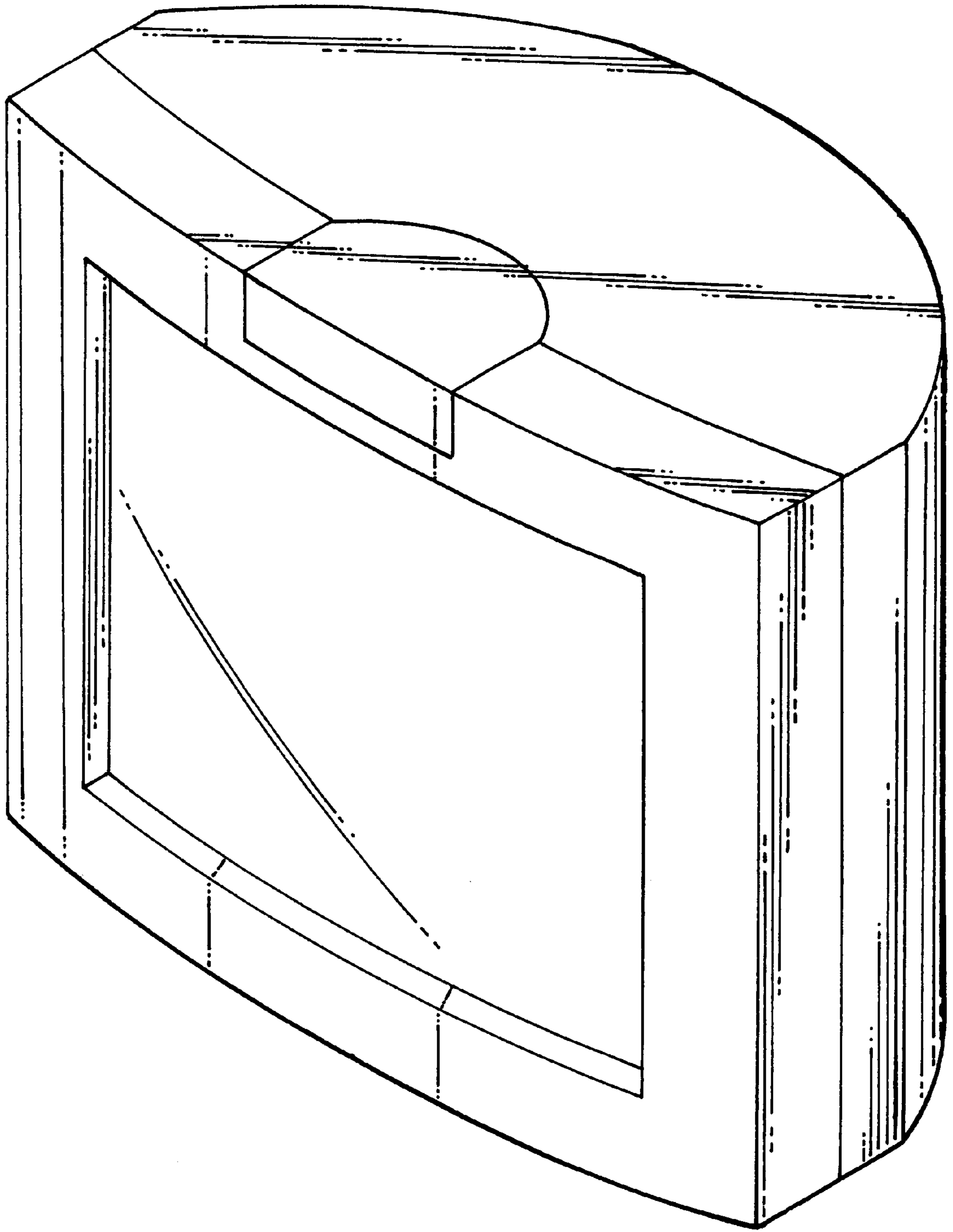


FIG. 1.

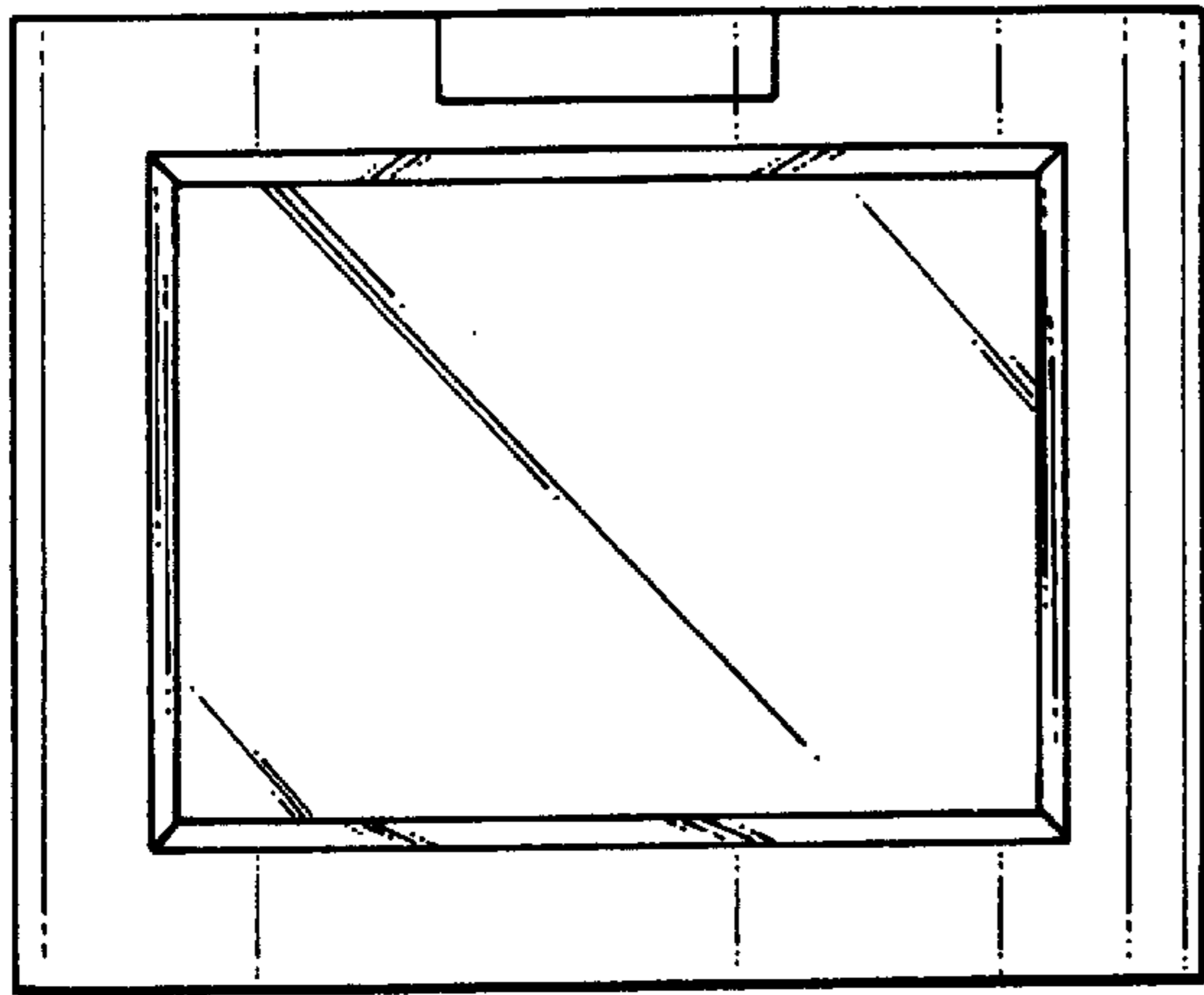


FIG. 2.

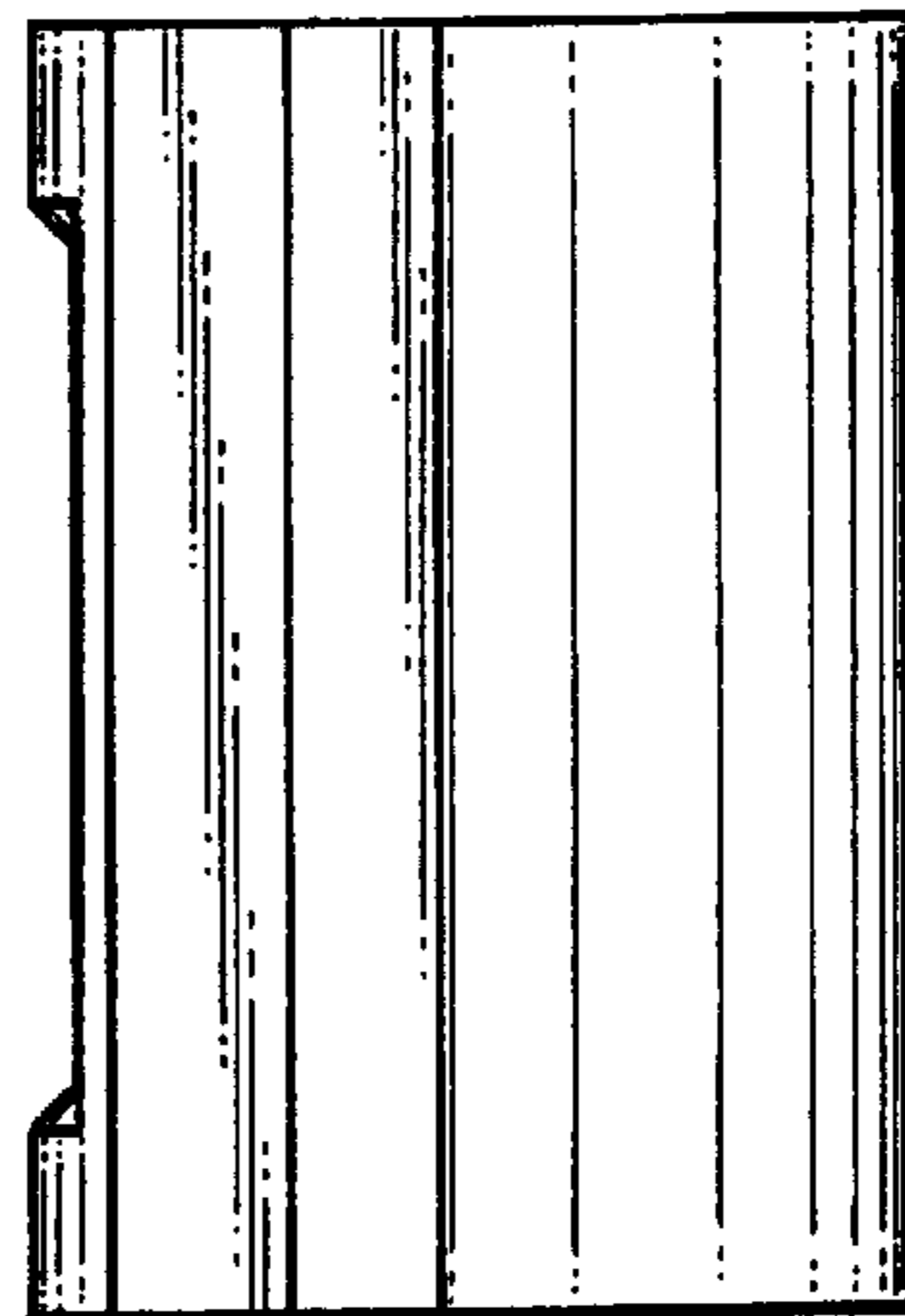


FIG. 3.

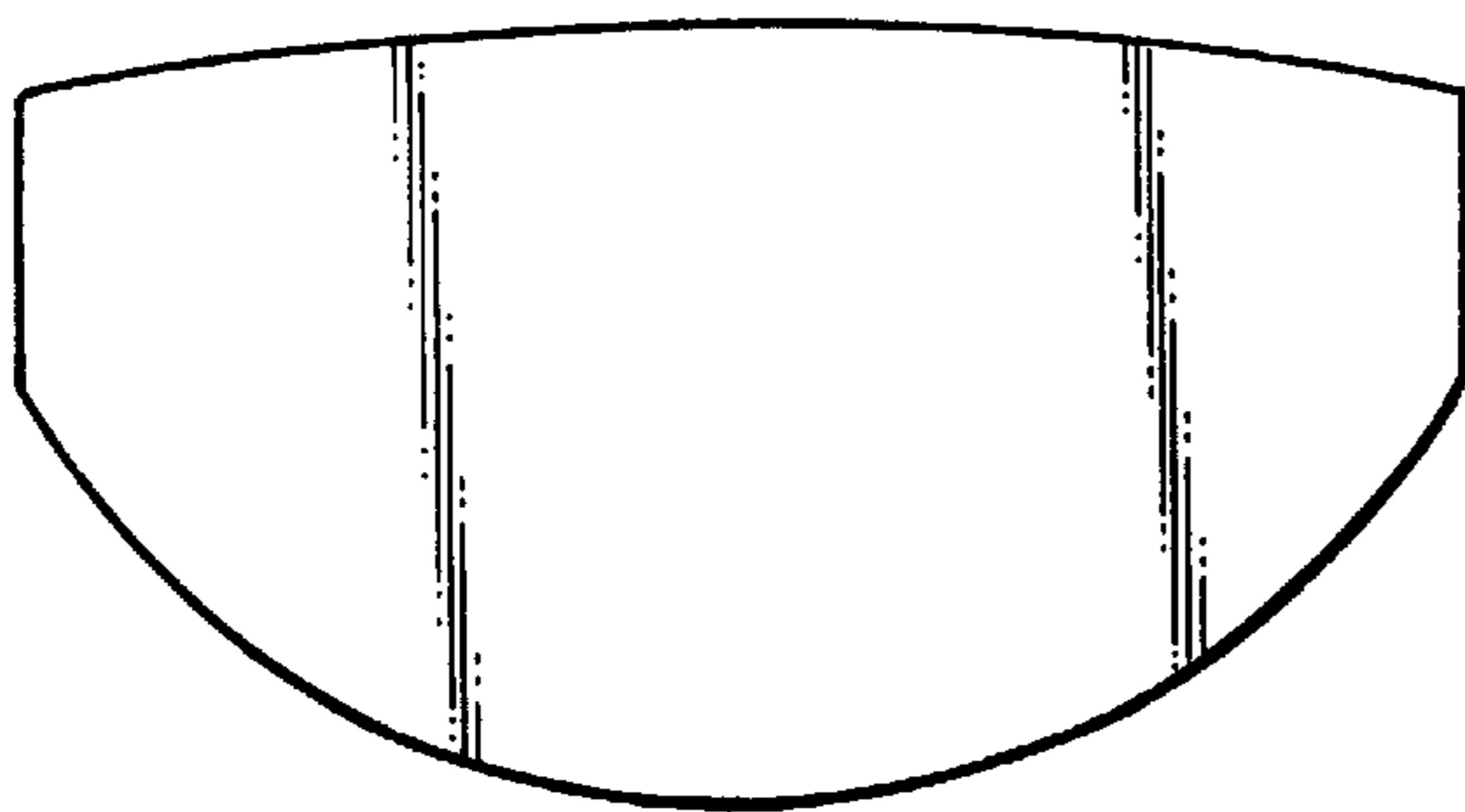


FIG. 4.

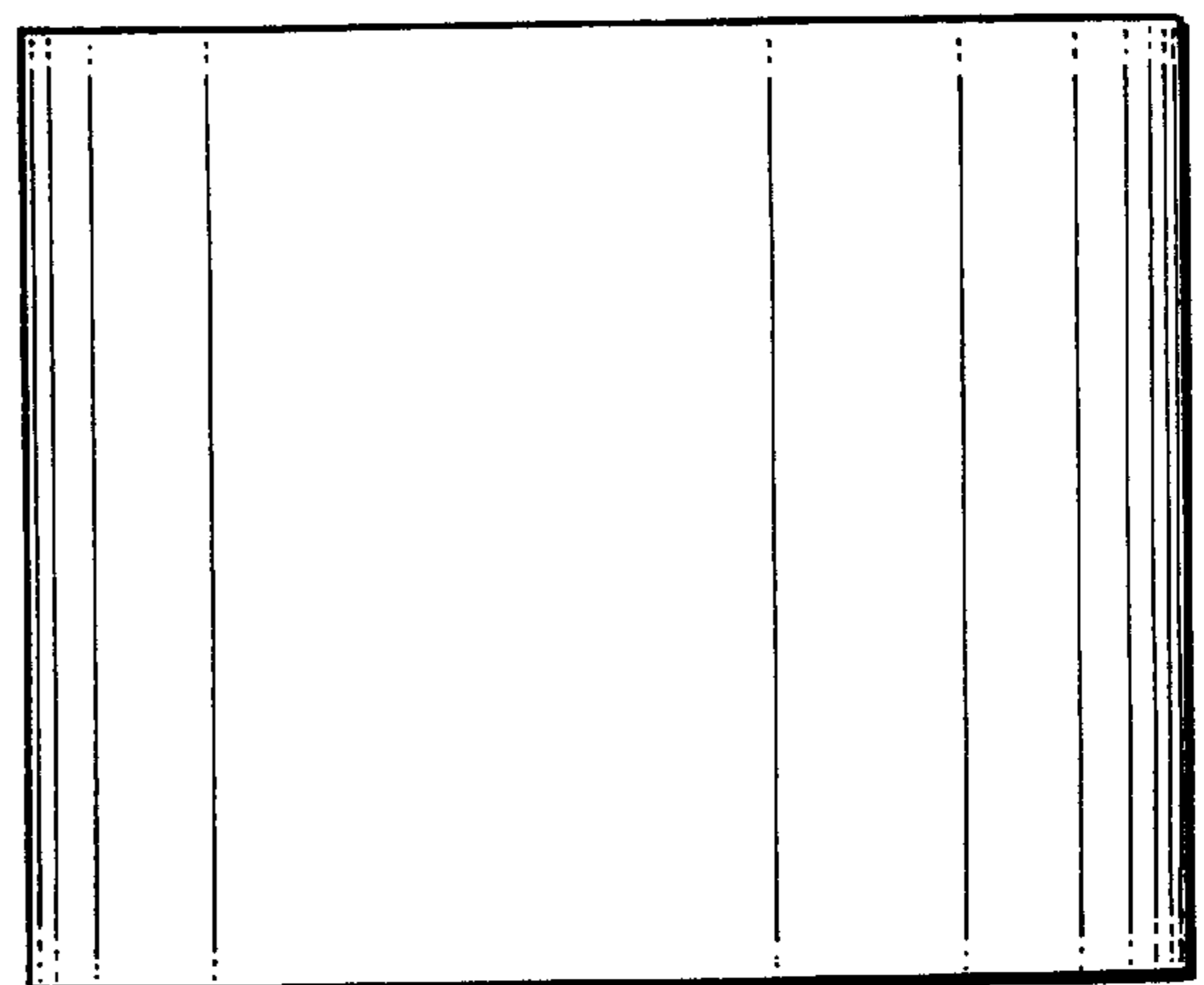


FIG. 5.