



US00D413323S

United States Patent [19]

Tashiro

[11] Patent Number: **Des. 413,323**

[45] Date of Patent: **** Aug. 31, 1999**

[54] **SIGNAL INPUT/OUTPUT DEVICE FOR VIDEO CAMERA**

[75] Inventor: **Naoki Tashiro**, Kawasaki, Japan

[73] Assignee: **Canon Kabushiki Kaisha**, Tokyo, Japan

[**] Term: **14 Years**

[21] Appl. No.: **29/091,274**

[22] Filed: **Jul. 27, 1998**

[30] Foreign Application Priority Data

Jan. 30, 1998 [JP] Japan 10-002426

[51] **LOC (6) Cl.** **14-02**

[52] **U.S. Cl.** **D14/124**

[58] **Field of Search** D14/124, 125, D14/188, 239, 299, 114; D13/110, 184; 312/7.1; 348/10, 207, 239, 373, 376; 360/32; 345/905; 352/242, 34, 37

[56] References Cited

U.S. PATENT DOCUMENTS

D. 305,426 1/1990 Doi D14/124

D. 313,230	12/1990	Isaacs	D14/125
D. 368,905	4/1996	Otani	D14/125
D. 370,481	6/1996	Brooks	D14/124
D. 373,582	9/1996	Hasegawa	D14/124
D. 378,677	4/1997	Matsumoto et al.	D14/124
D. 381,647	7/1997	Terng	D14/124

Primary Examiner—Prabhakar Deshmukh
Attorney, Agent, or Firm—Fitzpatrick, Cella, Harper & Scinto

[57] CLAIM

The ornamental design for a signal input/output device for video camera, as shown and described.

DESCRIPTION

FIG. 1 is a front view of a signal input/output device for video camera showing my new design; FIG. 2 is a rear view thereof; FIG. 3 is a top plan view thereof; FIG. 4 is a bottom plan view thereof; FIG. 5 is a left side view thereof; FIG. 6 is a right side view thereof; and, FIG. 7 is a perspective view thereof.

1 Claim, 3 Drawing Sheets

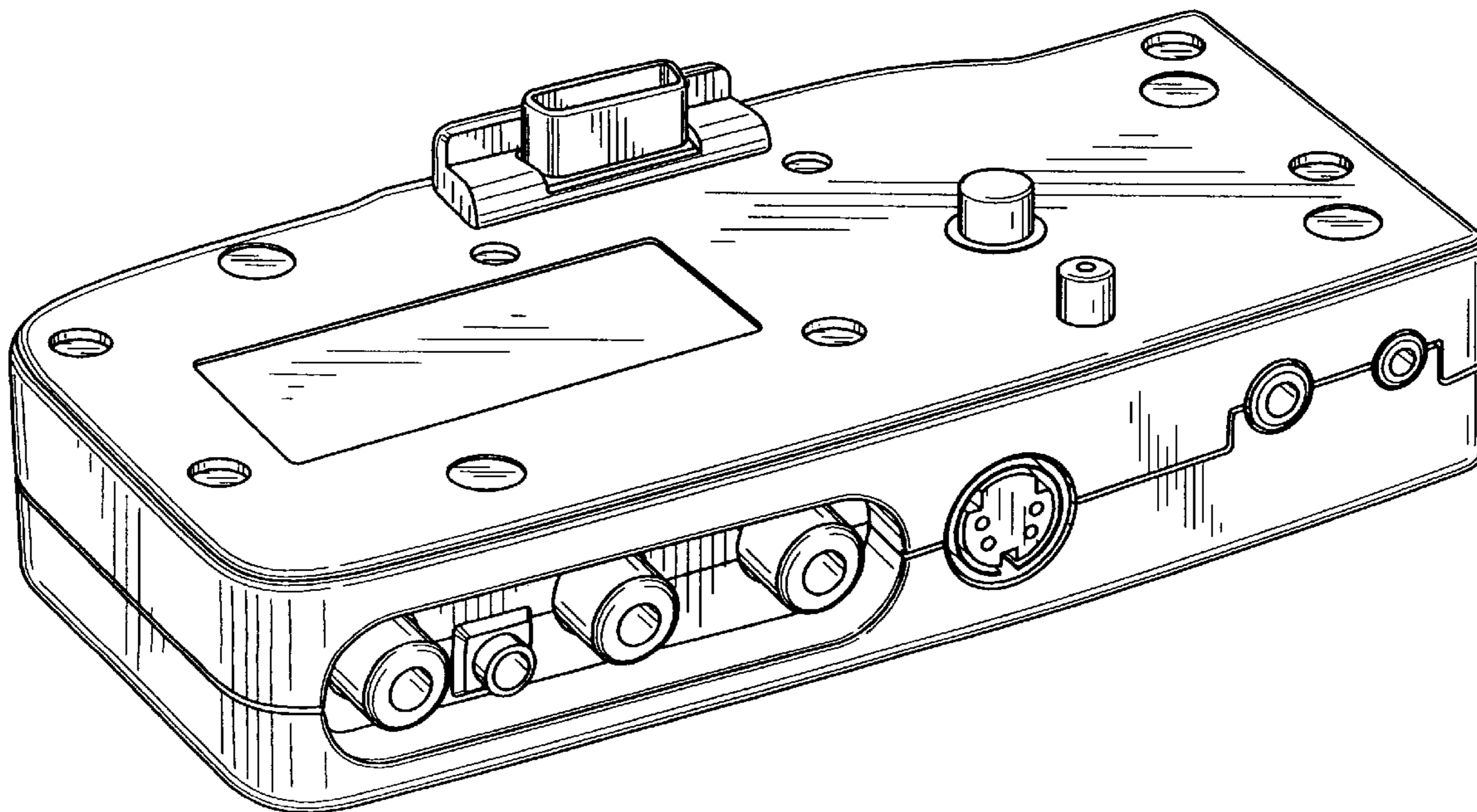


FIG. 1

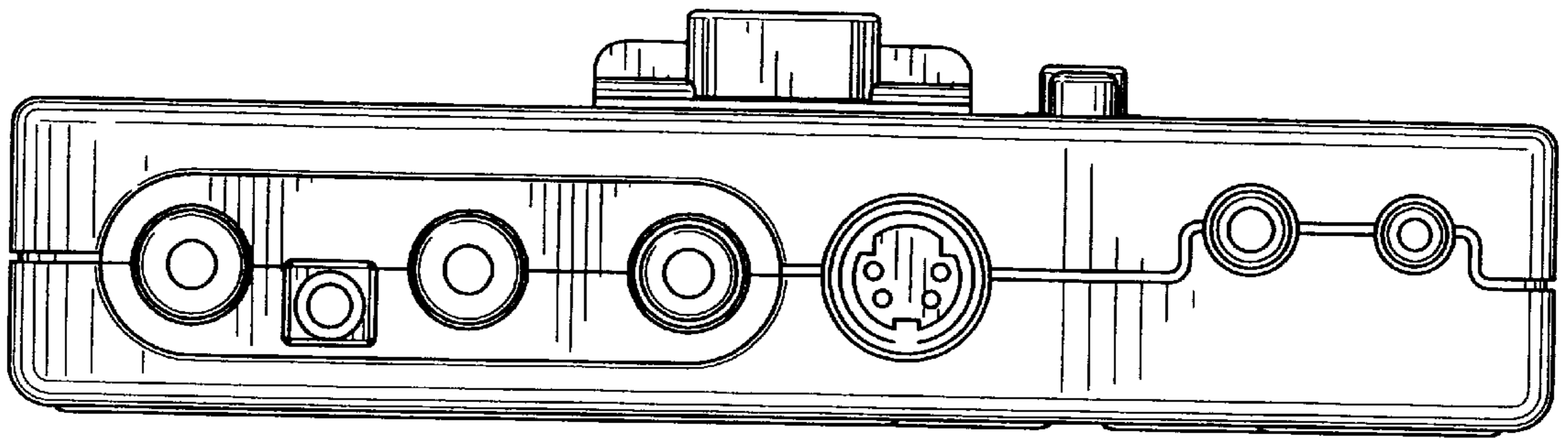


FIG. 2

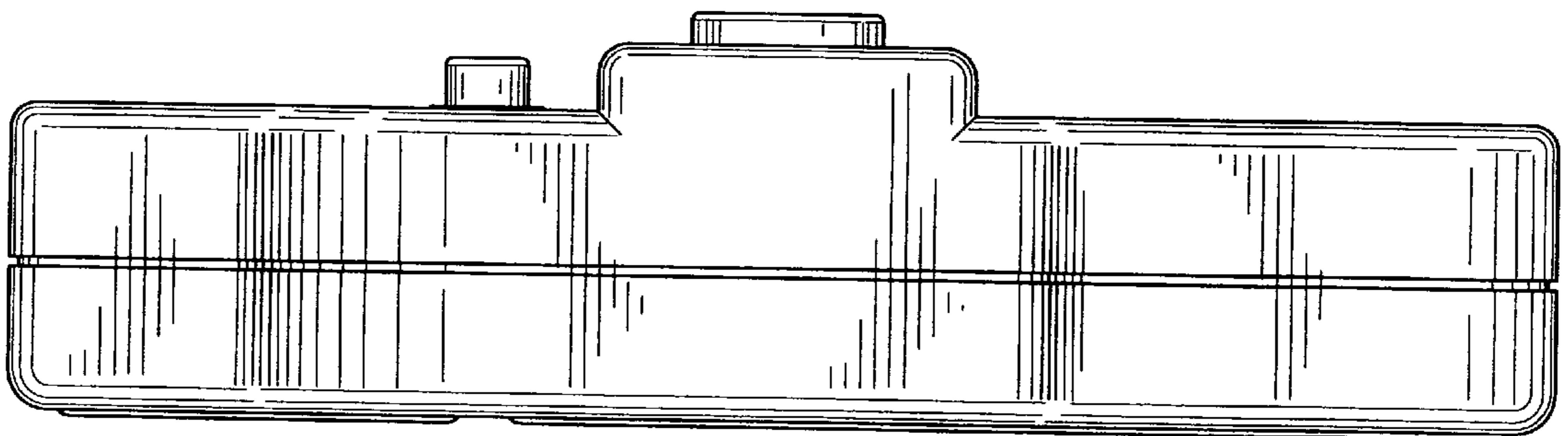


FIG. 3

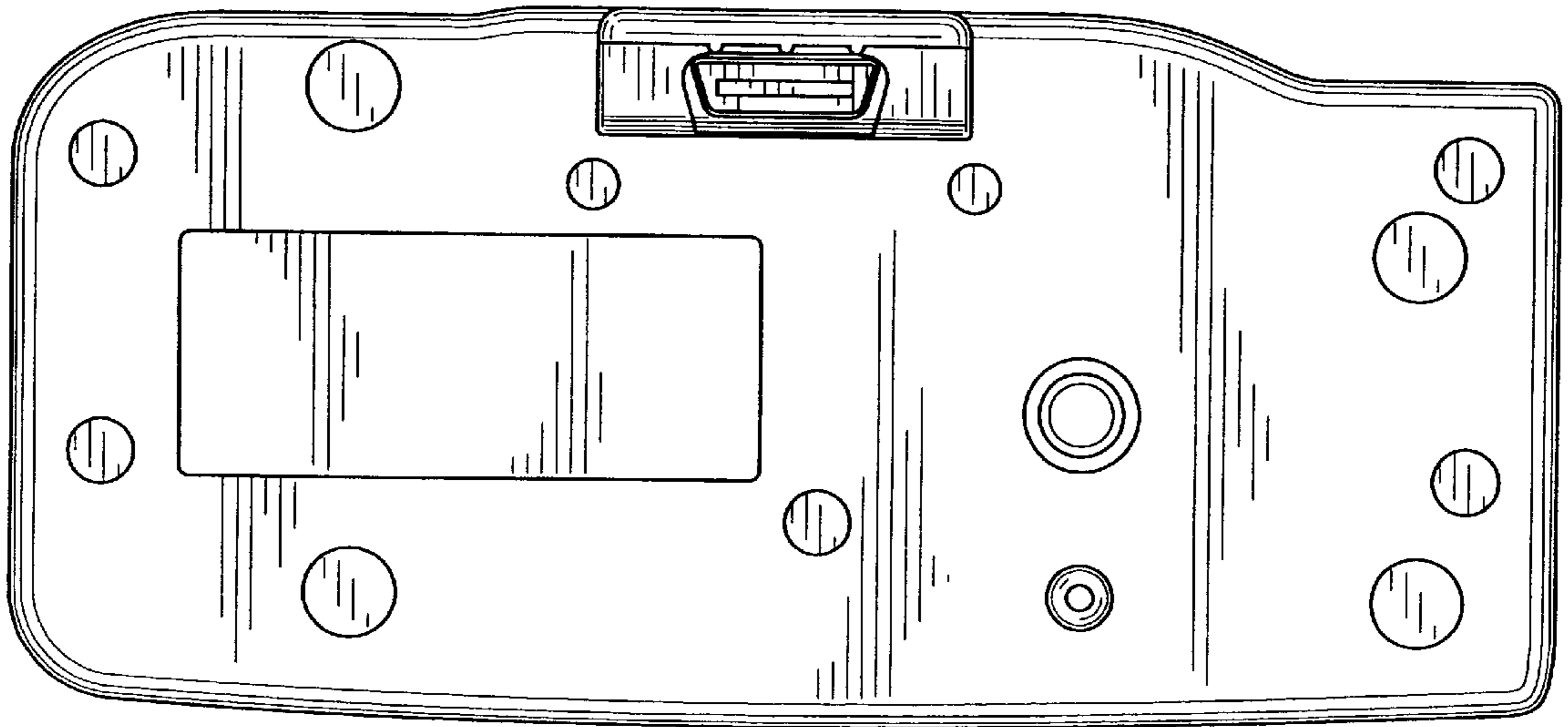


FIG. 4

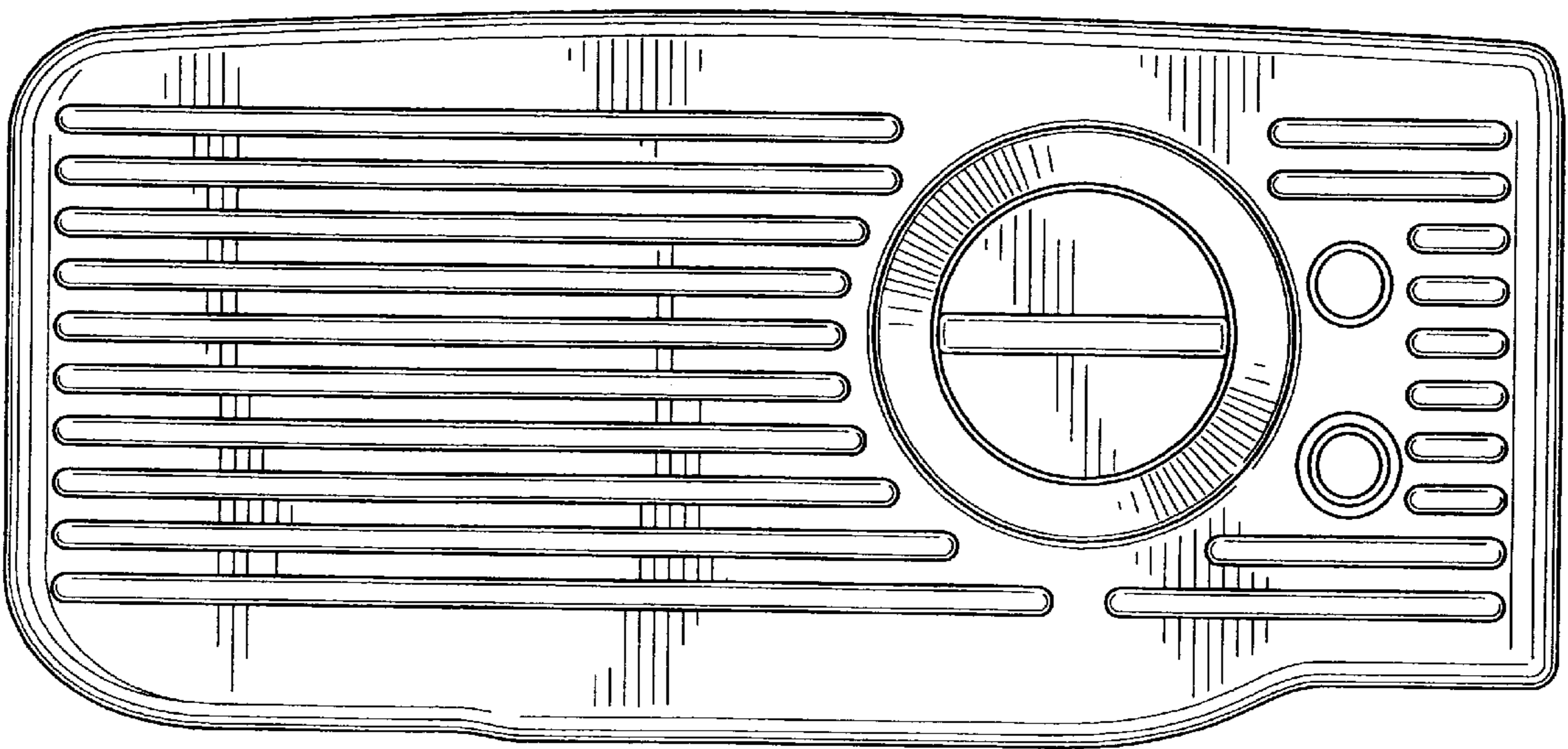


FIG. 5

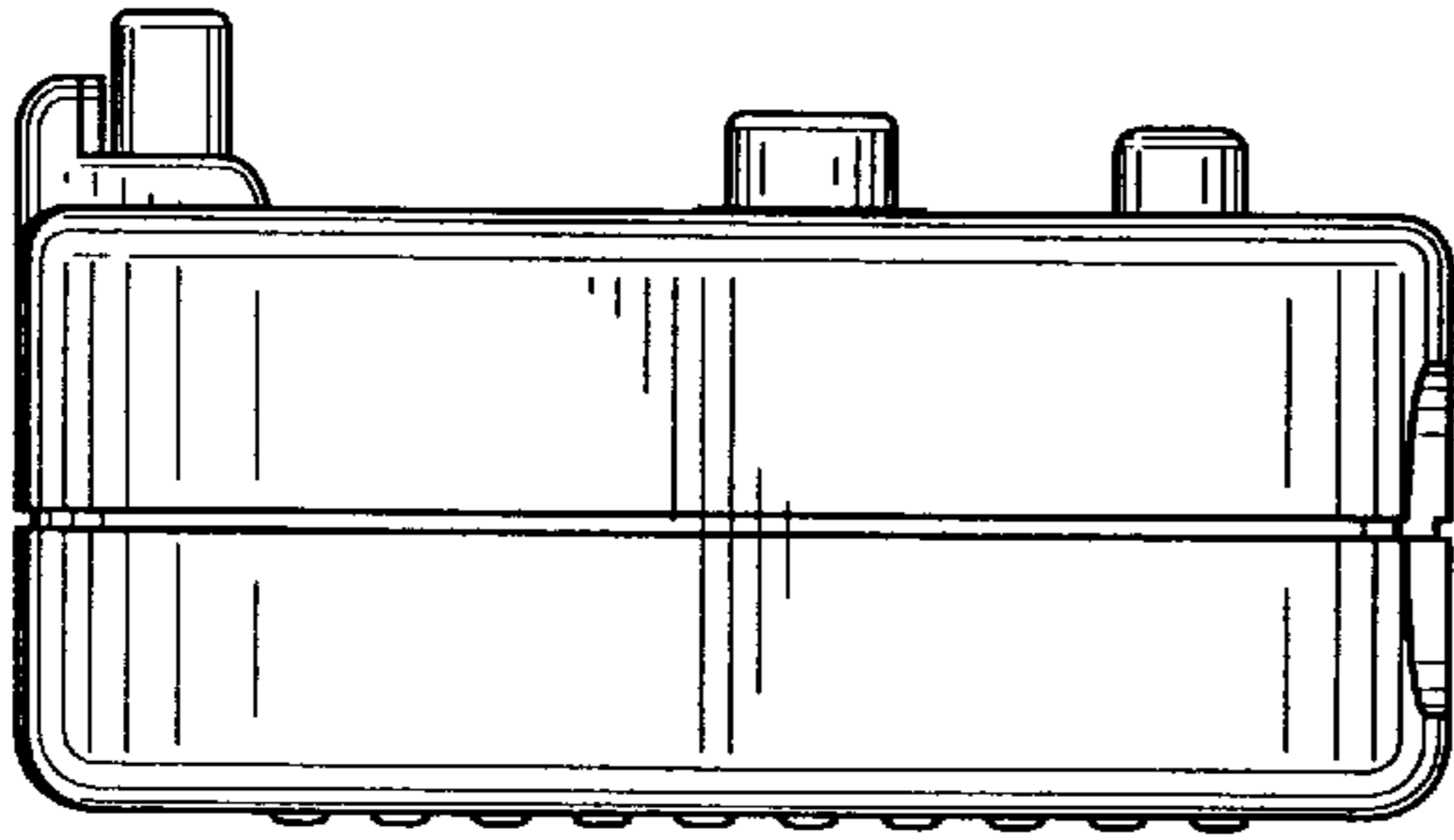


FIG. 6

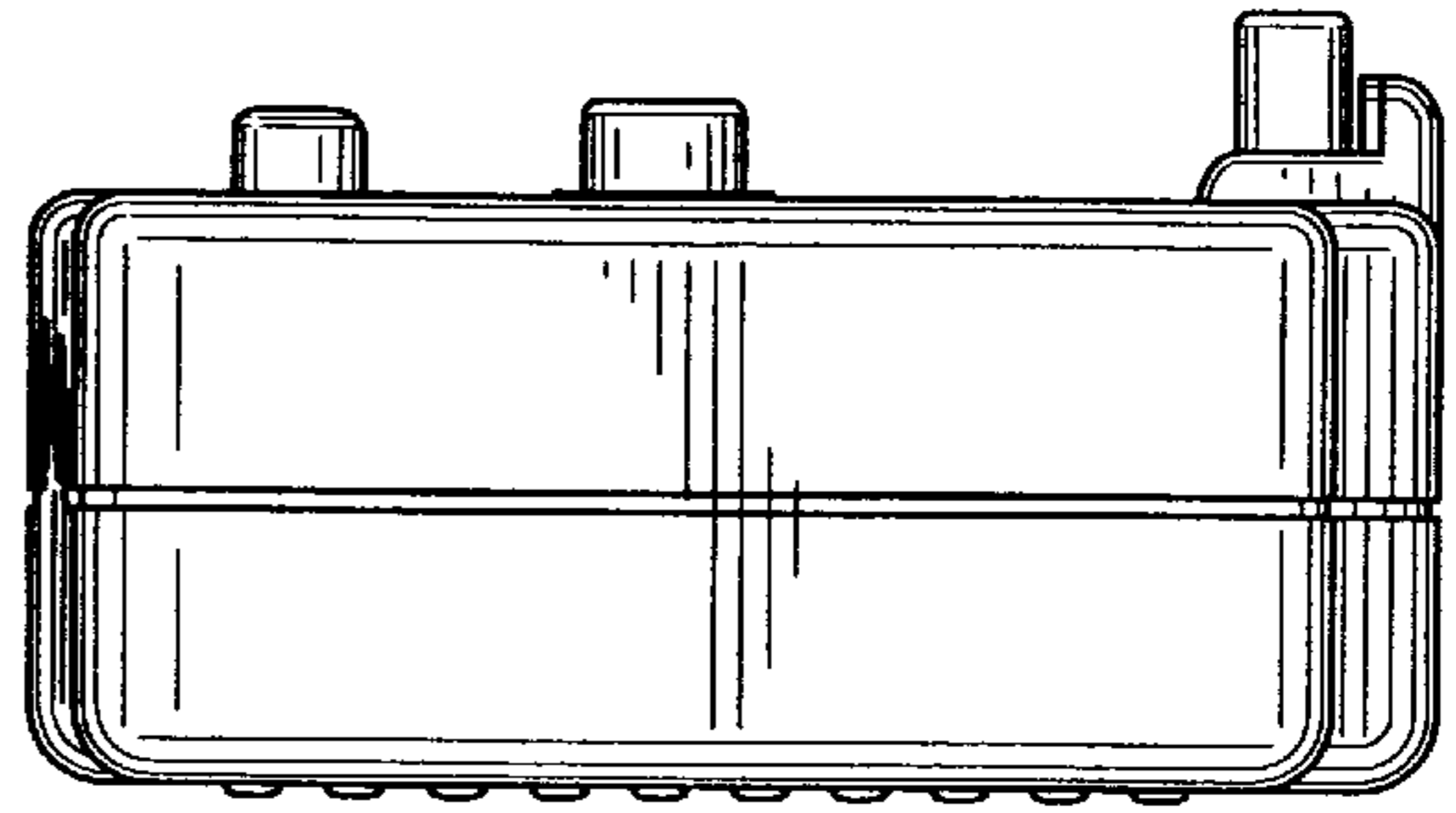


FIG. 7

