



US00D413313S

United States Patent [19]
Henderson et al.

[11] **Patent Number: Des. 413,313**
[45] **Date of Patent: ** Aug. 31, 1999**

[54] **DATA RECEIVER APPARATUS**

[75] Inventors: **Scott Henderson**, New York, N.Y.;
Hiromi Chiba, Kanagawa-ken, Japan

[73] Assignee: **Alps Electric Co., Ltd.**, Tokyo, Japan

[**] Term: **14 Years**

[21] Appl. No.: **29/088,267**

[22] Filed: **May 19, 1998**

[51] **LOC (6) Cl.** **14-02**

[52] **U.S. Cl.** **D14/107; D14/114; D14/137;**
D14/230

[58] **Field of Search** D14/100, 105,
D14/107-109, 137, 114, 230; D13/162,
184, 199; 360/97.01, 97.04, 98.01, 99.01,
99.12; 361/690-696

[56] **References Cited**

U.S. PATENT DOCUMENTS

D. 317,005 5/1991 Wickrema et al. D14/107

D. 356,572 3/1995 Prince D14/230
D. 358,380 5/1995 Sakaguchi D14/114
D. 365,347 12/1995 Geneve et al. D14/230
D. 378,368 3/1997 McGreevy D14/137

Primary Examiner—Freda Nunn
Attorney, Agent, or Firm—Brinks Hofer Gilson & Lione

[57] **CLAIM**

The ornamental design for a data receiver apparatus, as shown and described.

DESCRIPTION

FIG. 1 is a perspective front view of a data receiver apparatus;
FIG. 2 is a front elevation view thereof;
FIG. 3 is a rear elevation view thereof;
FIG. 4 is a top plan view thereof;
FIG. 5 is a right side elevation view thereof;
FIG. 6 is a left side elevation view thereof; and,
FIG. 7 is a bottom plan view thereof.

1 Claim, 4 Drawing Sheets

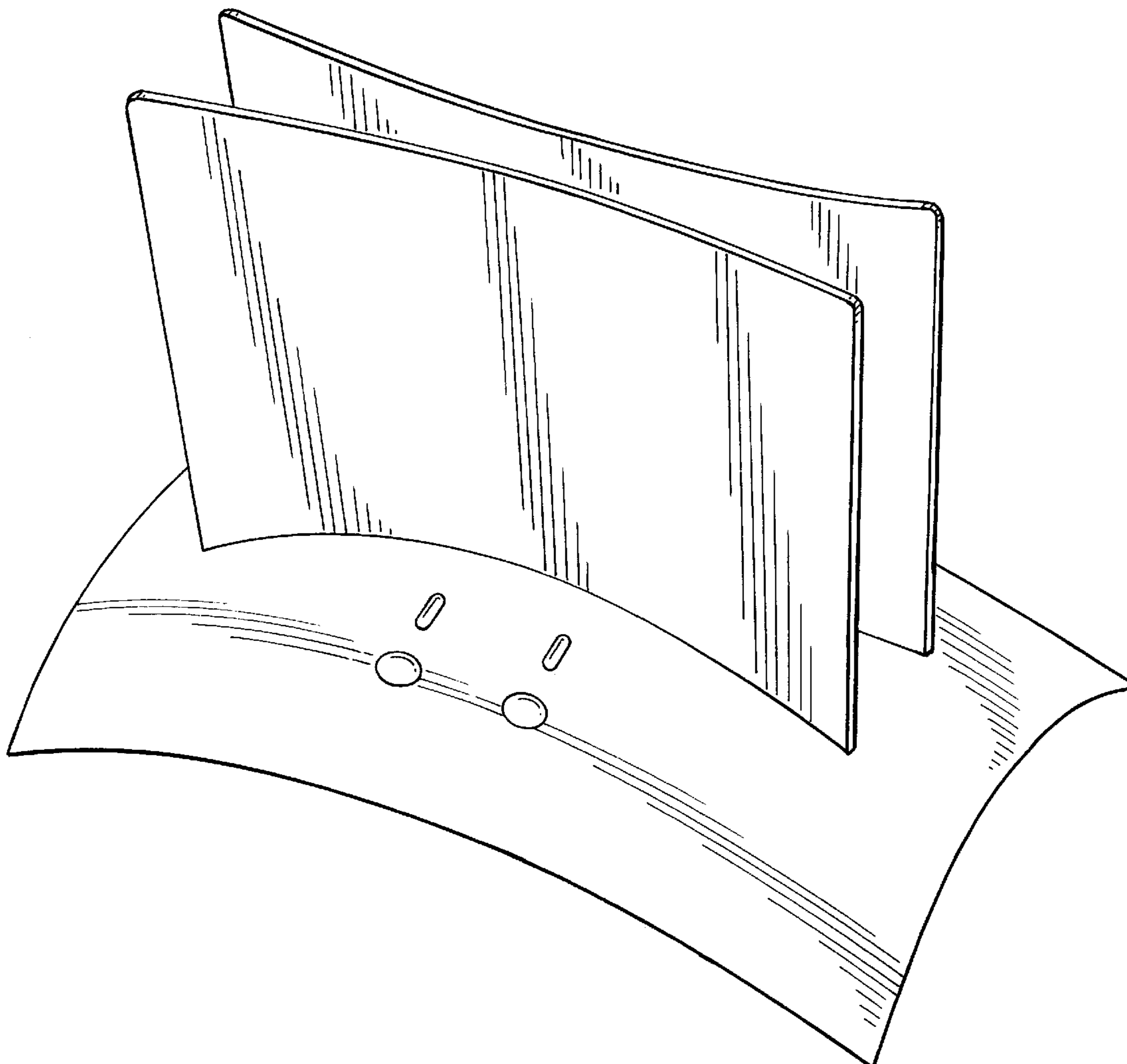


FIG. 1

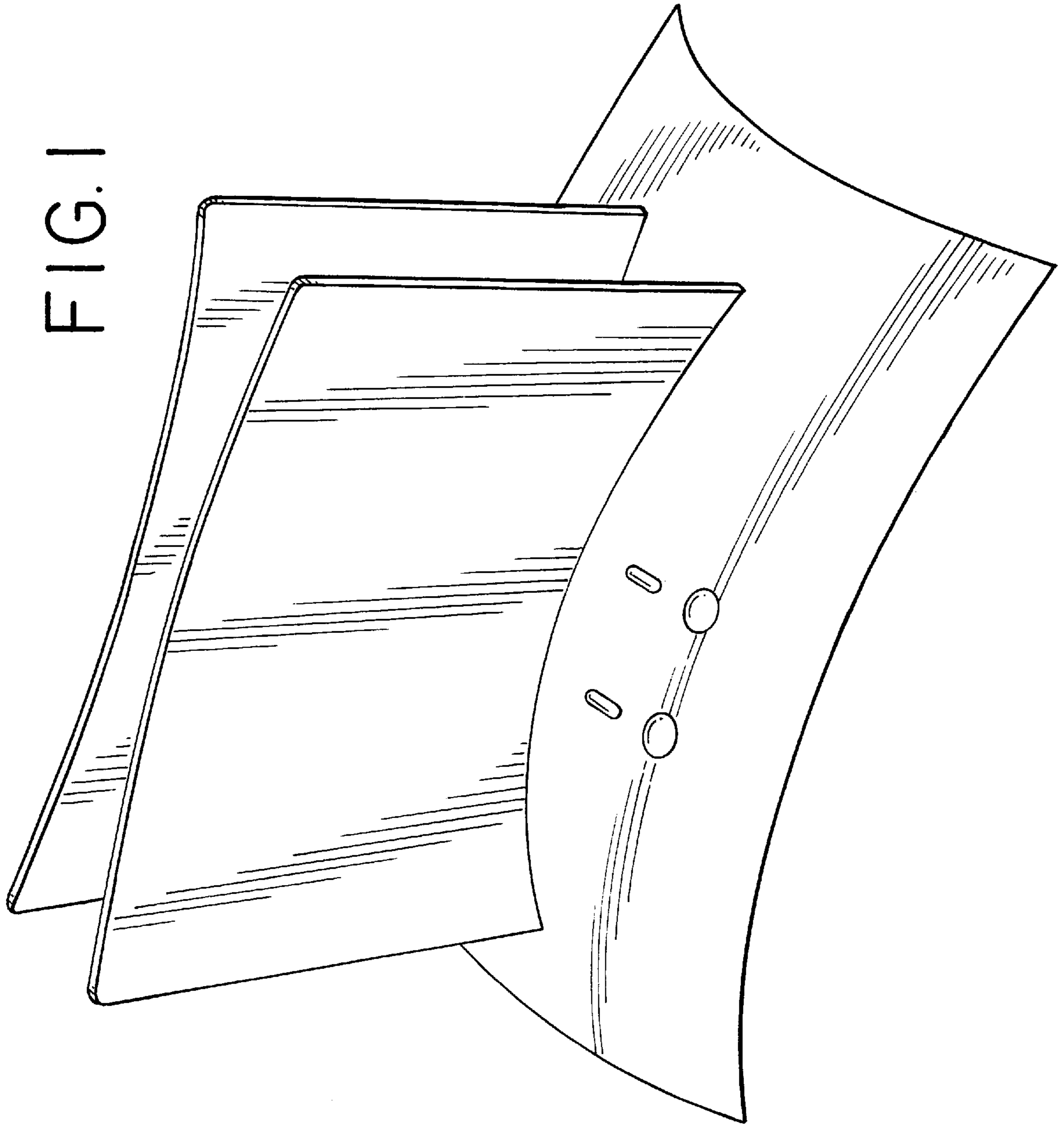


FIG. 2

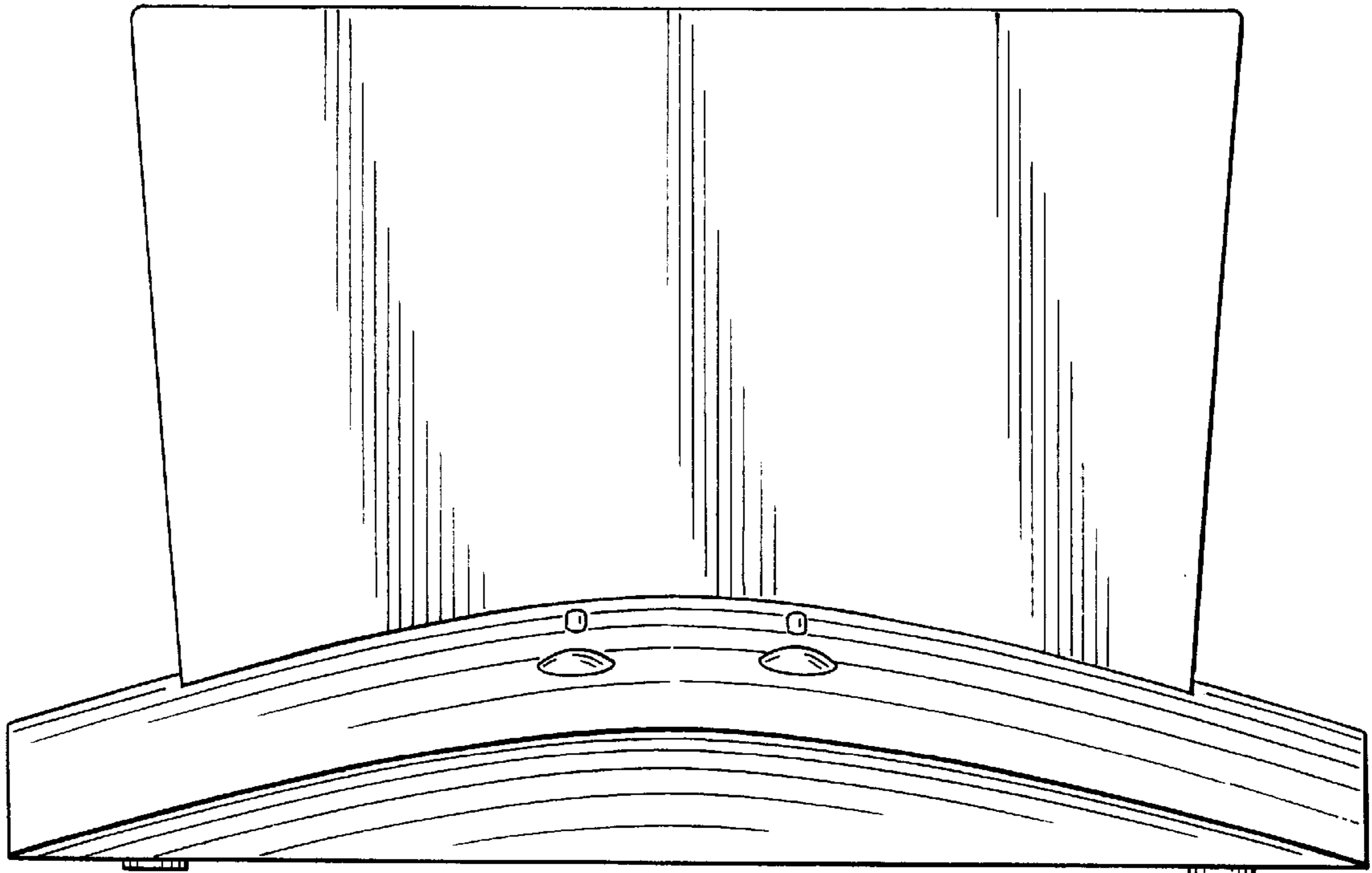


FIG. 3

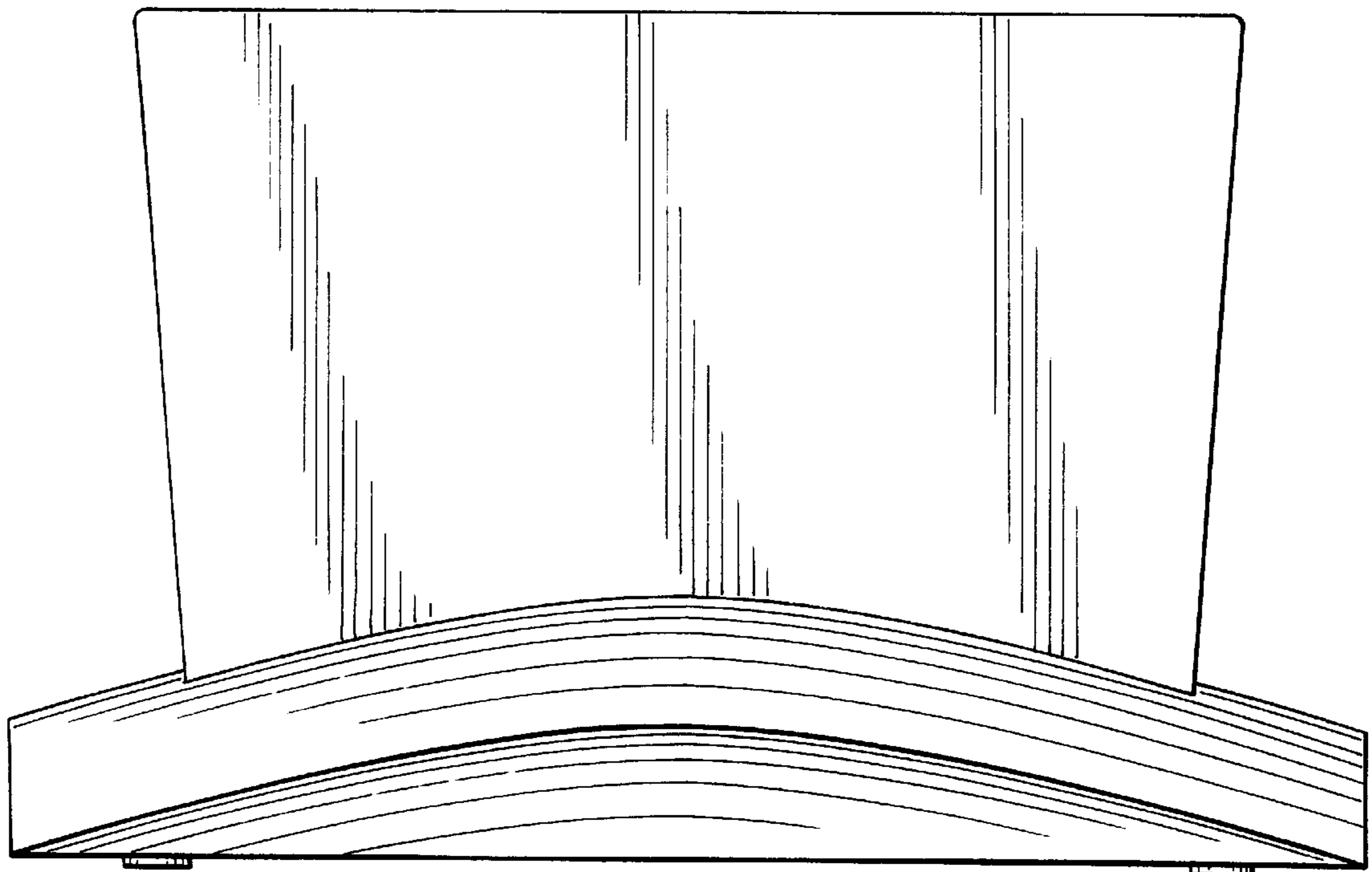


FIG. 4

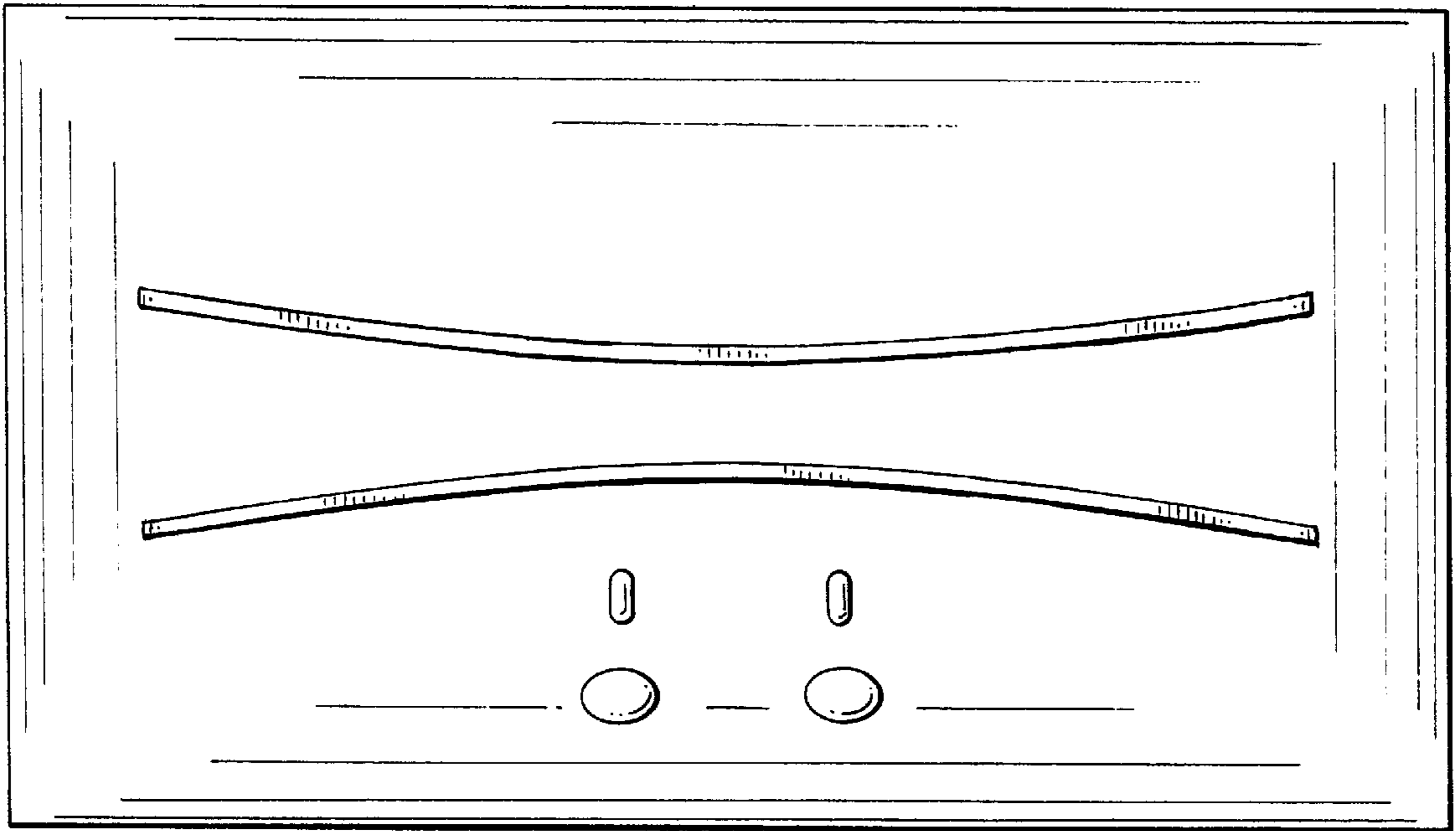


FIG. 5

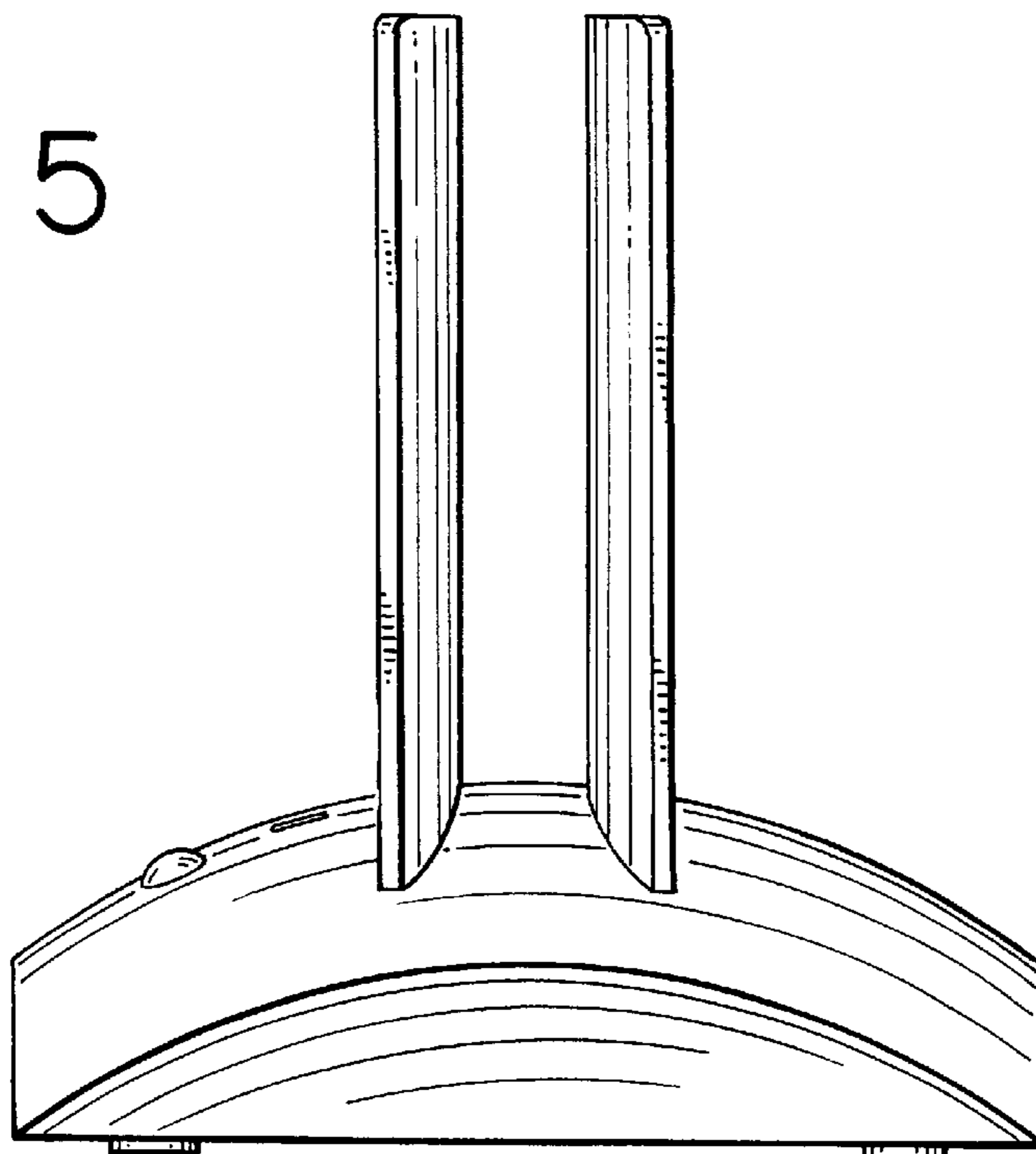


FIG. 6

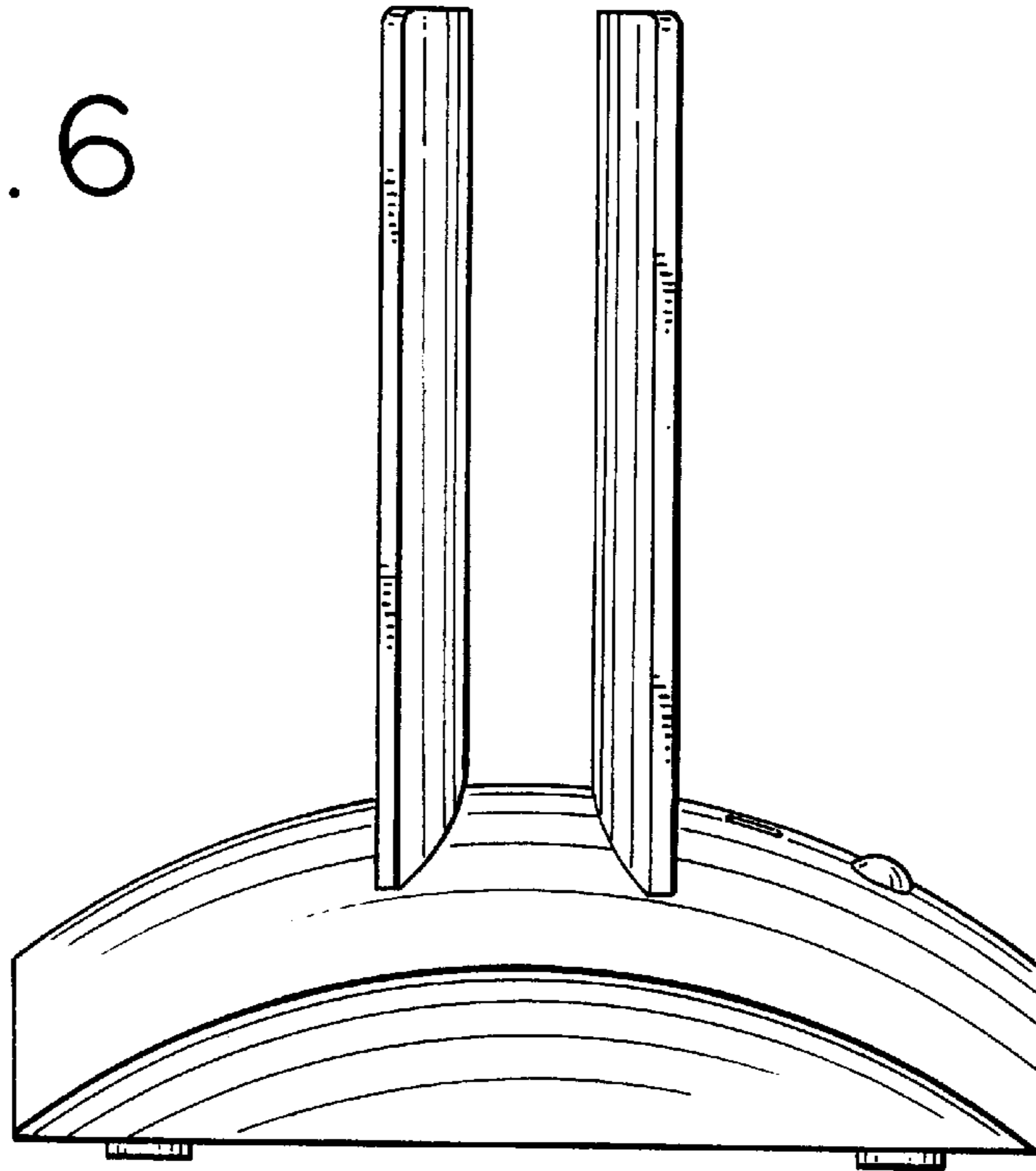


FIG. 7

