



US00D413312S

# United States Patent [19] Suzuki

[11] **Patent Number: Des. 413,312**  
[45] **Date of Patent: \*\* Aug. 31, 1999**

[54] **APPARATUS FOR EXTENSION OF  
FUNCTION OF ELECTRONIC COMPUTERS**

5,535,093 7/1996 Nogochi et al. .... 361/686

[75] Inventor: **Shogo Suzuki**, Chiba-ken, Japan

[73] Assignee: **Kabushiki Kaisha Toshiba**, Kawasaki,  
Japan

[\*\*] Term: **14 Years**

[21] Appl. No.: **29/087,094**

[22] Filed: **Apr. 28, 1998**

[30] **Foreign Application Priority Data**

Dec. 17, 1997 [JP] Japan ..... 9-78465

[51] **LOC (6) Cl.** ..... **14-02**

[52] **U.S. Cl.** ..... **D14/107**

[58] **Field of Search** ..... D14/100, 107,  
D14/109, 114; 439/540.1, 638-9, 635, 676,  
95, 248, 639; 361/683-686; D13/146-7,  
184, 199

[56] **References Cited**

**U.S. PATENT DOCUMENTS**

- D. 332,091 12/1992 Iino .
- D. 336,287 6/1993 Mizusugi et al. .
- D. 359,034 6/1995 Kondo .
- D. 396,705 8/1998 Iino ..... D14/107
- D. 400,515 11/1998 Shima ..... D14/107
- D. 405,064 2/1999 Iino ..... D14/107
- 5,411,416 5/1995 Balon et al. .... 439/639

**FOREIGN PATENT DOCUMENTS**

- M94 04 957 12/1994 Germany .
- M94 04 958 12/1994 Germany .
- M94 04 969 12/1994 Germany .
- 901663 6/1994 Japan .
- 972535 1/1997 Japan .
- 255690 8/1995 Taiwan .

**OTHER PUBLICATIONS**

PCY-350NR, SONY, selected pages, dated Oct. 24, 1991.  
MACLIFE, p. 206, dated 1993.

*Primary Examiner*—M. H. Tung  
*Attorney, Agent, or Firm*—Banner & Witcoff, Ltd.

[57] **CLAIM**

The ornamental design for an apparatus for extension of function of electronic computers, as shown and described.

**DESCRIPTION**

FIG. 1 is a top, front and right side perspective view of an apparatus for extension of function of electronic computers showing my new design;  
FIG. 2 is a front elevational view thereof;  
FIG. 3 is a top plan view thereof;  
FIG. 4 is a bottom plan view thereof;  
FIG. 5 is a rear elevational view thereof; and,  
FIG. 6 is a right side elevational view thereof, the left side elevational view being a mirror image.

**1 Claim, 3 Drawing Sheets**

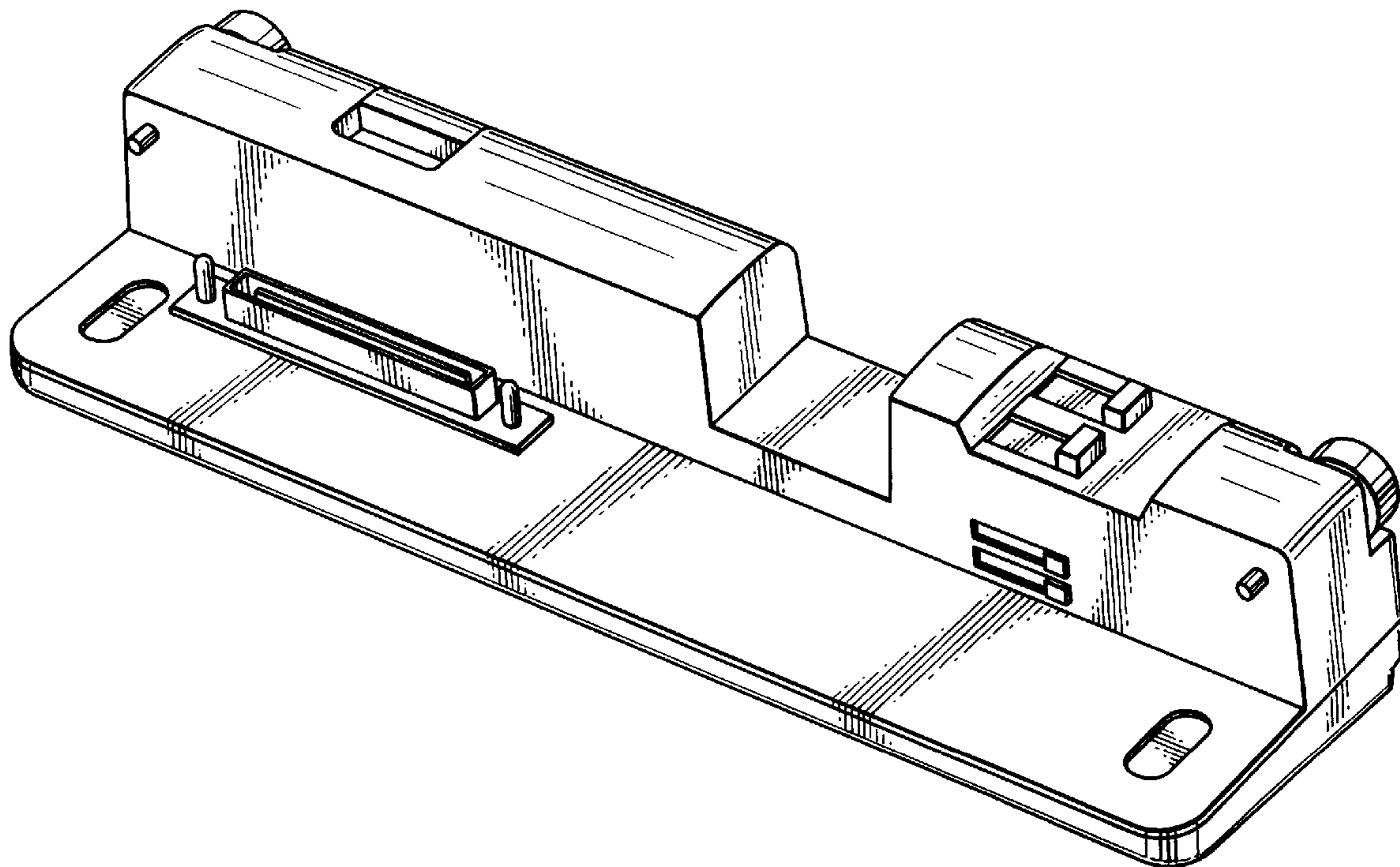


FIG. 1

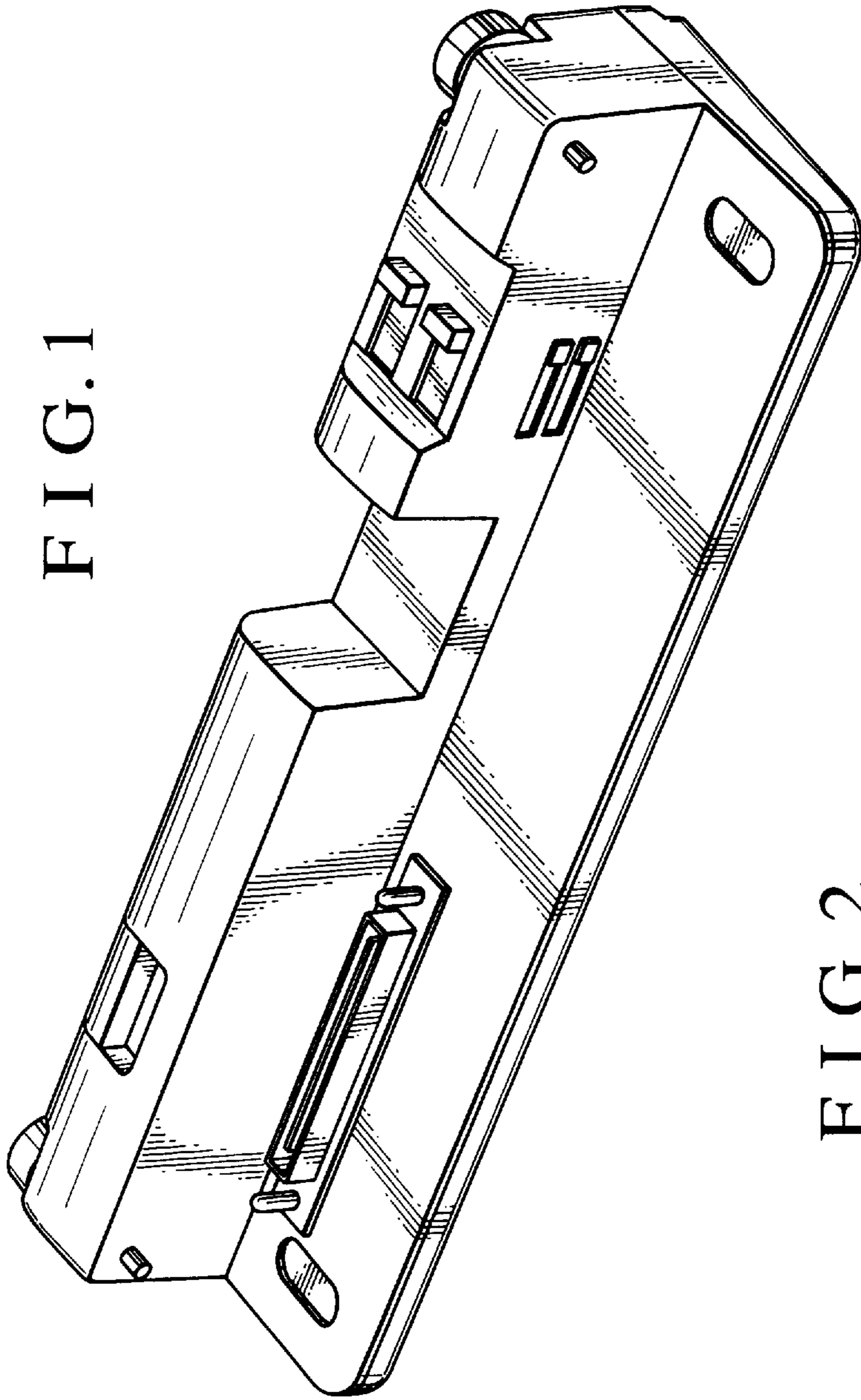


FIG. 2

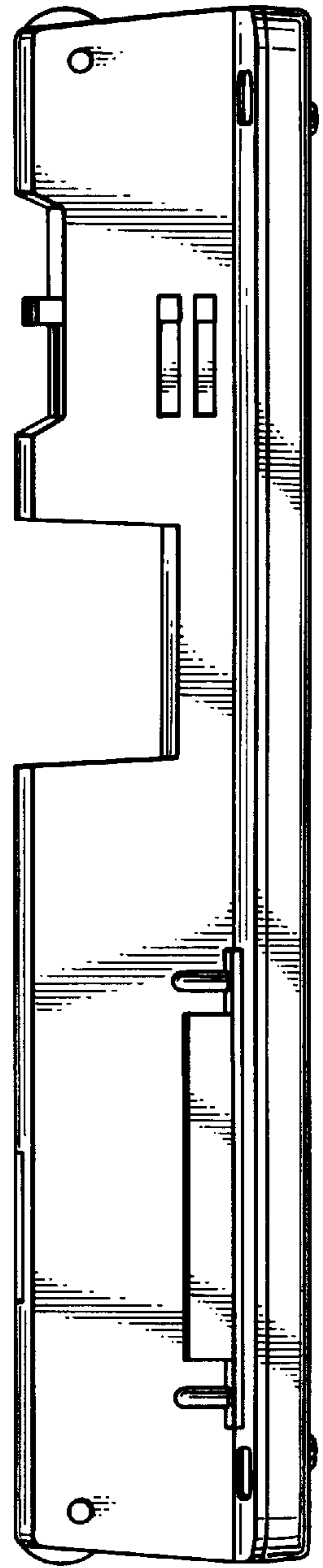


FIG. 3

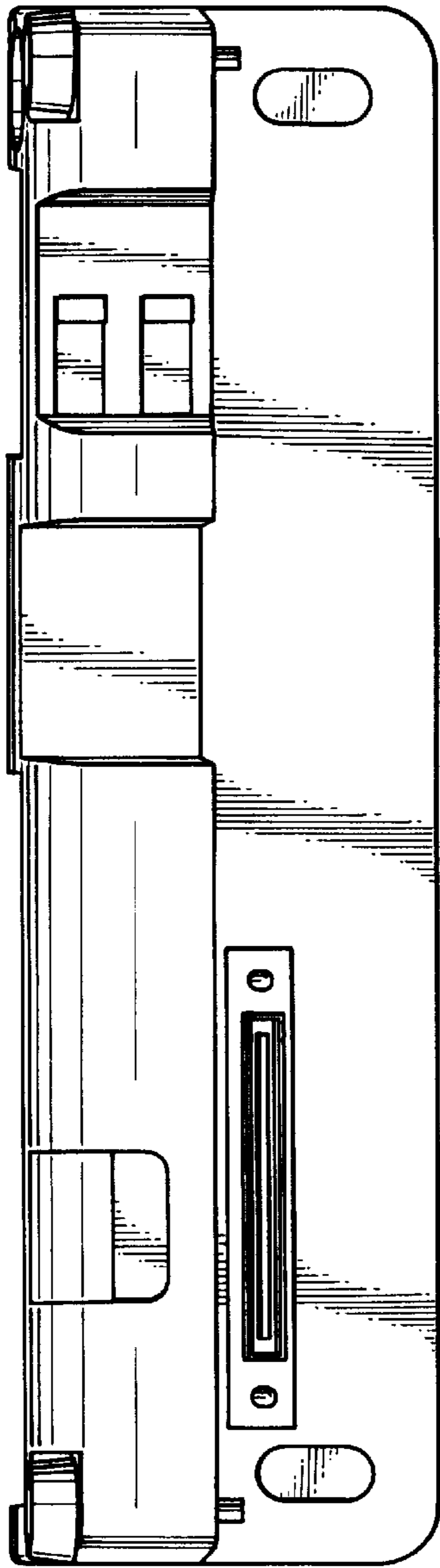


FIG. 4

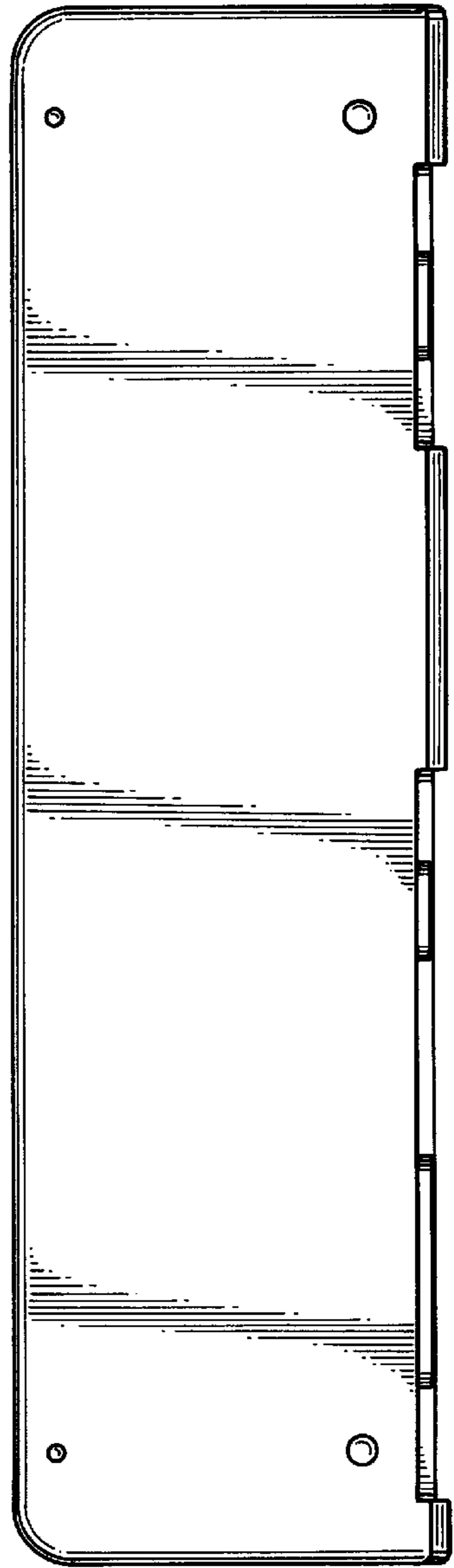


FIG. 5

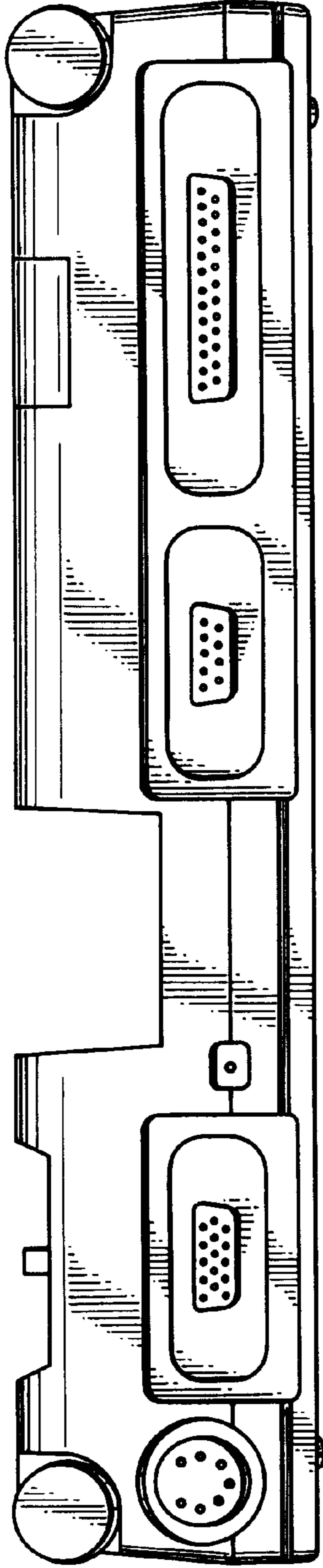


FIG. 6

