



US00D413306S

United States Patent [19] Scherer et al.

[11] **Patent Number: Des. 413,306**

[45] **Date of Patent: ** Aug. 31, 1999**

[54] **RIGHT ANGLE SINGLE RACEWAY FITTING**

[75] Inventors: **Craig Scherer, Wilmette; Michael Thuma, Des Plaines, both of Ill.**

[73] Assignee: **Panduit Corp., Tinley Park, Ill.**

[**] Term: **14 Years**

[21] Appl. No.: **29/094,630**

[22] Filed: **Jun. 4, 1998**

Related U.S. Application Data

[63] Continuation of application No. 29/063,396, Dec. 6, 1996, Pat. No. Des. 402,263.

[51] **LOC (6) Cl. 13-03**

[52] **U.S. Cl. D13/155**

[58] **Field of Search** D13/155; 174/48, 174/49, 68.3, 72 C, 95, 101; 138/92, 155, 156, 157, 162; 52/220.7, 287.1

[56] References Cited

U.S. PATENT DOCUMENTS

D. 181,706	12/1957	Cataldo	D13/155
D. 288,802	3/1987	Bramwell .	
D. 334,380	3/1993	Henneberger	D13/155
D. 334,562	4/1993	Maloney .	
1,817,034	8/1931	Hotchkin .	
4,589,449	5/1986	Bramwell .	

4,602,124	7/1986	Santucci	174/101
4,618,741	10/1986	Bramwell .	
4,875,871	10/1989	Booty, Sr. et al.	174/72 C X
4,951,716	8/1990	Tsunoda et al.	138/162
5,235,136	8/1993	Santucci et al. .	
5,682,926	11/1997	Perttula .	
5,753,855	5/1998	Nicoli et al.	174/49

Primary Examiner—Joel Sincavage
Attorney, Agent, or Firm—Mark D. Hilliard; Robert A. McCann; Michael J. Turgeon

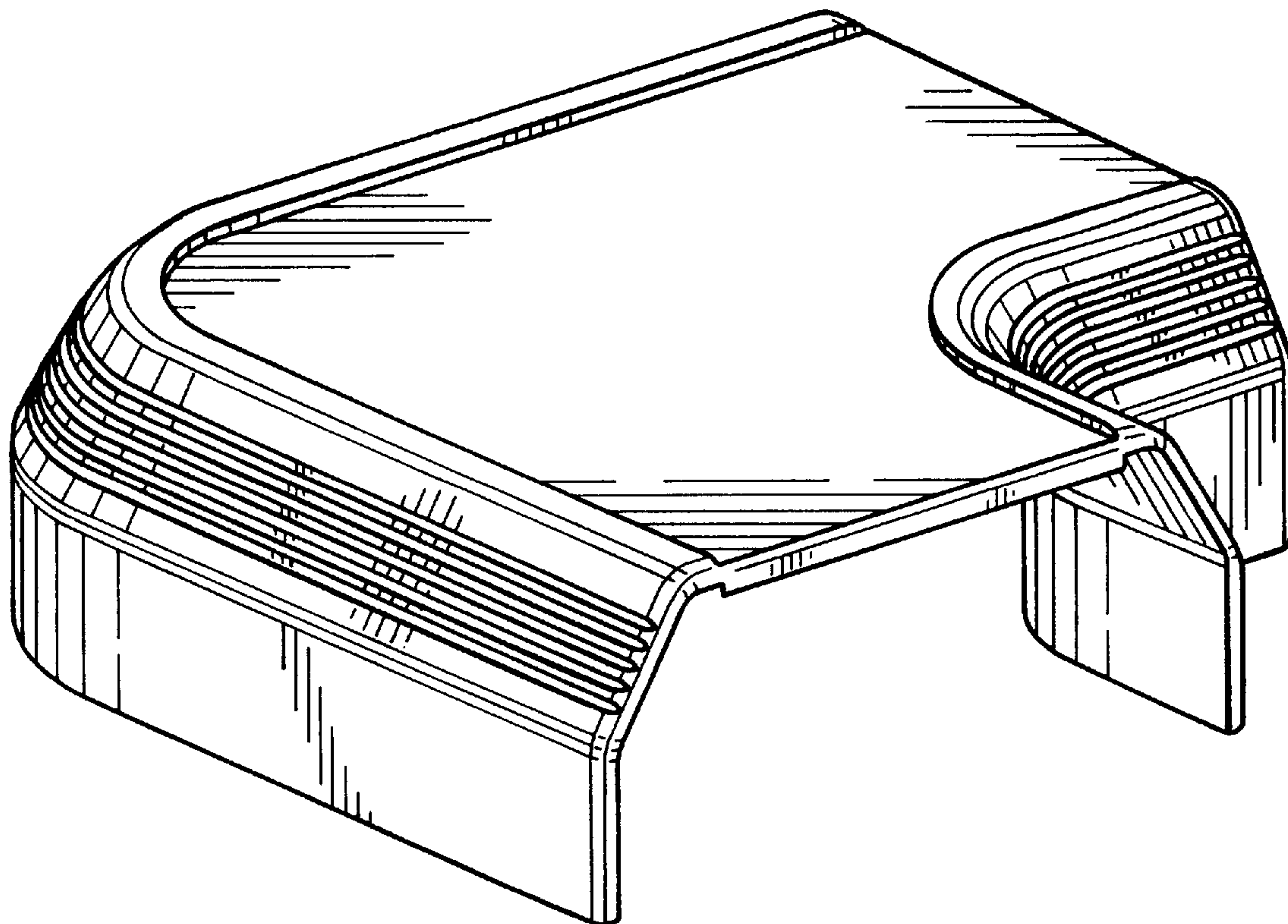
[57] CLAIM

The ornamental design for right angle single raceway fitting, as shown and described.

DESCRIPTION

FIG. 1 is a front and upper left perspective view of the right angle single raceway fitting;
FIG. 2 is a front elevational view thereof, the right side elevational view being a mirror image;
FIG. 3 is a left side elevational view thereof, the rear elevational view being a mirror image;
FIG. 4 is a top plan view thereof;
FIG. 5 is a bottom plan view thereof; and,
FIG. 6 is a fragmentary detail end view of the ornamental grooved portion of the right sidewall of the raceway fitting, the corresponding portion of left sidewall being a mirror image.

1 Claim, 4 Drawing Sheets



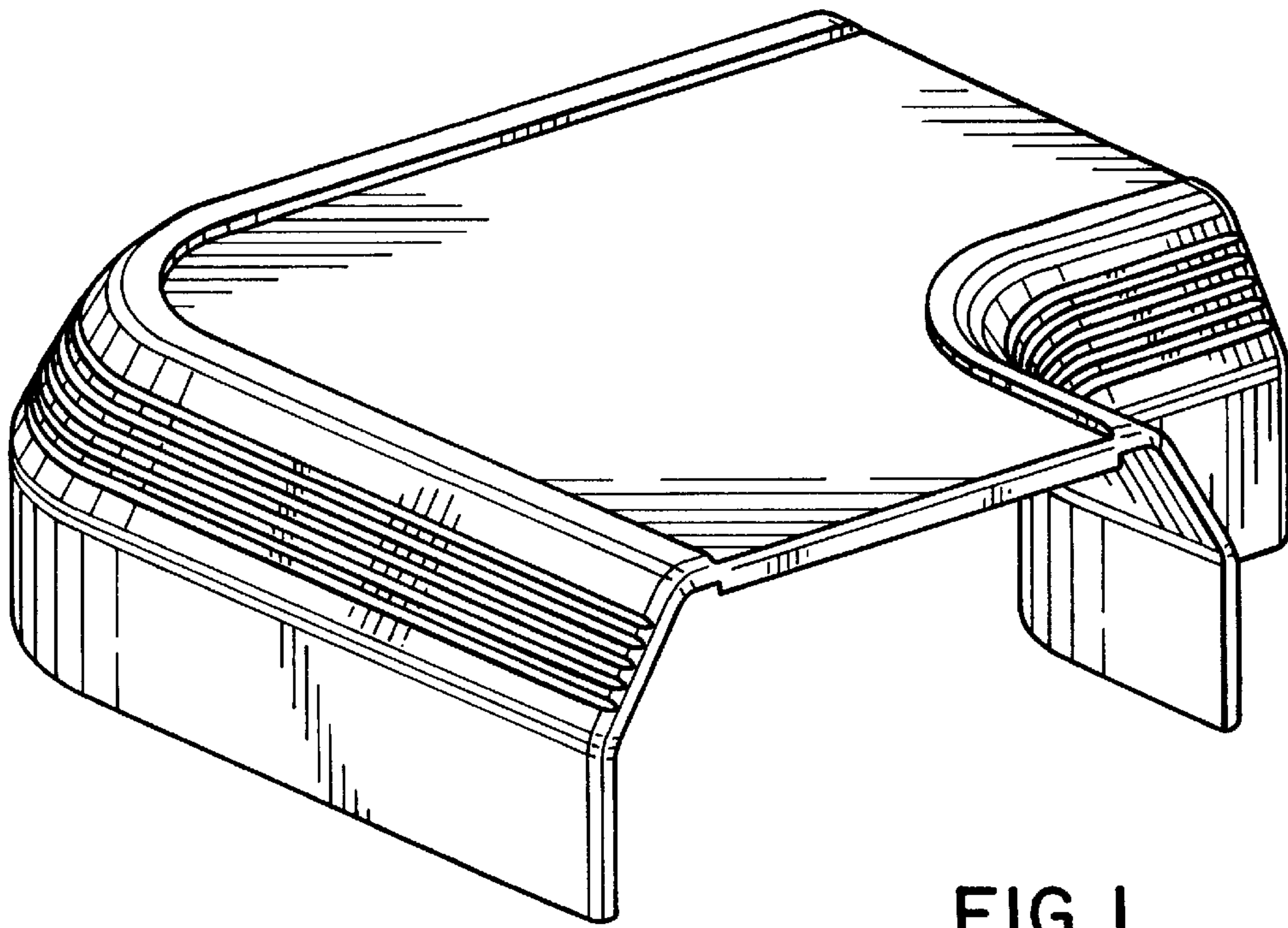


FIG. 1

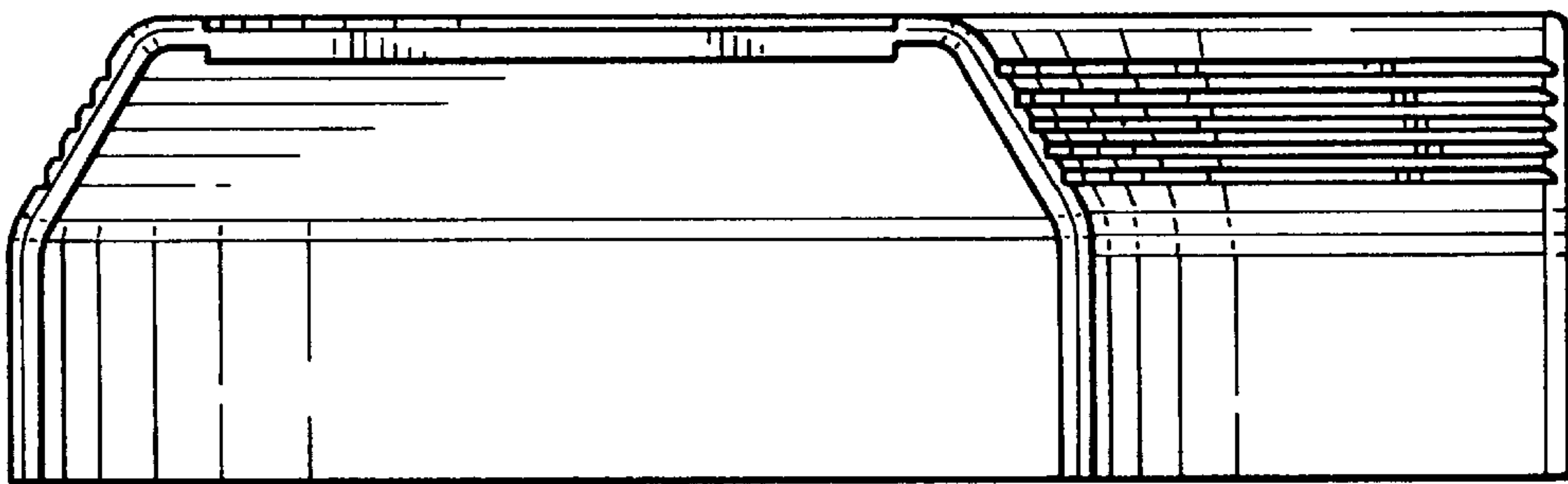


FIG. 2

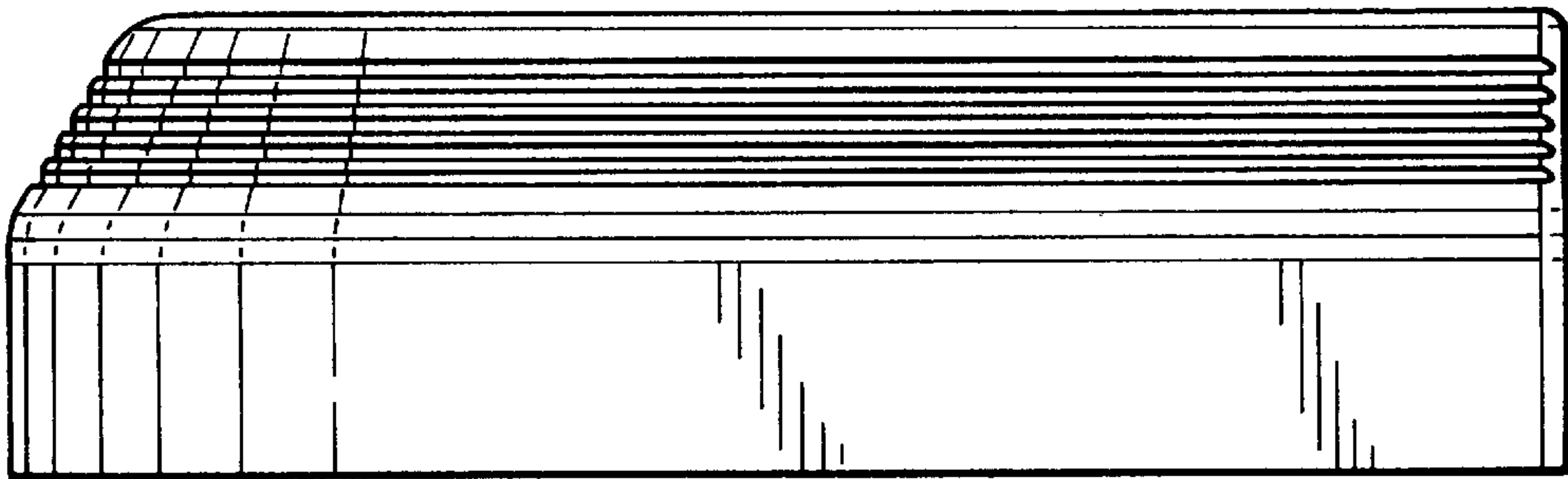


FIG. 3

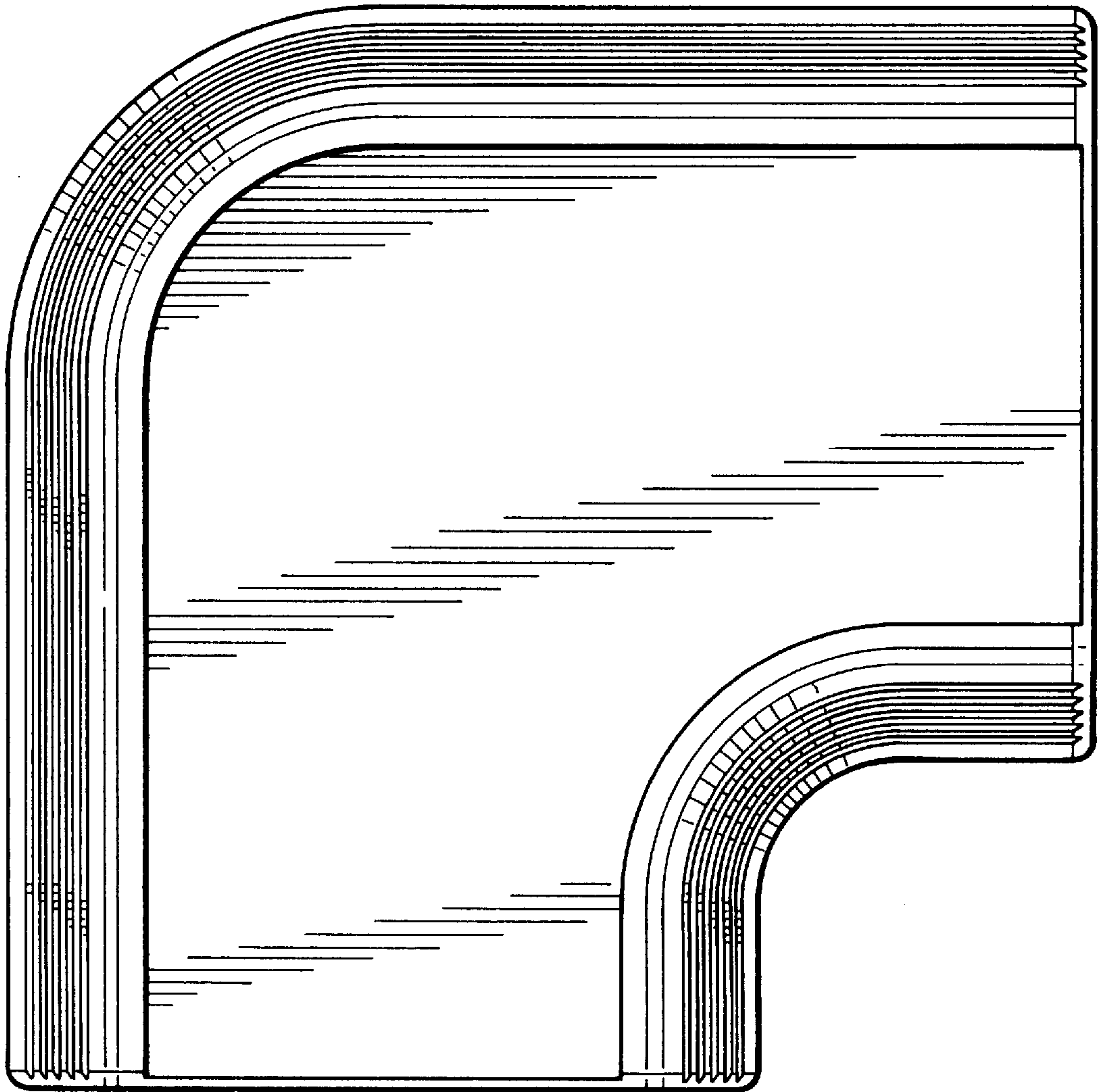


FIG. 4

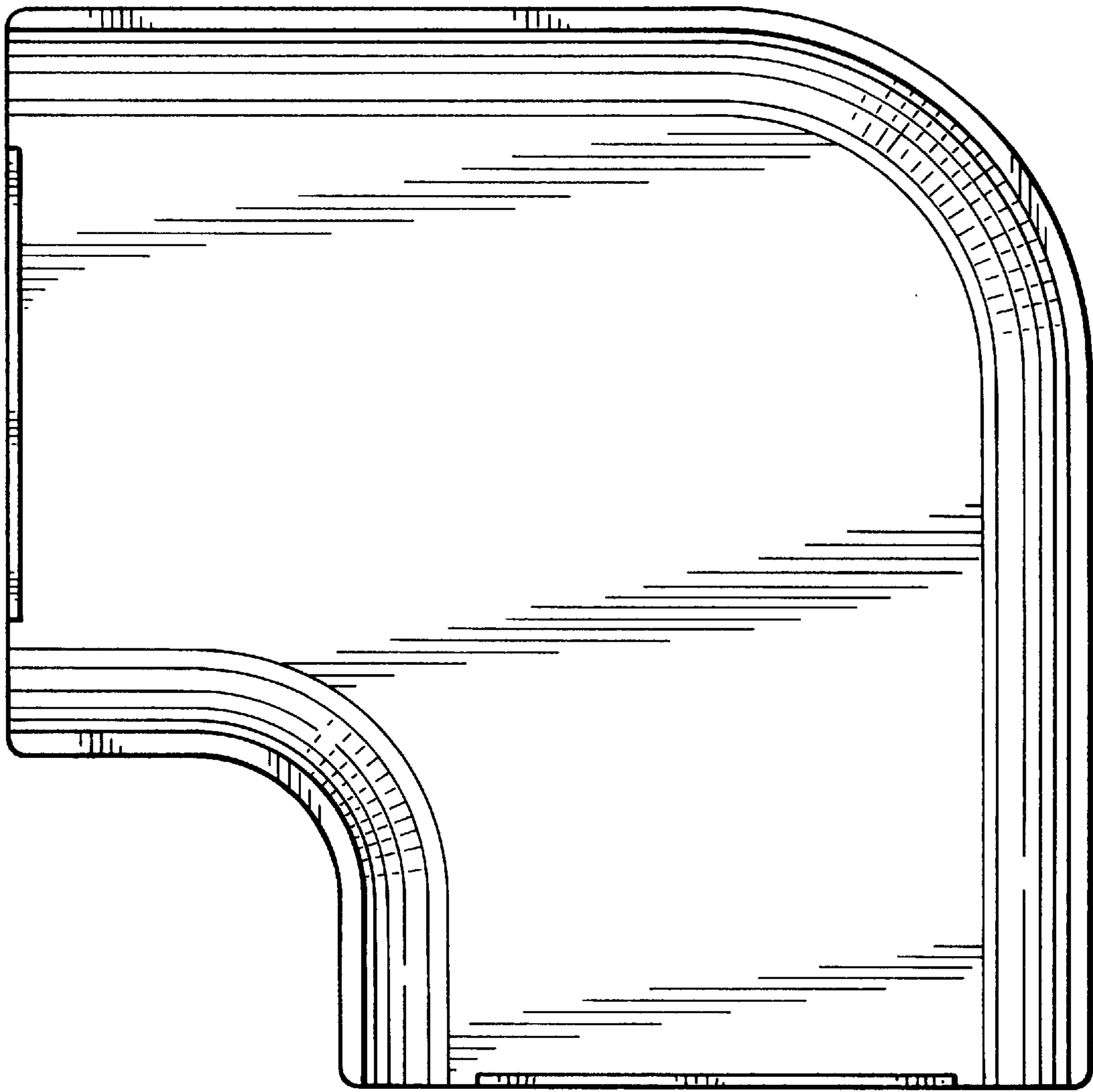


FIG. 5

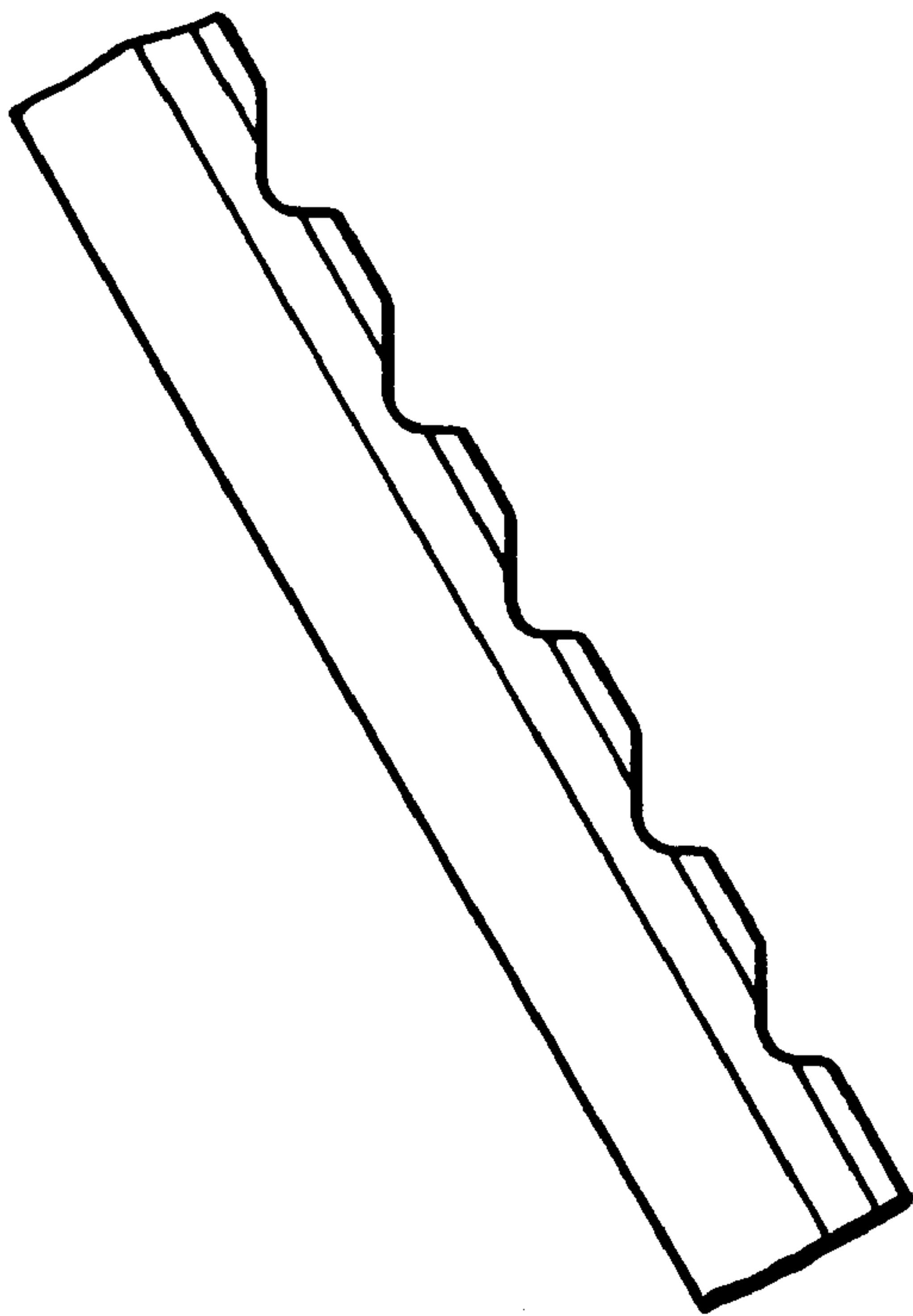


FIG. 6