



US00D413304S

United States Patent [19] Moehler

[11] **Patent Number: Des. 413,304**

[45] **Date of Patent: ** Aug. 31, 1999**

[54] **CONNECTING TERMINAL FOR SIGNAL LINES**

[75] Inventor: **Harald Moehler**, Nuremberg, Germany

[73] Assignee: **Siemens Aktiengesellschaft**, Munich, Germany

[**] Term: **14 Years**

[21] Appl. No.: **29/074,000**

[22] Filed: **Jul. 22, 1997**

[30] **Foreign Application Priority Data**

Jan. 22, 1997 [DE] Germany M 97 00 739.0

[51] **LOC (6) Cl.** **13-03**

[52] **U.S. Cl.** **D13/147; D13/162.1**

[58] **Field of Search** D13/146, 147, D13/162.1; 361/826, 827

[56] **References Cited**

U.S. PATENT DOCUMENTS

- D. 282,461 2/1986 Shimizu et al. D13/162.1
- D. 307,740 5/1990 Shibama et al. D13/162.1
- D. 316,247 4/1991 Liabres D13/162.1

D. 358,369 5/1995 Shimizu et al. D13/162.1

Primary Examiner—Joel Sincavage
Attorney, Agent, or Firm—Kenyon & Kenyon

[57] **CLAIM**

The ornamental design for a connecting terminal for signal lines, as shown and described.

DESCRIPTION

FIG. 1 is a front perspective view of a connecting terminal for signal lines embodying my new design; FIG. 2 is a front plan view thereof; FIG. 3 is a right elevational view thereof; FIG. 4 is a left elevational view thereof; FIG. 5 is a top plan view thereof; FIG. 6 is a bottom plan view thereof; FIG. 7 is a rear plan view thereof; FIG. 8 is a front perspective view of a connecting terminal with the central cover in a pivoted position showing additional aspects of the ornamental design; FIG. 9 is a front perspective view of a connecting terminal with the three covers removed showing additional aspects of the ornamental design; and, FIG. 10 is a front plan view of the design shown in FIG. 9.

1 Claim, 10 Drawing Sheets

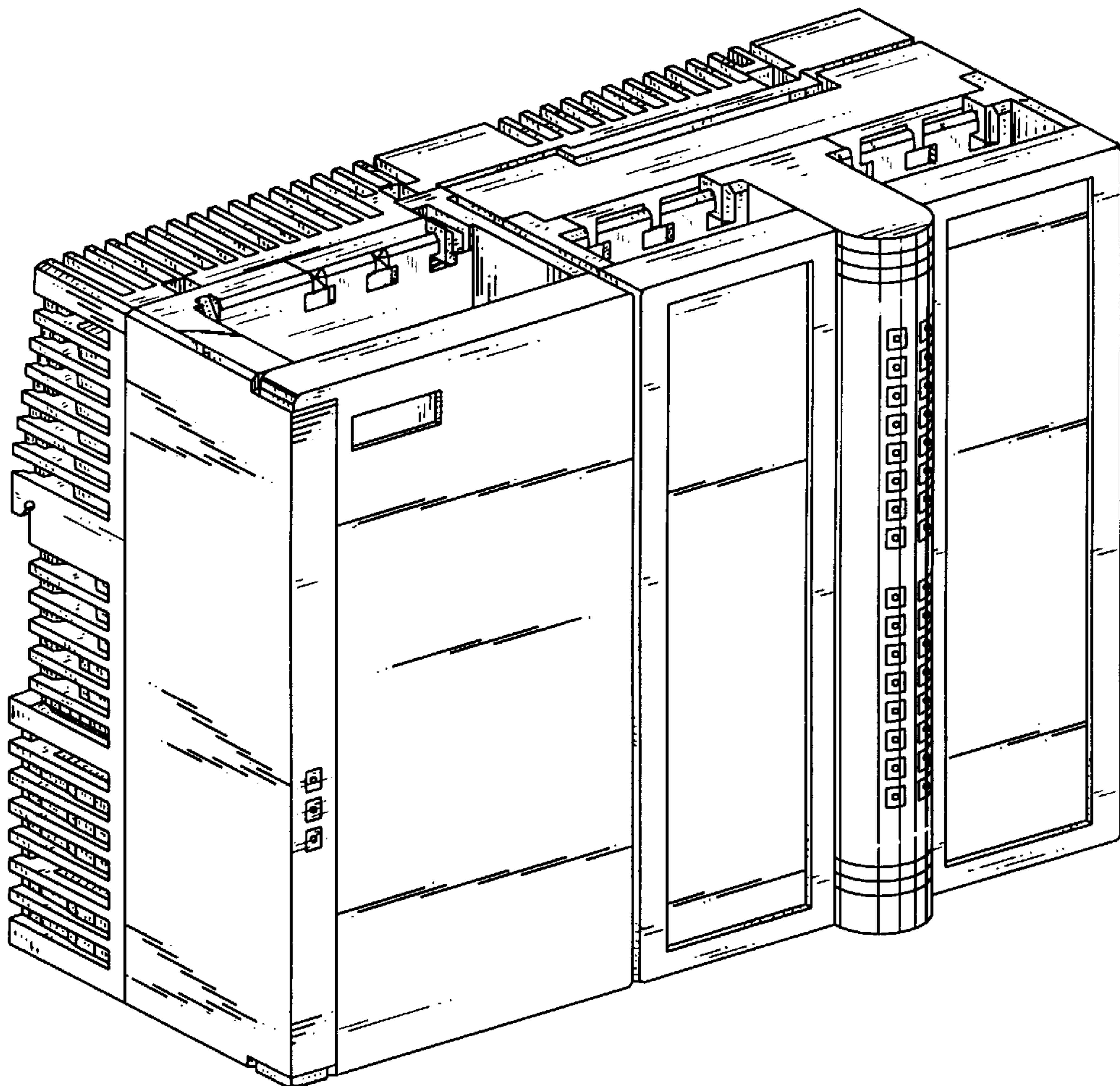
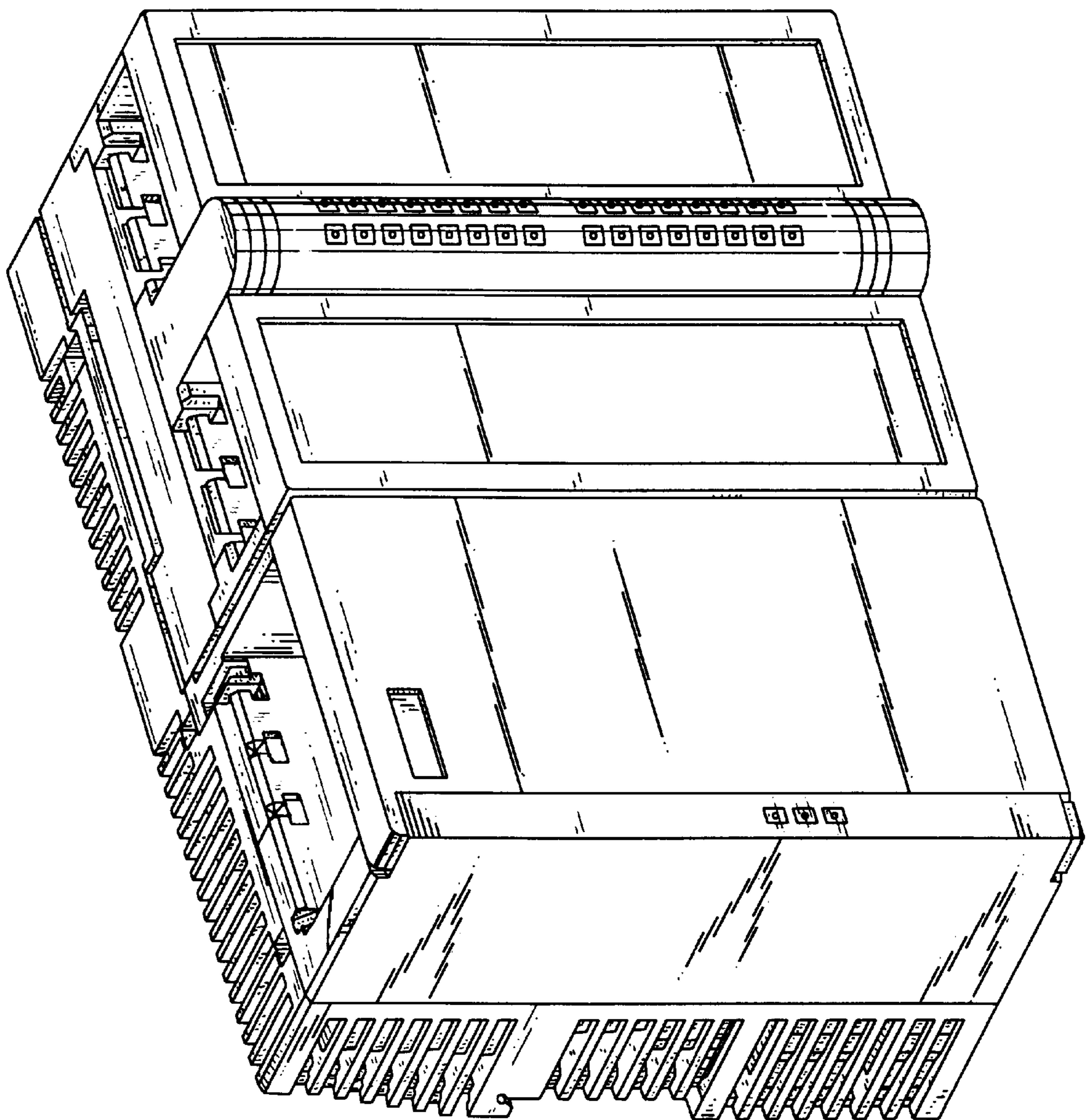


FIG. 1



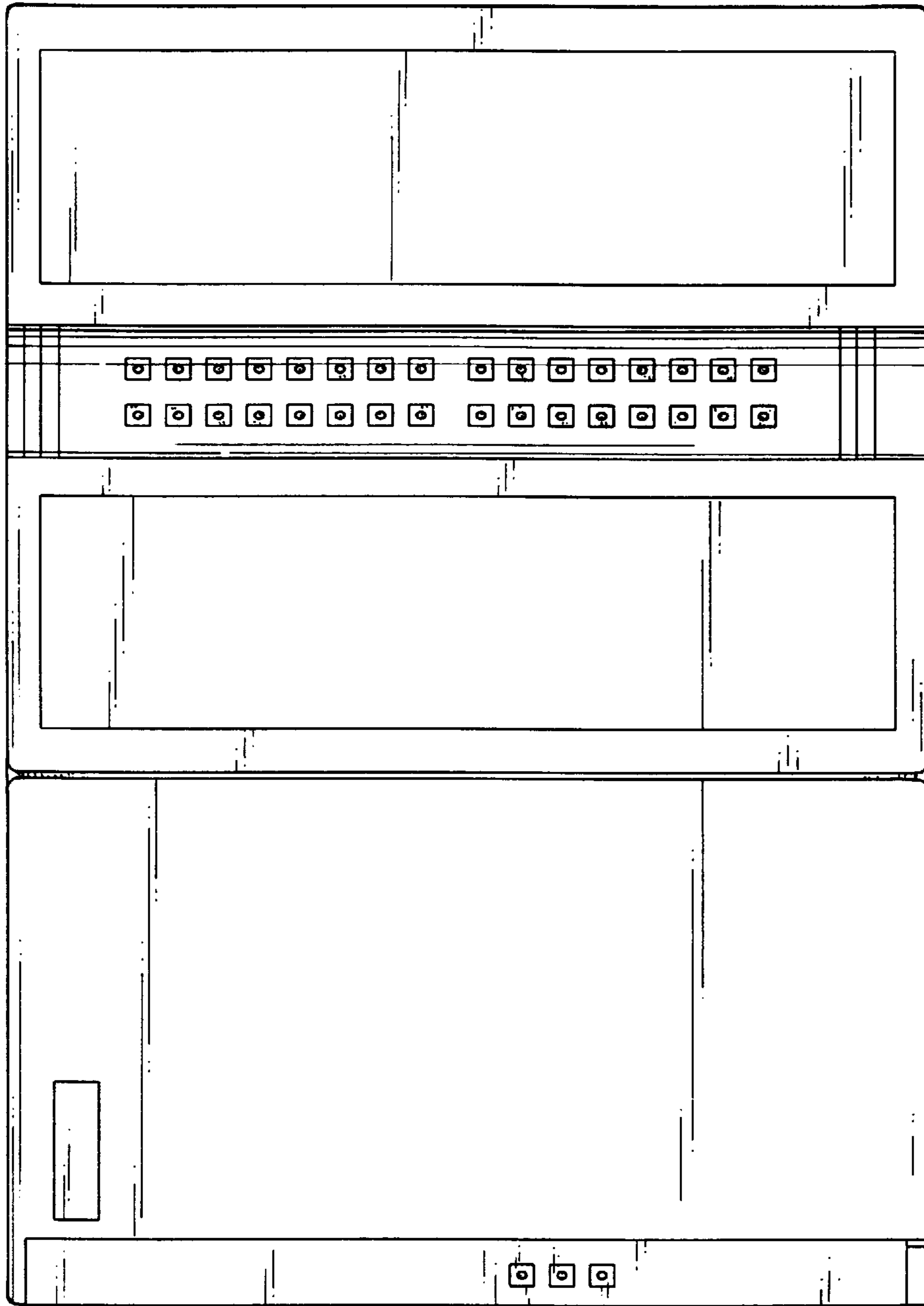


FIG. 2

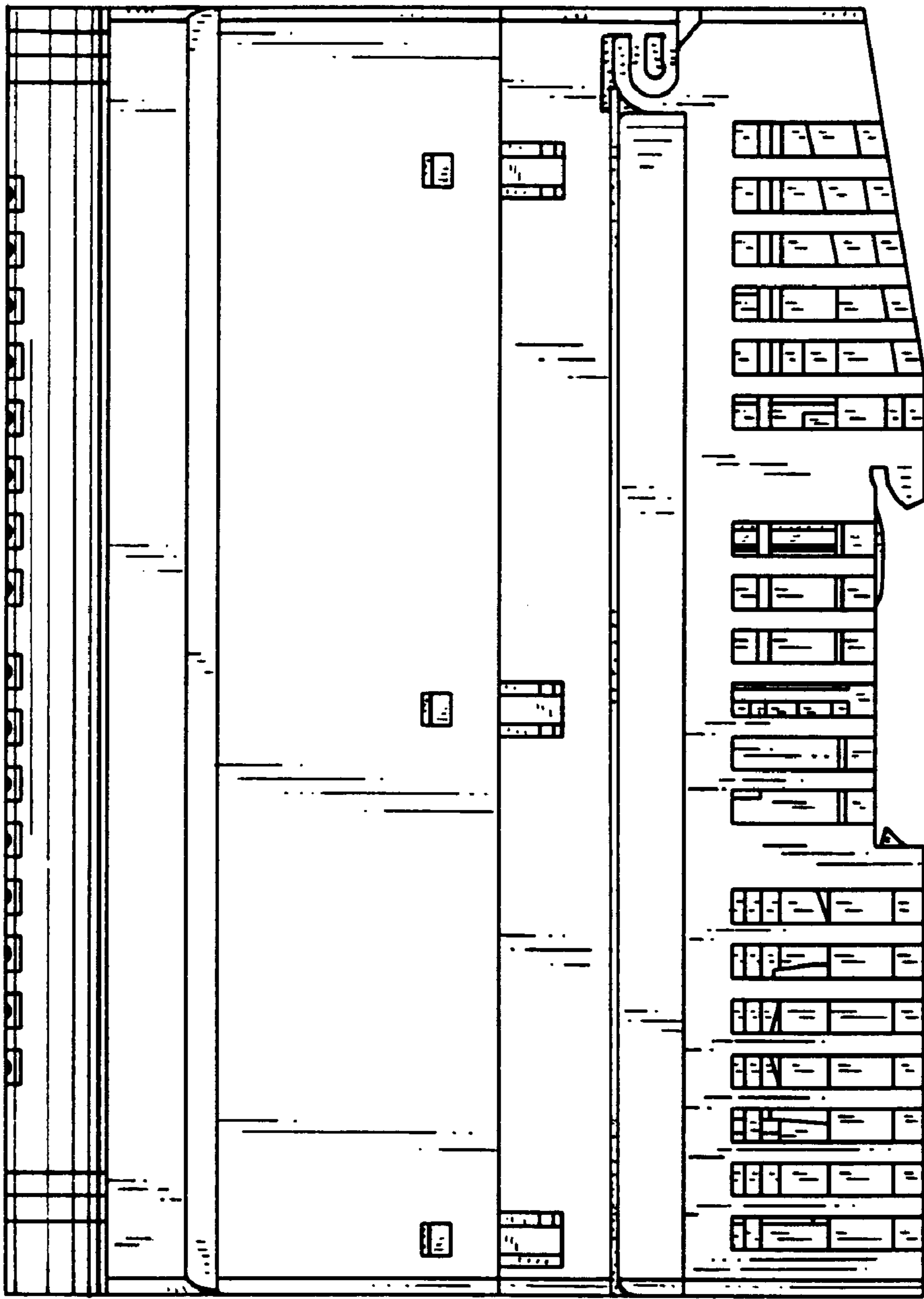


FIG. 3

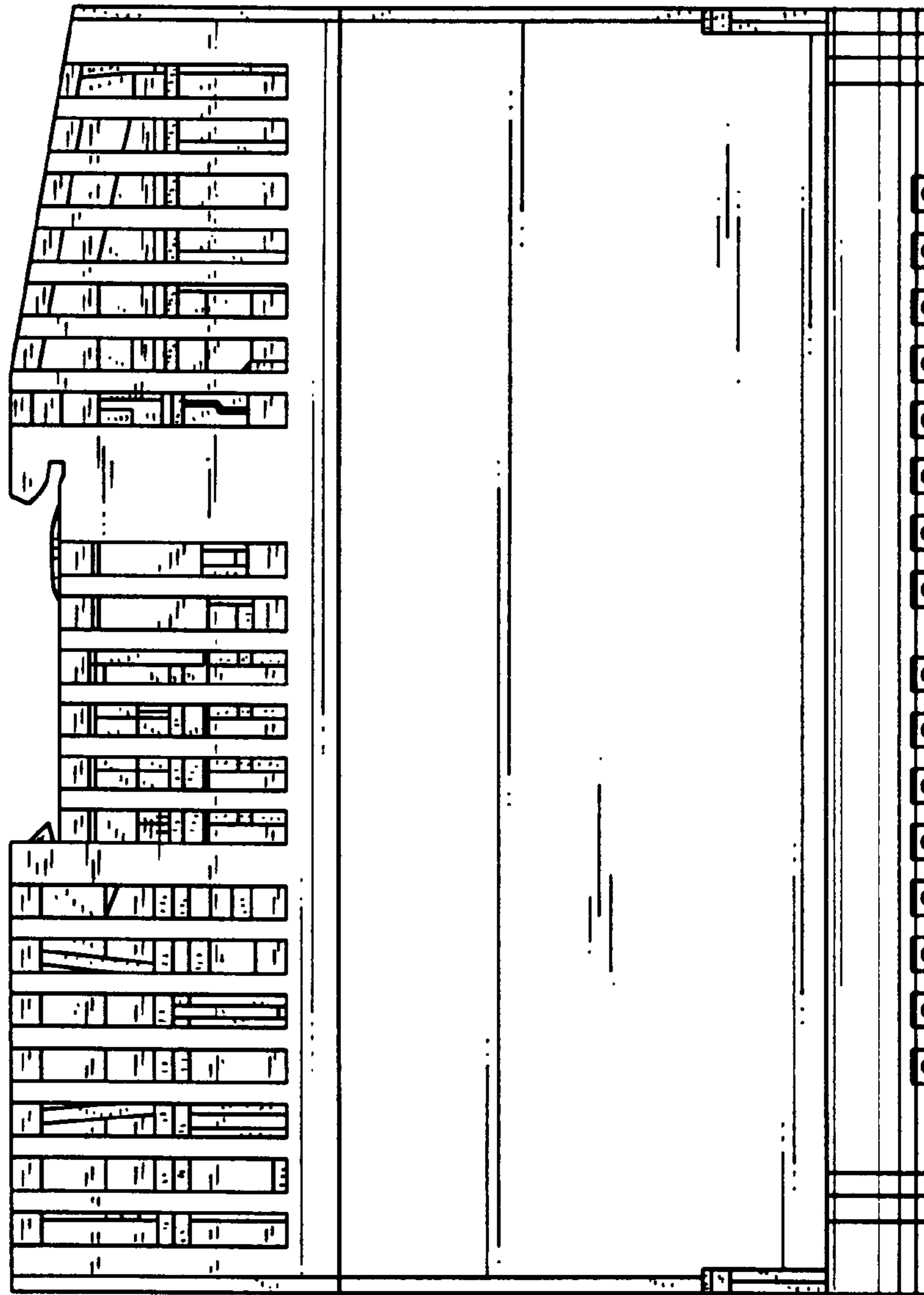


FIG. 4

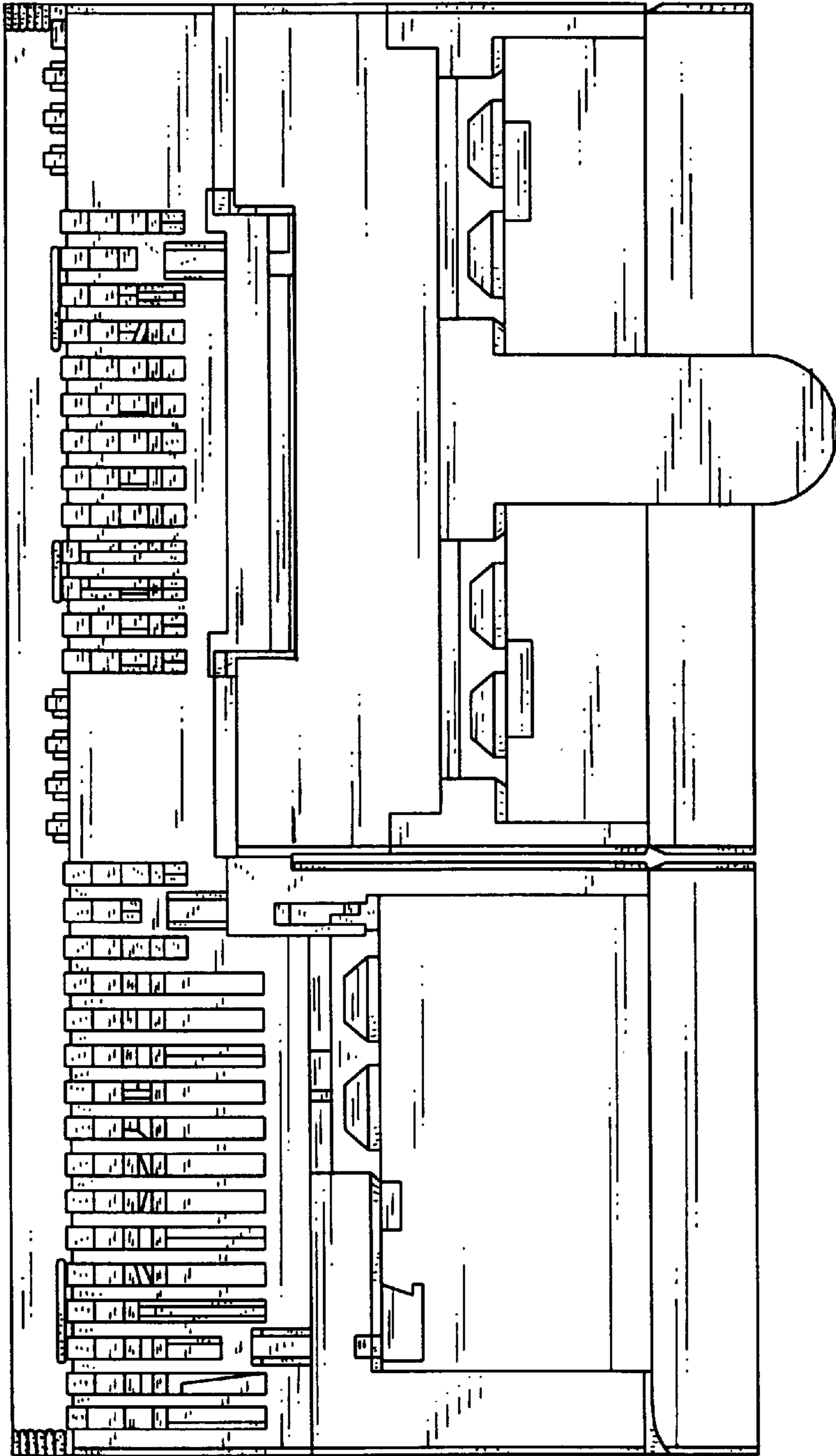


FIG. 5

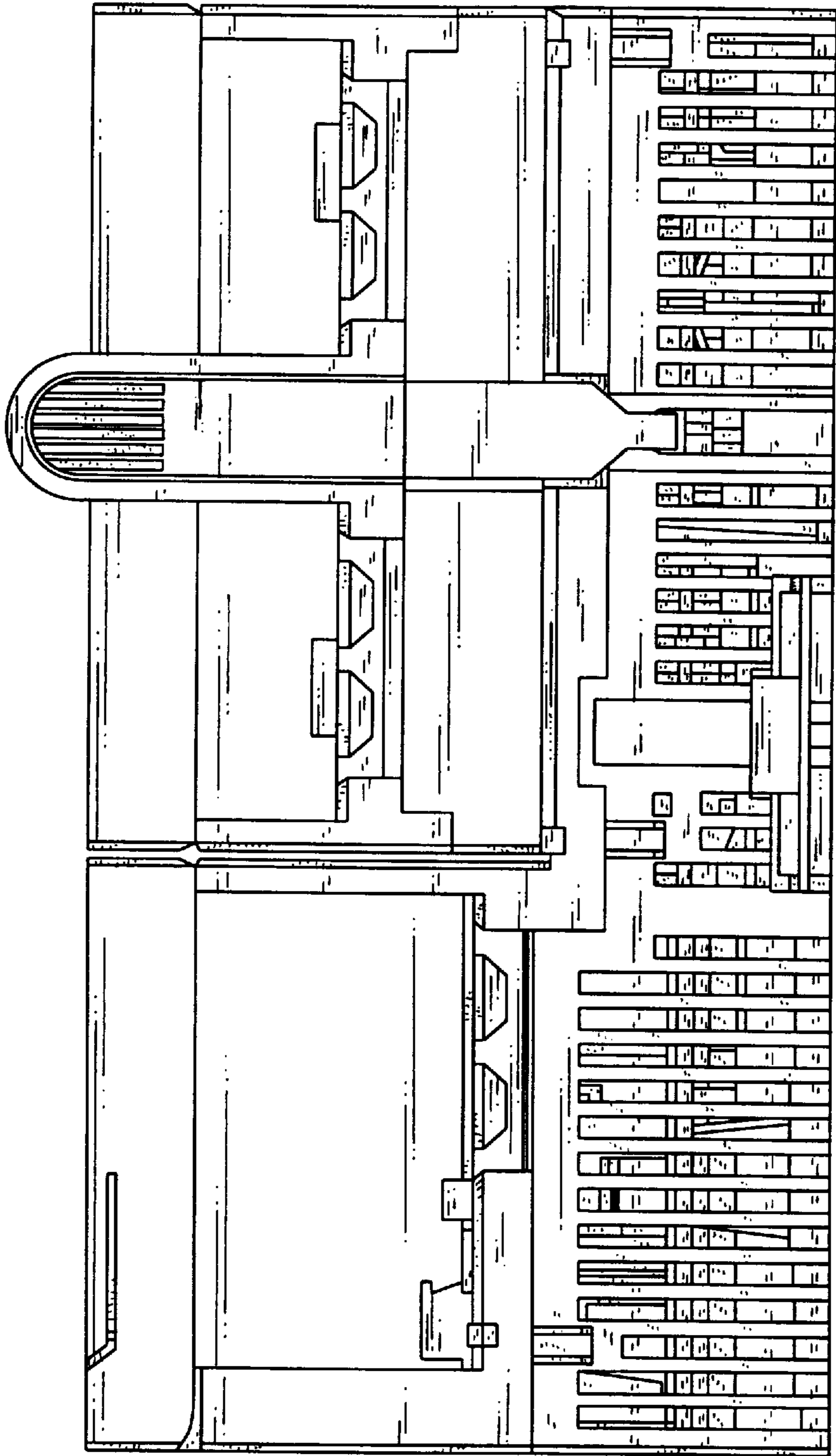


FIG. 6

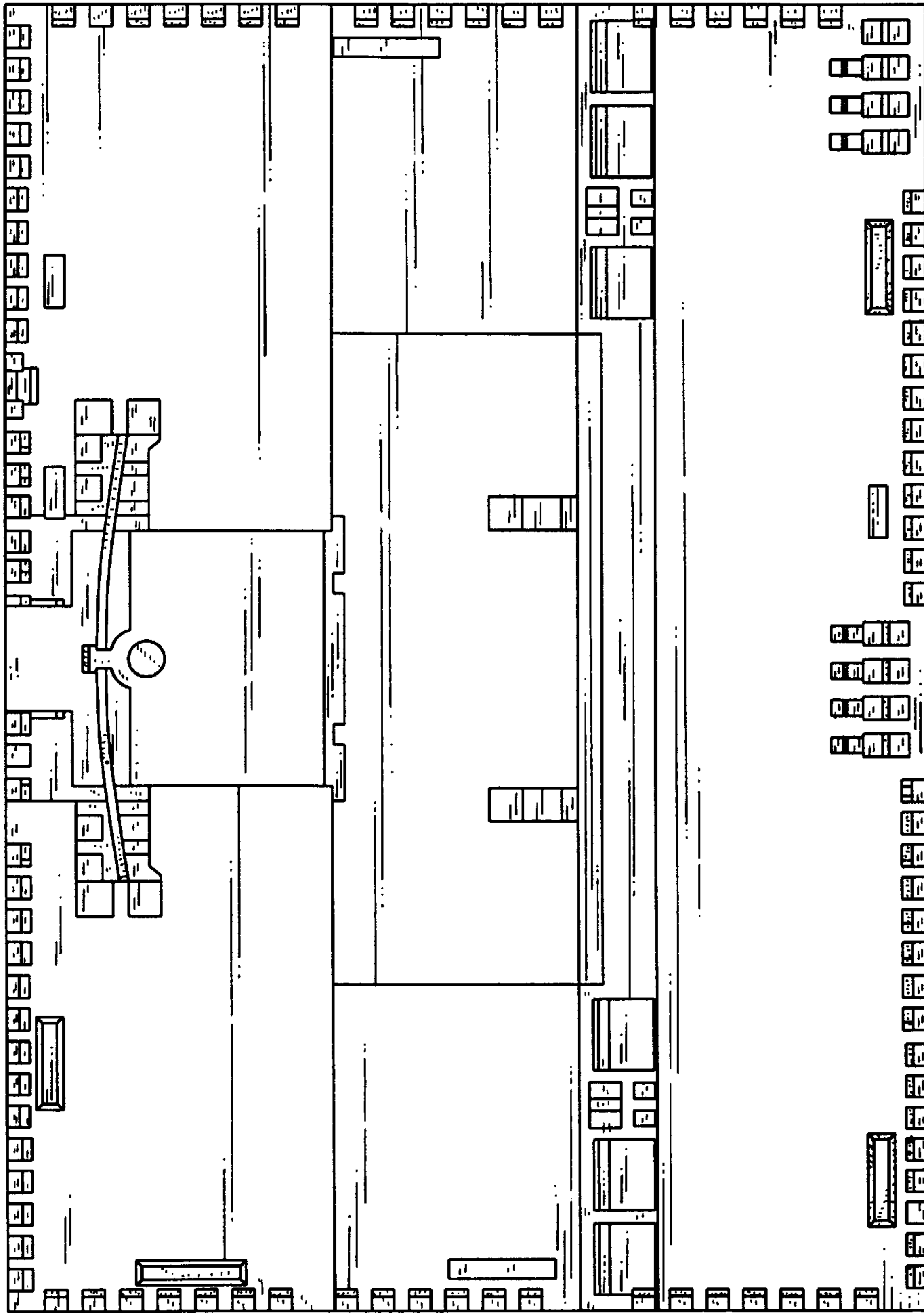
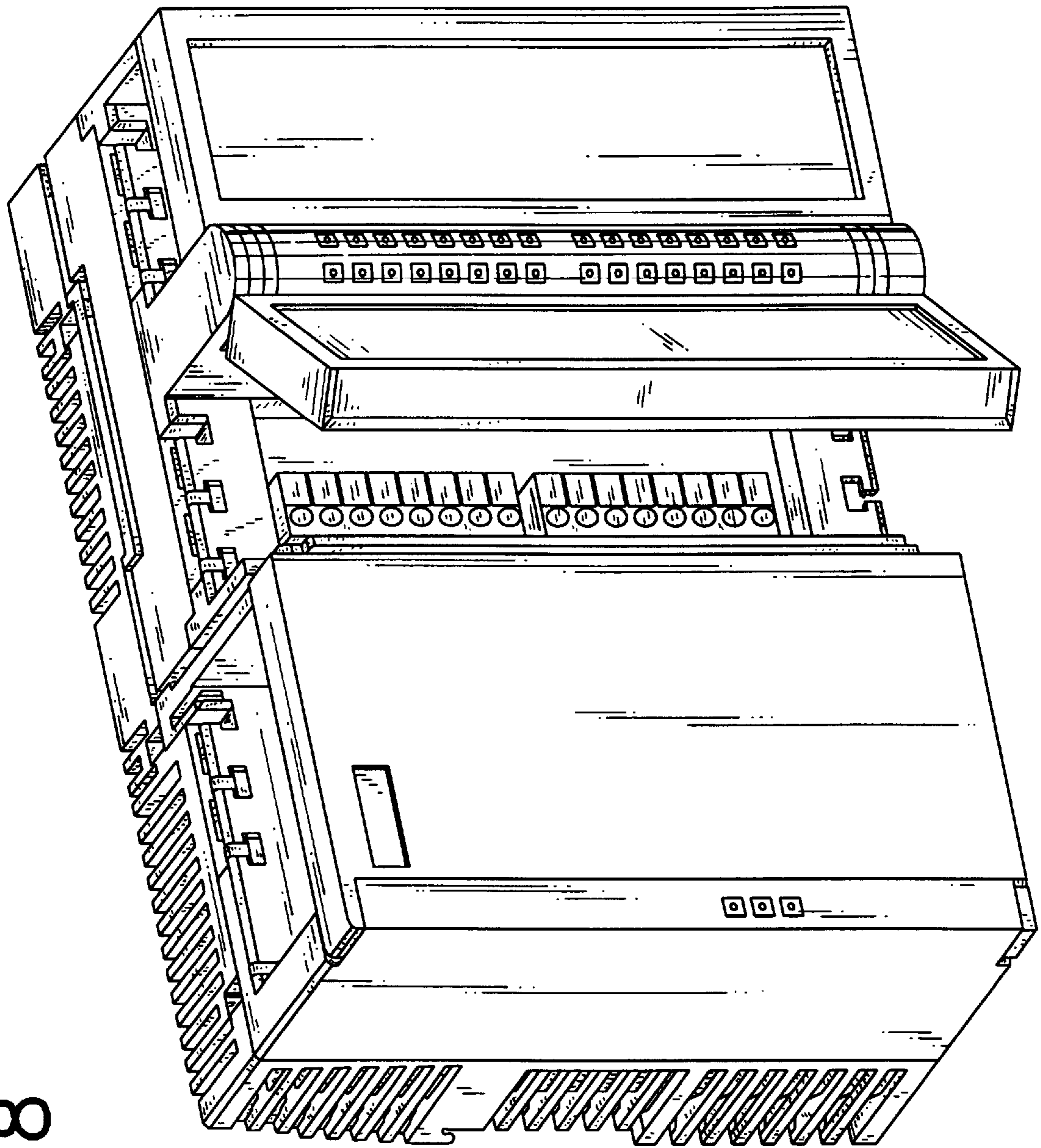


FIG. 7

FIG. 8



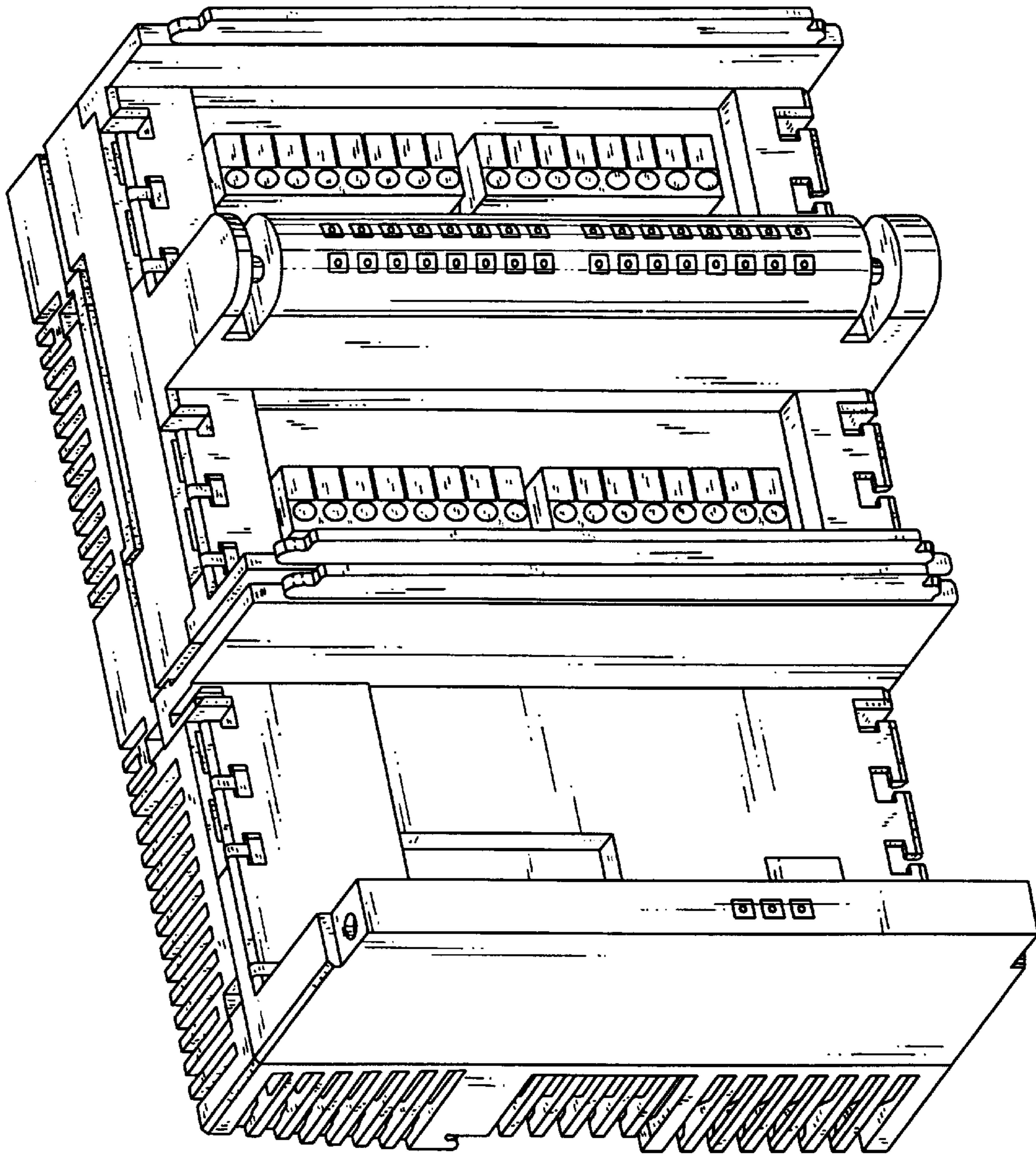


FIG. 9

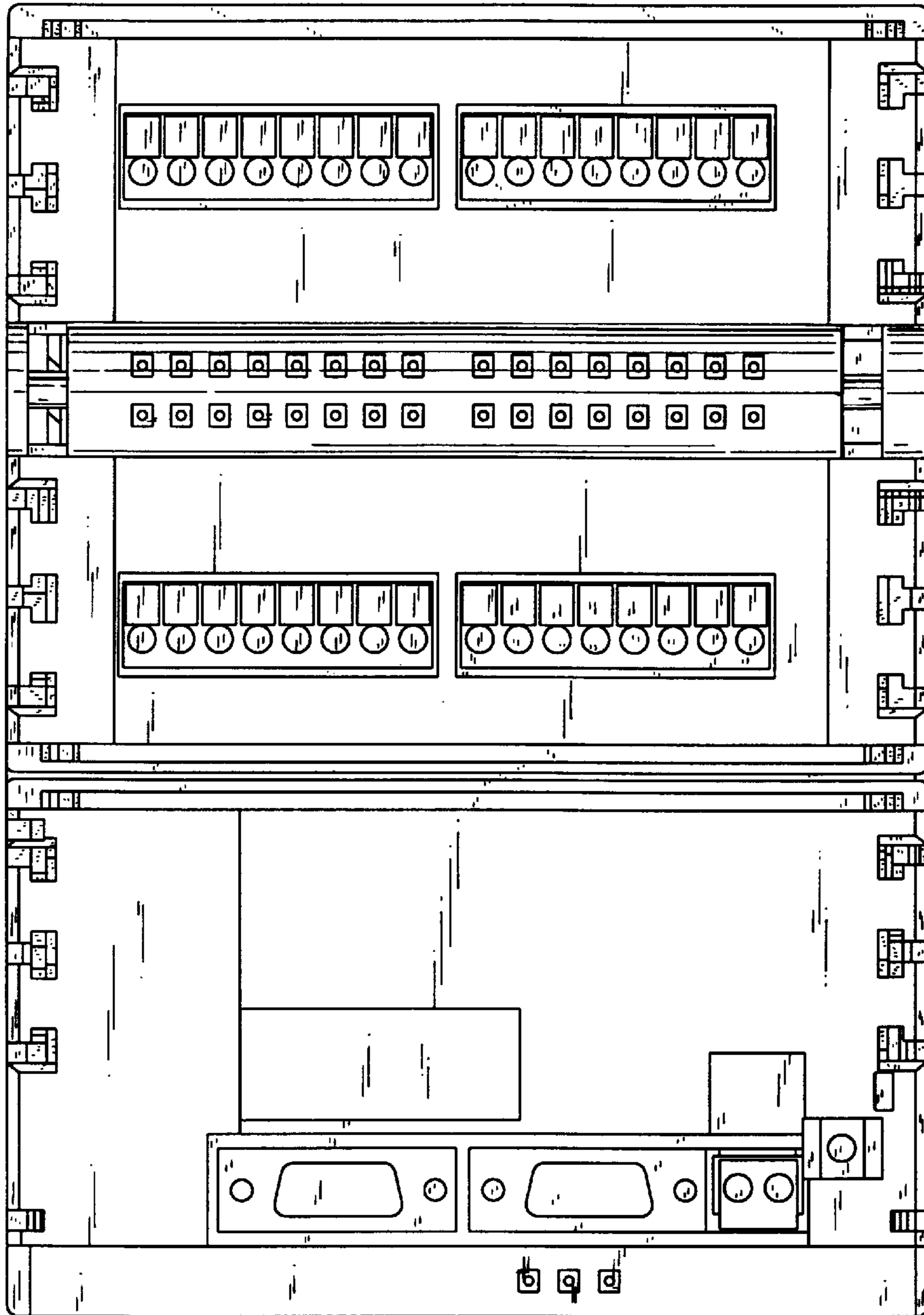


FIG. 10