



US00D413296S

United States Patent [19]
Hussaini

[11] **Patent Number: Des. 413,296**

[45] **Date of Patent: ** Aug. 31, 1999**

[54] **MUFFLER ACCESSORY**

[75] Inventor: **Saied Hussaini**, Miami, Fla.

[73] Assignee: **Rally Manufacturing, Inc.**, Miami, Fla.

[**] Term: **14 Years**

[21] Appl. No.: **29/085,858**

[22] Filed: **Mar. 31, 1998**

[51] **LOC (6) Cl.** **12-16**

[52] **U.S. Cl.** **D12/194**

[58] **Field of Search** D12/194, 400;
181/227-228, 232; 285/49, 232-235, 405,
414

[56] **References Cited**

U.S. PATENT DOCUMENTS

D. 220,165	3/1971	Trainor	D12/194
D. 254,904	5/1980	Swearingen	D12/194
D. 374,647	10/1996	Capra	D12/194
D. 384,319	9/1997	Harutiunian	D12/194
D. 397,661	9/1998	Harutiunian	D12/194

Primary Examiner—Doris V. Coles
Assistant Examiner—Stacia Sinuik
Attorney, Agent, or Firm—Liniak, Berenato, Longacre & White

[57] **CLAIM**

The ornamental design for a muffler accessory, as shown and described.

DESCRIPTION

FIG. 1 is a front view of a muffler accessory showing my new design;
FIG. 2 is a rear view of the muffler accessory shown in FIG. 1;
FIG. 3 is a left side view of the muffler accessory shown in FIG. 1;
FIG. 4 is a right side view of the muffler accessory shown in FIG. 1;
FIG. 5 is a top view of the muffler accessory shown in FIG. 1;
FIG. 6 is a bottom view of the muffler accessory shown in FIG. 1; and,
FIG. 7 is a top and left side perspective view of the muffler accessory shown in FIG. 1.

1 Claim, 4 Drawing Sheets

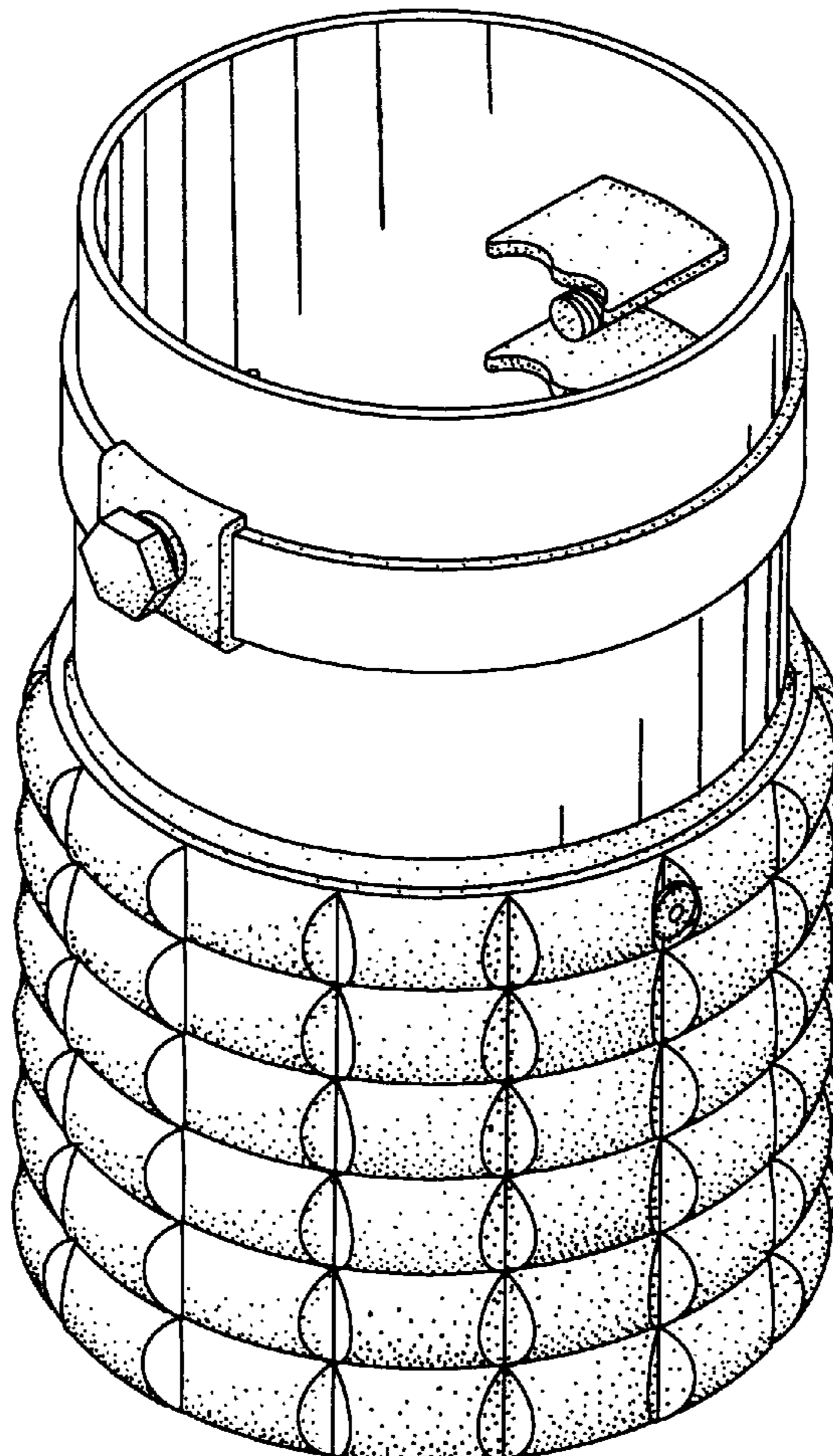


FIG. 1

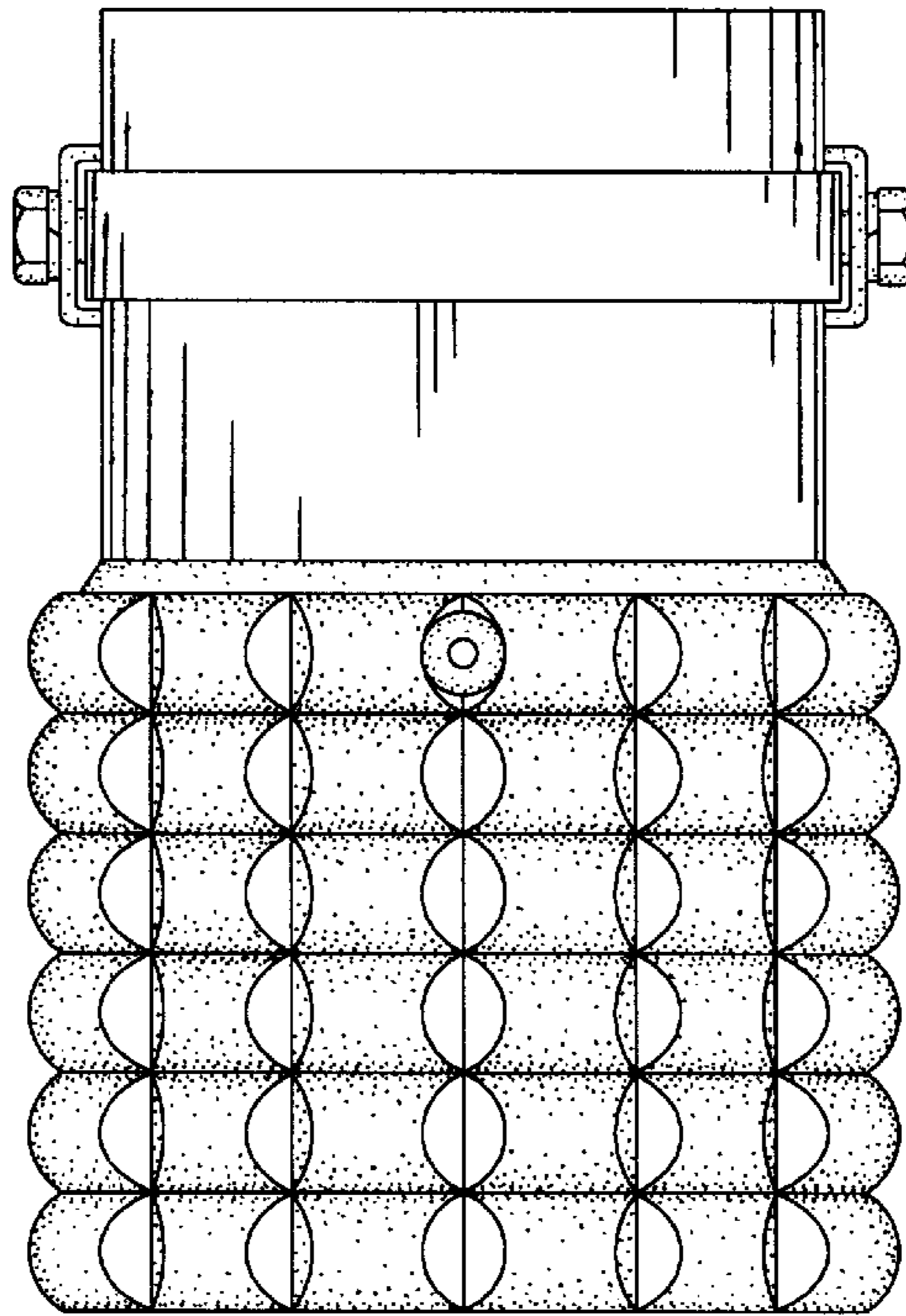


FIG. 2

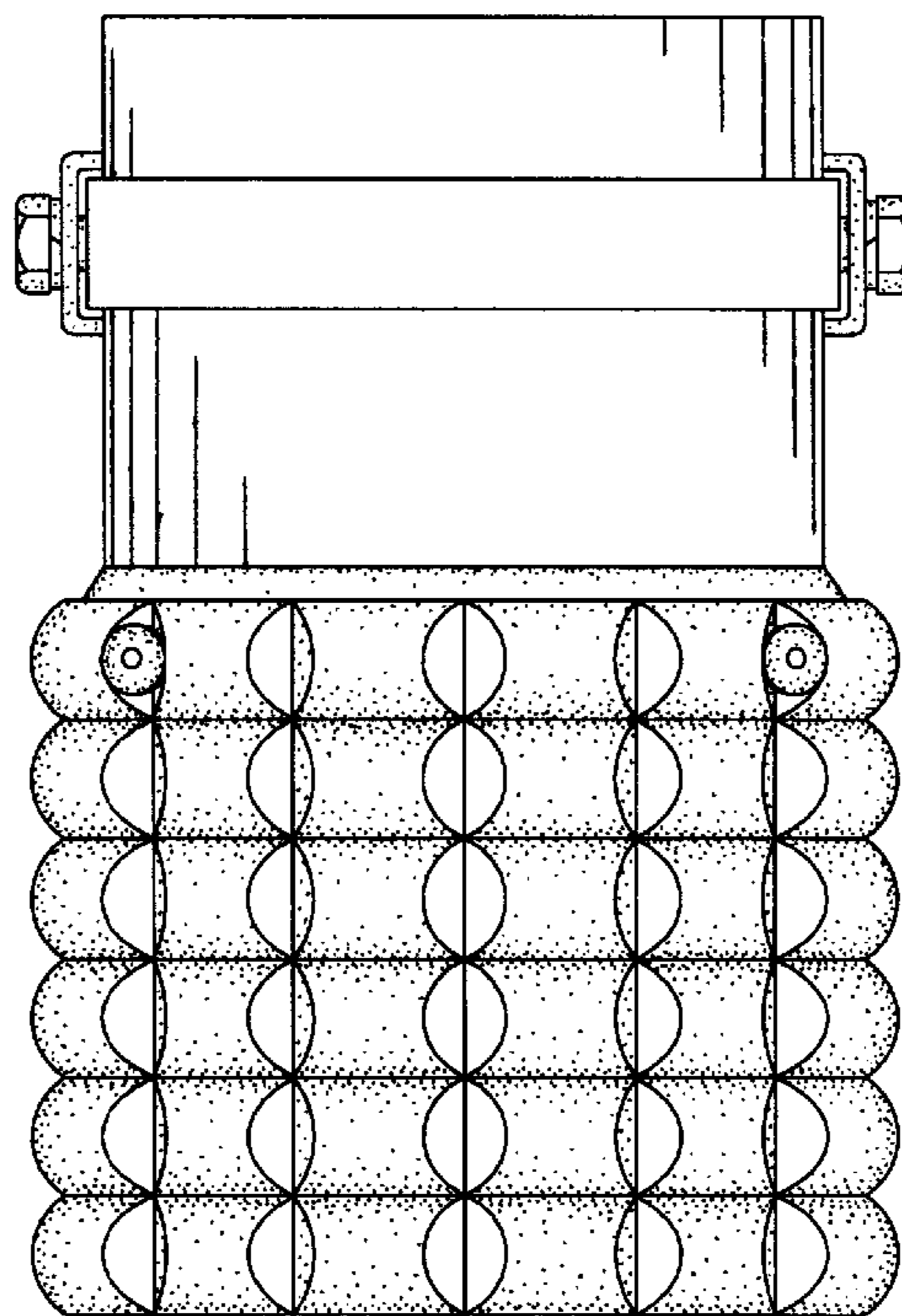


FIG. 3.

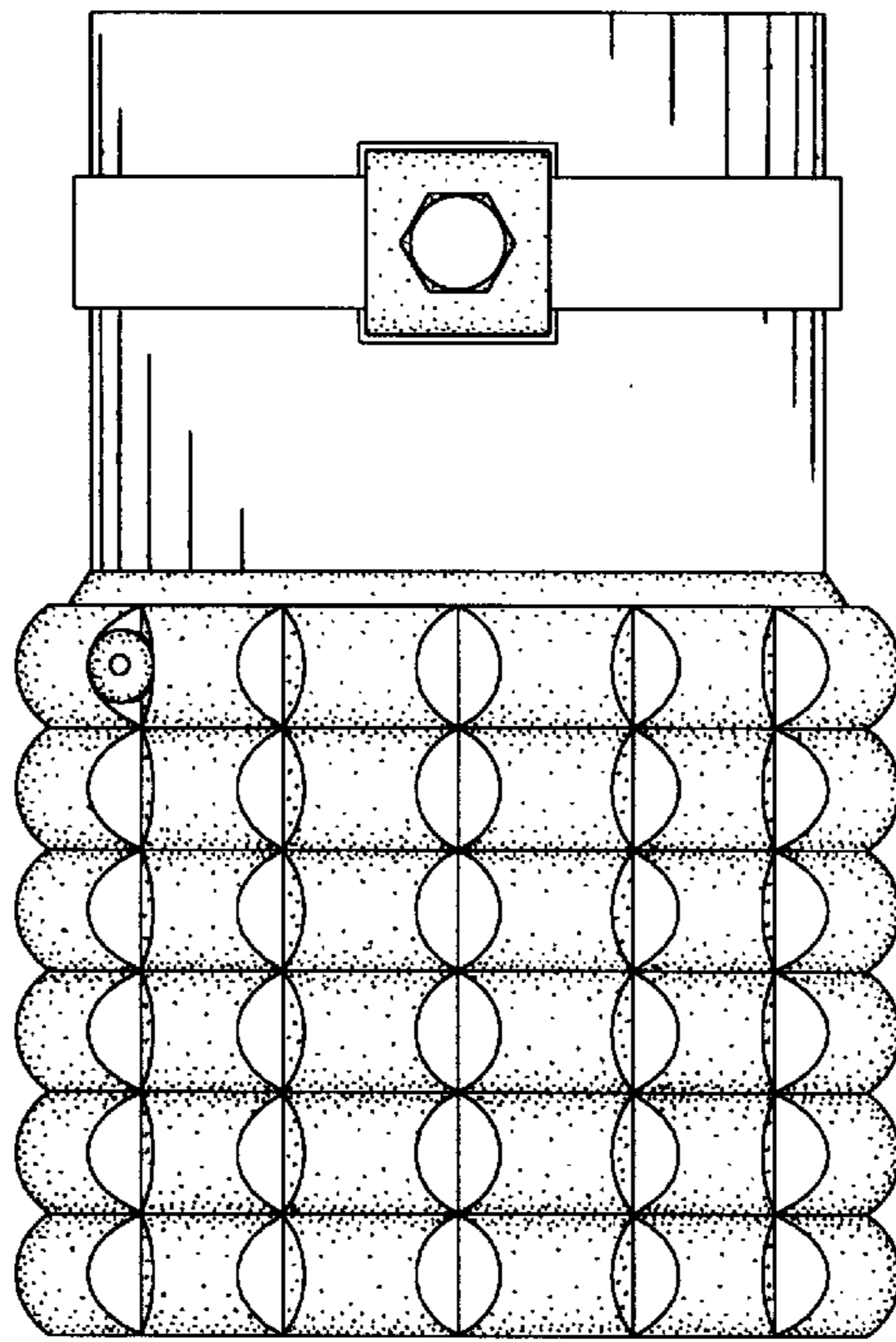


FIG. 4

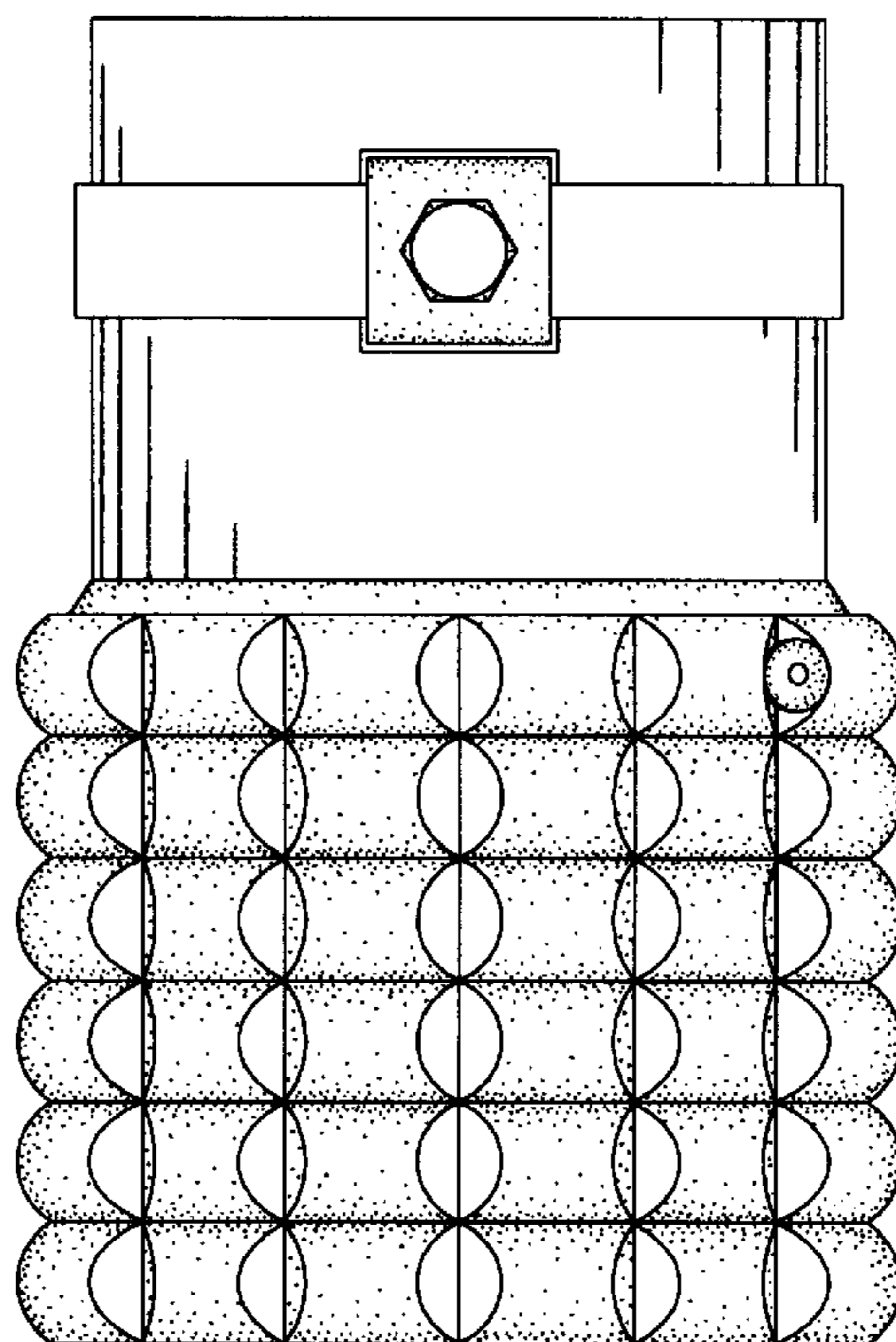


FIG. 5

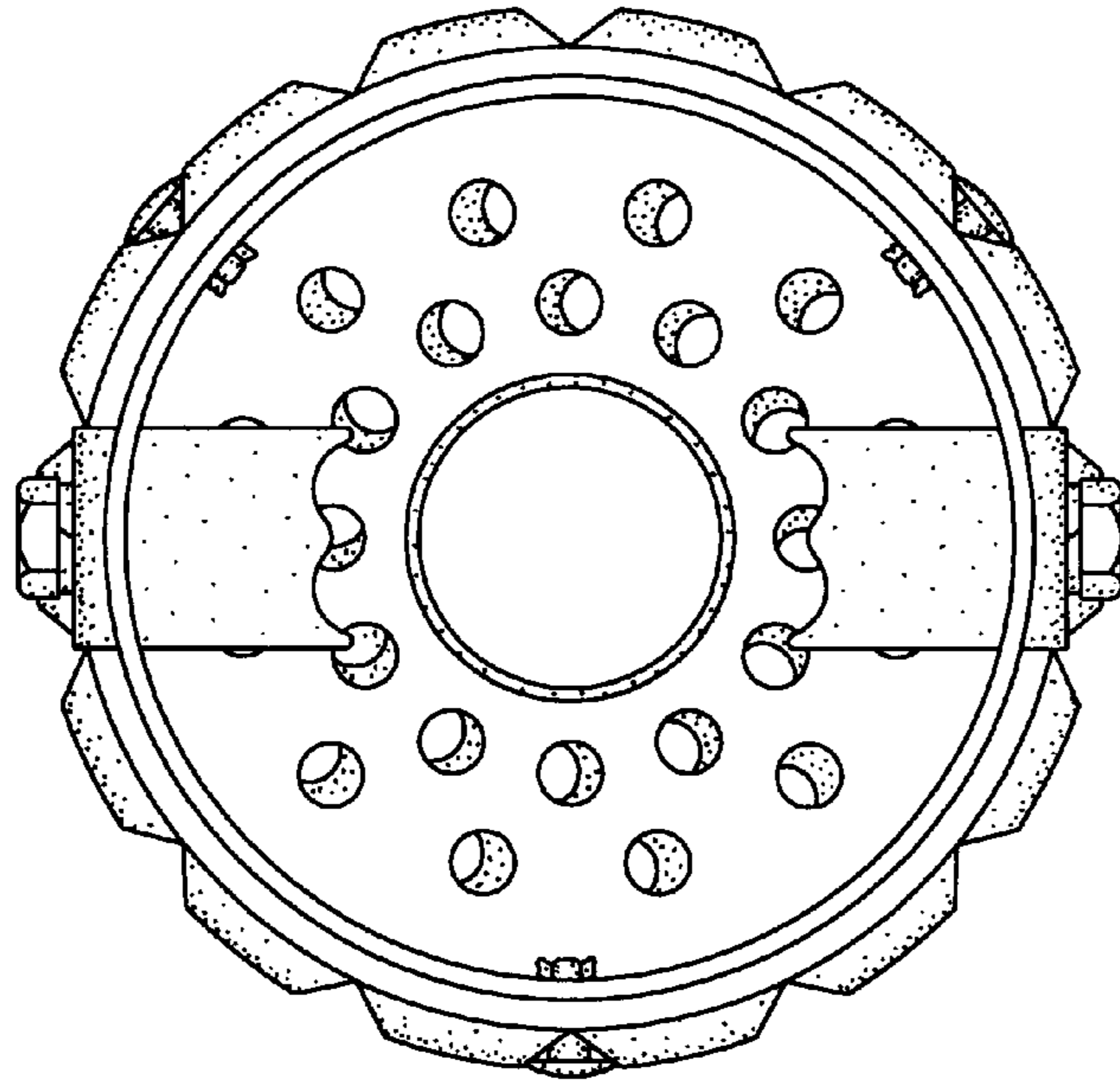


FIG. 6

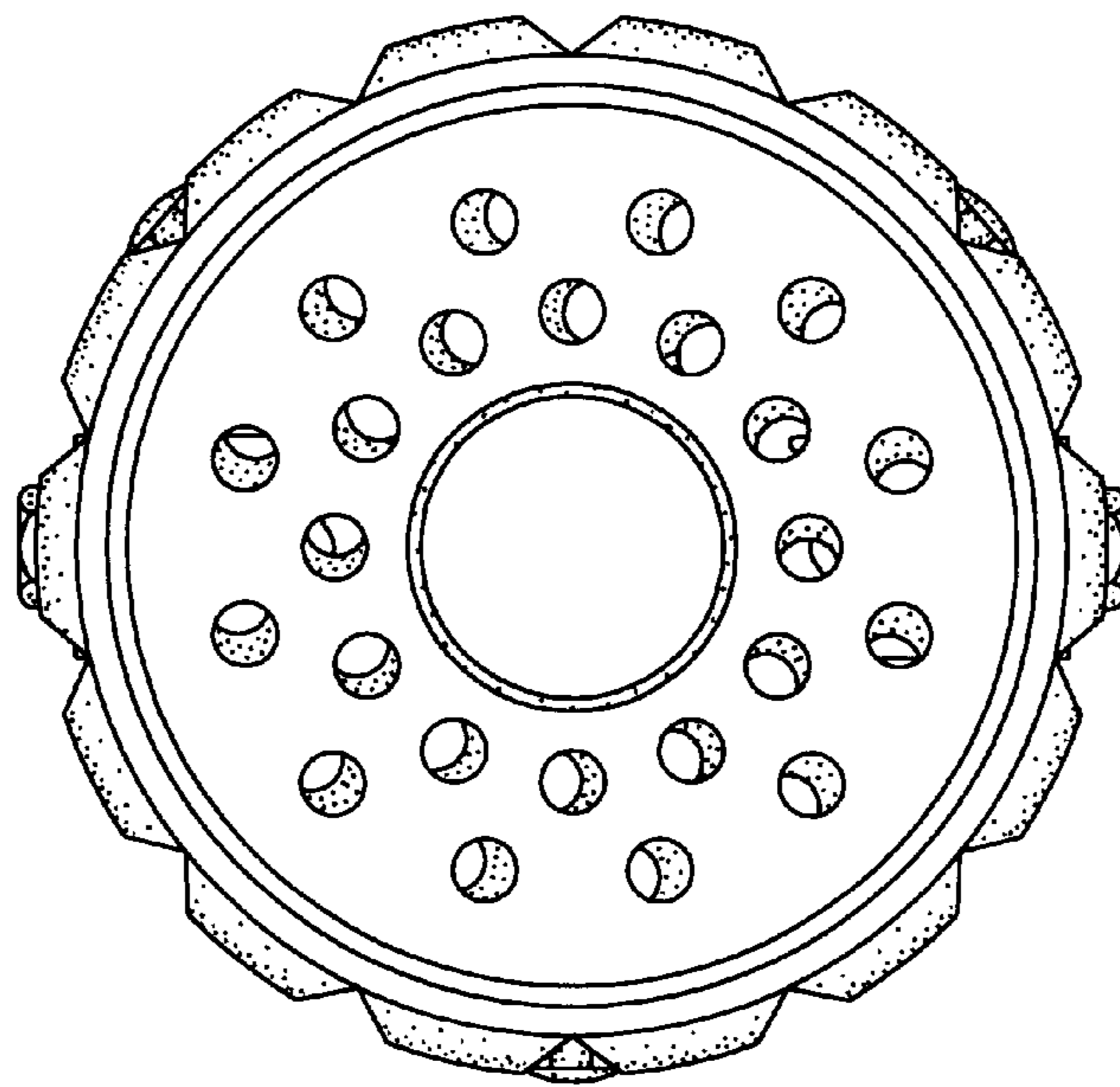


FIG. 7

