



US00D413293S

United States Patent [19]

Haas et al.

[11] Patent Number: **Des. 413,293**

[45] Date of Patent: **** Aug. 31, 1999**

[54] **VISOR MIRROR**

[75] Inventors: **Charles A. Haas**, Des Moines; **Jerome Hartmann**, Carlisle; **Thomas R. Steinhagen**, West Des Moines, all of Iowa

[73] Assignee: **Cobbs Manufacturing Company**, Des Moines, Iowa

[**] Term: **14 Years**

[21] Appl. No.: **29/072,895**

[22] Filed: **Apr. 22, 1997**

[51] **LOC (6) Cl.** **12-16**

[52] **U.S. Cl.** **D12/191**

[58] **Field of Search** D12/190, 191, D12/400; D6/300, 301, 302, 303, 308; 180/68.6; 224/312; 296/95.1, 97.1, 97.7

[56] **References Cited**

U.S. PATENT DOCUMENTS

| | | | |
|------------|---------|------------------------|---------|
| D. 168,707 | 1/1953 | Pavenick . | |
| D. 265,083 | 6/1982 | Divoky | D12/191 |
| D. 286,036 | 10/1986 | Langensiepen | D12/187 |
| D. 303,179 | 9/1989 | Evenson | D6/301 |
| D. 315,541 | 3/1991 | Rebeck | D12/191 |
| D. 325,554 | 4/1992 | Min-Jenn | D12/191 |
| D. 329,949 | 10/1992 | White | D6/300 |
| D. 343,865 | 2/1994 | Pohl | D12/191 |
| D. 354,472 | 1/1995 | Tong | D12/191 |
| D. 372,591 | 8/1996 | Brunner et al. | D6/300 |
| D. 378,206 | 2/1997 | Kulla | D12/191 |
| D. 392,235 | 3/1998 | Steinhagen et al. | D12/191 |
| D. 398,893 | 9/1998 | Lyons | D12/191 |
| 2,097,419 | 10/1937 | Schmidt . | |
| 2,252,716 | 8/1941 | Levy . | |

| | | | |
|-----------|---------|---------------------|----------|
| 4,103,860 | 8/1978 | Haas et al. | 248/467 |
| 4,179,155 | 12/1979 | Ortiz | 296/97 |
| 4,273,277 | 6/1981 | Stone | 224/312 |
| 4,391,053 | 7/1983 | Anthony | 40/152 |
| 4,624,499 | 11/1986 | Flowerday | 296/97 H |
| 4,710,856 | 12/1987 | Cheung | 362/74 |
| 4,830,424 | 5/1989 | Svensson | 296/97.1 |
| 4,889,380 | 12/1989 | Pillifant, Jr. | 296/97.6 |
| 4,890,875 | 1/1990 | Takahashi | 296/97.1 |
| 4,895,435 | 1/1990 | Shomper | 350/606 |
| 4,909,562 | 3/1990 | Sakuma et al. | 296/97.5 |

Primary Examiner—Robert M. Spear
Attorney, Agent, or Firm—Dick and Harris

[57] **CLAIM**

The ornamental design for a visor mirror, as shown and described.

DESCRIPTION

FIG. 1 is a top left perspective view of a visor mirror, showing our new design;
 FIG. 2 is a left end perspective view thereof, showing the visor clips in an alternate position of use;
 FIG. 3 is a front elevational view thereof;
 FIG. 4 is a rear elevational view thereof;
 FIG. 5 is a top plan view thereof;
 FIG. 6 is a bottom plan view thereof;
 FIG. 7 is a right side elevational view thereof;
 FIG. 8 is a partial left rear view thereof, showing the visor clips in the alternative position of use shown in FIG. 2;
 FIG. 9 is a left side elevational view thereof, showing the visor clips in the alternative position of use shown in FIG. 2; and,
 FIG. 10 is a partial top left plan view thereof, showing the visor clips in the alternative position of use shown in FIG. 2.

1 Claim, 2 Drawing Sheets

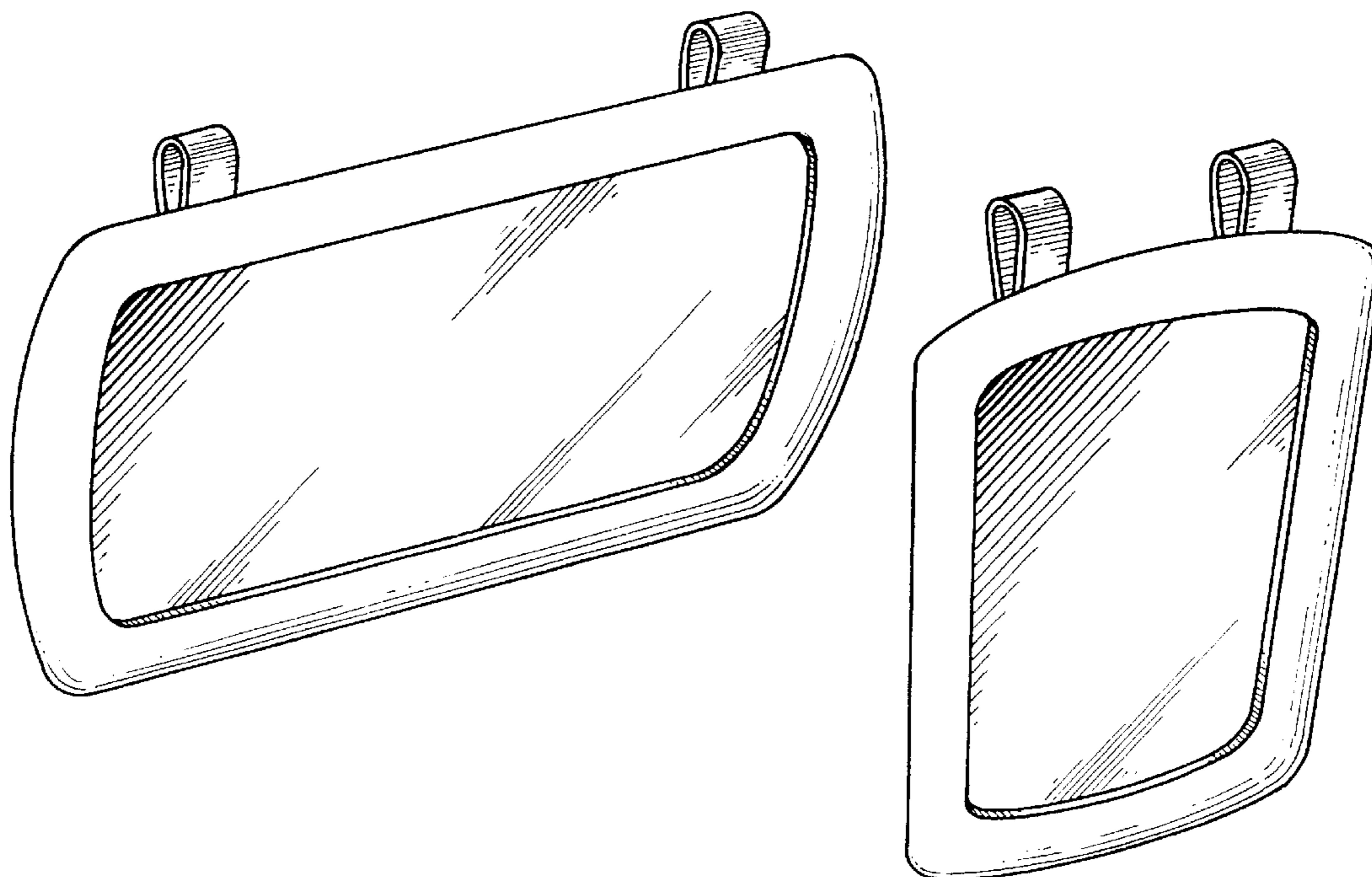


Fig 1

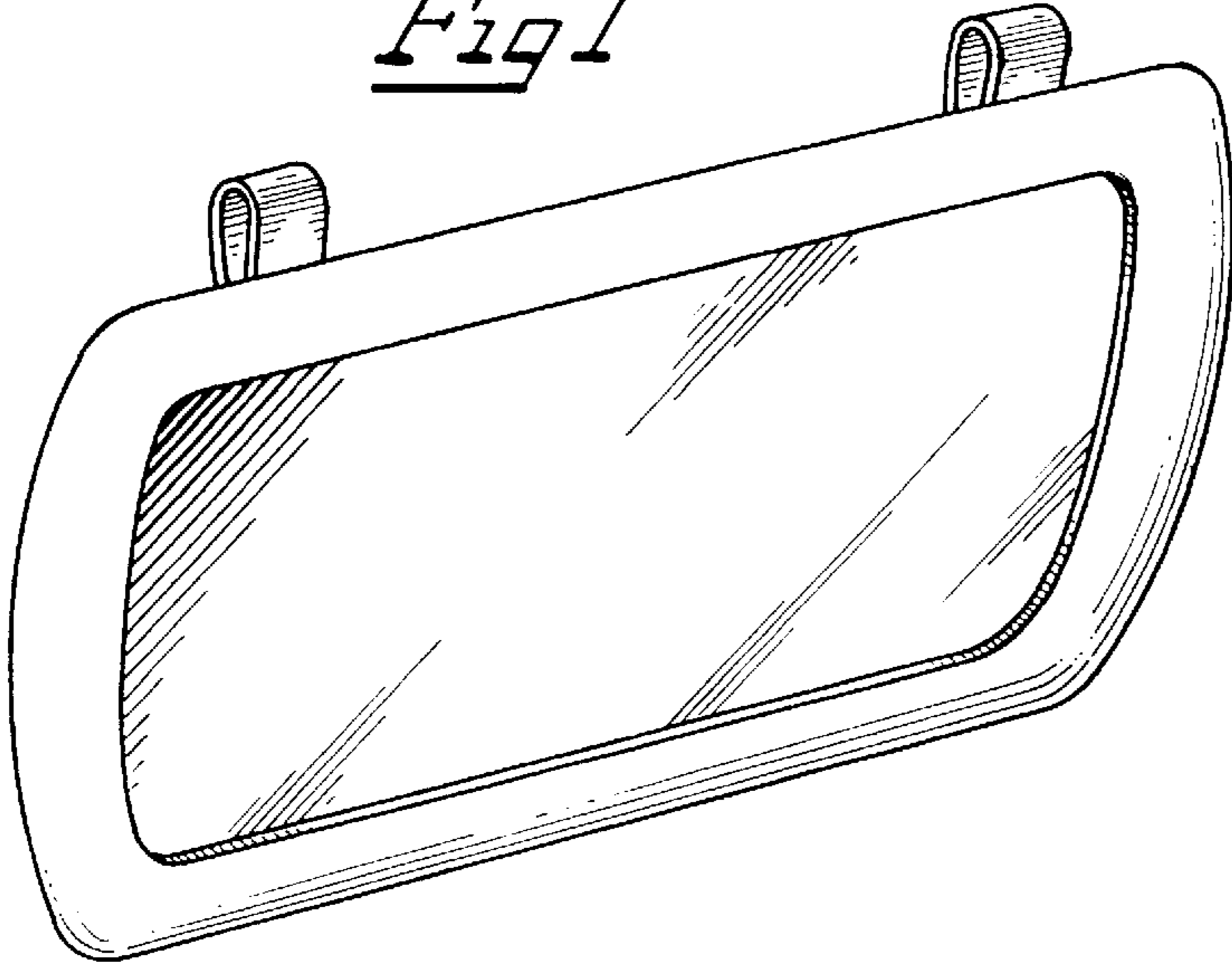


Fig 2

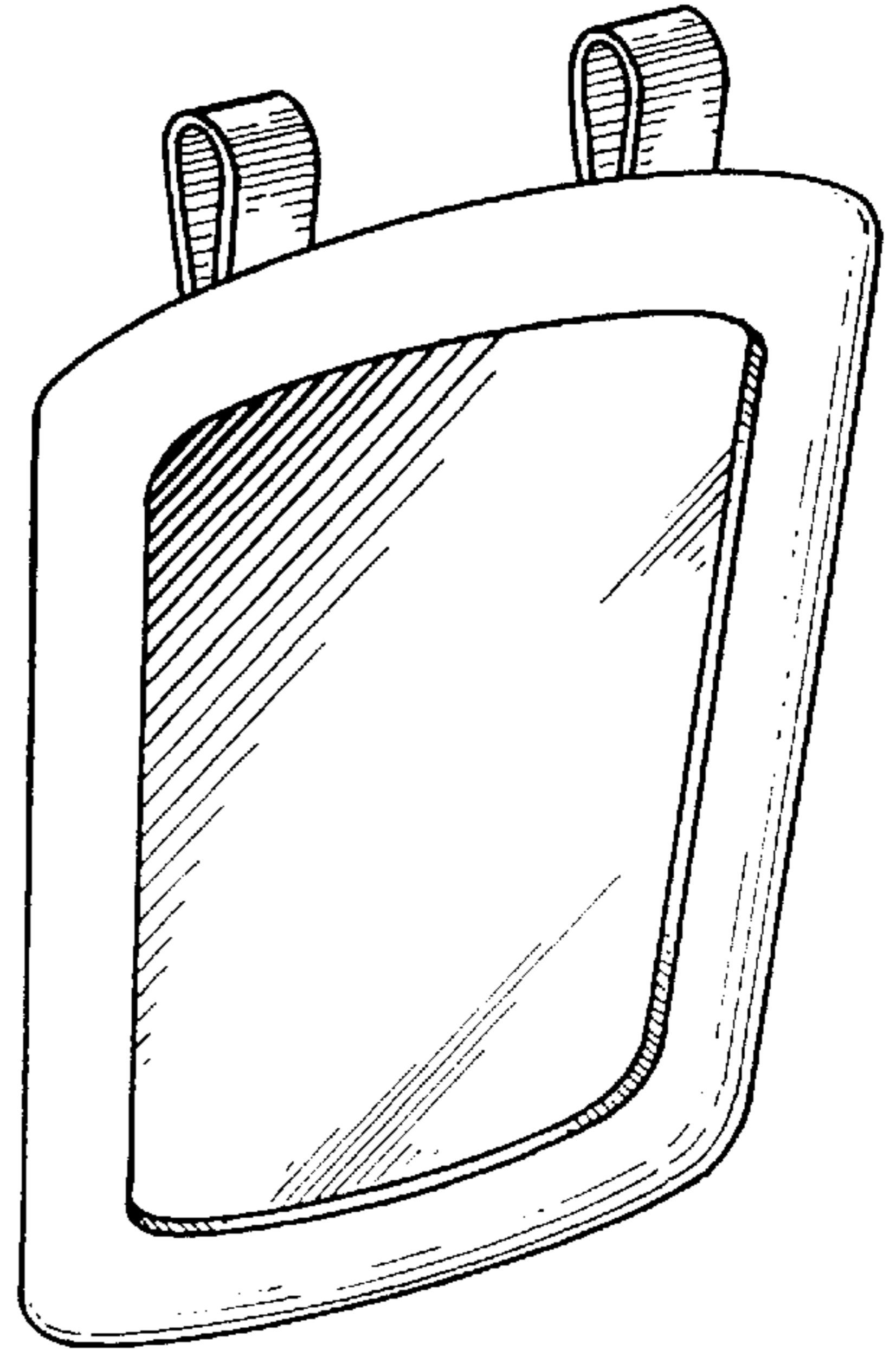


Fig 7

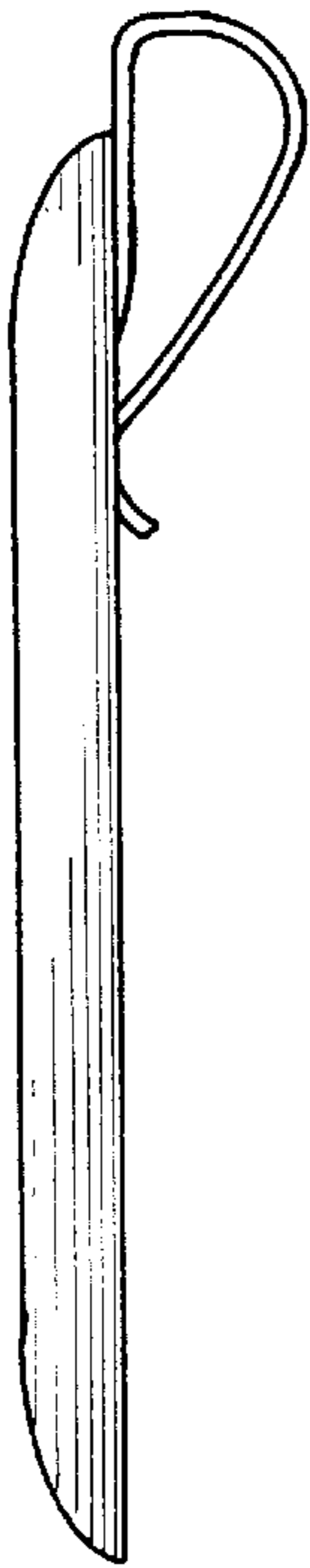


Fig 9

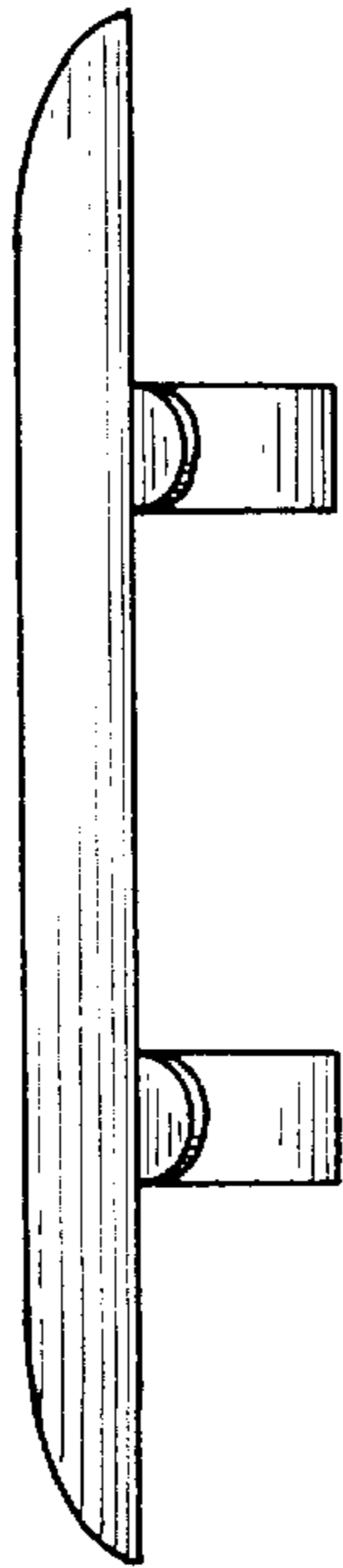


Fig 8

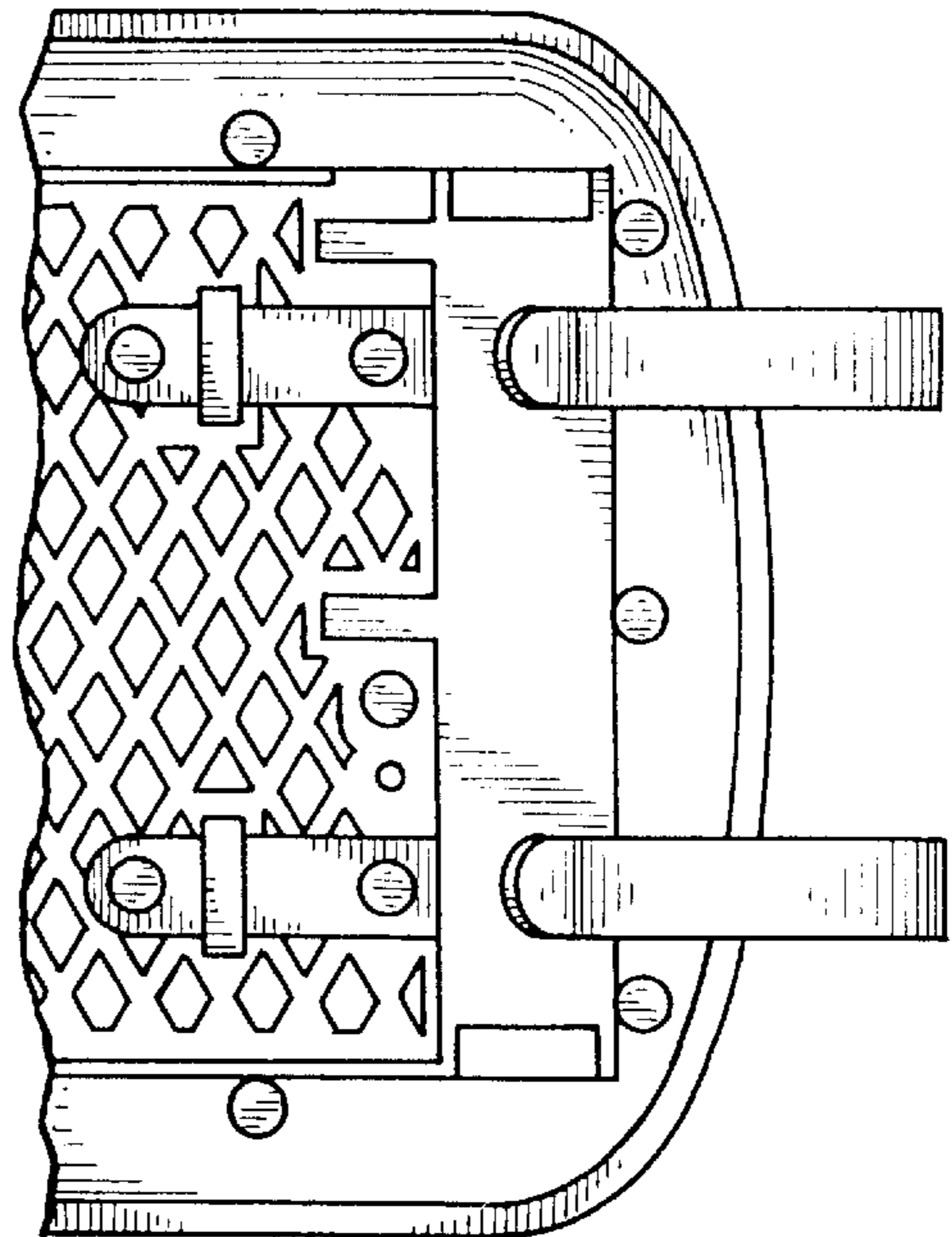


Fig 10

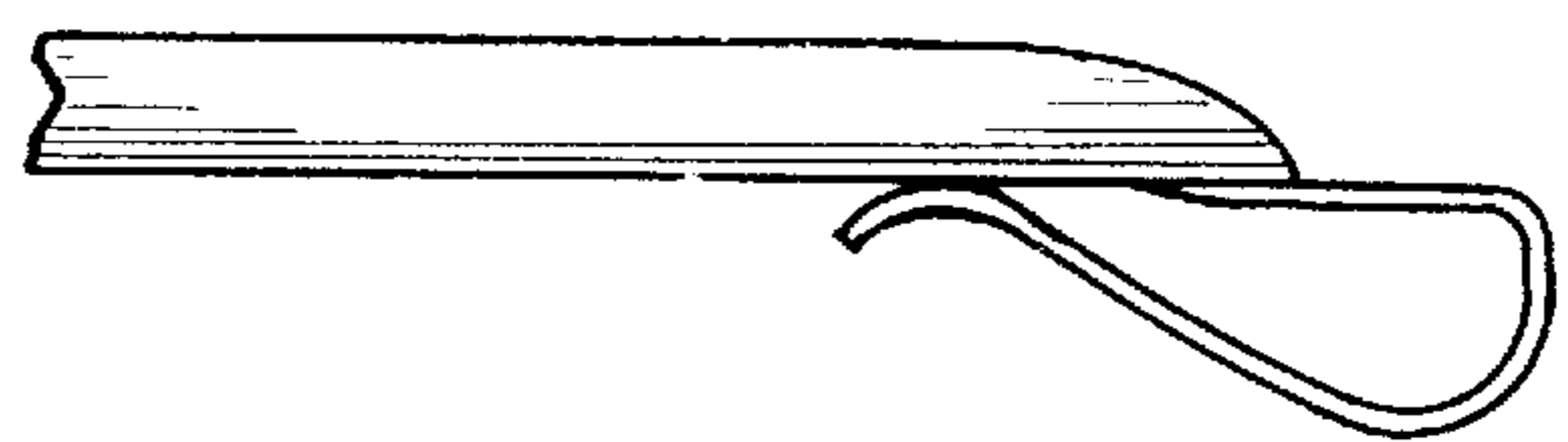


Fig 3

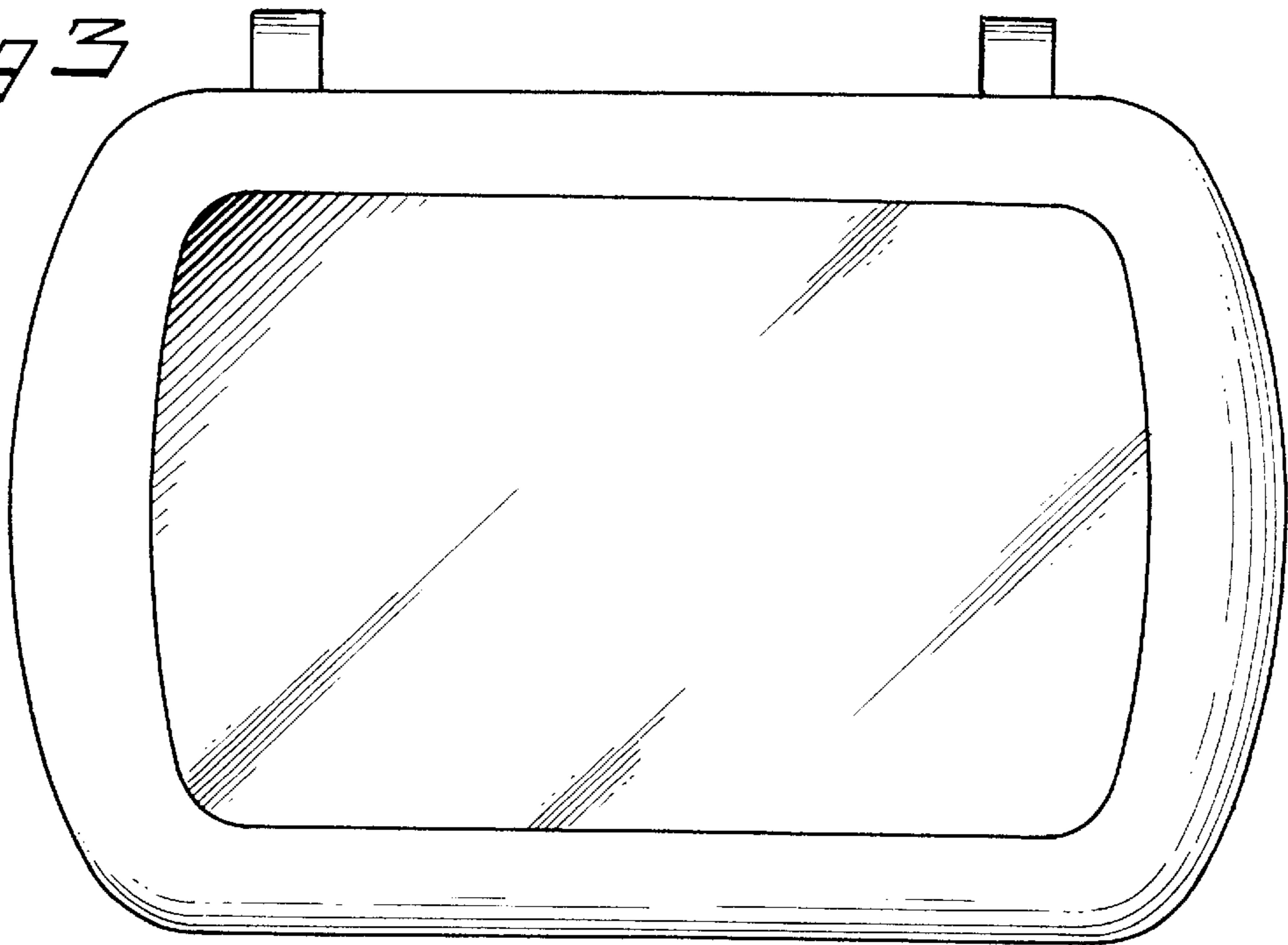


Fig 5

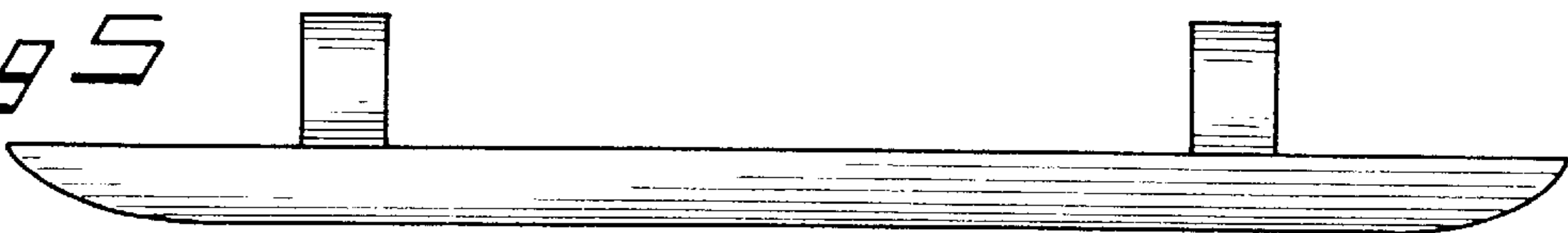


Fig 4

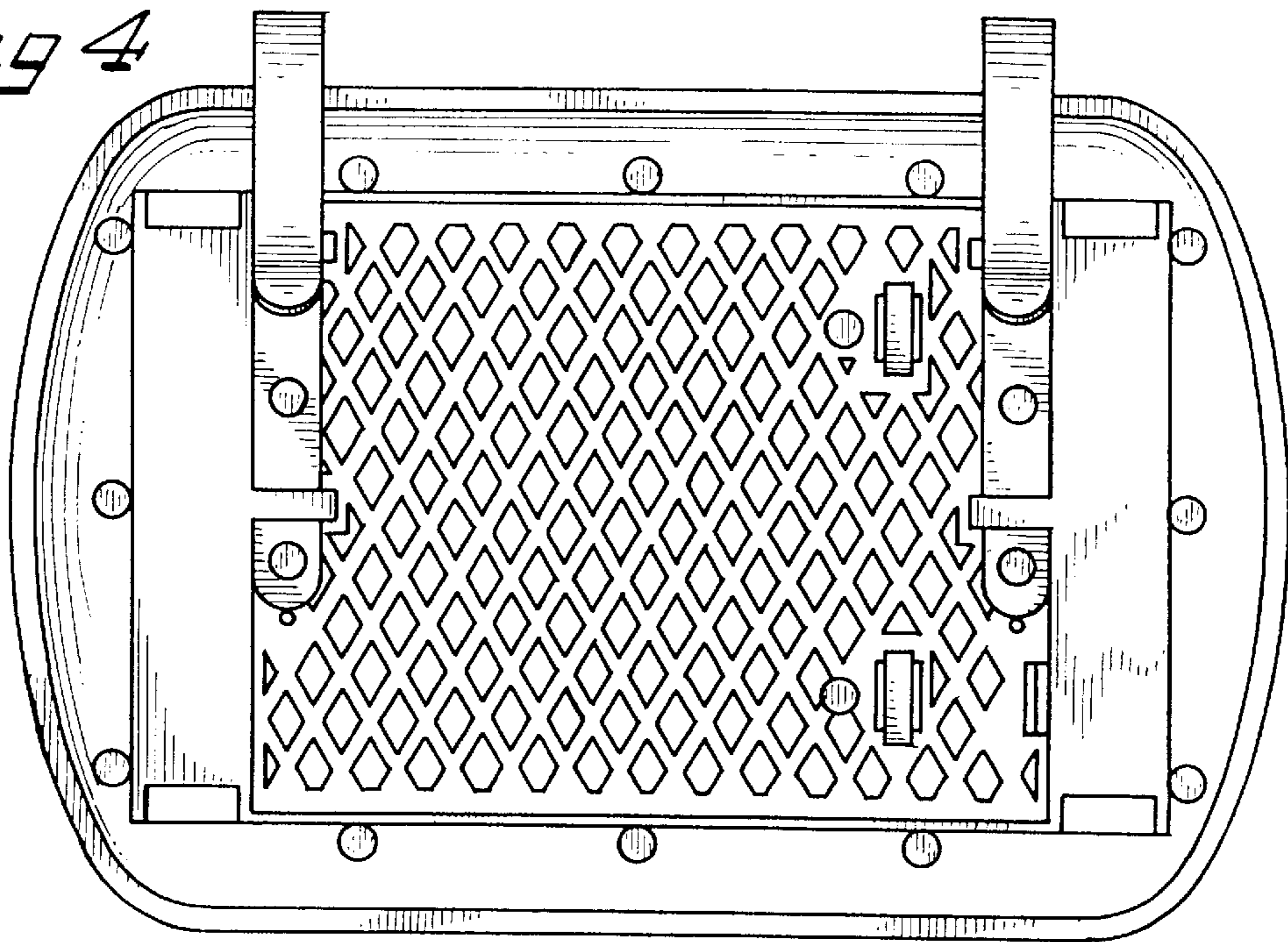


Fig 6

