



US00D413292S

**United States Patent** [19]  
**Jones**

[11] **Patent Number: Des. 413,292**

[45] **Date of Patent: \*\* Aug. 31, 1999**

[54] **BRAKE CALIPER HOUSING**

[75] Inventor: **James R. Jones**, Town & Country, Mo.

[73] Assignee: **Midwest Motorcycle Supply Distributors Corp.**, Arnold, Mo.

[\*\*] Term: **14 Years**

[21] Appl. No.: **29/098,495**

[22] Filed: **Dec. 31, 1998**

[51] **LOC (6) Cl.** ..... **12-16**

[52] **U.S. Cl.** ..... **D12/180**

[58] **Field of Search** ..... **D12/180; 188/71.1, 188/73.3, 73.45**

[56] **References Cited**

**U.S. PATENT DOCUMENTS**

D. 351,365	10/1994	Powers	.....	D12/180
D. 354,469	1/1995	Powers	.....	D12/180
D. 373,340	9/1996	Sands	.....	D12/180
D. 378,363	3/1997	Sin	.....	D12/180
5,181,588	1/1993	Emmons	.....	188/71.1

*Primary Examiner*—Melody N. Brown

*Attorney, Agent, or Firm*—Howell & Haferkamp, L.C.

[57] **CLAIM**

The ornamental design for a brake caliper housing, as shown and described.

**DESCRIPTION**

FIG. 1 is a perspective view of a brake caliper housing showing my new design;

FIG. 2 is a front elevational view of the brake caliper housing of FIG. 1;

FIG. 3 is a rear elevational view of the brake caliper housing of FIG. 1;

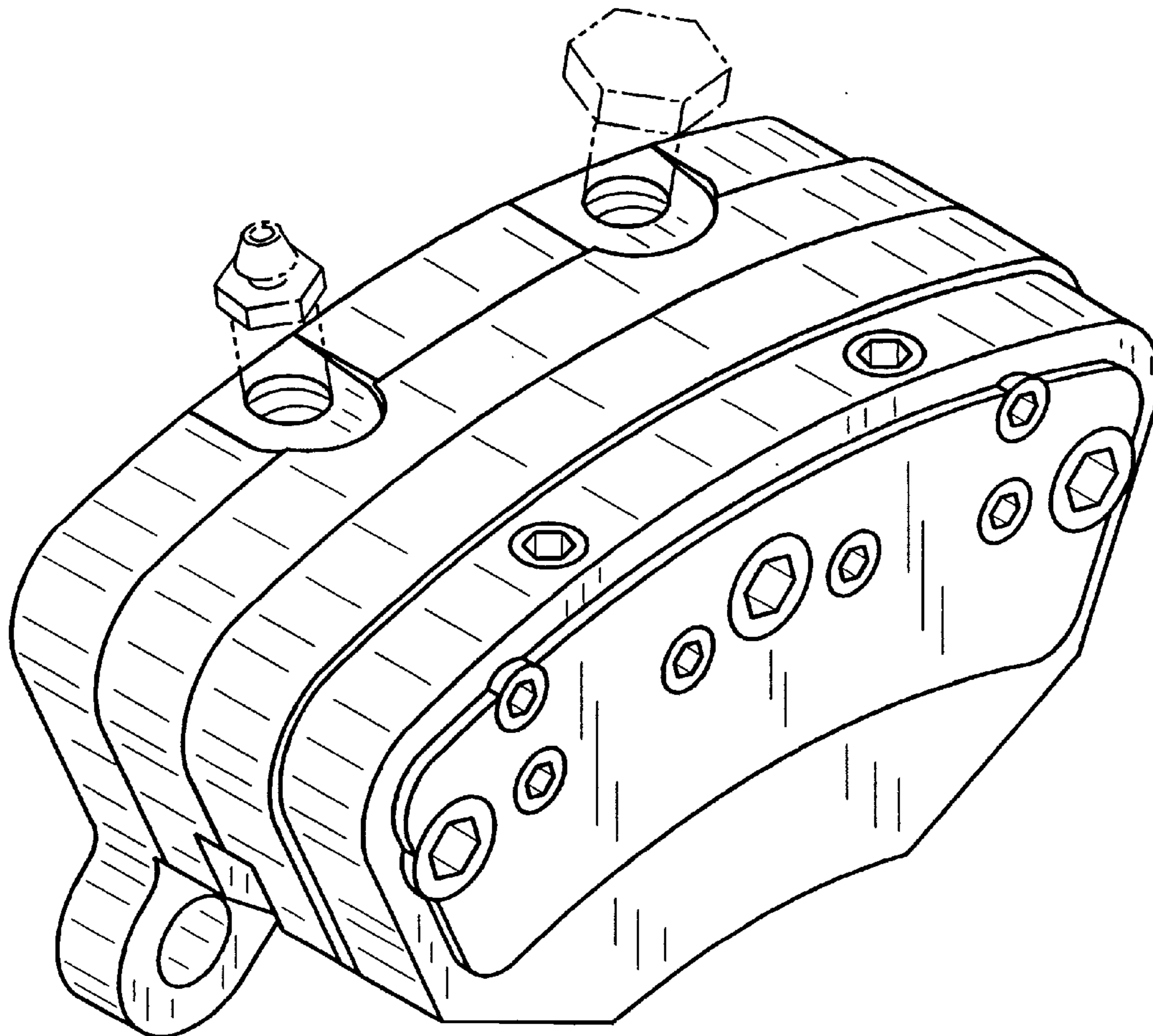
FIG. 4 is a top plan view of the brake caliper housing of FIG. 1;

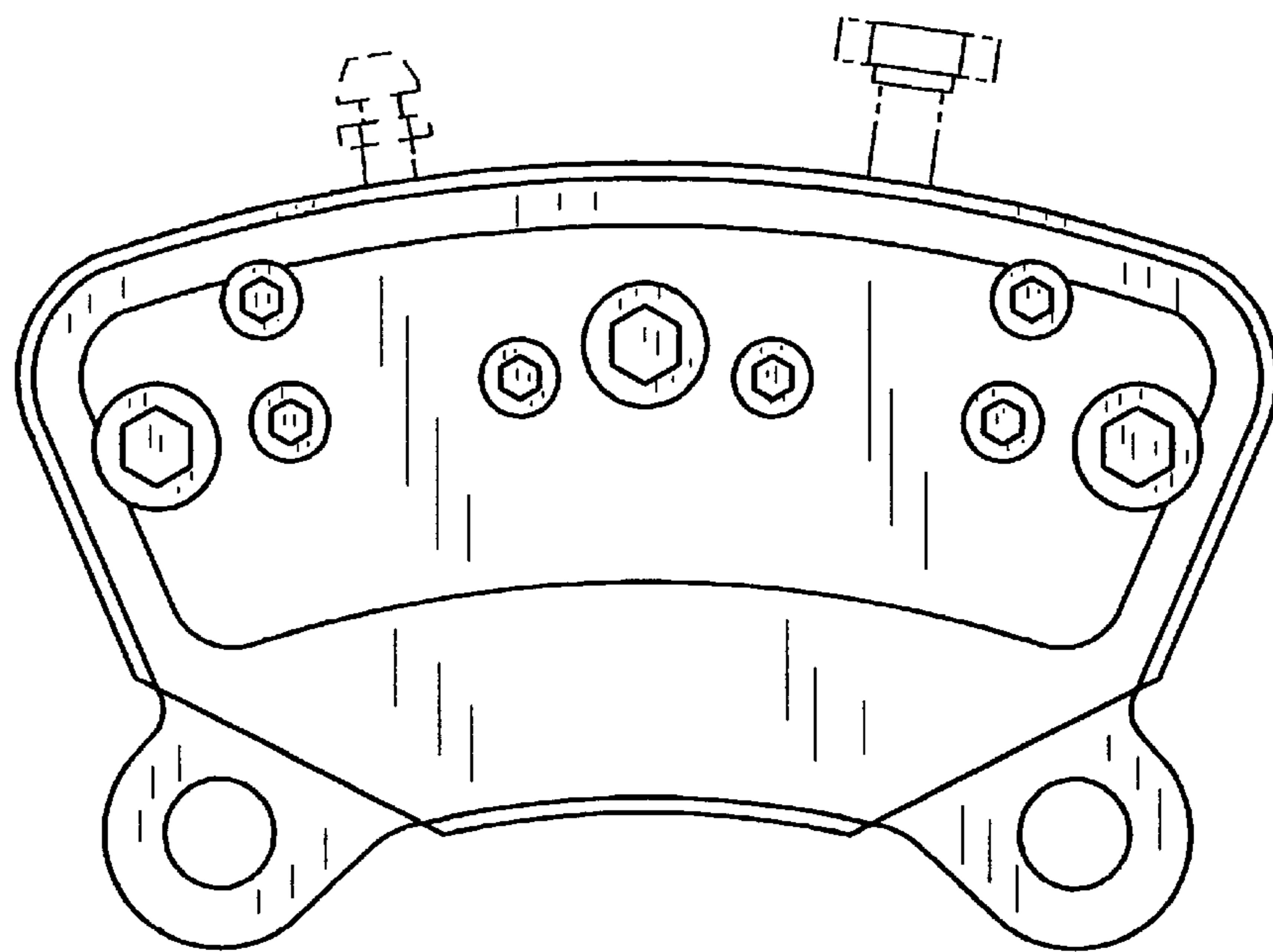
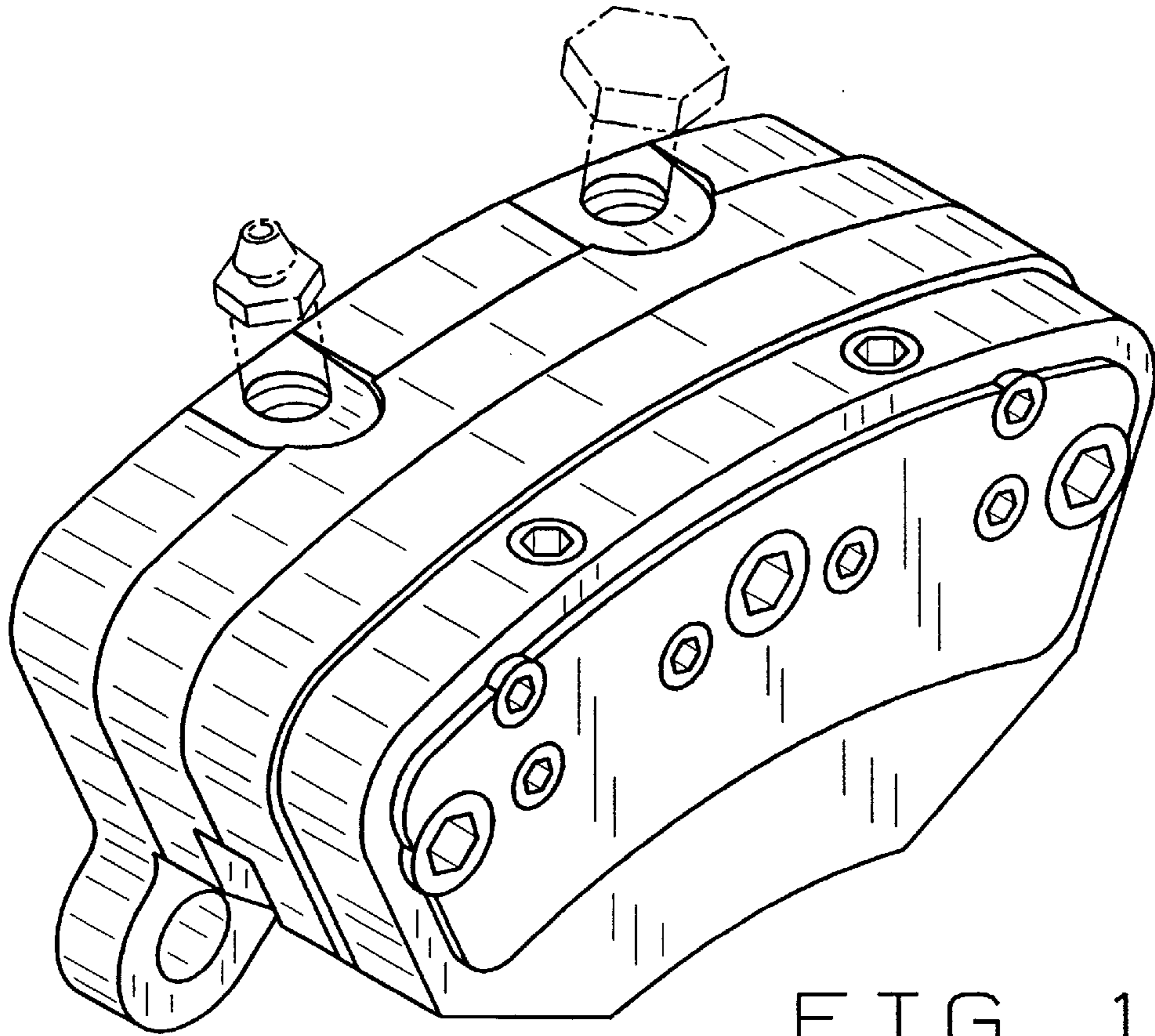
FIG. 5 is a left end elevational view of the brake caliper housing of FIG. 1; and,

FIG. 6 is a right end elevational view of the brake caliper housing of FIG. 1.

The bottom view is unornamental and forms no part of the claimed design. The broken line showing in the Figures of the fittings is for illustrative purposes only and forms no part of the claimed design.

**1 Claim, 2 Drawing Sheets**





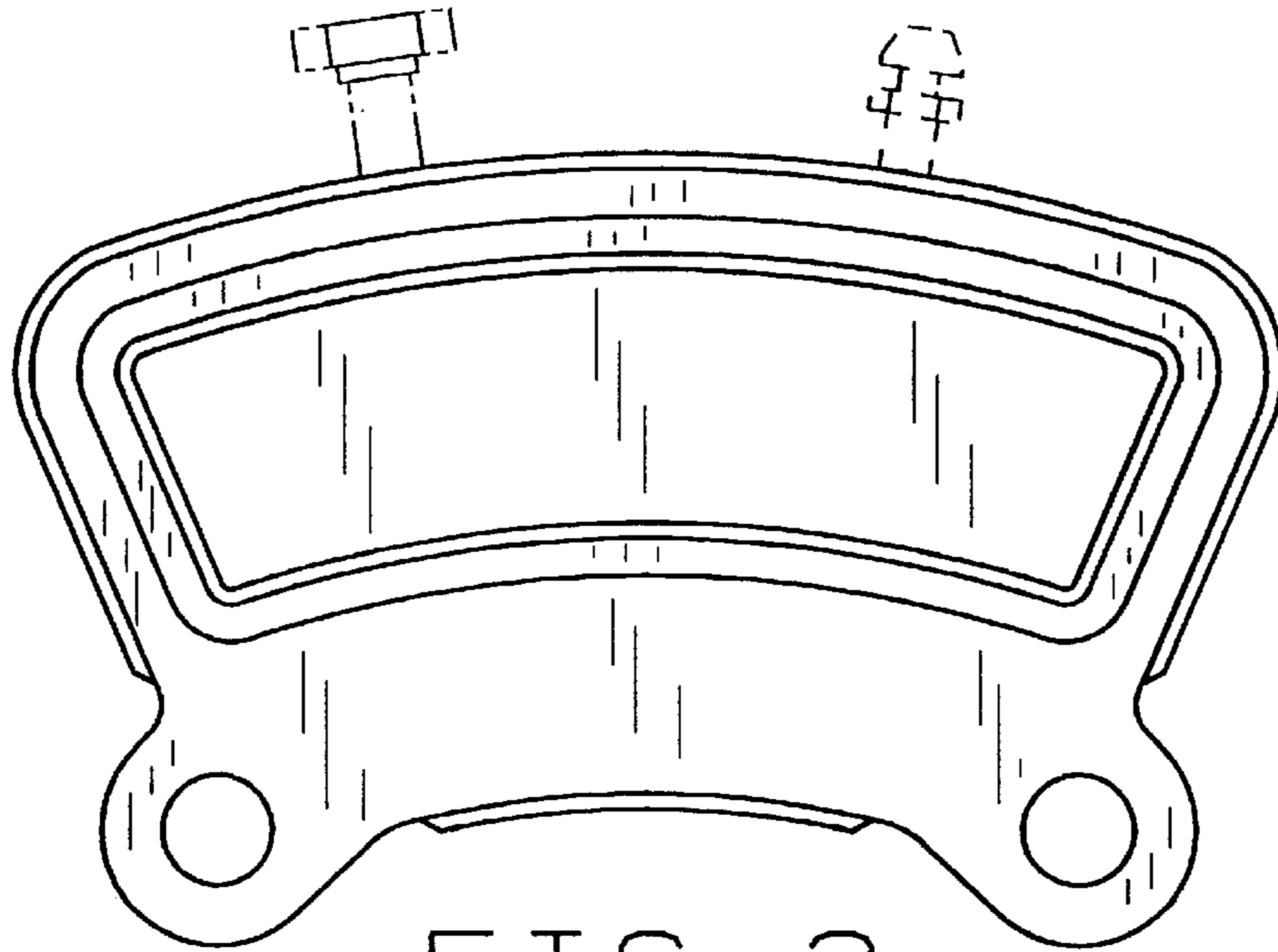


FIG. 3

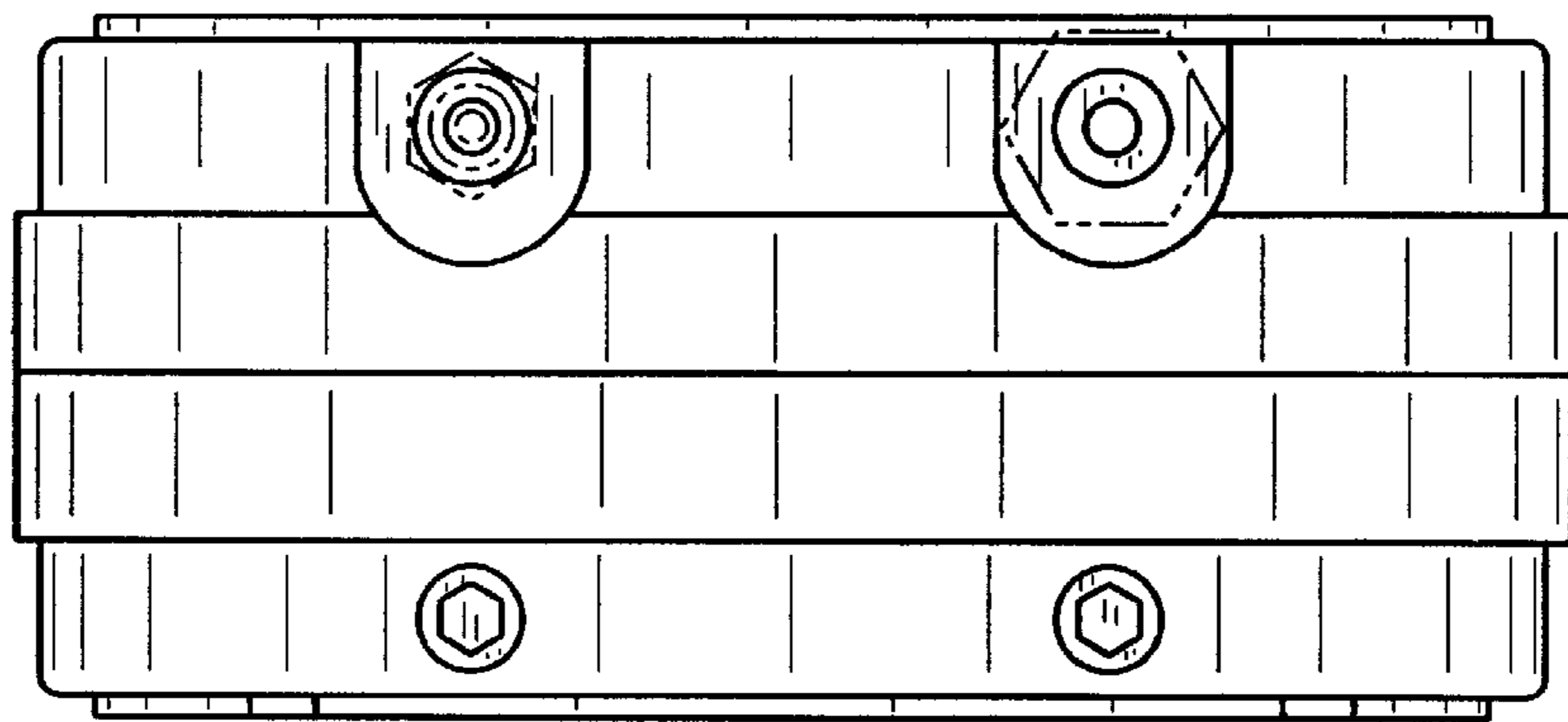


FIG. 4

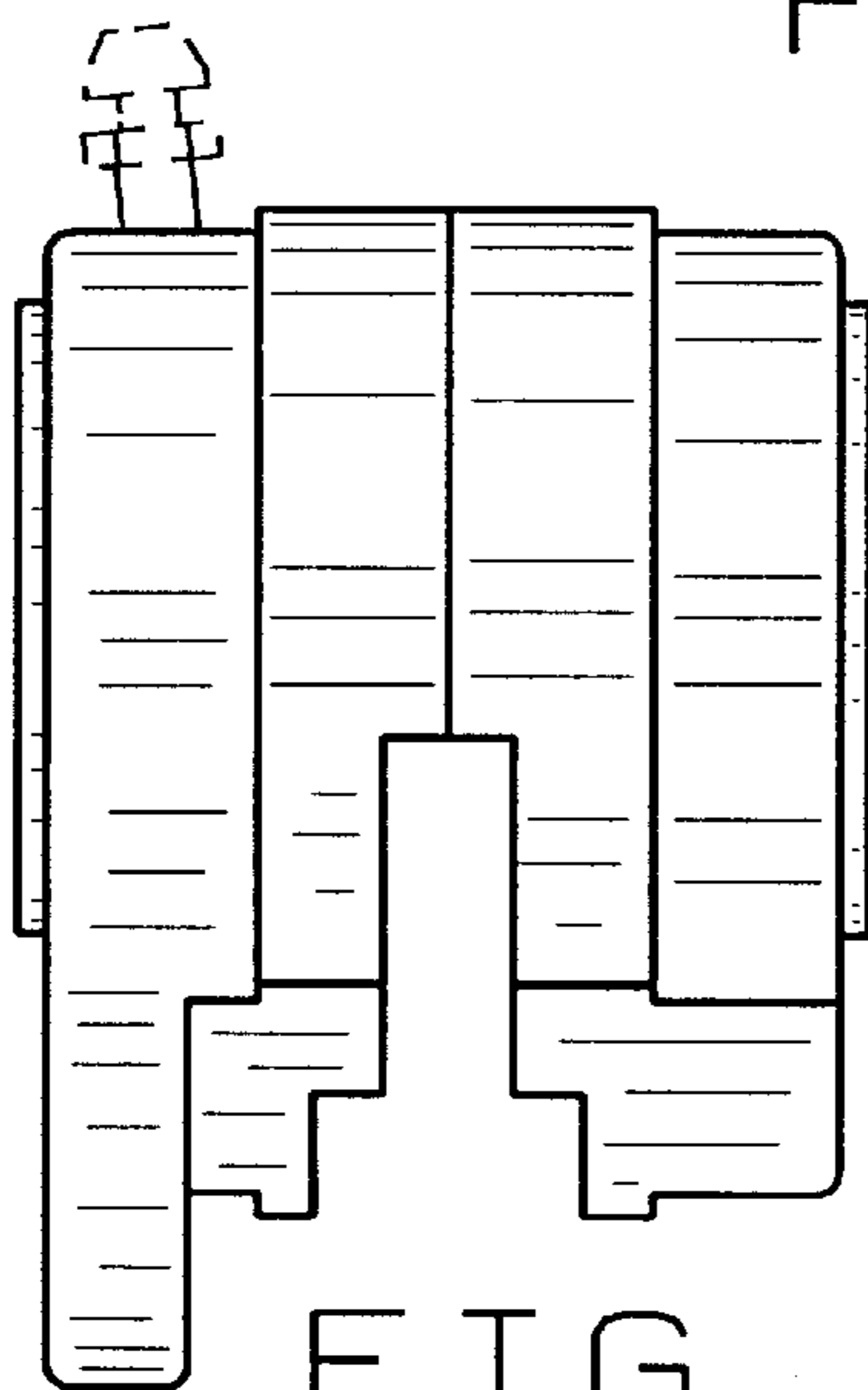


FIG. 5

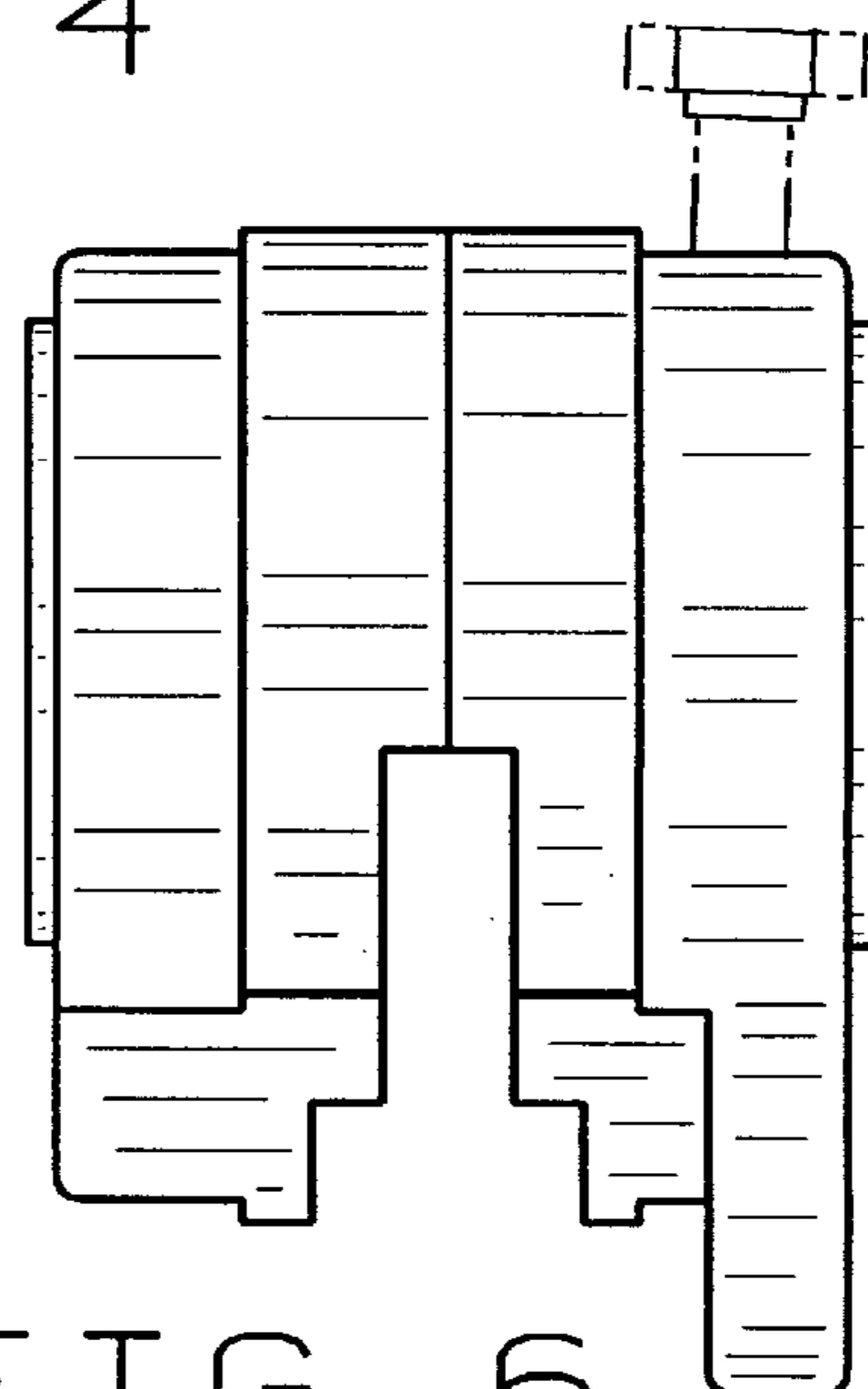


FIG. 6