



US00D413291S

**United States Patent** [19]  
**Corns, Jr.**

[11] **Patent Number: Des. 413,291**

[45] **Date of Patent: \*\* Aug. 31, 1999**

[54] **SPORTS HELMET OUTFITTED  
AUTOMOTIVE HITCH COVER**

[76] Inventor: **Michael D. Corns, Jr.**, 2050 Mountain  
View Dr., Escondido, Calif. 92027

[\*\*] Term: **14 Years**

[21] Appl. No.: **29/096,605**

[22] Filed: **Nov. 16, 1998**

[51] **LOC (6) Cl.** ..... 12-16

[52] **U.S. Cl.** ..... **D12/162**

[58] **Field of Search** ..... D12/162, 400,  
D12/197; D9/307, 441, 451, 310; D29/106;  
211/14; 280/477, 490.1, 507, 511

[56] **References Cited**

**U.S. PATENT DOCUMENTS**

D. 317,890	7/1991	Bachmann	.....	D12/162
D. 330,857	11/1992	Kidd	.....	D9/451
D. 344,257	2/1994	Eppard	.....	D12/162
D. 359,018	6/1995	Thigpen	.....	D12/162
D. 369,996	5/1996	Wylie	.....	D12/162
D. 382,473	8/1997	Egender	.....	D9/307

D. 387,660	12/1997	Packard	.....	D9/307
D. 391,852	3/1998	Tucker	.....	D9/451
D. 401,193	11/1998	Julian	.....	D12/162

*Primary Examiner*—Doris V. Coles  
*Assistant Examiner*—Stacia Sinuik  
*Attorney, Agent, or Firm*—Loyal McKinley Hanson

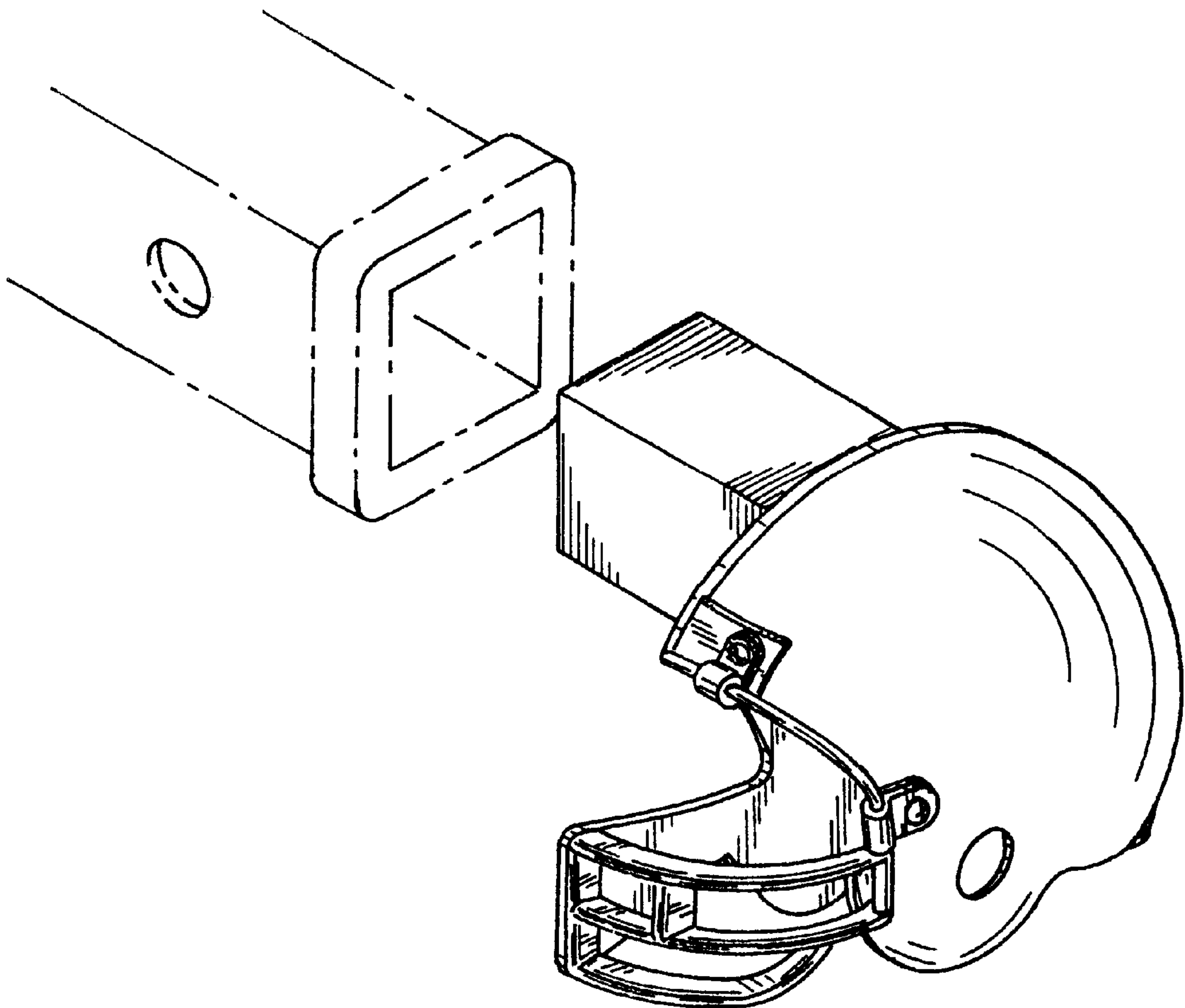
[57] **CLAIM**

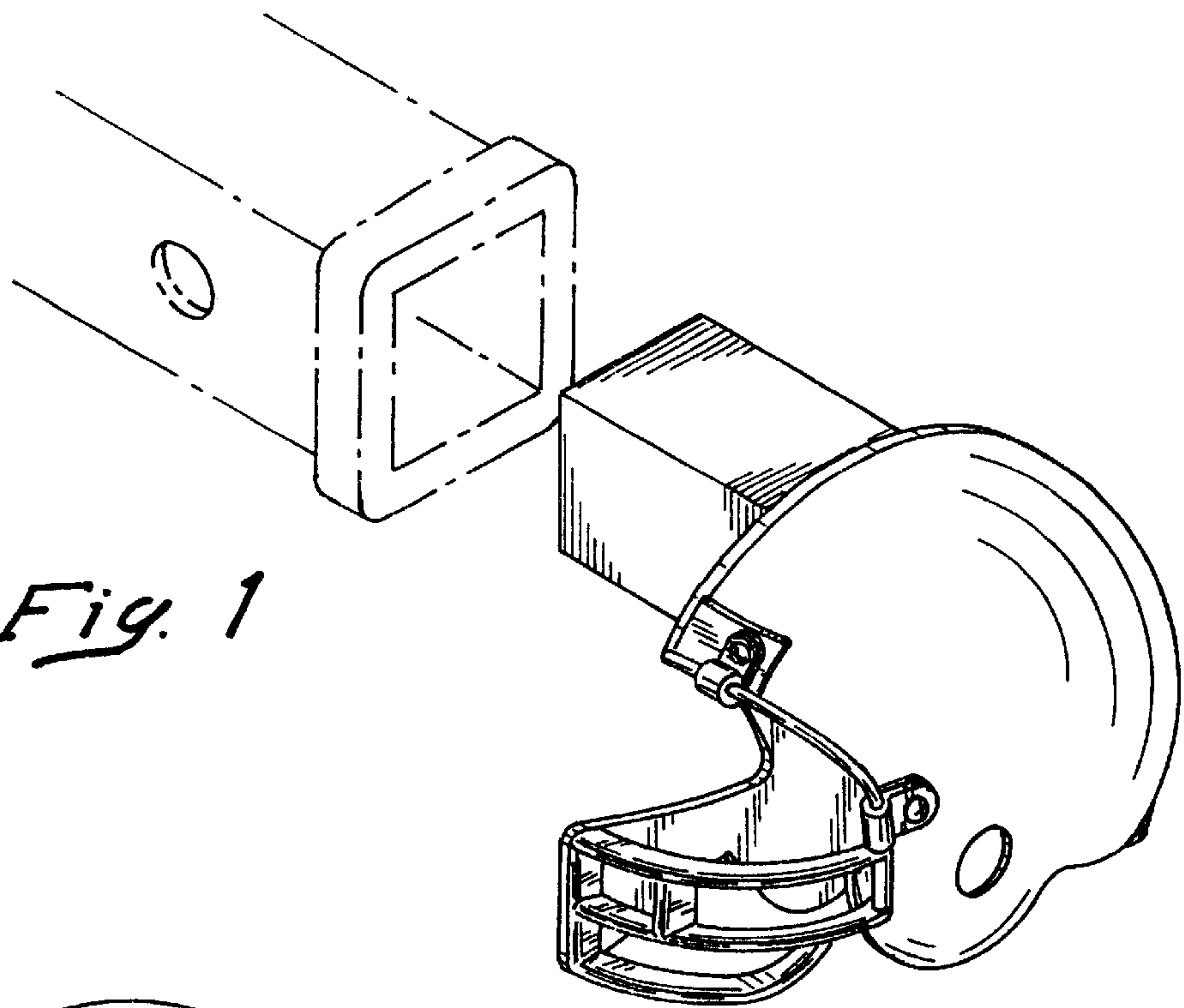
The ornamental design for a sports helmet outfitted auto-  
motive hitch cover, as shown and described.

**DESCRIPTION**

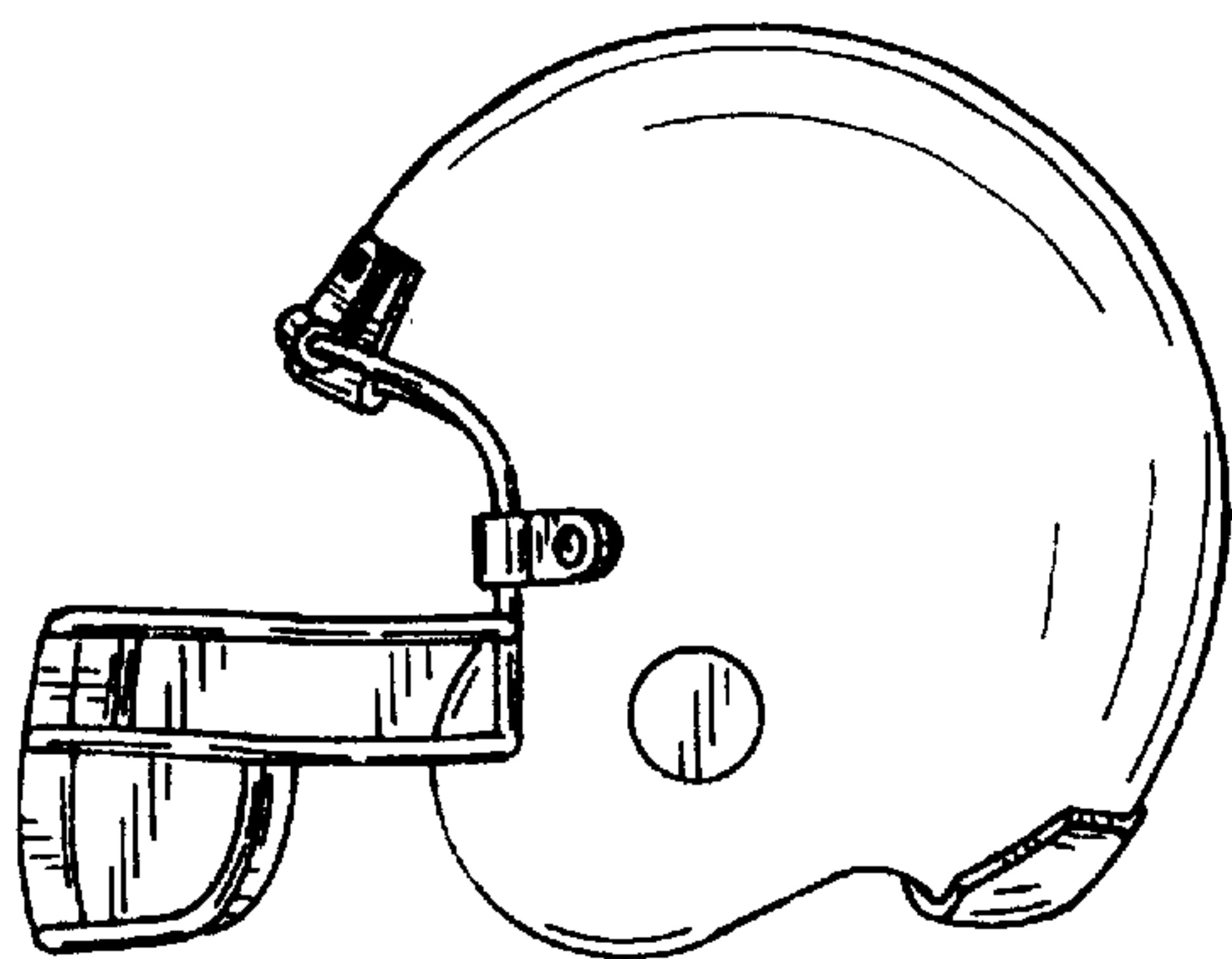
FIG. 1 is a perspective view of a sports helmet outfitted hitch cover showing my new design, the broken line showing of the trailer hitch receiver is for illustrative purposes only and forms no part of the claimed design;  
FIG. 2 is a front view thereof;  
FIG. 3 is a left side view thereof;  
FIG. 4 is a top view thereof;  
FIG. 5 is a back view thereof;  
FIG. 6 is a right side view thereof; and,  
FIG. 7 is a bottom view thereof.

**1 Claim, 2 Drawing Sheets**



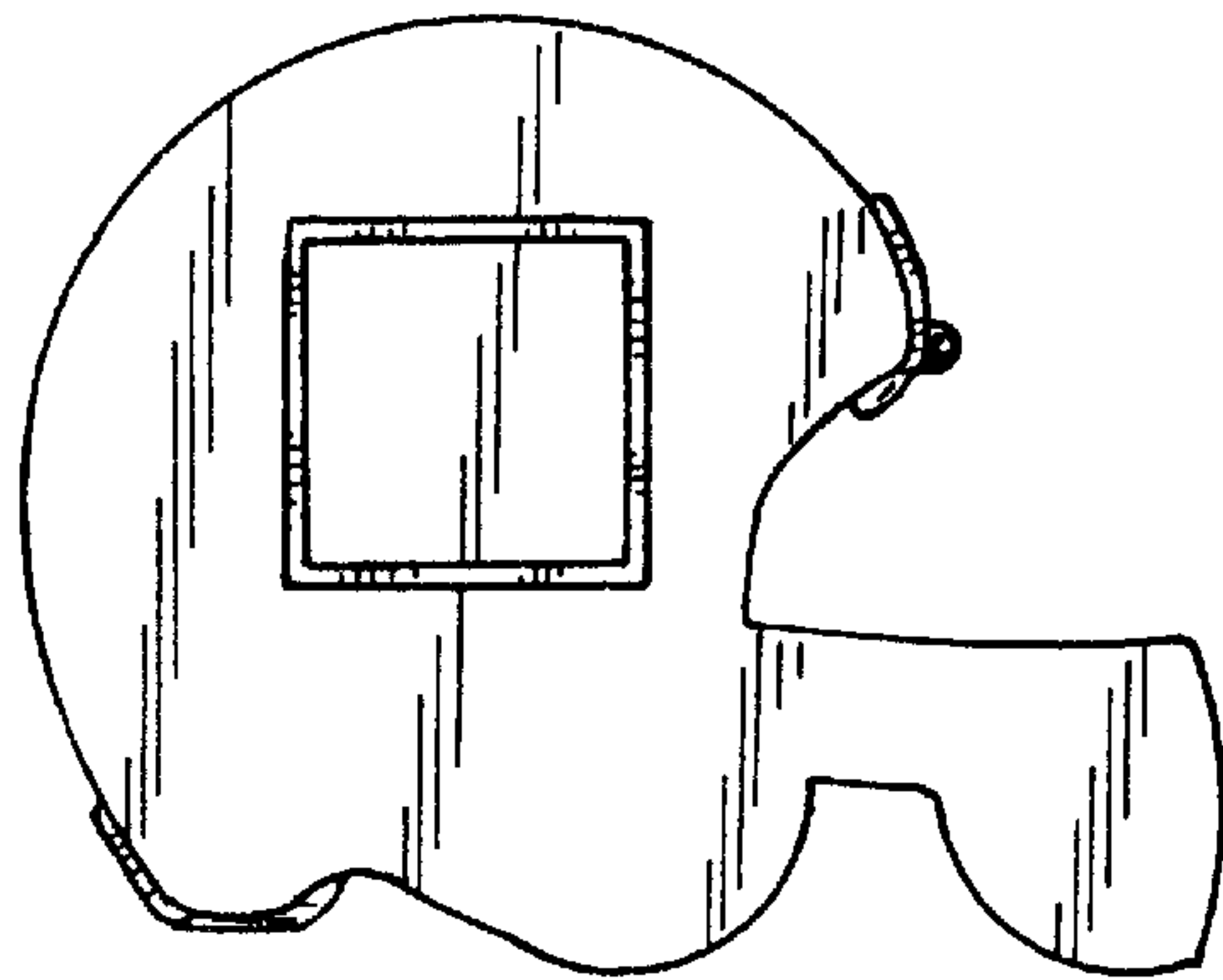


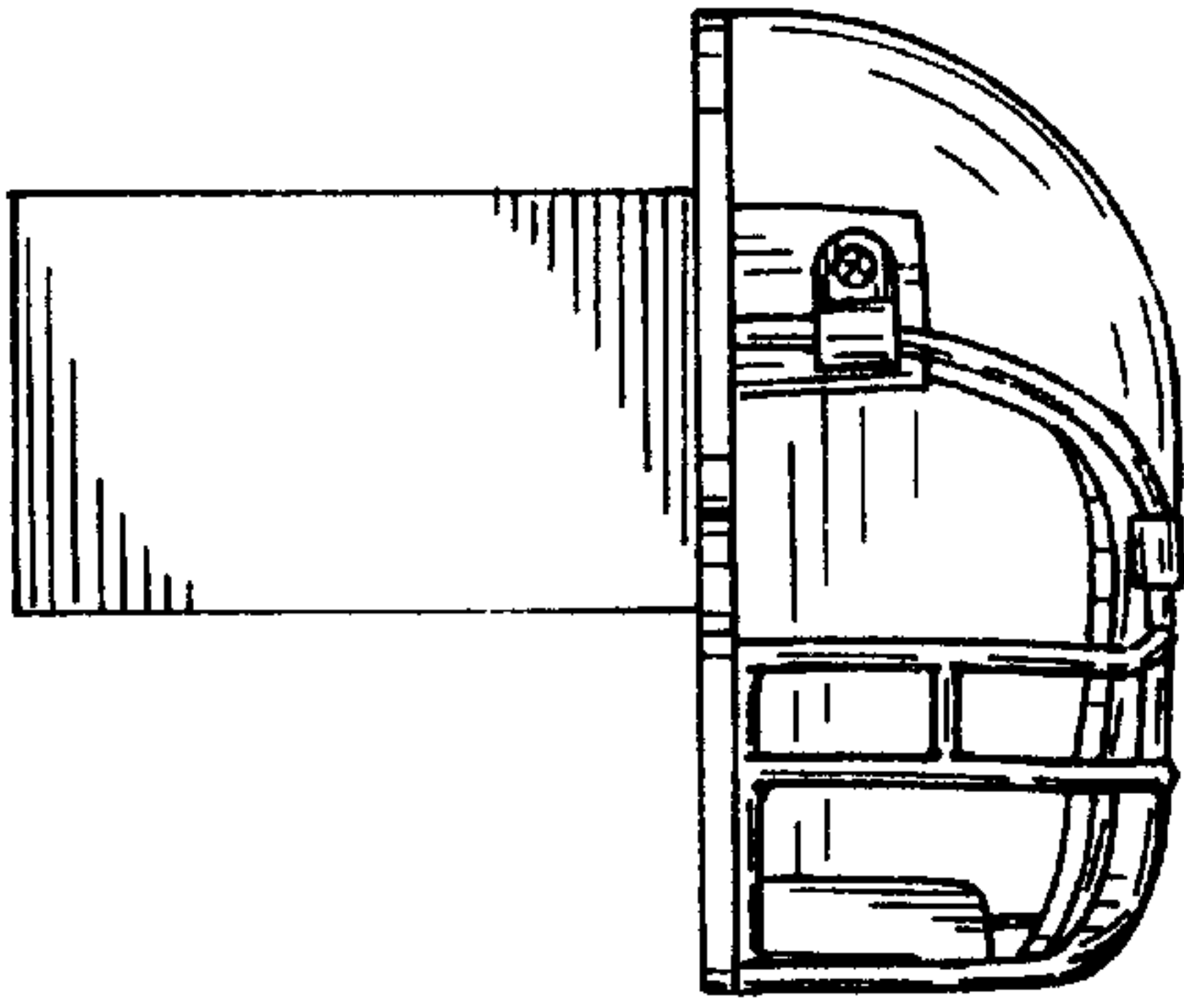
*Fig. 1*



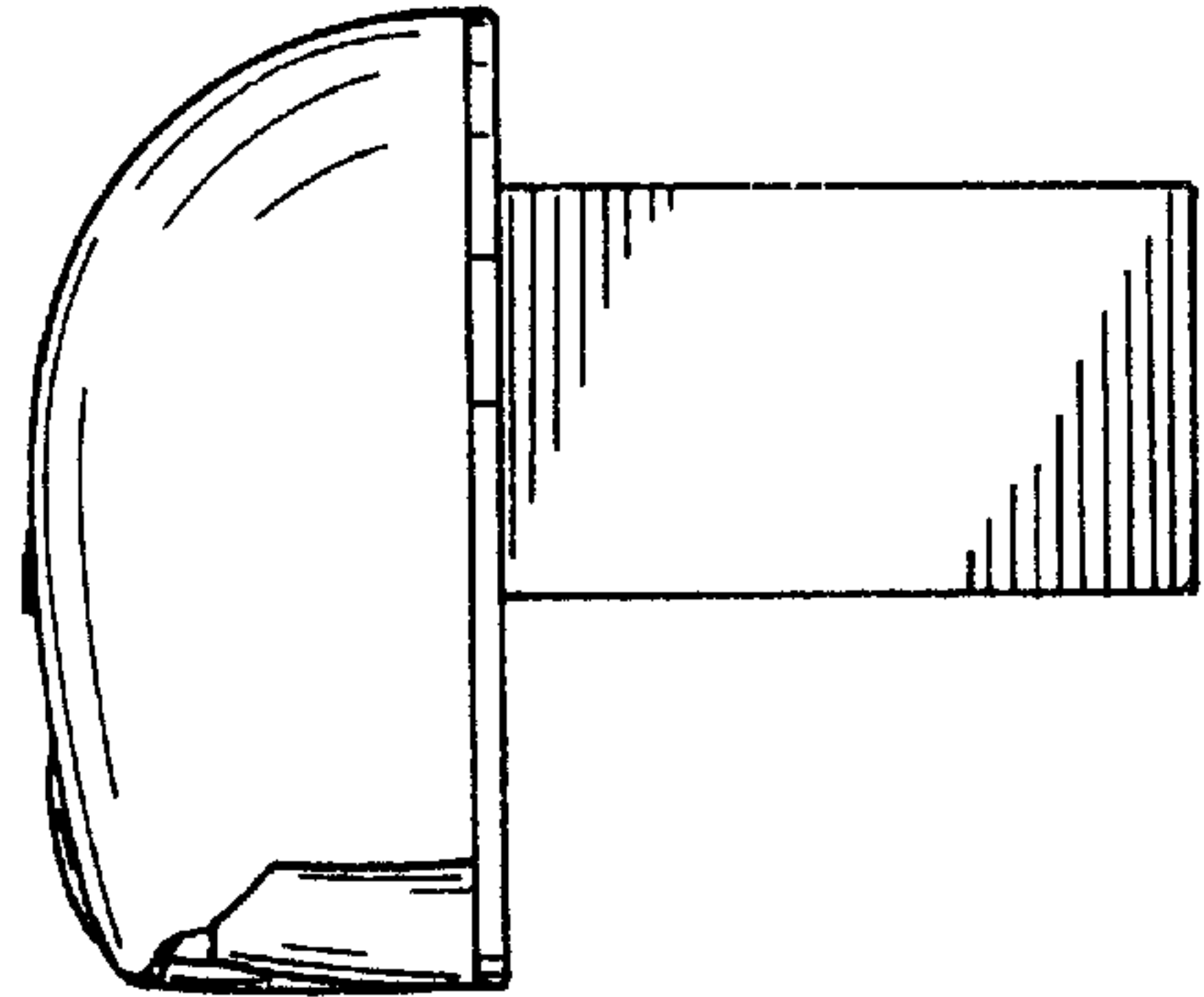
*Fig. 2*

*Fig. 5*

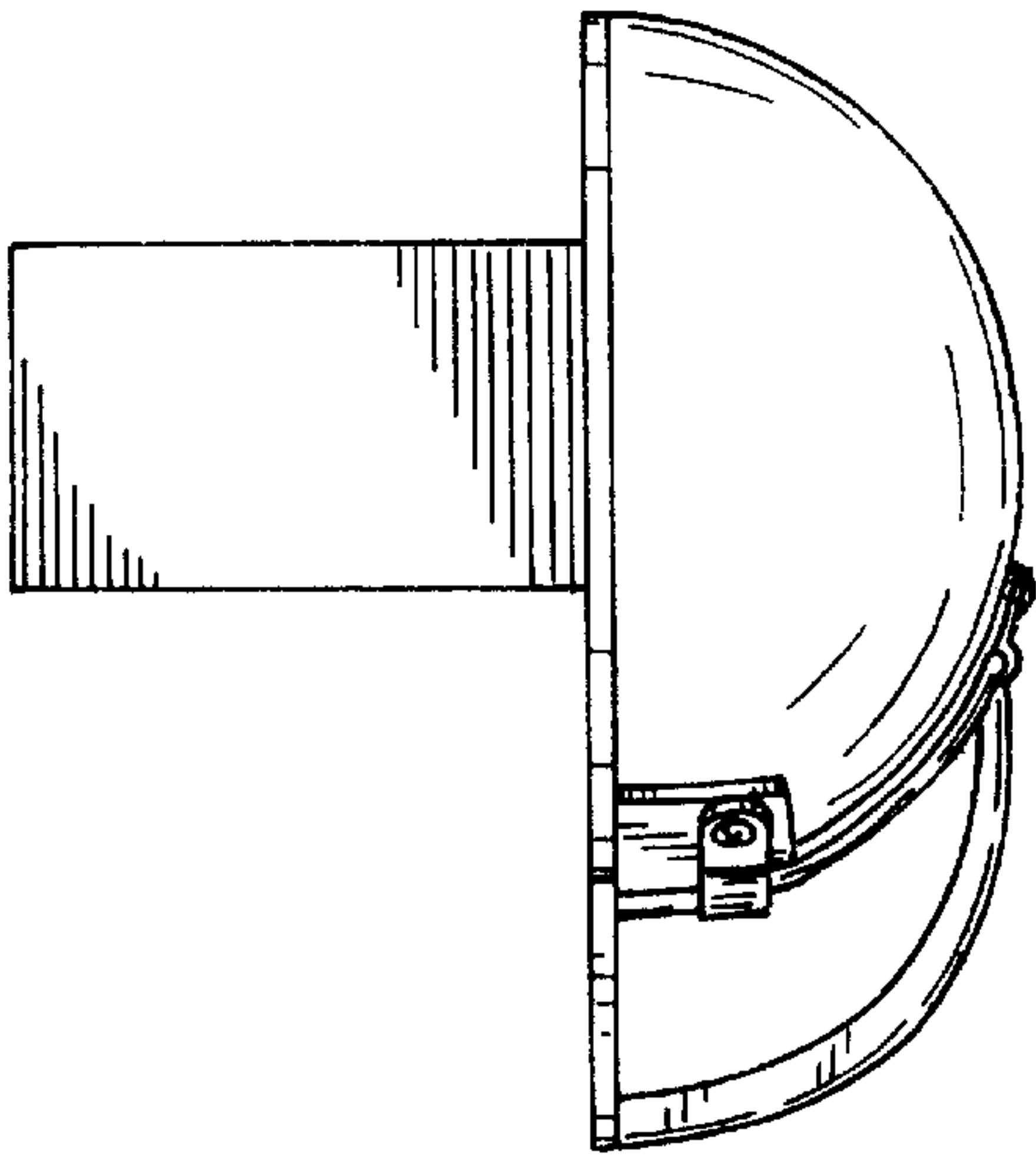




*Fig. 3*



*Fig. 6*



*Fig. 4*

*Fig. 7*

