



US00D413287S

United States Patent [19]

Brown et al.

[11] Patent Number: **Des. 413,287**

[45] Date of Patent: **** Aug. 31, 1999**

[54] **TIRE TREAD**

[75] Inventors: **Stephanie Carol Brown**, Akron;
Michael Alois Kolowski, Mogadore;
Billy Joe Ratliff, Jr., Akron, all of Ohio

[73] Assignee: **The Goodyear Tire & Rubber Company**, Akron, Ohio

[**] Term: **14 Years**

[21] Appl. No.: **29/092,741**

[22] Filed: **Aug. 26, 1998**

[51] **LOC (6) Cl.** **12-15**

[52] **U.S. Cl.** **D12/147**

[58] **Field of Search** D12/141-143,
D12/146-151; 152/209.1, 209.8, 209.9,
209.11, 209.16, 209.18, 209.28, 900, 901,
902, 903

[56] **References Cited**

U.S. PATENT DOCUMENTS

D. 172,860	8/1954	Billingsley	D90/20
D. 239,376	3/1976	Candiliotis	D12/149
D. 267,400	12/1982	Amarger	D12/147
D. 278,423	4/1985	Baus	D12/147

D. 279,367	6/1985	Lindner et al.	D12/149
D. 292,083	9/1987	Ozawa	D12/147
D. 296,316	6/1988	Nishio et al.	D12/147
D. 303,363	9/1989	Graas	D12/147
D. 337,977	8/1993	Shinohara et al.	D12/147
D. 354,031	1/1995	McKisson	D12/147
D. 385,522	10/1997	Ratliff, Jr.	D12/147
D. 405,738	2/1999	Ratliff, Jr.	D12/147

Primary Examiner—Robert M. Spear
Attorney, Agent, or Firm—T P Lewandowski

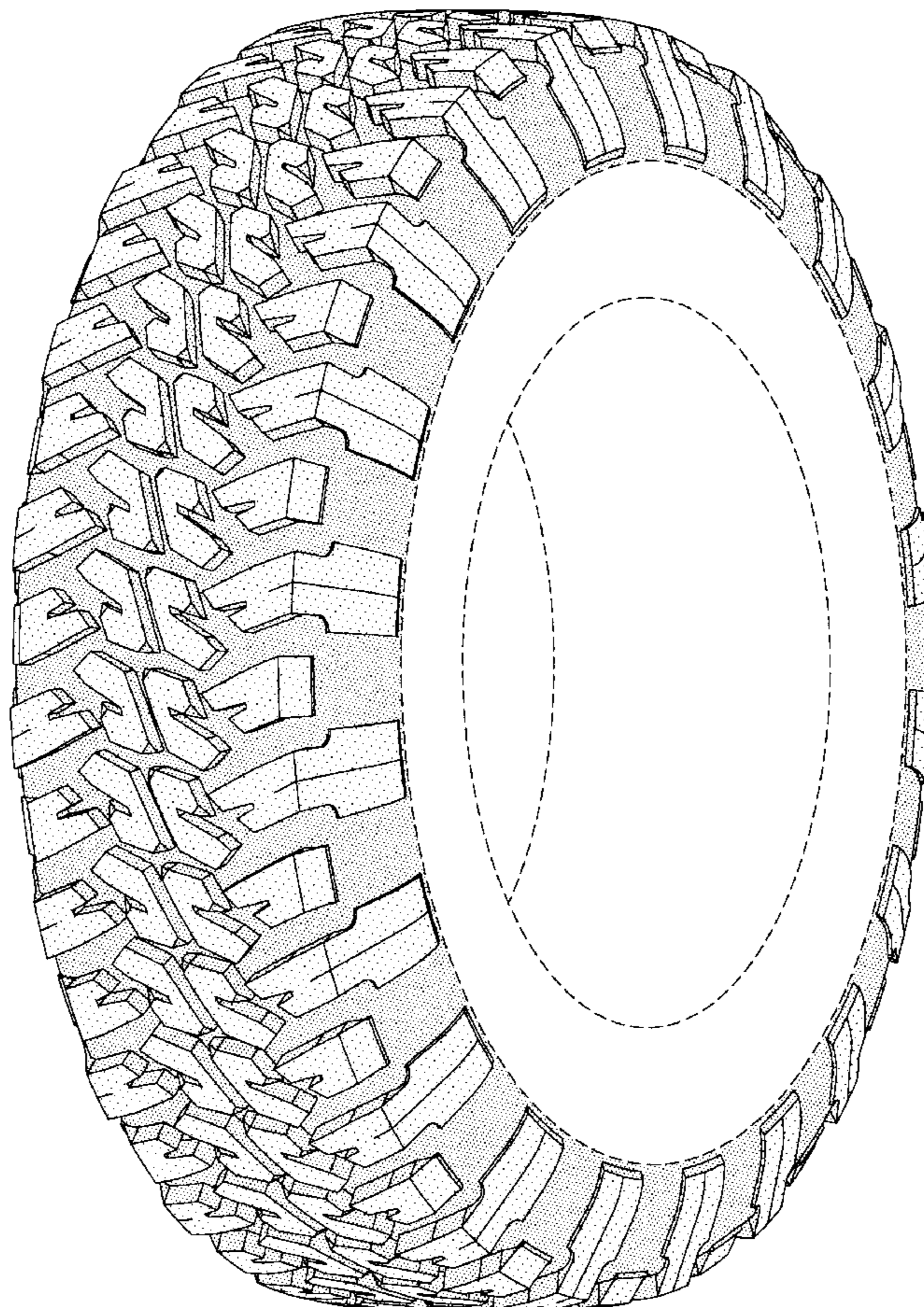
[57] **CLAIM**

The ornamental design for a tire tread, as shown and described.

DESCRIPTION

FIG. 1 is a perspective view of a tire tread showing our new design, it being understood that the pattern repeats uniformly throughout the circumference of the tread;
FIG. 2 is a front elevational view thereof;
FIG. 3 is a side elevational view thereof, the opposite side elevational view being identical thereto; and,
FIG. 4 is an enlarged fragmentary perspective view.
In the drawings, the broken lines defining the inner bead of the sidewall and the peripheral boundary between the tire tread and the sidewall are for illustrative purposes only and form no part of the claimed design.

1 Claim, 4 Drawing Sheets



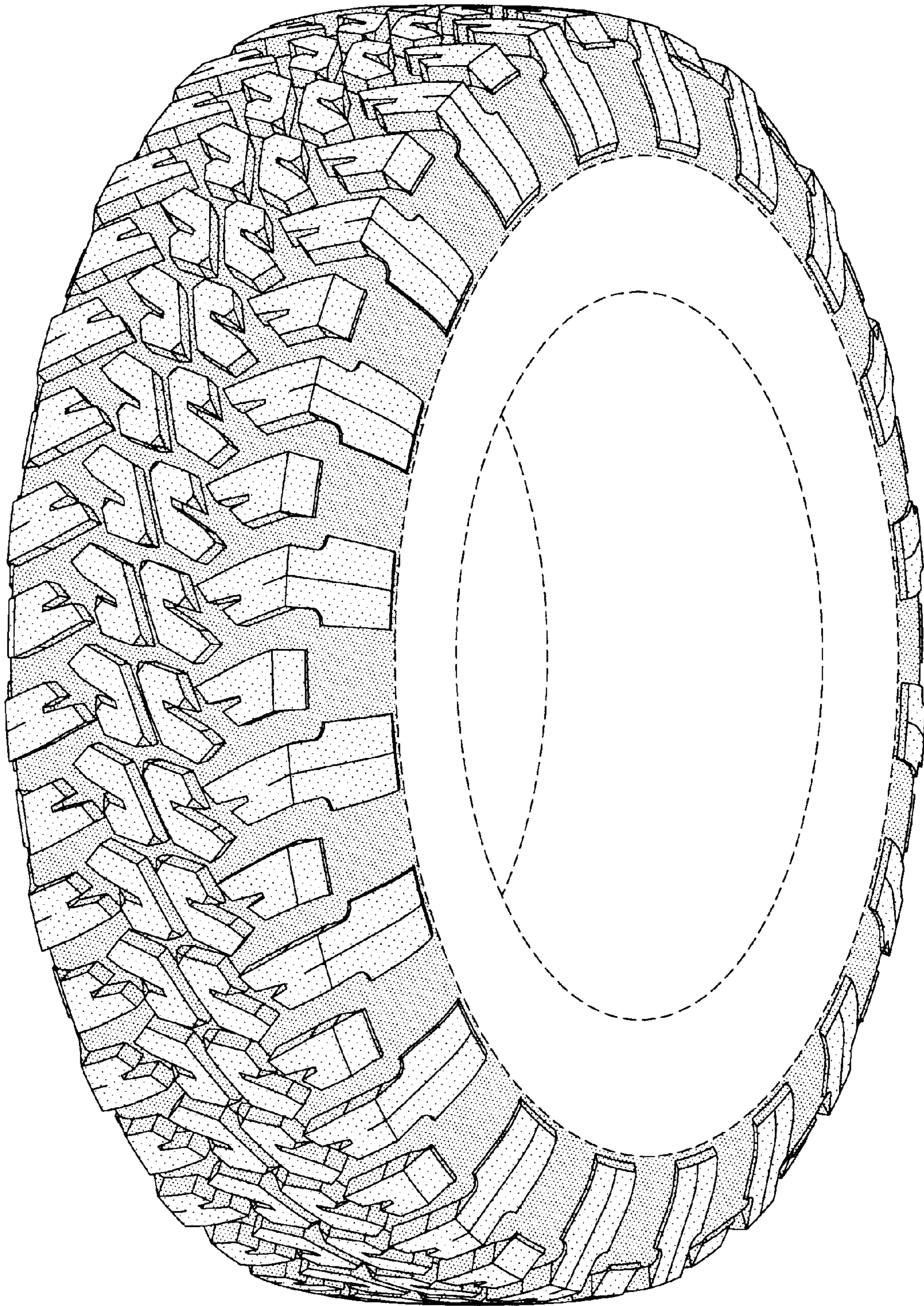


FIG-1

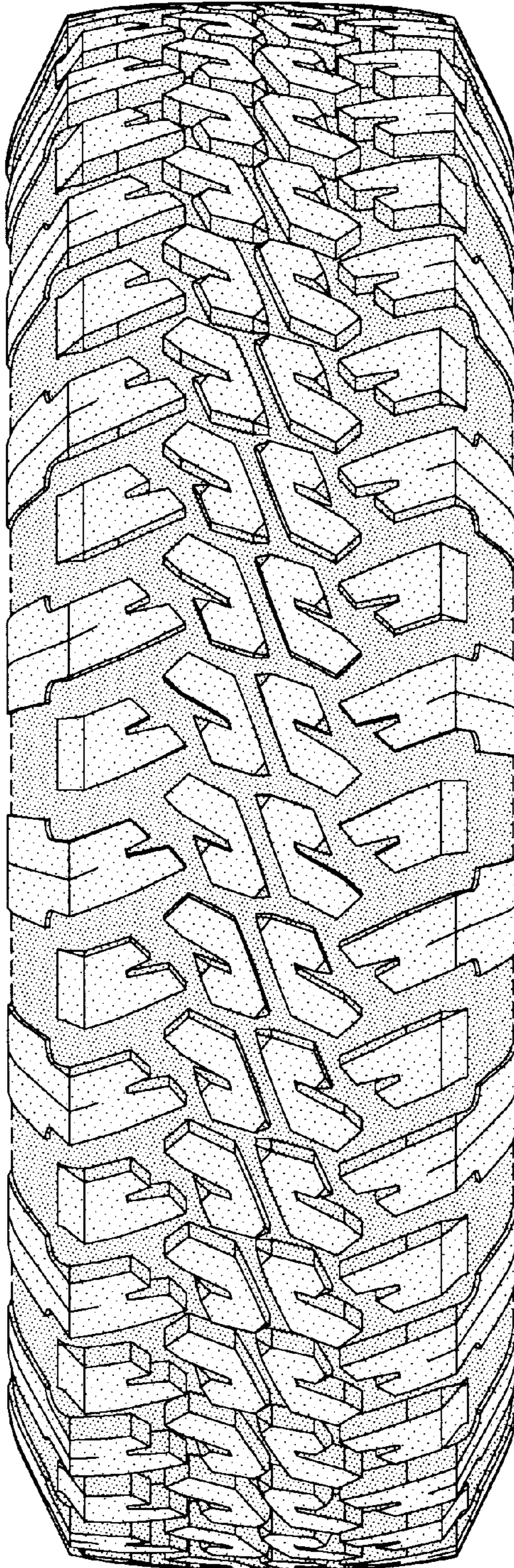


FIG-2

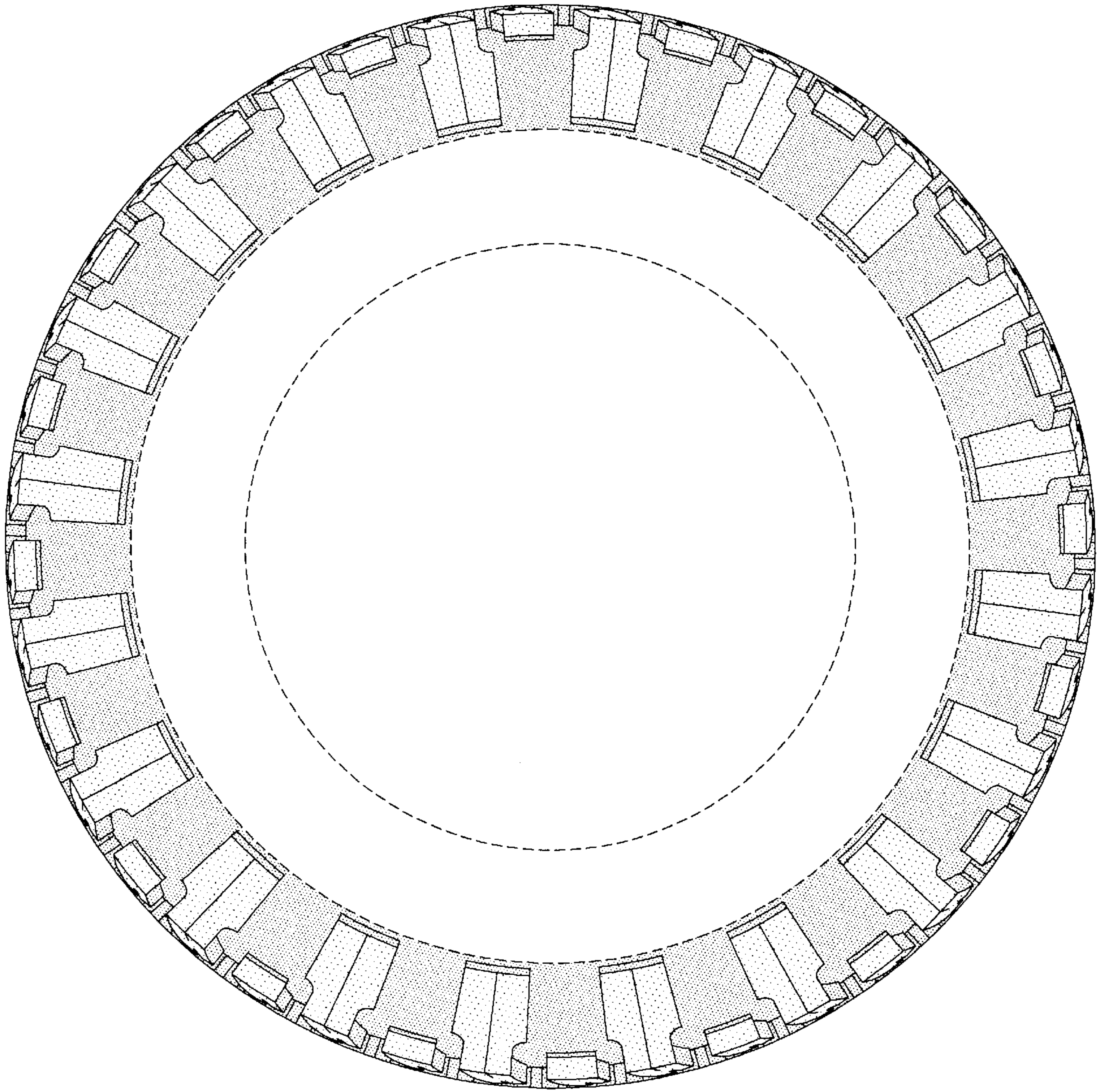


FIG-3

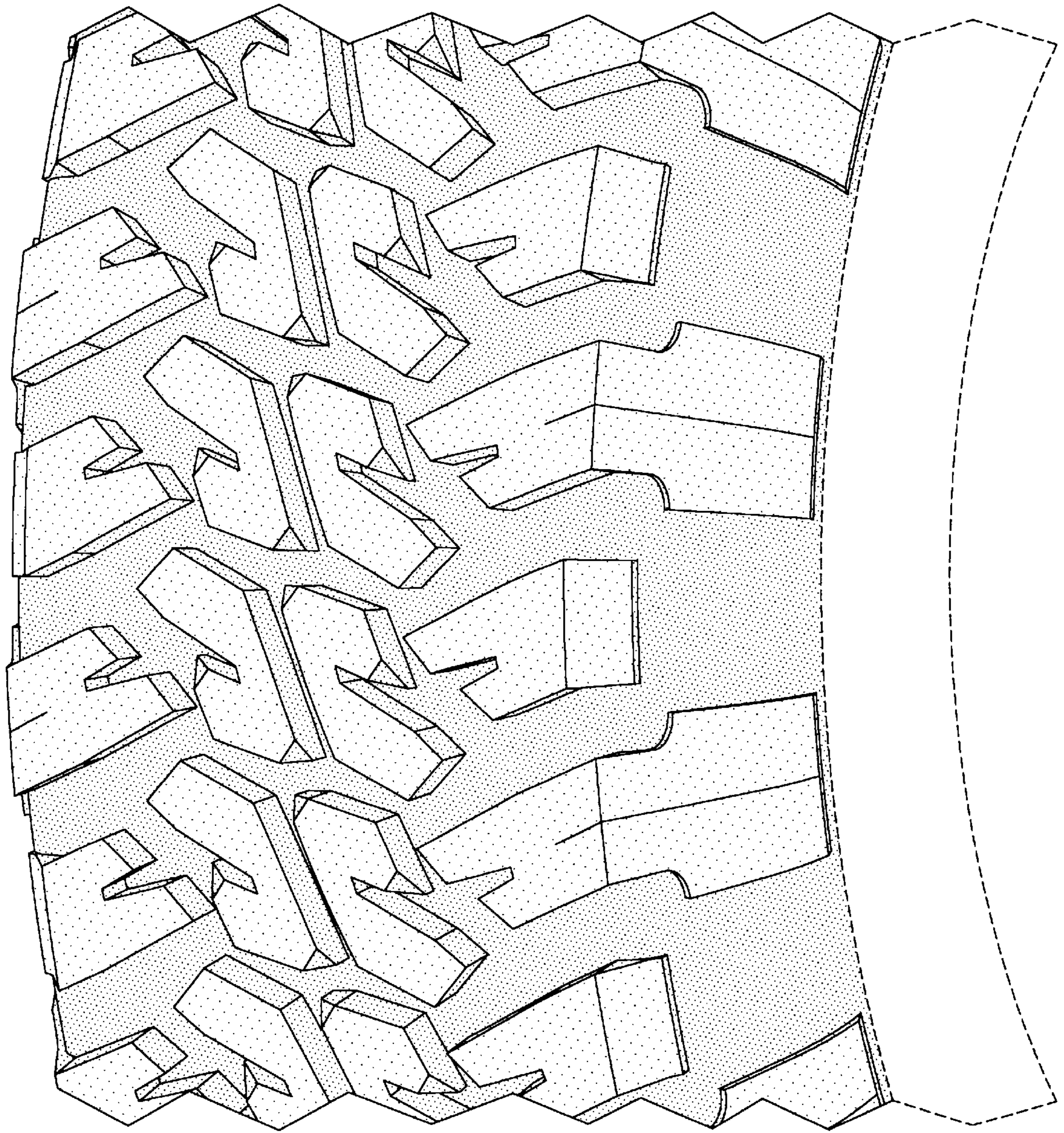


FIG-4