



US00D413275S

United States Patent [19]
Wu

[11] **Patent Number: Des. 413,275**

[45] **Date of Patent: ** Aug. 31, 1999**

[54] **SCORE BOARD FOR GOLF CART**

[76] **Inventor: David Wu**, No. 35-1, Jih Hsin Street,
Tu Cheng Hsiang, Taipei Hsien, Taiwan

[**] **Term: 14 Years**

[21] **Appl. No.: 29/098,870**

[22] **Filed: Jan. 7, 1999**

[51] **LOC (6) Cl. 21-01**

[52] **U.S. Cl. D10/46.1**

[58] **Field of Search** D10/46.1, 46,
D10/97; 116/222-225, 305; 235/90, 1 B,
1 D, 1 R; D21/789, 791; 473/283

[56] **References Cited**

U.S. PATENT DOCUMENTS

D. 229,706	12/1973	Lewis	D10/46.1
D. 360,595	7/1995	Lia	D10/46.1
D. 394,406	5/1998	Sacks	D10/46.1
753,467	3/1904	Weissbrod	473/283 X

1,771,593	7/1930	Tell	235/1 B
1,811,778	6/1931	Bowen	116/225
2,838,238	6/1958	Menes	235/1 B X
4,036,416	7/1977	Lowe	116/225 X

Primary Examiner—Prabhakar Deshmukh
Attorney, Agent, or Firm—Varndell Legal Group

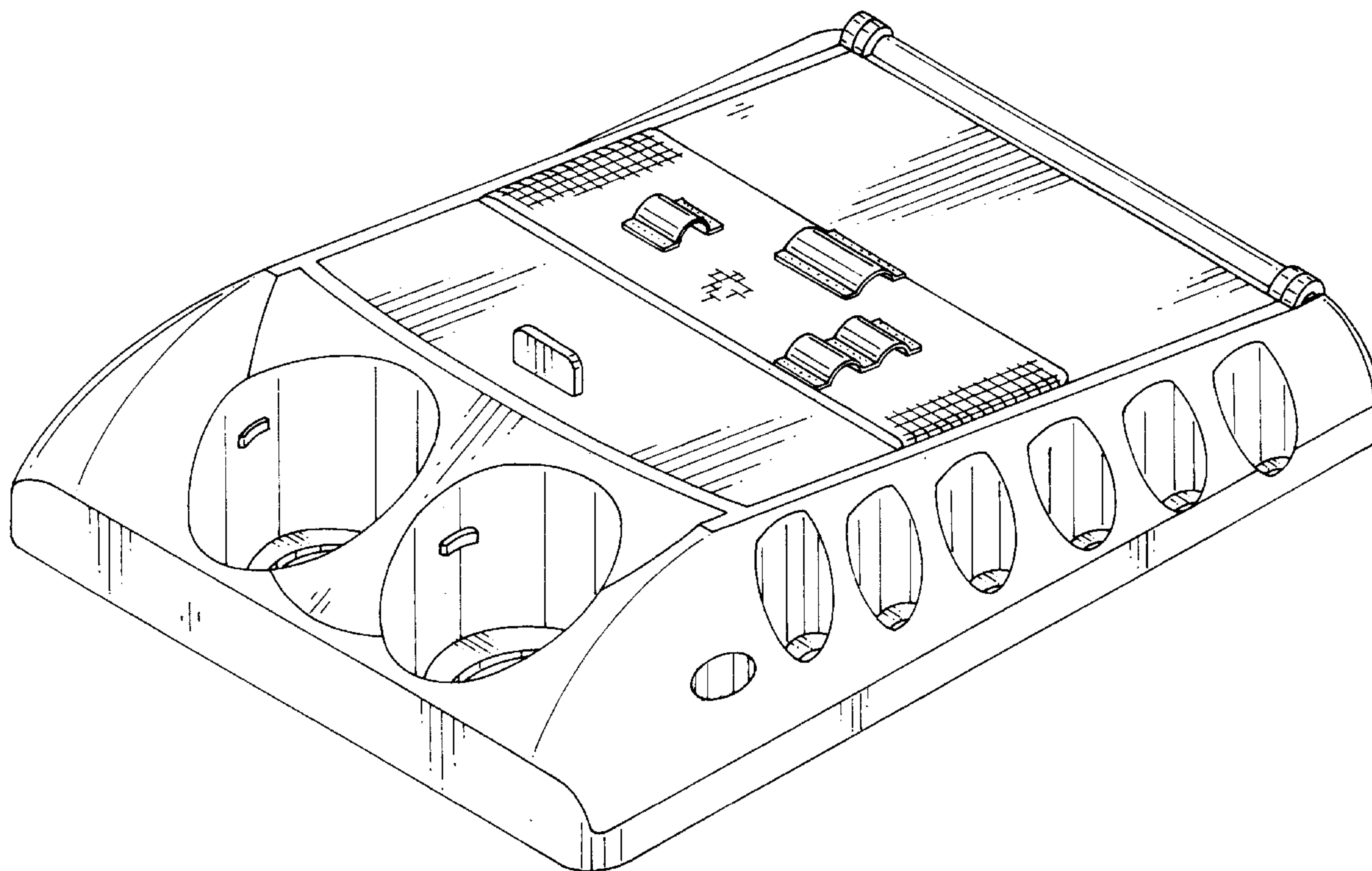
[57] **CLAIM**

The ornamental design for score board for golf cart, as shown and described.

DESCRIPTION

FIG. 1 is a perspective view of a score board for golf cart showing my new design;
FIG. 2 is a front elevational view thereof;
FIG. 3 is a rear elevational view thereof;
FIG. 4 is a top plan view thereof;
FIG. 5 is a bottom plan view thereof;
FIG. 6 is a left side elevational view thereof; and,
FIG. 7 is a right side elevational view thereof.

1 Claim, 7 Drawing Sheets



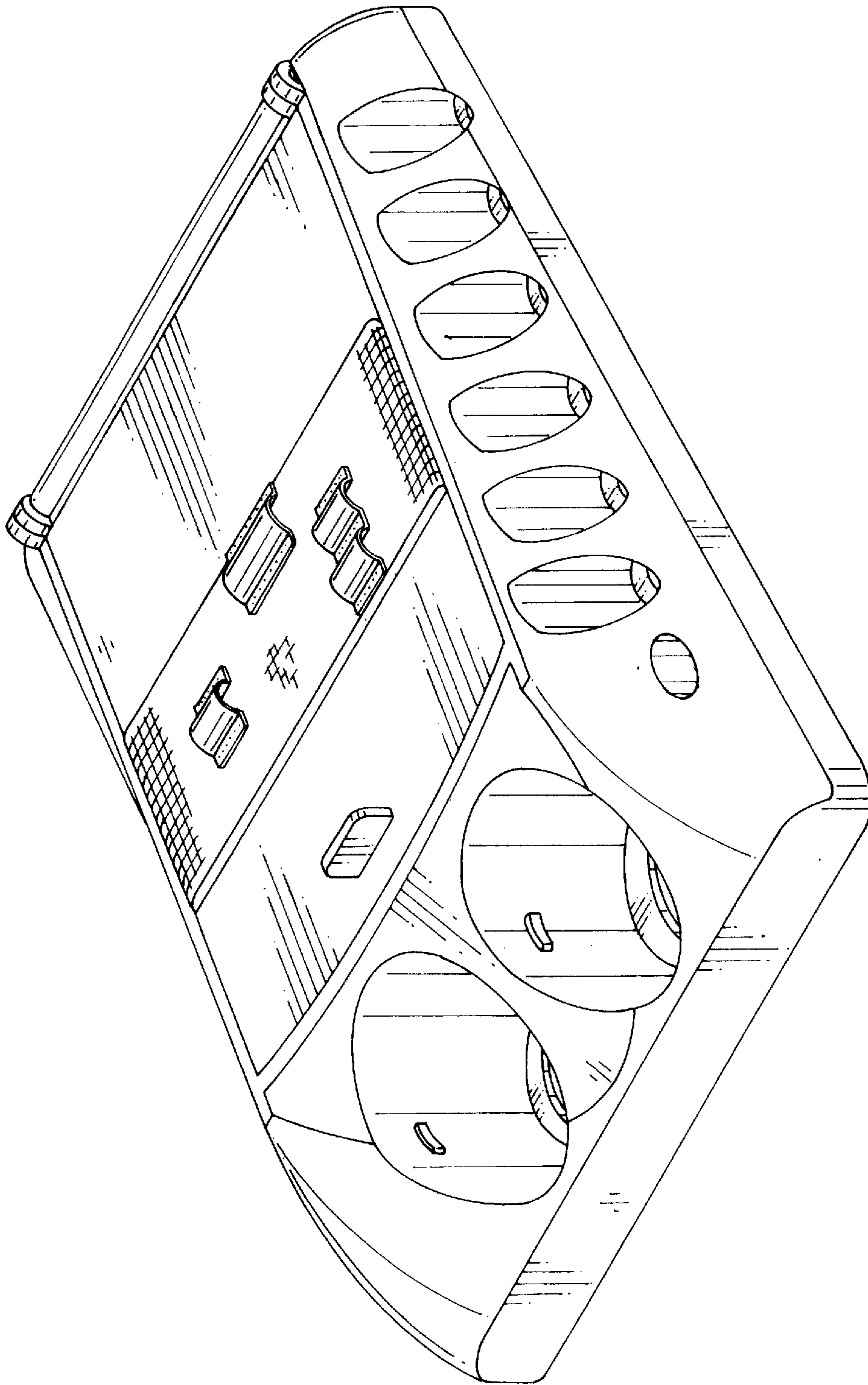


Fig. 1

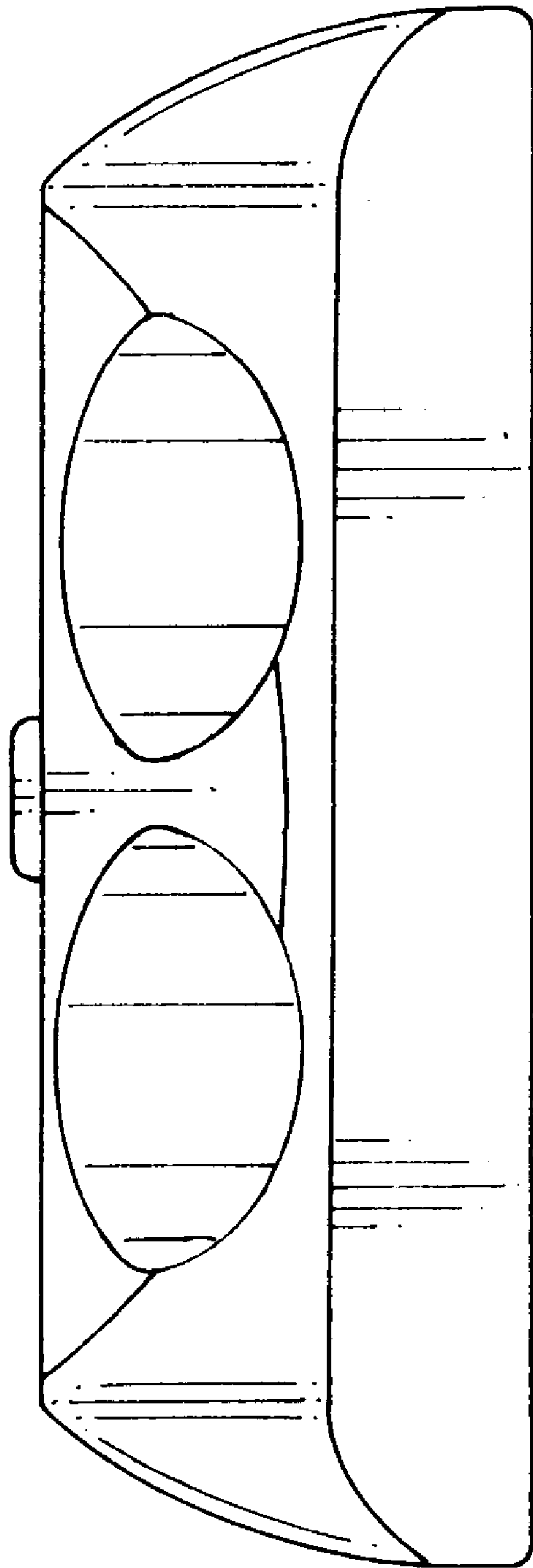


Fig. 2

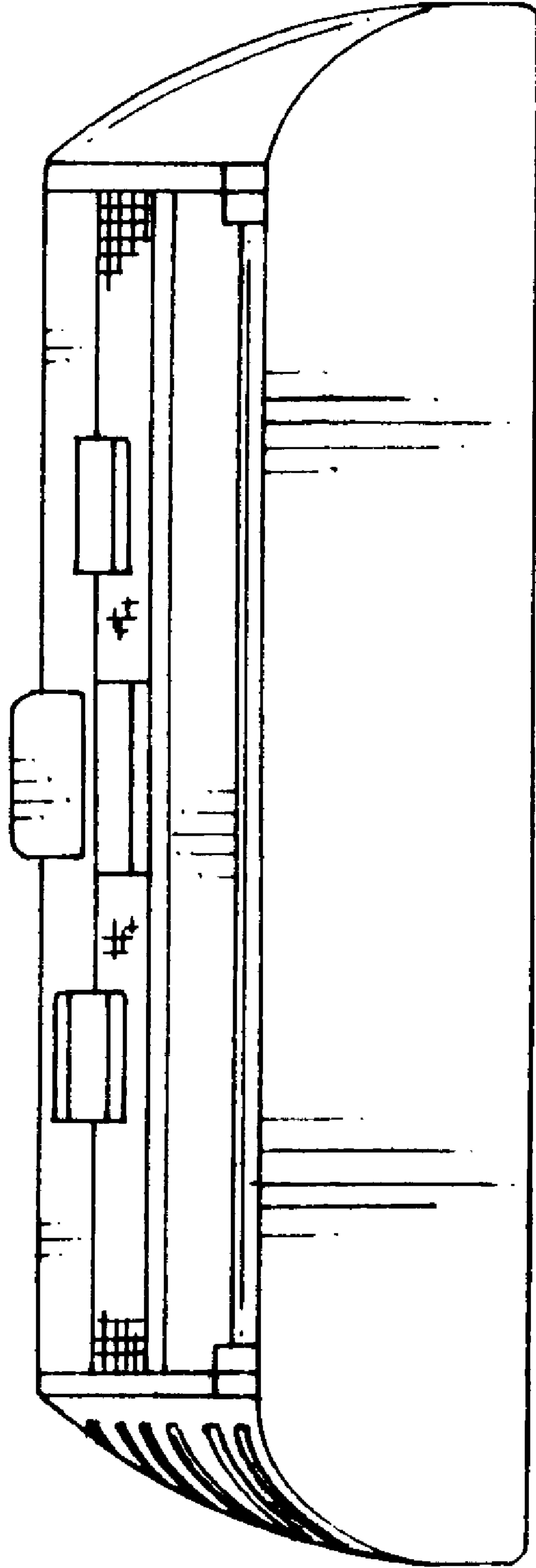


Fig. 3

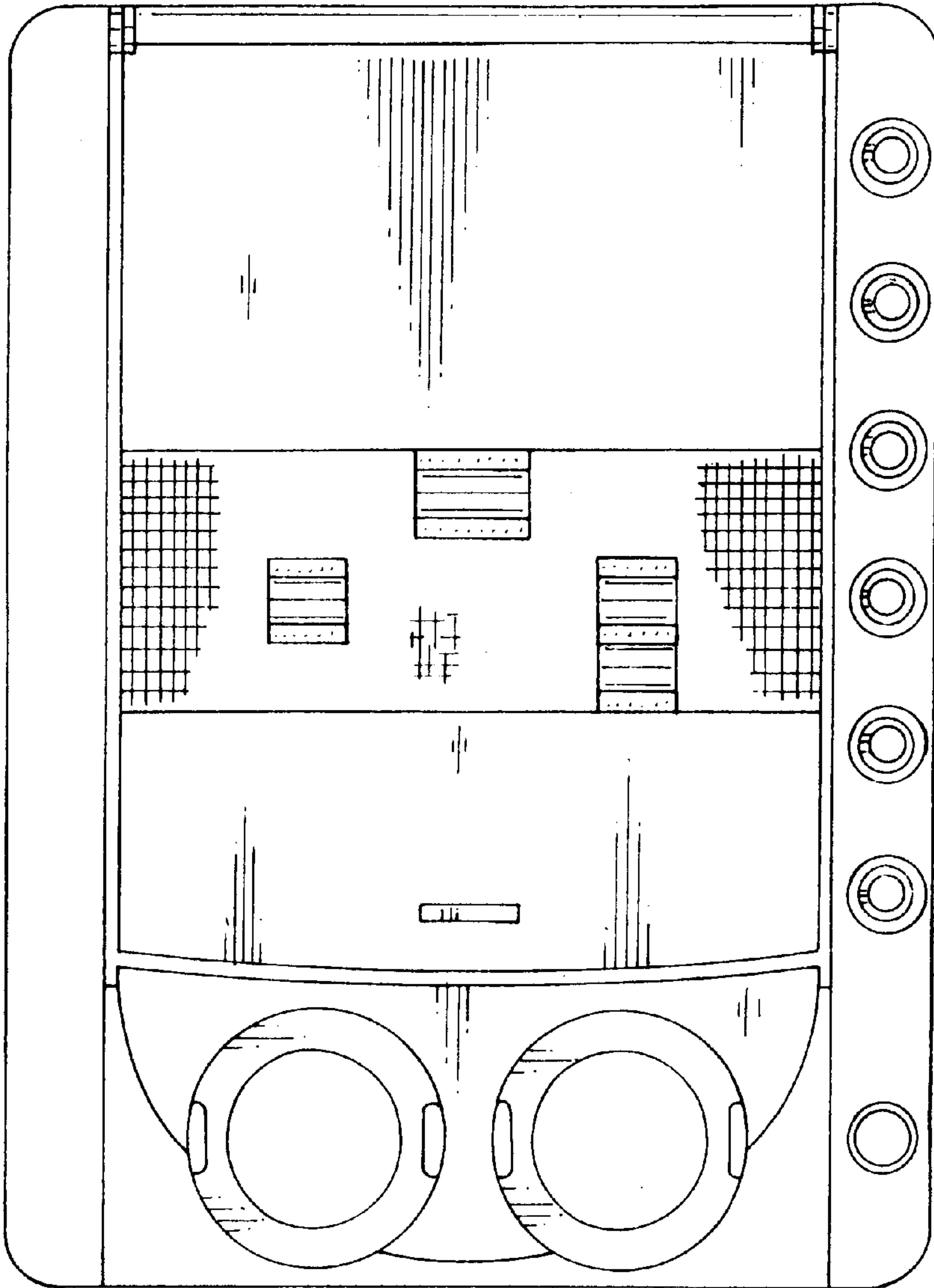


Fig. 4

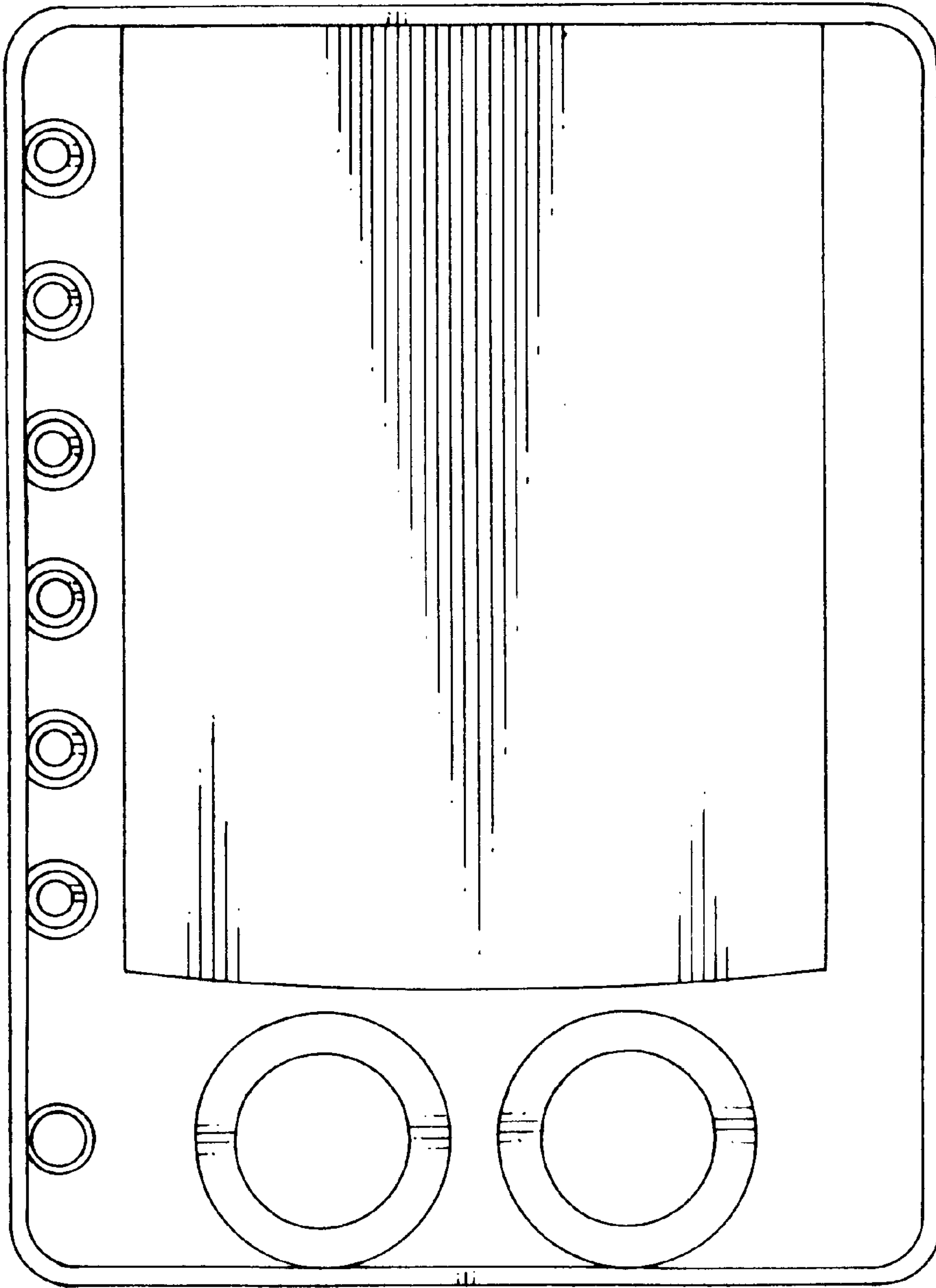


Fig. 5

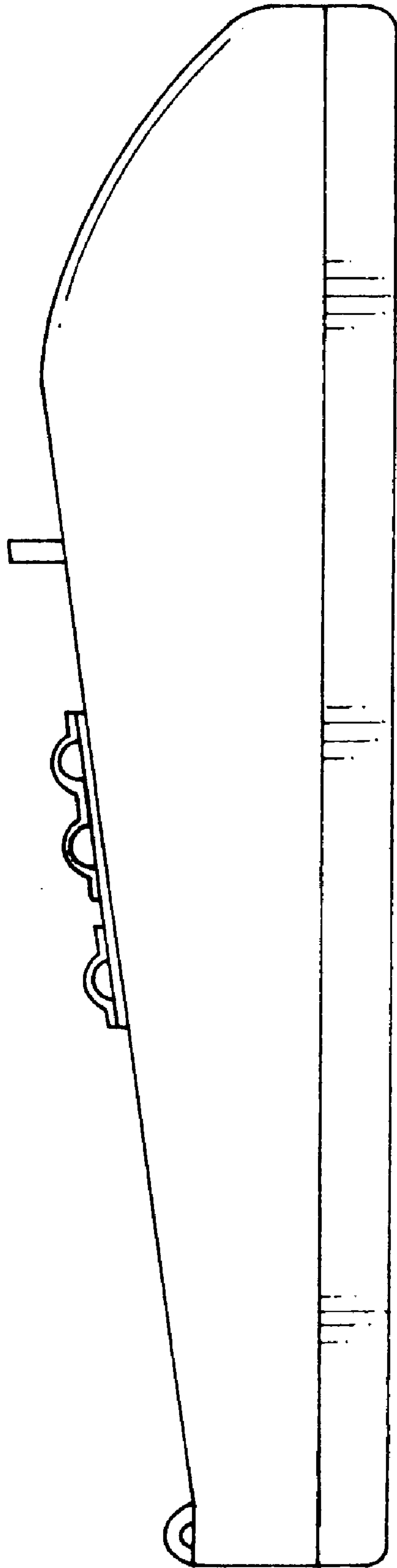


Fig. 6

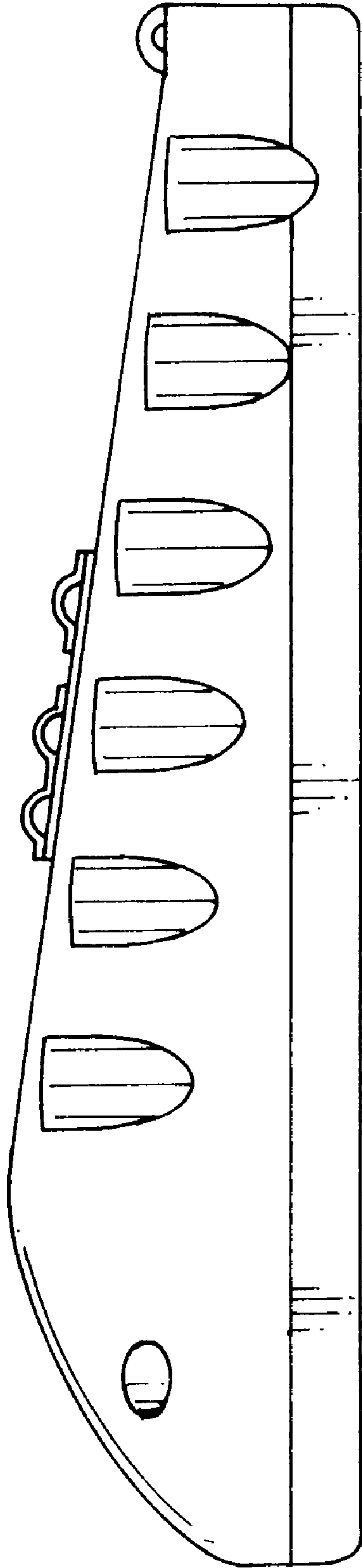


Fig. 7