



US00D413272S

United States Patent [19] Duke

[11] **Patent Number: Des. 413,272**

[45] **Date of Patent: ** Aug. 31, 1999**

[54] **CLOCK**

D. 232,526 8/1974 Wallach D10/26
298,557 5/1884 Diolot .

[75] Inventor: **Jim Duke**, Duluth, Ga.

[73] Assignee: **GTC Properties, Inc.**, Wilmington, Del.

Primary Examiner—Nelson C. Holtje
Attorney, Agent, or Firm—Jones, Day, Reavis & Pogue

[**] Term: **14 Years**

[57] **CLAIM**

The ornamental design for a clock, as shown and described.

[21] Appl. No.: **29/093,914**

DESCRIPTION

[22] Filed: **Sep. 21, 1998**

[51] **LOC (6) Cl.** **10-01**

[52] **U.S. Cl.** **D10/22; D10/126**

[58] **Field of Search** D10/1-40, 122-132;
368/276-277, 285, 316-317

FIG. 1 is a perspective view of the clock of the present invention;

FIG. 2 is a front elevational view of the clock of FIG. 1;

FIG. 3 is a top plan view of the clock of FIG. 1; and,

FIG. 4 is a right side elevational view of the clock of FIG. 1, the left side being a mirror image thereof.

The broken line showing of "clock hands" in all figures and of "back casing structure" in FIGS. 3 and 4 is for environmental purposes only and forms no part of the claimed design.

[56] **References Cited**

U.S. PATENT DOCUMENTS

- D. 100,761 8/1936 Elkonin .
- D. 199,253 9/1964 McLeod D10/17
- D. 230,052 1/1974 Fukumoto .

1 Claim, 2 Drawing Sheets

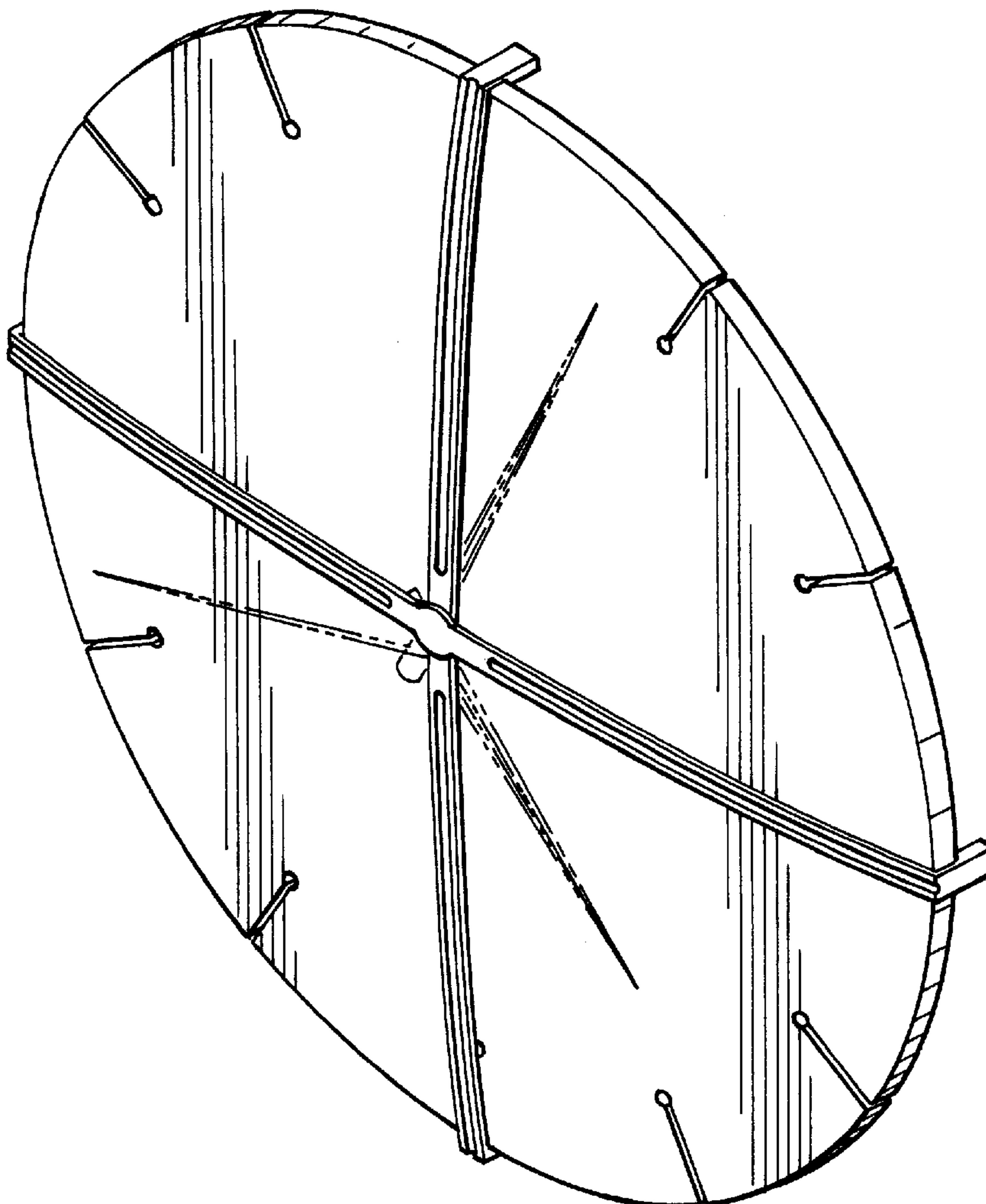


FIG.1

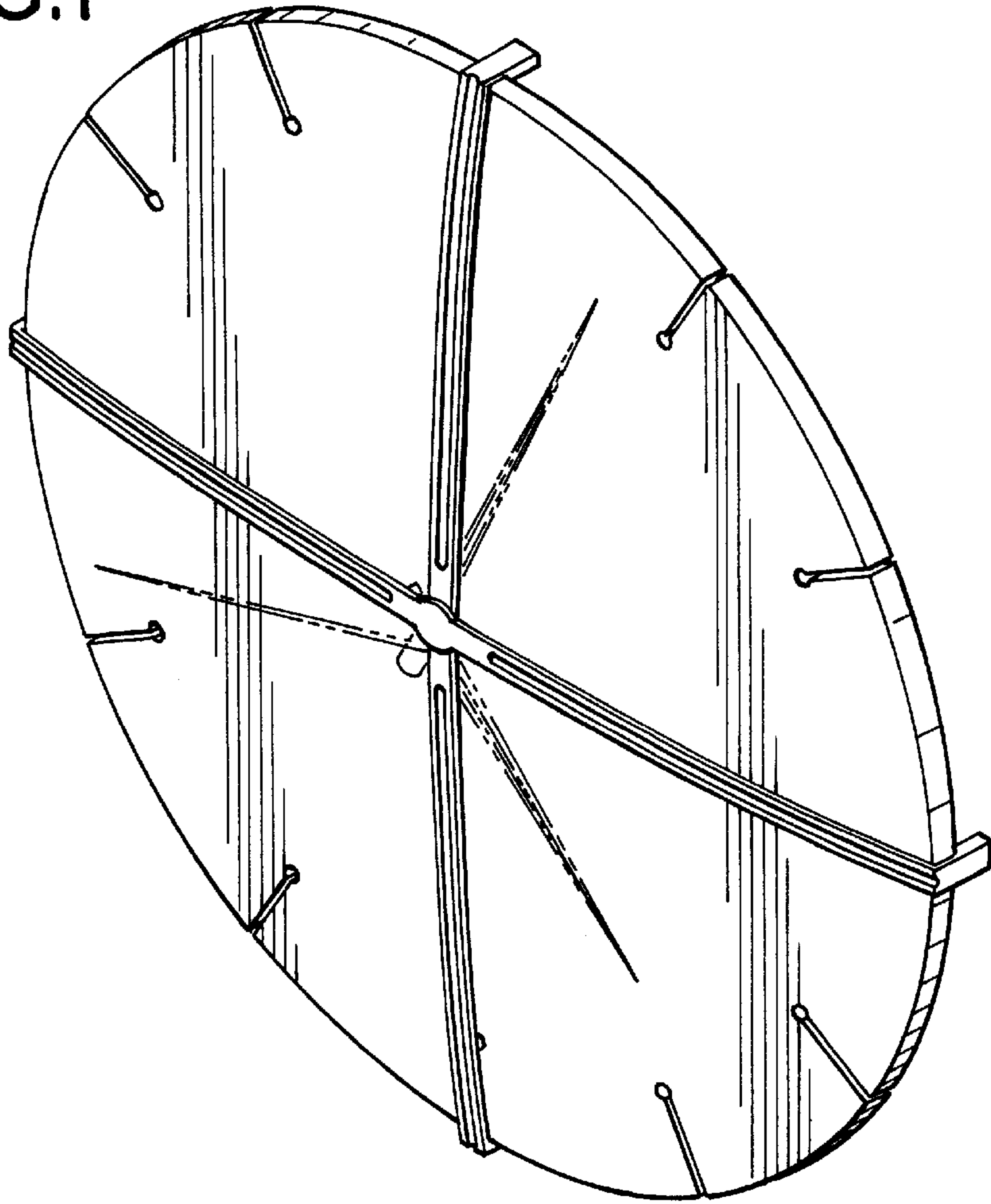
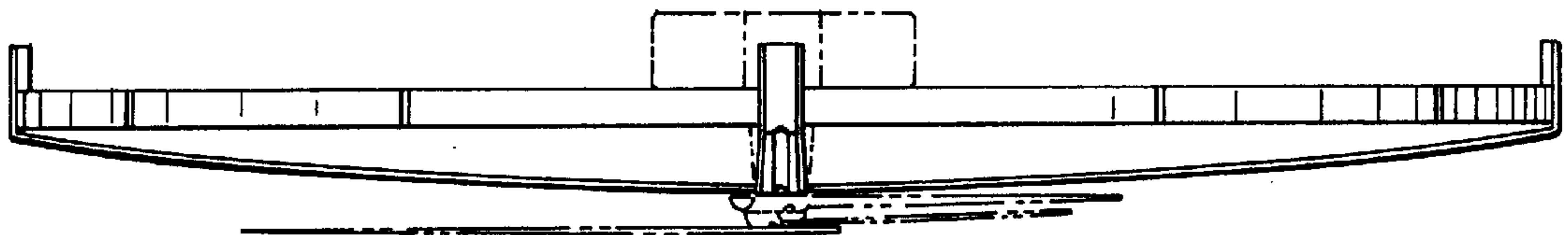


FIG.3



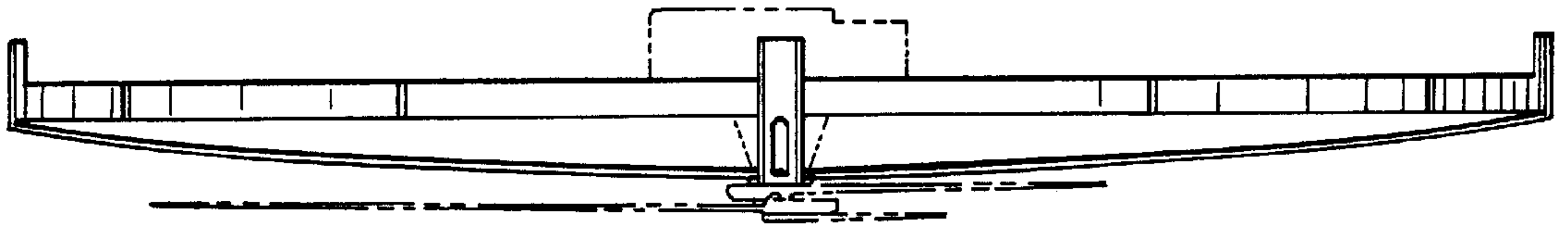


FIG. 4

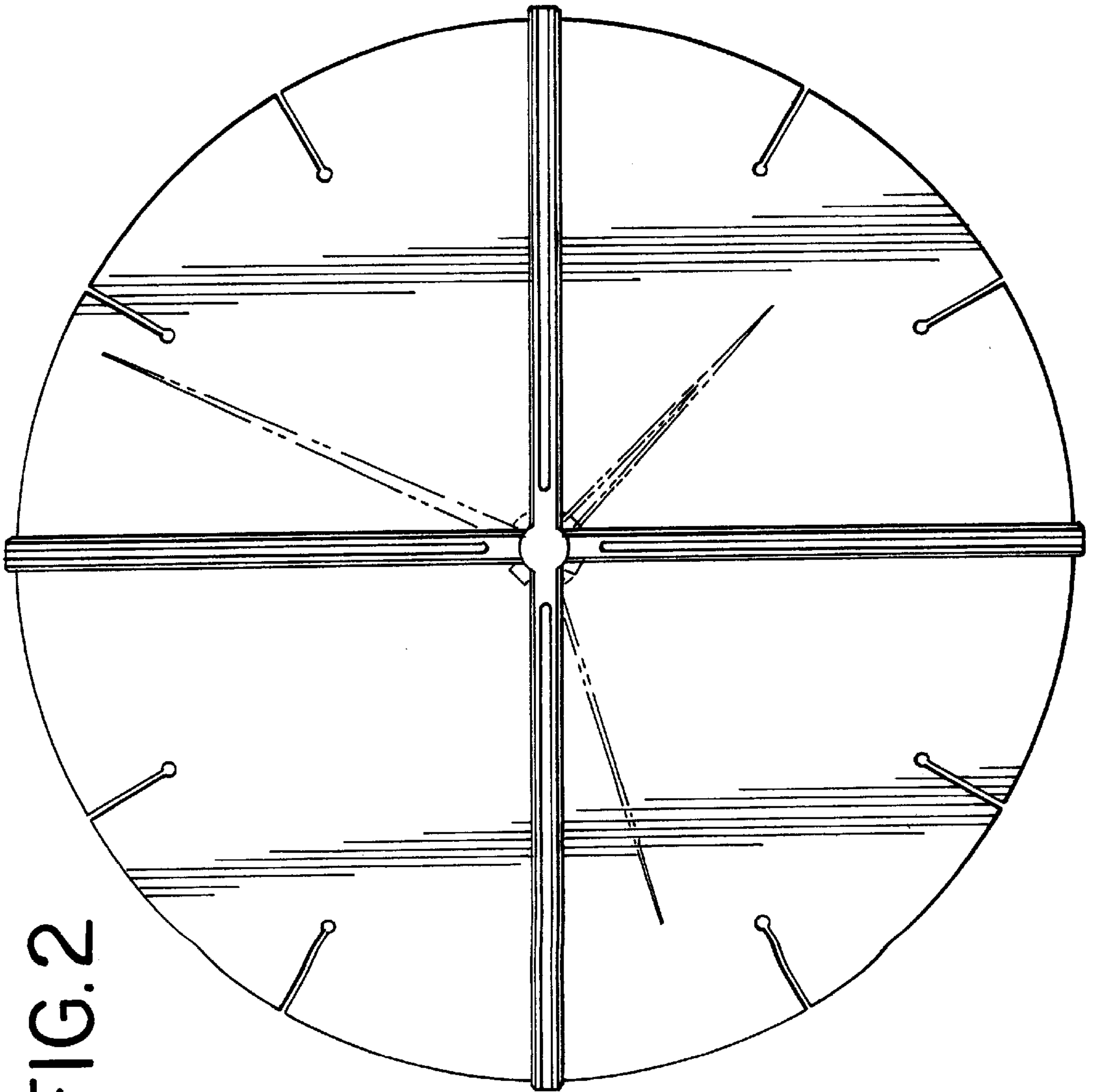


FIG. 2