



US00D413261S

United States Patent [19] Yerich

[11] **Patent Number: Des. 413,261**

[45] **Date of Patent: ** Aug. 31, 1999**

[54] **FLORAL BOX WITH INSERT**

[75] Inventor: **Frank Yerich**, Houston, Tex.

[73] Assignee: **Formtex Plastics Corporation**,
Houston, Tex.

[**] Term: **14 Years**

[21] Appl. No.: **29/064,691**

[22] Filed: **Jan. 9, 1997**

[51] **LOC (6) Cl.** **09-03**

[52] **U.S. Cl.** **D9/426; D9/423; D9/424;**
D11/143

[58] **Field of Search** D11/143, 155,
D11/156; 47/65.5, 66.6, 68, 71, 72, 39,
40, 41.01; 206/423; D7/354, 586, 409;
D9/423, 424, 425, 432, 426; 220/421-4.24;
229/406

[56] **References Cited**

U.S. PATENT DOCUMENTS

D. 123,786	12/1940	Reens	D11/156
D. 202,446	9/1965	Braun	D9/423
D. 264,791	6/1982	Conti	D9/424 X
D. 306,698	3/1990	Garcia	D9/424
D. 360,132	7/1995	Ripley	D9/423
1,568,742	1/1926	Jung	D7/357 X
3,128,030	4/1964	Davies	229/406

OTHER PUBLICATIONS

Thomas Mills Confectioners Machinery and Tools; Catalog U; p. 210; Counter pans FIG. 276, Aug. 1924.

Primary Examiner—Caron D. Veynar
Attorney, Agent, or Firm—Wendy K. Buskop; Bayko Gibson et al.

[57] **CLAIM**

The ornamental design for a floral box with insert, as shown and described.

DESCRIPTION

FIG. 1 is a top perspective view of a floral box with insert showing my new design;
FIG. 2 is a bottom and rear perspective view thereof;
FIG. 3 is a top perspective view of the insert shown separately for ease of illustration;
FIG. 4 is a bottom plan view of the insert shown separately for ease of illustration;
FIG. 5 is a side elevation view of the insert shown separately for ease of illustration, the opposite side view is identical;
FIG. 6 is an end view of the insert thereof, the opposing end being a mirror image of the end view shown; and,
FIG. 7 is an exploded perspective view of the floral box with insert.

The thickness shown is not an appreciable thickness.

1 Claim, 3 Drawing Sheets

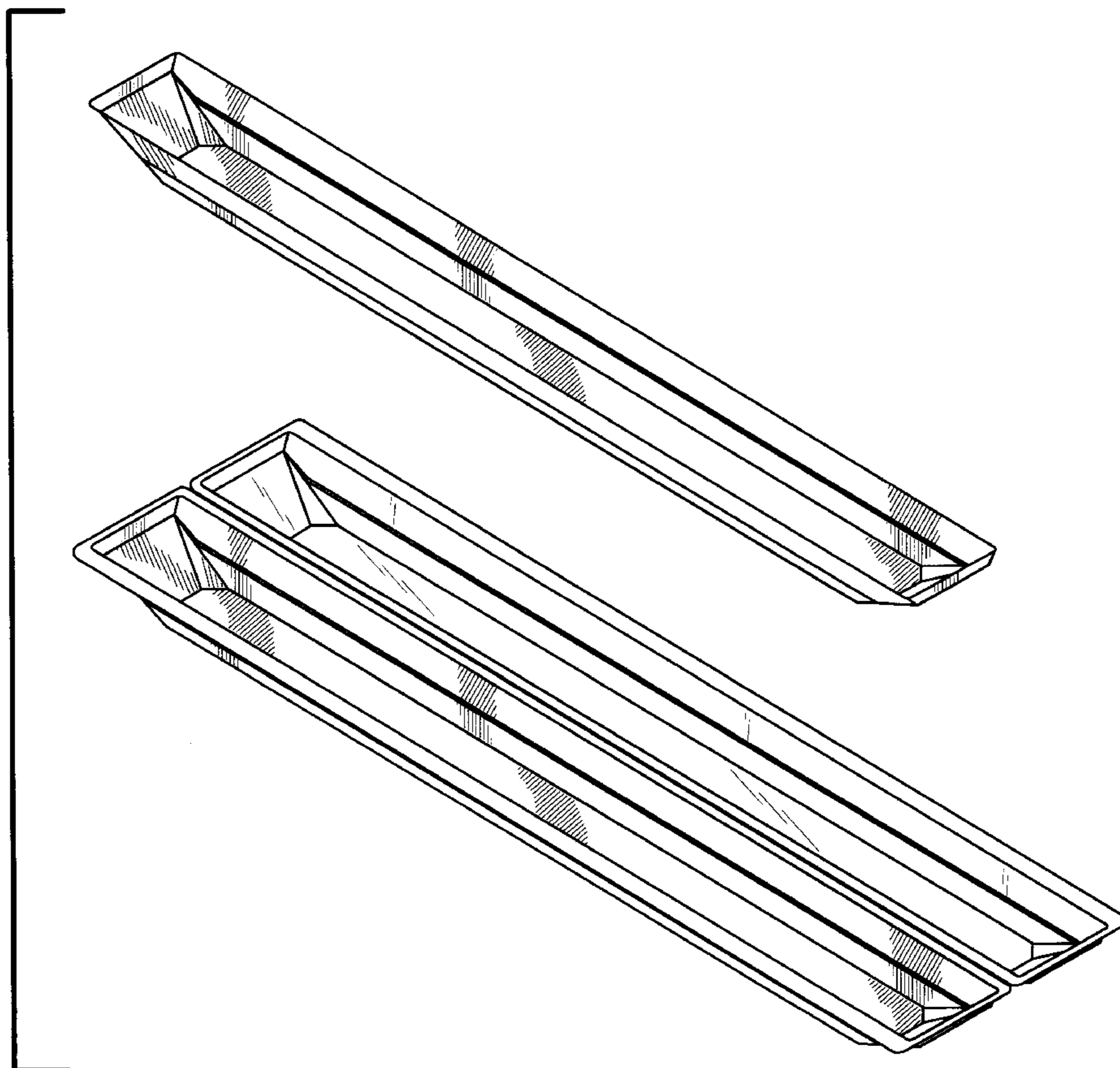


FIG. 1

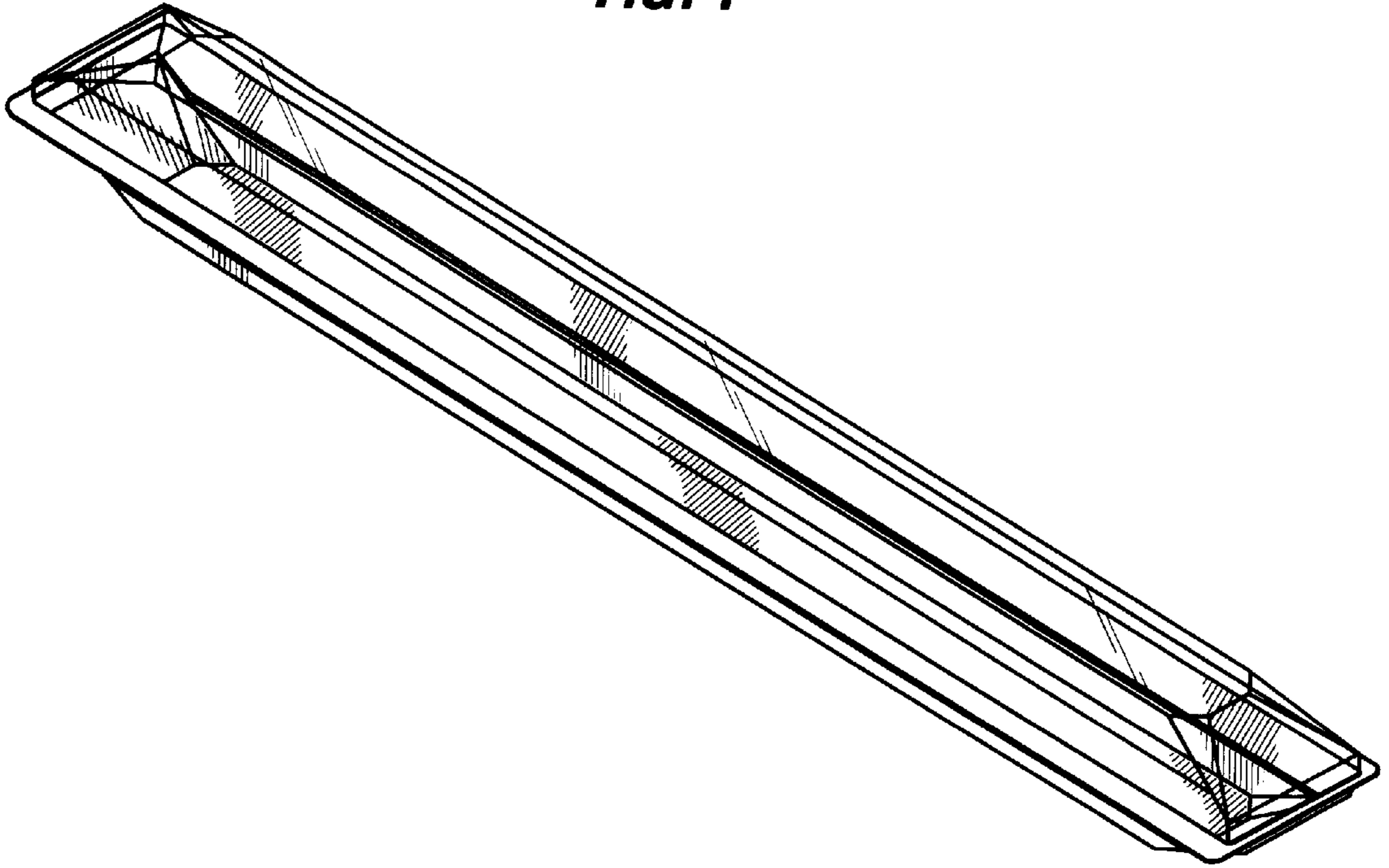


FIG. 2

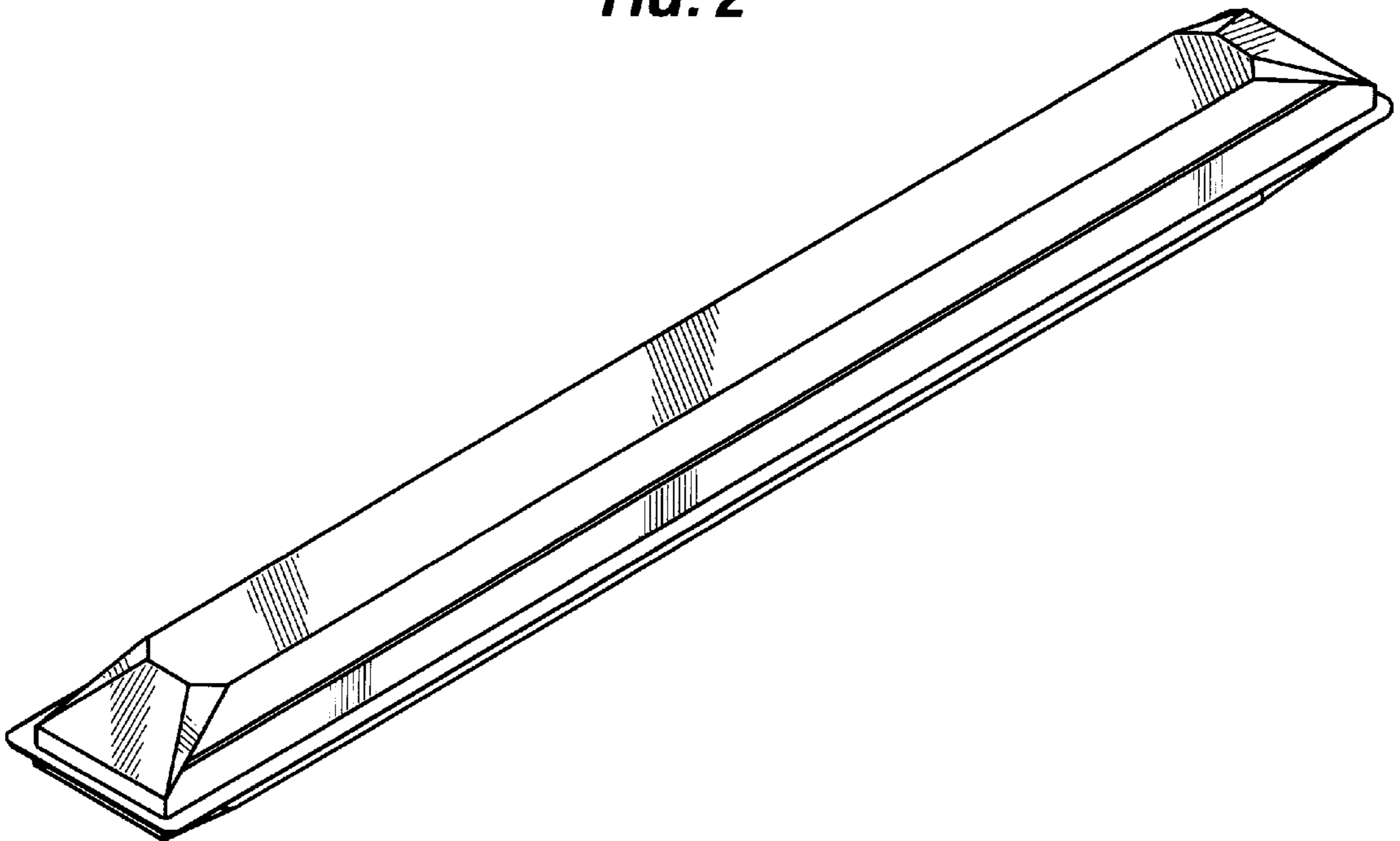


FIG. 3

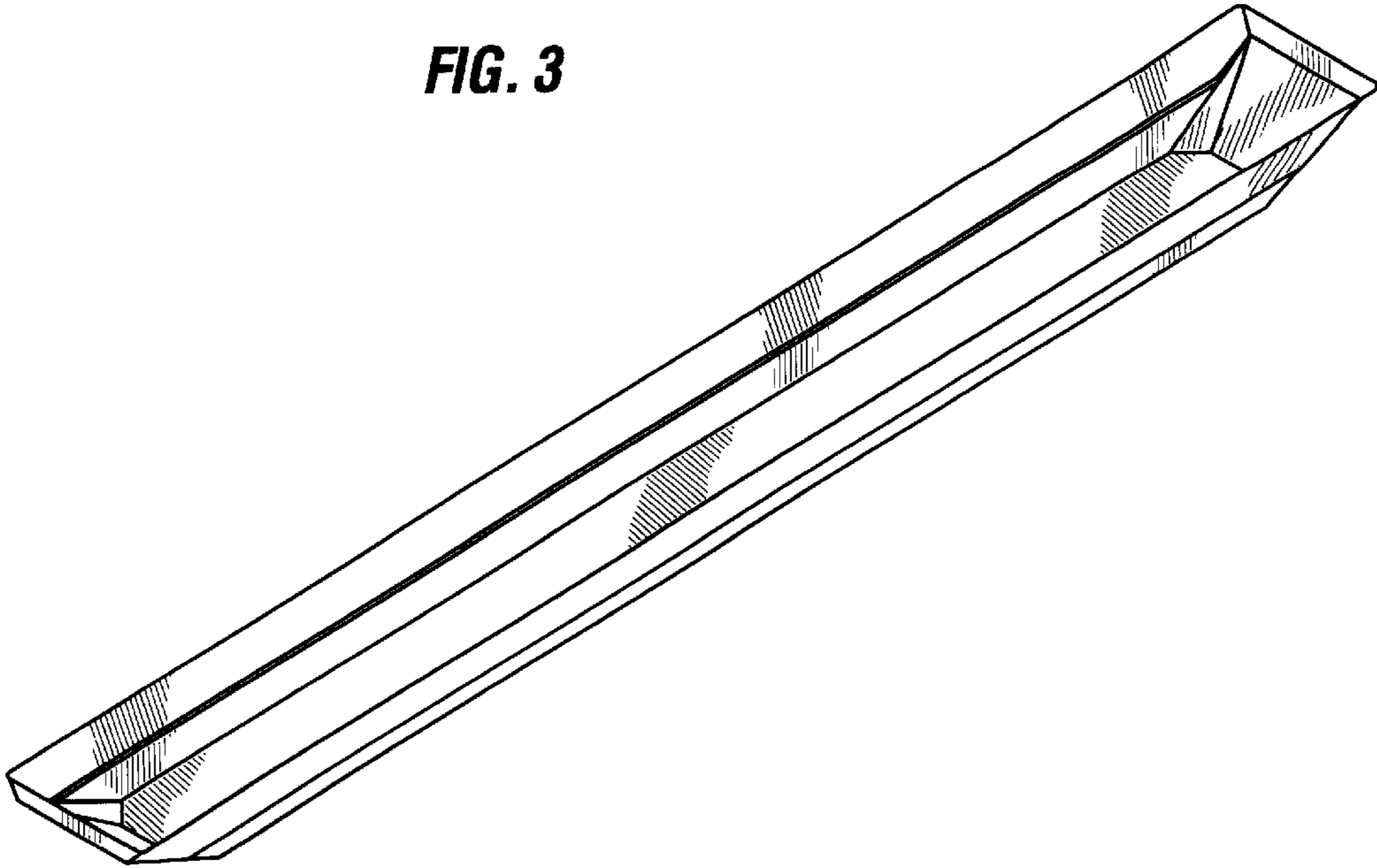


FIG. 4

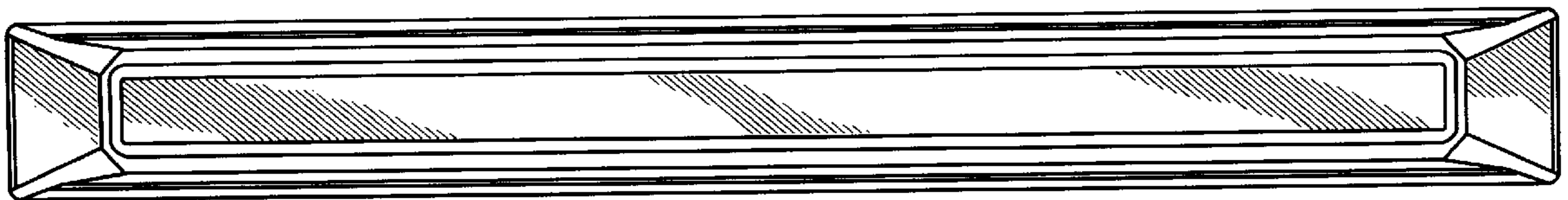


FIG. 5

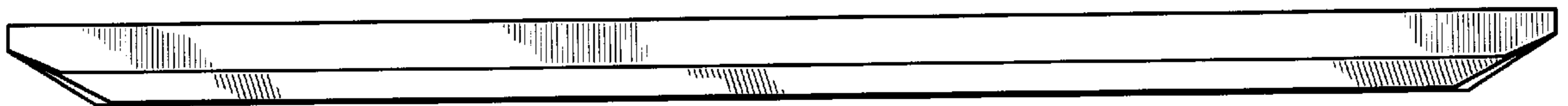


FIG. 6

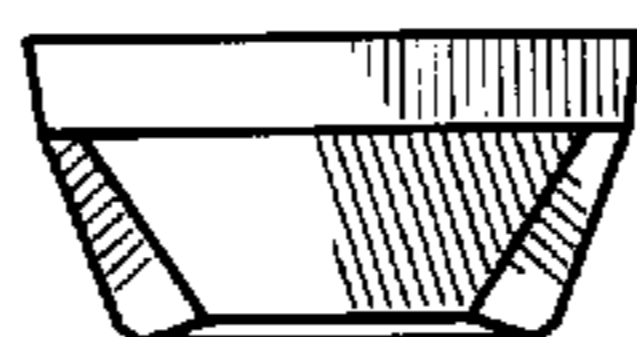


FIG. 7

