



US00D413260S

United States Patent [19]
Vasudeva

[11] **Patent Number: Des. 413,260**

[45] **Date of Patent: ** Aug. 31, 1999**

- [54] **SCREWDRIVER HOLDER**
- [75] Inventor: **Kailash C. Vasudeva**, Waterloo, Canada
- [73] Assignee: **Maxtech Manufacturing Inc.**, Waterloo, Canada
- [**] Term: **14 Years**
- [21] Appl. No.: **29/096,300**
- [22] Filed: **Nov. 9, 1998**
- [51] **LOC (6) Cl.** **09-07**
- [52] **U.S. Cl.** **D9/415**
- [58] **Field of Search** D9/414, 415, 418, D9/337; 206/461-471, 495, 806, 349, 376, 377, 378, 379

- 4,915,231 4/1990 Perbet et al. 206/461
- 5,335,772 8/1994 Chervenak et al. 206/349
- 5,484,056 1/1996 Wood 206/461 X
- 5,785,174 7/1998 Chow 206/461 X

OTHER PUBLICATIONS

Modern Packaging, p. 334, 1963.

Primary Examiner—Prabhakar Deshmukh
Attorney, Agent, or Firm—R. Craig Armstrong

[57] **CLAIM**

The ornamental design for the screwdriver holder, as shown and described.

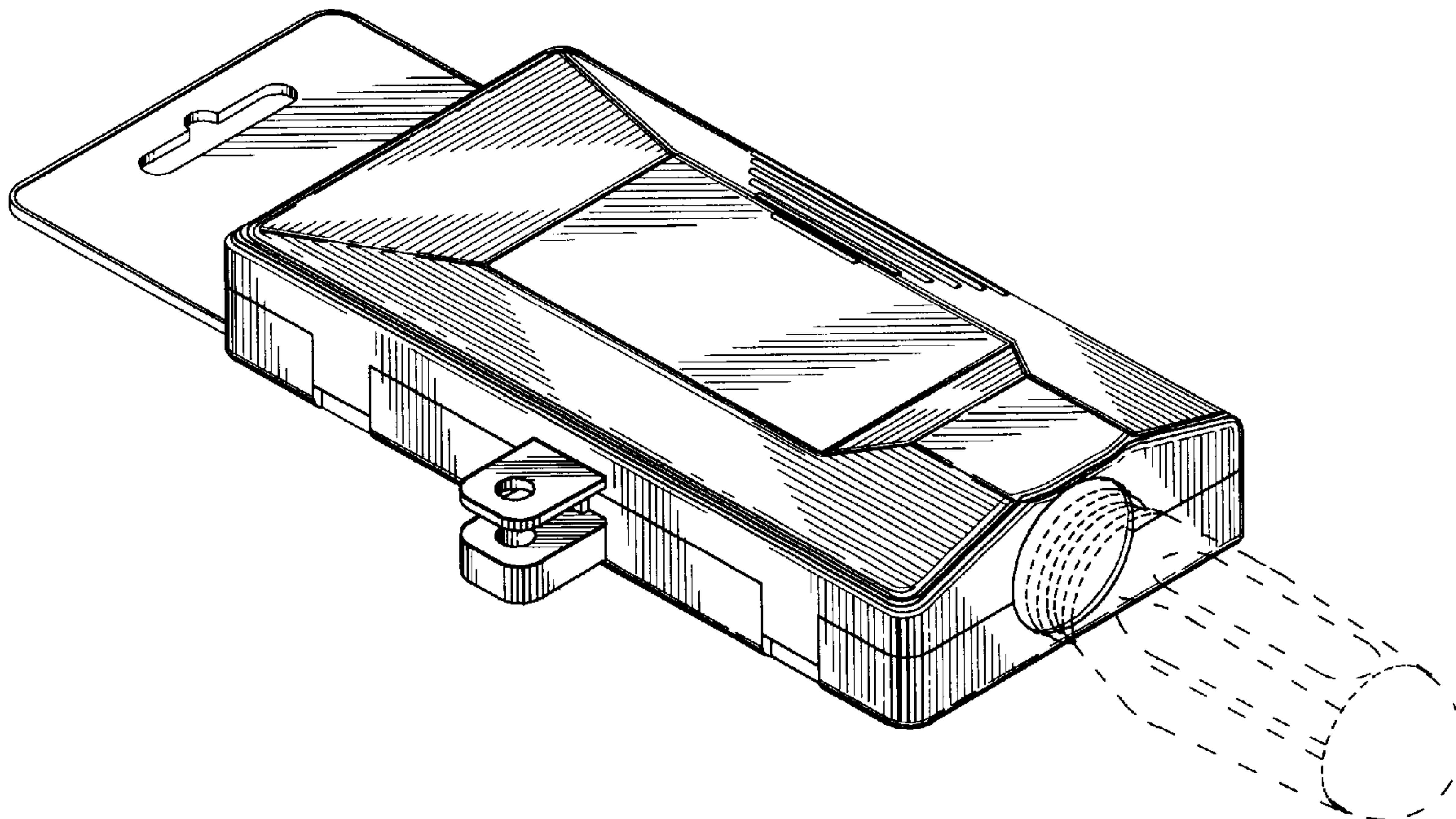
DESCRIPTION

FIG. 1 is a perspective view of a screwdriver holder showing my design;
FIG. 2 is a plan view thereof;
FIG. 3 is a left side view thereof;
FIG. 4 is a top view thereof;
FIG. 5 is a right side view thereof;
FIG. 6 is a rear view thereof; and,
FIG. 7 is a bottom view thereof.

The tool handle depicted by means of broken lines in FIGS. 1, 2, 3, 5, and 6 has been shown for illustrative purposes only and forms no part of the claimed design.

1 Claim, 3 Drawing Sheets

- [56] **References Cited**
- U.S. PATENT DOCUMENTS**
- D. 148,422 1/1948 Kane .
- D. 360,130 7/1995 Lackman et al. D9/415
- D. 366,829 2/1996 Chervenak et al. D9/415
- D. 376,312 12/1996 Cahn et al. D9/415
- 4,269,311 5/1981 Rich .
- 4,450,961 5/1984 Bies et al. 206/349
- 4,811,844 3/1989 Moulding, Jr. et al. 206/461 X
- 4,899,877 2/1990 Kiernan .



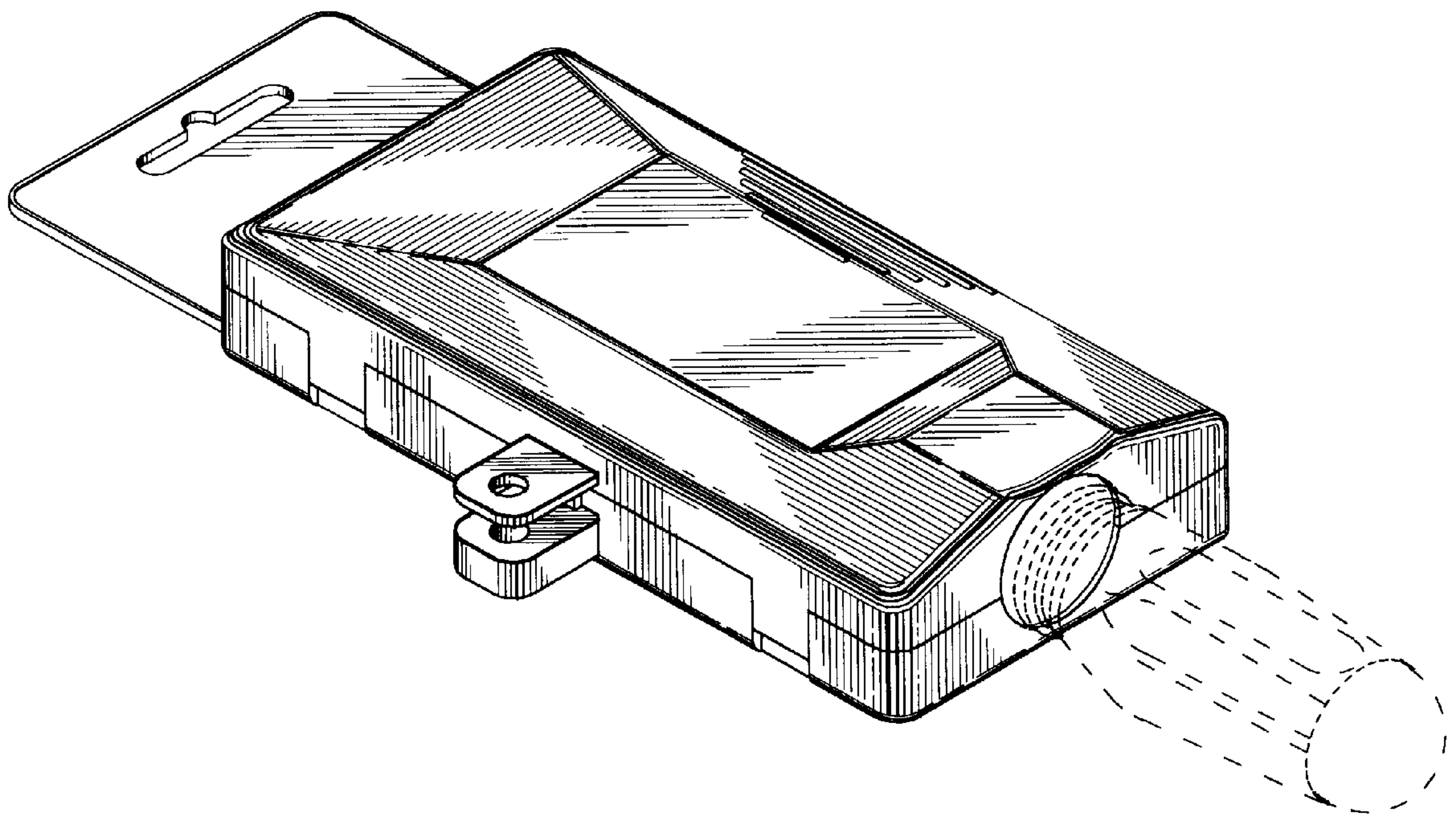


FIG.1

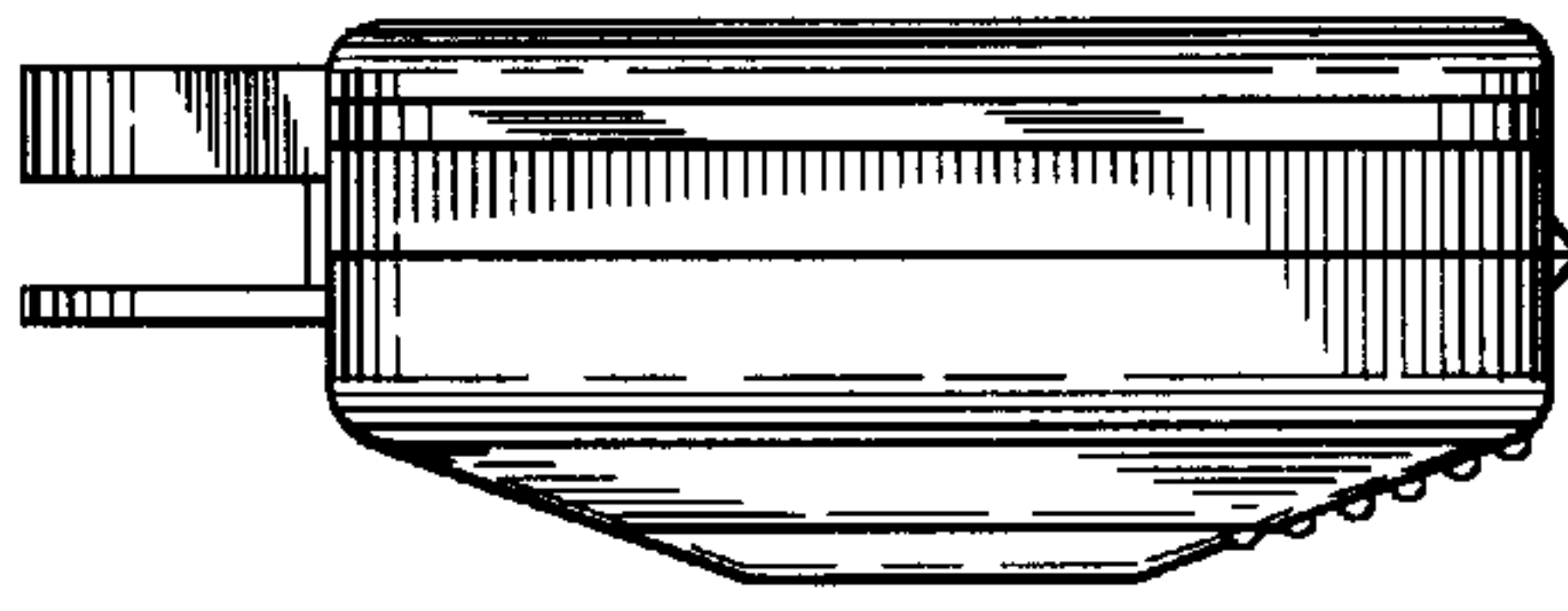


FIG. 4

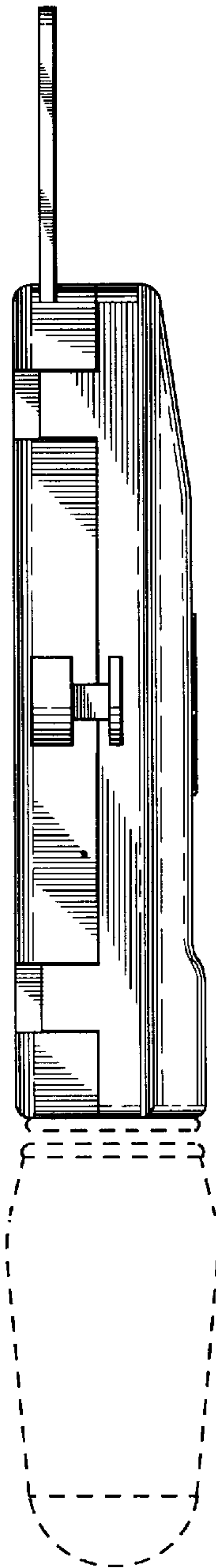


FIG. 3

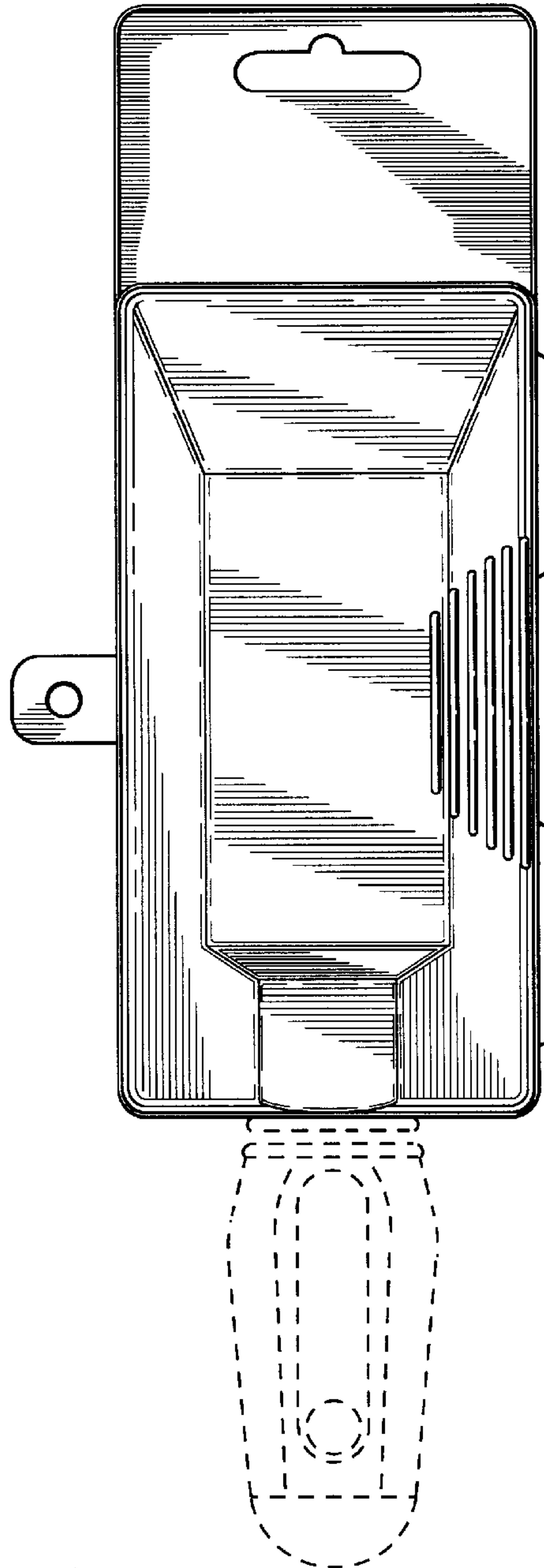


FIG. 2

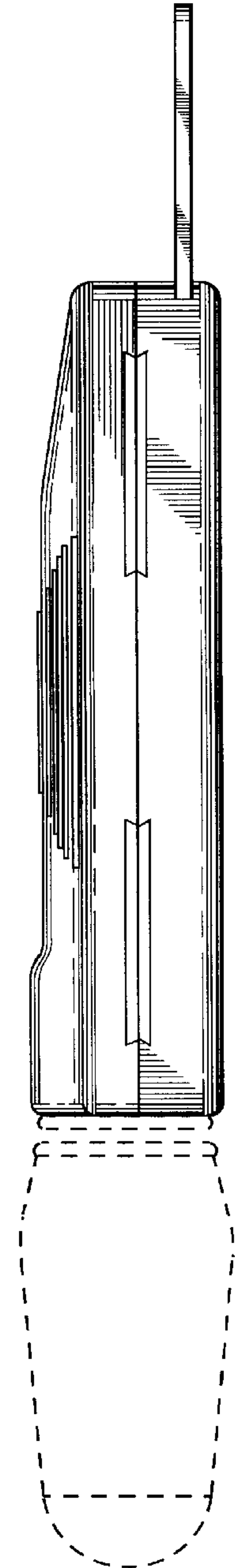


FIG. 5

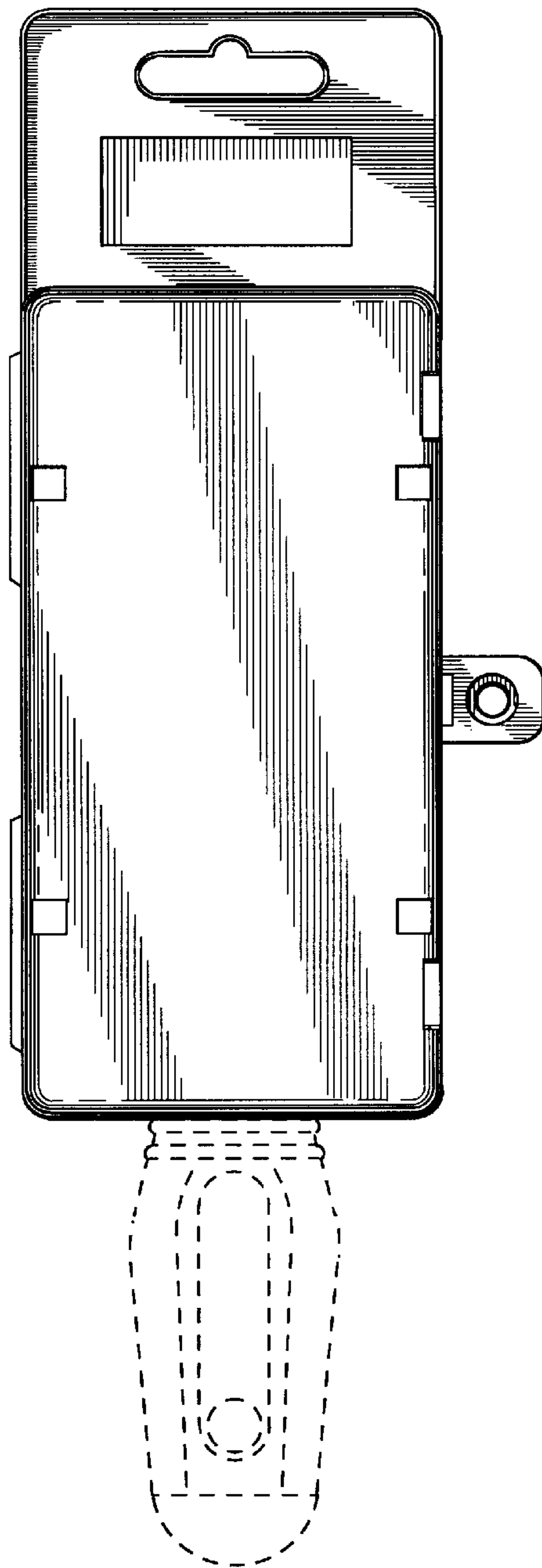


FIG. 6

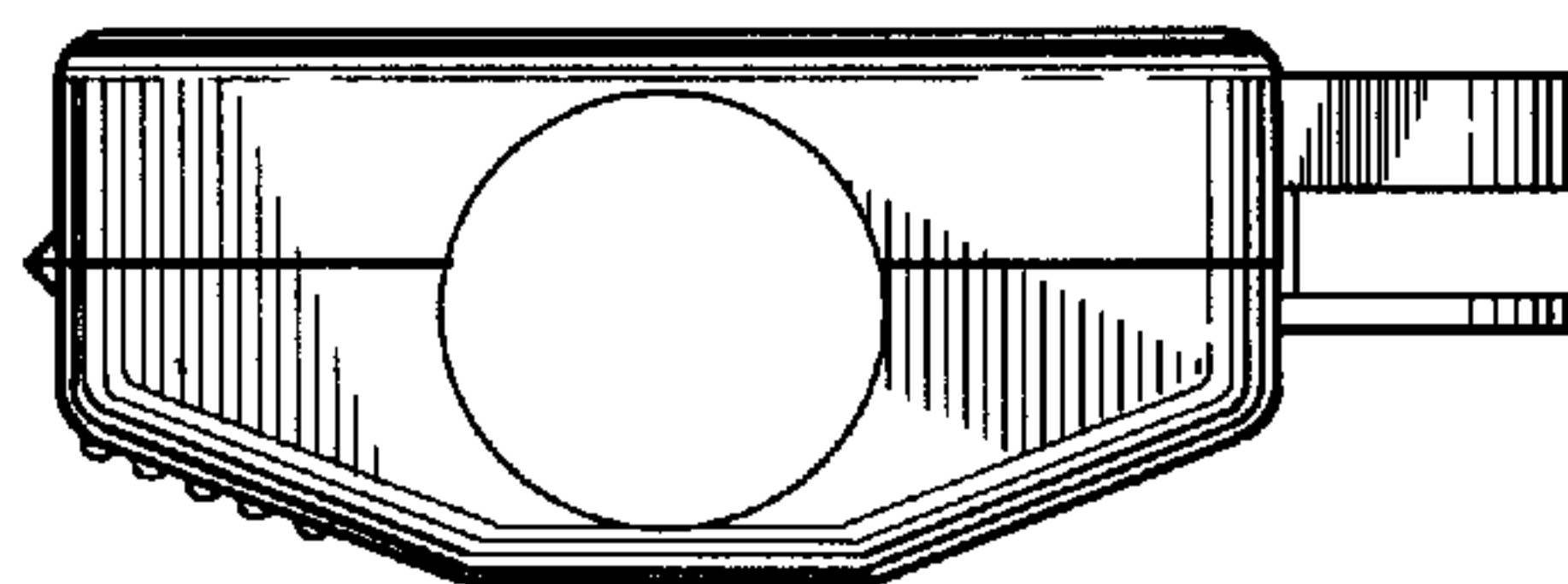


FIG. 7