



US00D413250S

United States Patent [19] Yang

[11] **Patent Number: Des. 413,250**

[45] **Date of Patent: ** Aug. 31, 1999**

[54] **STEERING WHEEL LOCK AND AIR BAG ANTI-THEFT DEVICE**

5,555,753 9/1996 Matlock 70/209
5,566,560 10/1996 LiCausi 70/18
5,595,078 1/1997 Harrell 70/209

[75] Inventor: **Paul Yang, Hsien, Taiwan**

[73] Assignee: **M.S.O. Ltd., Cyprus**

[**] Term: **14 Years**

[21] Appl. No.: **29/092,096**

[22] Filed: **Aug. 12, 1998**

[51] **LOC (6) Cl. 08-07**

[52] **U.S. Cl. D8/331**

[58] **Field of Search D8/330-331, 339,
D8/346; 70/57, 158, 207, 209, 210, 225,
226, 237, 252**

[56] **References Cited**

U.S. PATENT DOCUMENTS

D. 379,754	6/1997	Solow	D8/331
D. 381,255	7/1997	Stanak	D8/346
D. 383,372	9/1997	Winner	D8/346
D. 385,175	10/1997	Somerfield	D8/330
5,199,284	4/1993	Lin	70/209
5,239,849	8/1993	Gallardo	70/209
5,275,030	1/1994	Cole	70/209
5,415,018	5/1995	Ferrante	70/209
5,454,240	10/1995	Whitney	70/209
5,537,847	7/1996	Dalton et al.	70/209
5,540,067	7/1996	Kim	70/209

FOREIGN PATENT DOCUMENTS

680426 8/1939 Germany .
1127524 9/1968 United Kingdom .
WO 92/04211 3/1992 WIPO .

Primary Examiner—Brian N. Vinson
Attorney, Agent, or Firm—Robert C. Kain, Jr.

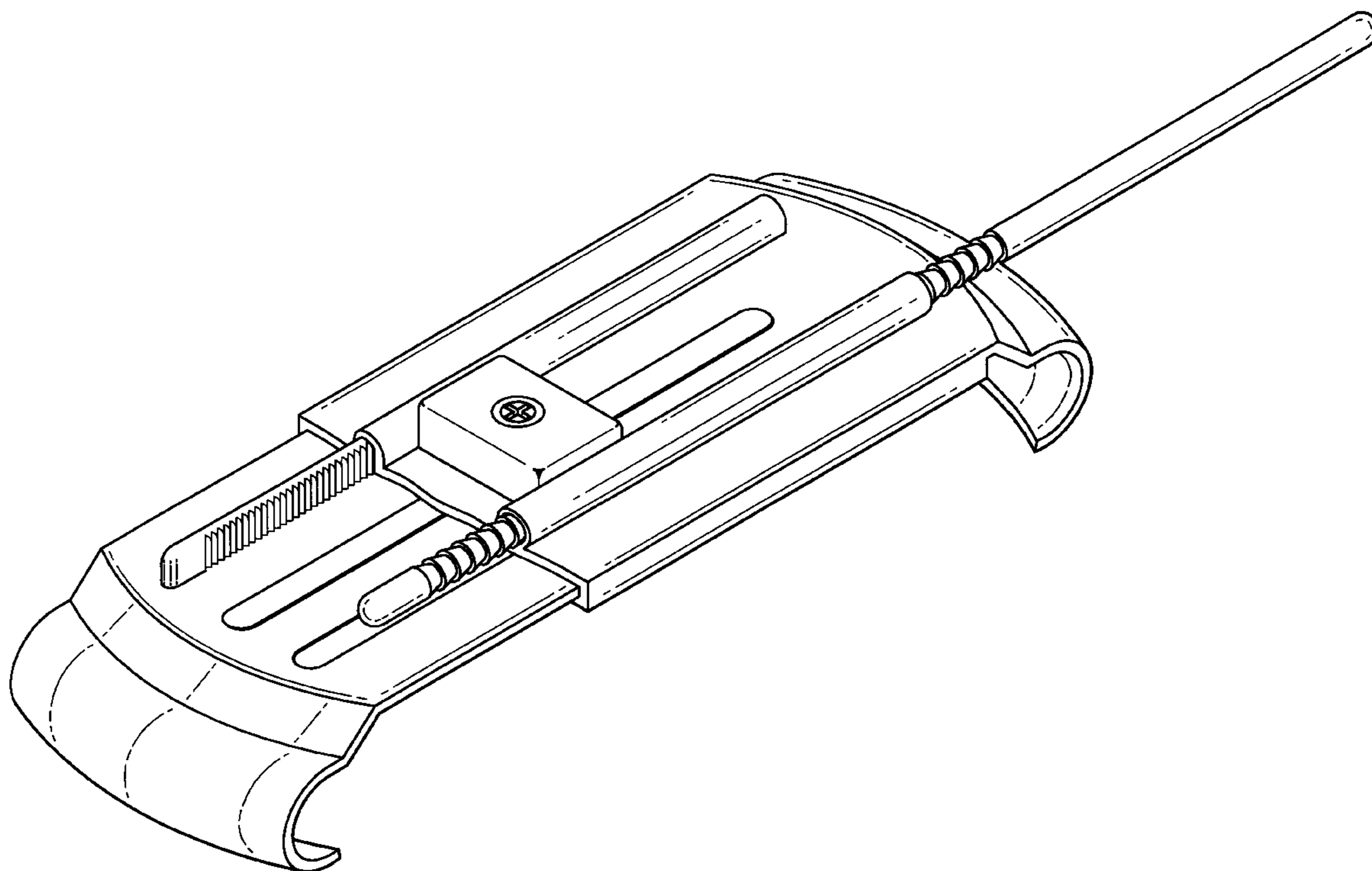
[57] **CLAIM**

We claim the ornamental design for the steering wheel lock and air bag anti-theft device, as shown.

DESCRIPTION

FIG. 1 is a perspective top view of the steering wheel lock and air bag anti-theft device.
FIG. 2 is a perspective bottom view of the steering wheel lock and air bag anti-theft device.
FIG. 3 is a top view of the device shown in FIG. 1.
FIG. 4 is a front elevational view of the device shown in FIG. 1.
FIG. 5 is a rear elevational view of the device as shown in FIG. 1.
FIG. 6 is a right side view of the device shown in FIG. 1.
FIG. 7 is a left side view of the device shown in FIG. 1, and, FIG. 8 is a bottom view of the device shown in FIG. 1.

1 Claim, 3 Drawing Sheets



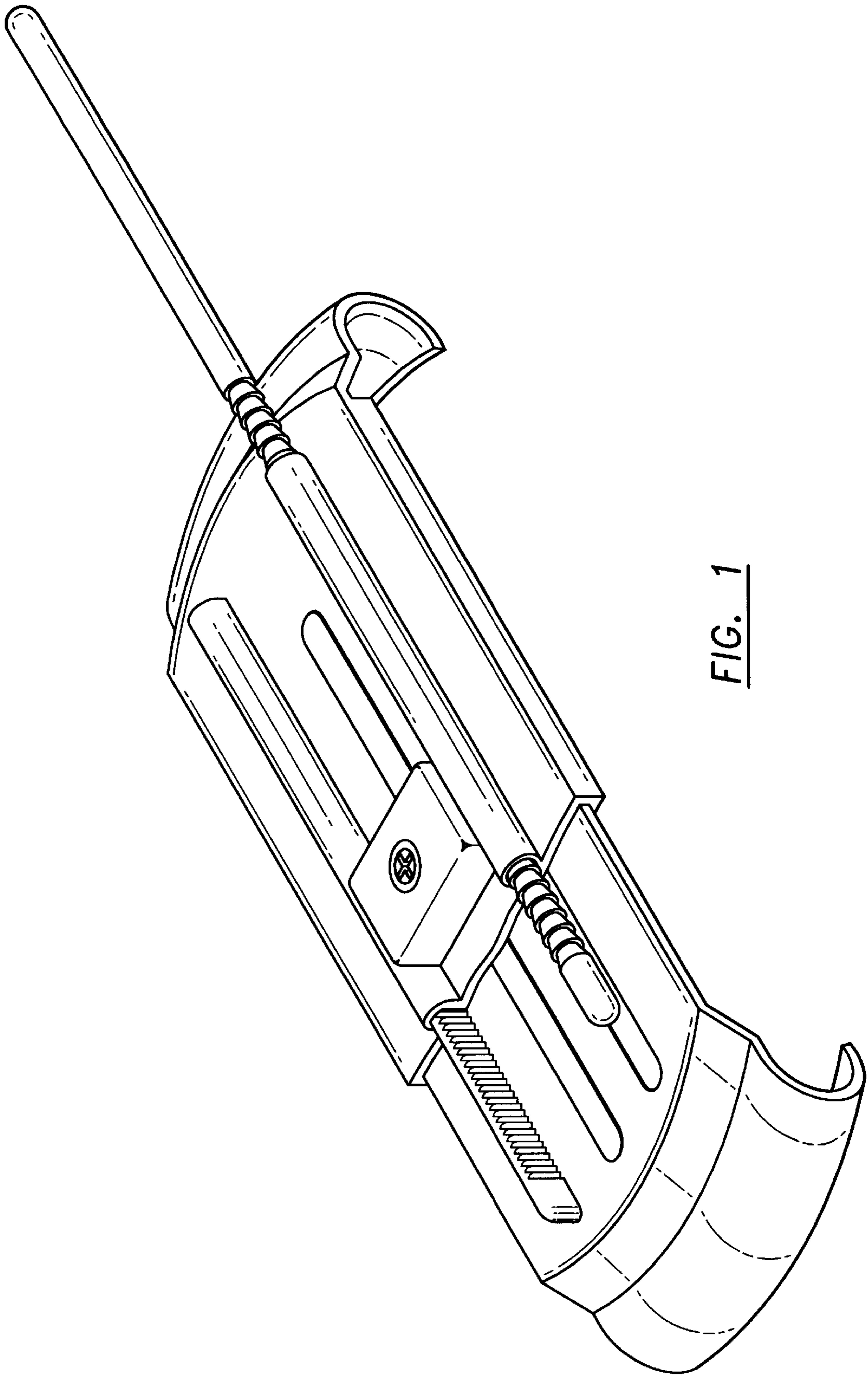


FIG. 1

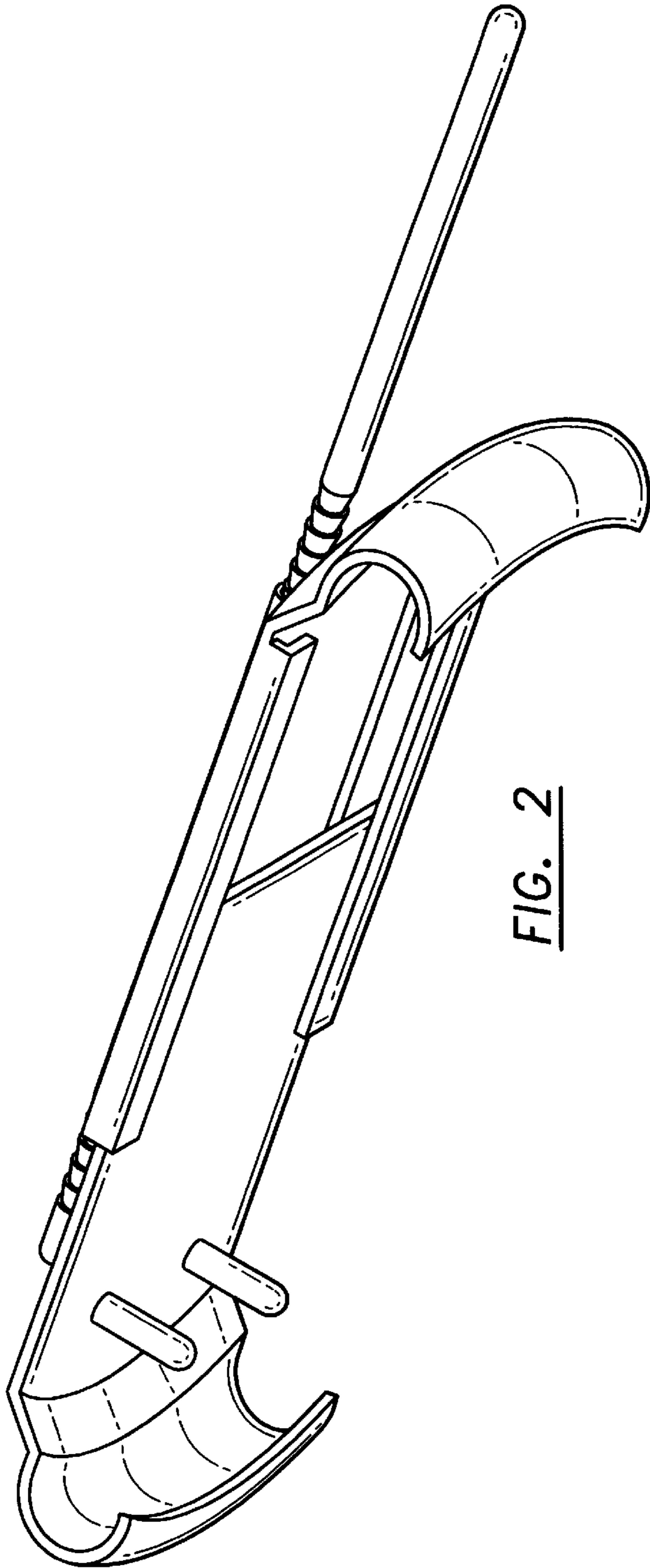


FIG. 2

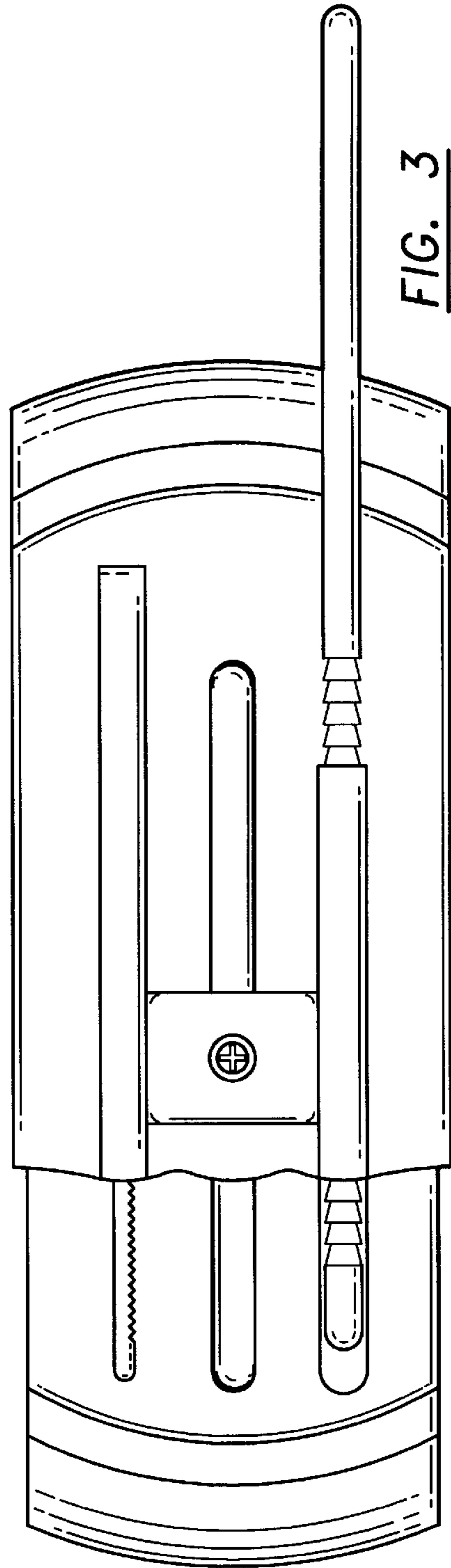


FIG. 3

