



US00D413247S

# United States Patent [19] Schmidt

[11] Patent Number: Des. 413,247

[45] Date of Patent: \*\* Aug. 31, 1999

[54] UTILITY KNIFE

[75] Inventor: **G. Gerry Schmidt**, Newport Beach, Calif.

[73] Assignee: **Pacific Handy Cutter, Inc.**, Costa Mesa, Calif.

[\*\*] Term: **14 Years**

[21] Appl. No.: **29/091,739**

[22] Filed: **Aug. 5, 1998**

[51] LOC (6) Cl. .... **08-03**

[52] U.S. Cl. .... **D8/99**

[58] Field of Search ..... D8/98, 99, 107;  
30/162, 320, 329, 335, 339

[56] **References Cited**

**U.S. PATENT DOCUMENTS**

D. 248,538	7/1978	Richards .	
D. 319,378	8/1991	Wilcox .....	D8/99
D. 336,029	6/1993	Ragland et al. ....	D8/99
336,112	2/1886	Holdsworth .	
D. 348,383	7/1994	Perkins .....	D8/99
D. 349,227	8/1994	Ragland et al. ....	D8/99
D. 386,959	12/1997	Okada .....	D8/99
D. 395,219	6/1998	Ghavami .....	D8/99
1,496,927	6/1924	Evers .....	30/162
1,906,573	5/1933	Gits .....	30/162
1,960,130	5/1934	Trubel .....	30/162
2,095,164	10/1937	Babb .....	30/2
2,578,896	12/1951	Moore .....	30/162
2,737,069	3/1956	Weindel .....	30/162
2,754,584	7/1956	Ferguson .....	30/162
2,776,484	1/1957	Resner .....	30/287
2,840,903	7/1958	Christensen .....	30/162
2,951,482	9/1960	Sullivan .....	128/317
2,960,769	11/1960	Matwijcow .....	30/340
3,178,812	4/1965	Lurie .....	30/2
3,192,624	7/1965	Gringer .....	30/162
3,195,231	7/1965	Lightburn .....	30/2
3,406,447	10/1968	Travlos .	
3,525,152	8/1970	Fattori et al. ....	30/2
3,577,637	5/1971	Braginetz .....	30/162

3,621,570	11/1971	Kolde et al. ....	30/162
3,667,122	6/1972	Black .	
3,857,176	12/1974	Quenot .....	30/162
3,879,847	4/1975	Roll .....	30/162
3,906,627	9/1975	Manning .....	30/162
3,927,473	12/1975	Braginetz .....	30/125
4,005,525	2/1977	Gringer .....	30/125
4,089,112	5/1978	Richards .	
4,167,810	9/1979	Gilbert .....	30/2
4,389,776	6/1983	Okada .....	30/162
4,442,595	4/1984	Sharrow et al. ....	30/2
4,509,260	4/1985	Gringer .....	30/162
4,570,342	2/1986	Baum .....	30/162
4,586,256	5/1986	Weimann .....	30/162
4,604,805	8/1986	Krieger .....	30/330
4,675,996	6/1987	Dubuque .....	30/2
4,744,146	5/1988	Schmidt .....	30/162
4,761,882	8/1988	Silverstein .....	30/162
4,825,552	5/1989	Bendickson .....	30/342
4,939,839	7/1990	Gorst .....	30/125
5,022,156	6/1991	Kallens et al. ....	30/125
5,054,198	10/1991	Gmoch .....	30/2
5,386,632	2/1995	Schmidt .....	30/125
5,613,300	3/1997	Schmidt .....	30/2

**FOREIGN PATENT DOCUMENTS**

531248	8/1931	Germany .....	69/21
--------	--------	---------------	-------

*Primary Examiner*—Philip S. Hyder  
*Attorney, Agent, or Firm*—Oppenheimer Wolff & Donnelly LLP

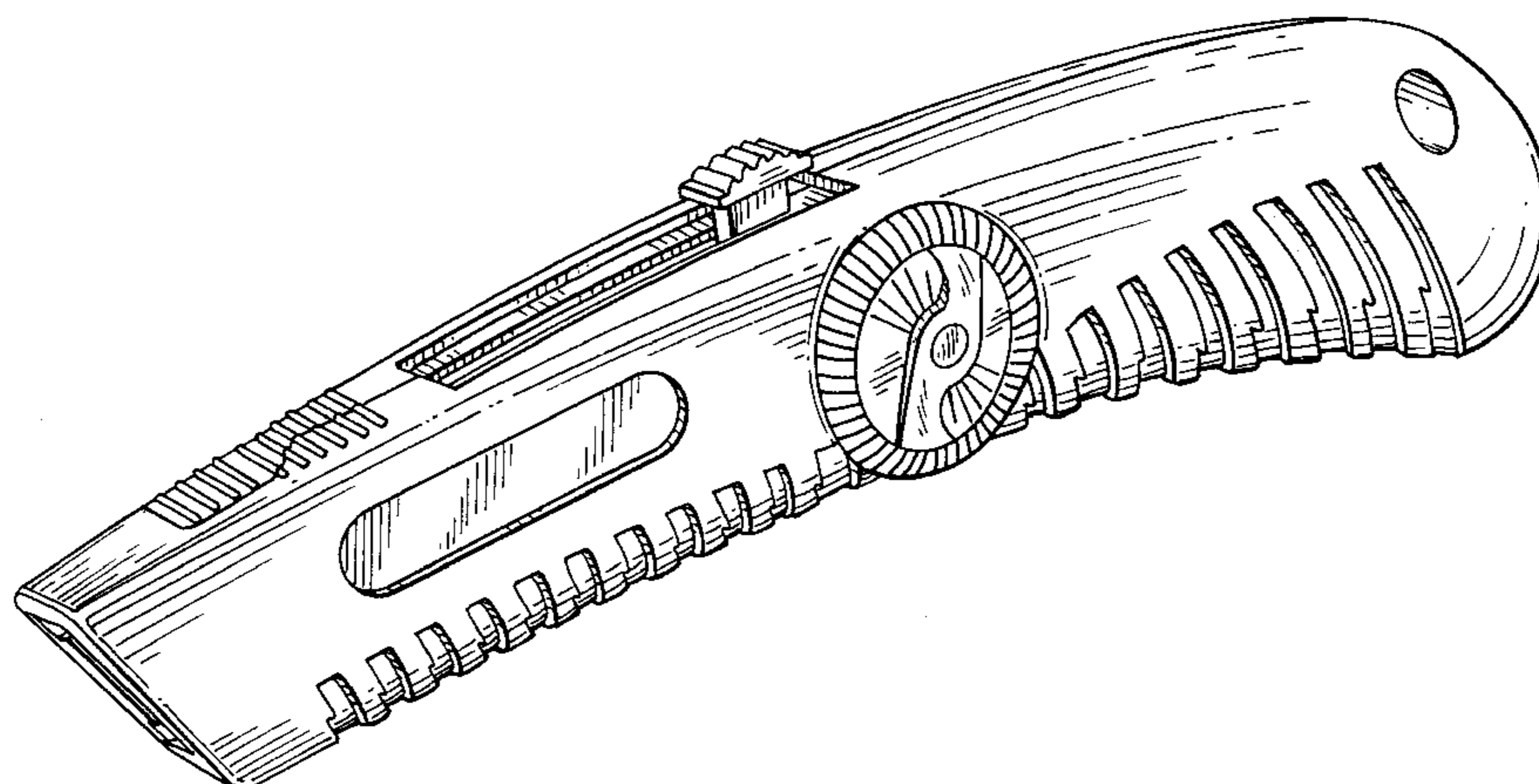
[57] **CLAIM**

The ornamental design for a utility knife, as shown.

**DESCRIPTION**

FIG. 1 is a front, top, left side perspective view; FIG. 2 is a right side elevational view thereof; FIG. 3 is a left side elevational view thereof; FIG. 4 is a top plan view thereof; FIG. 5 is a bottom plan view thereof; FIG. 6 is a front elevational view thereof; and, FIG. 7 is a rear elevational view.

**1 Claim, 3 Drawing Sheets**



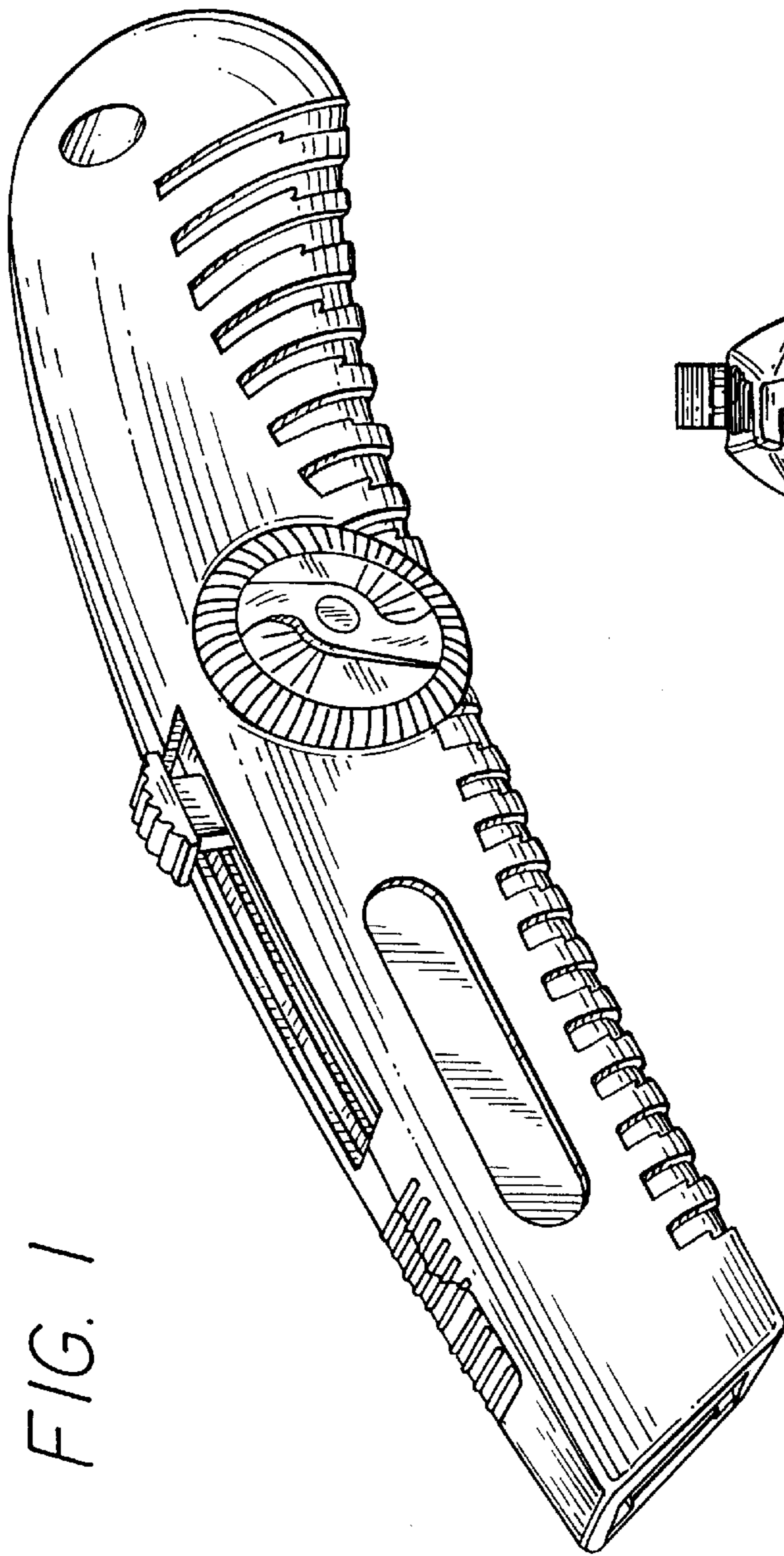


FIG. 1

FIG. 7

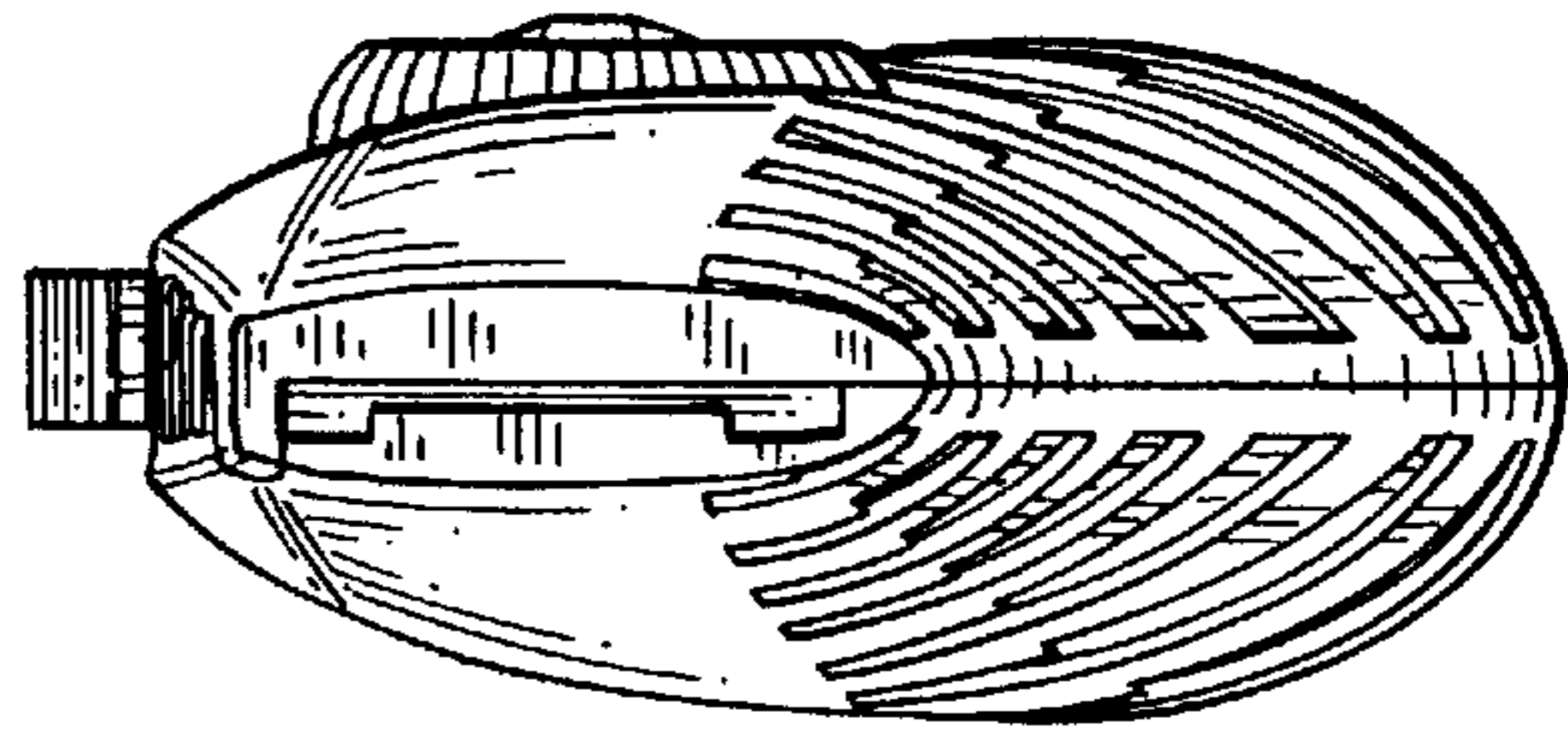
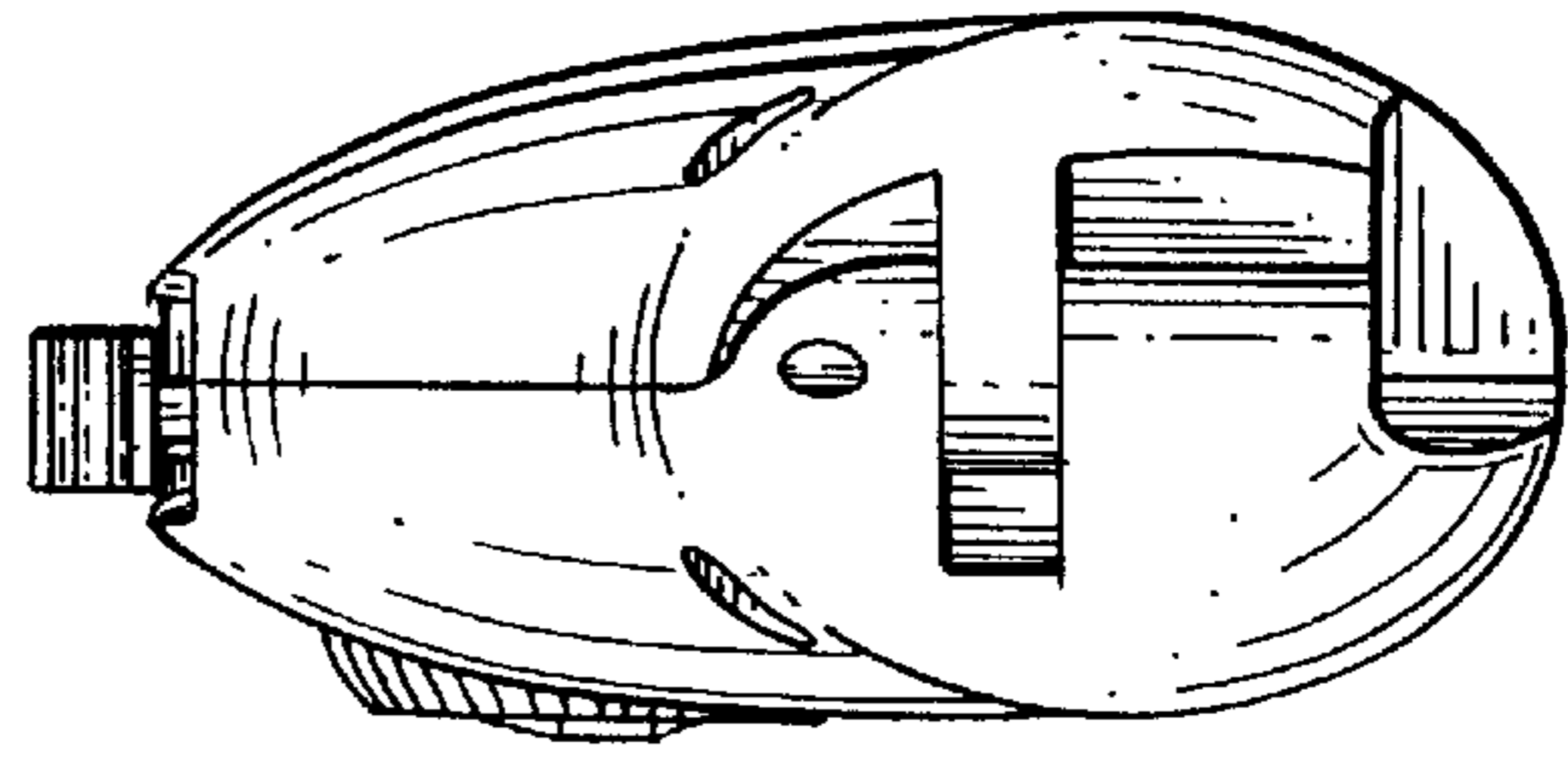


FIG. 6



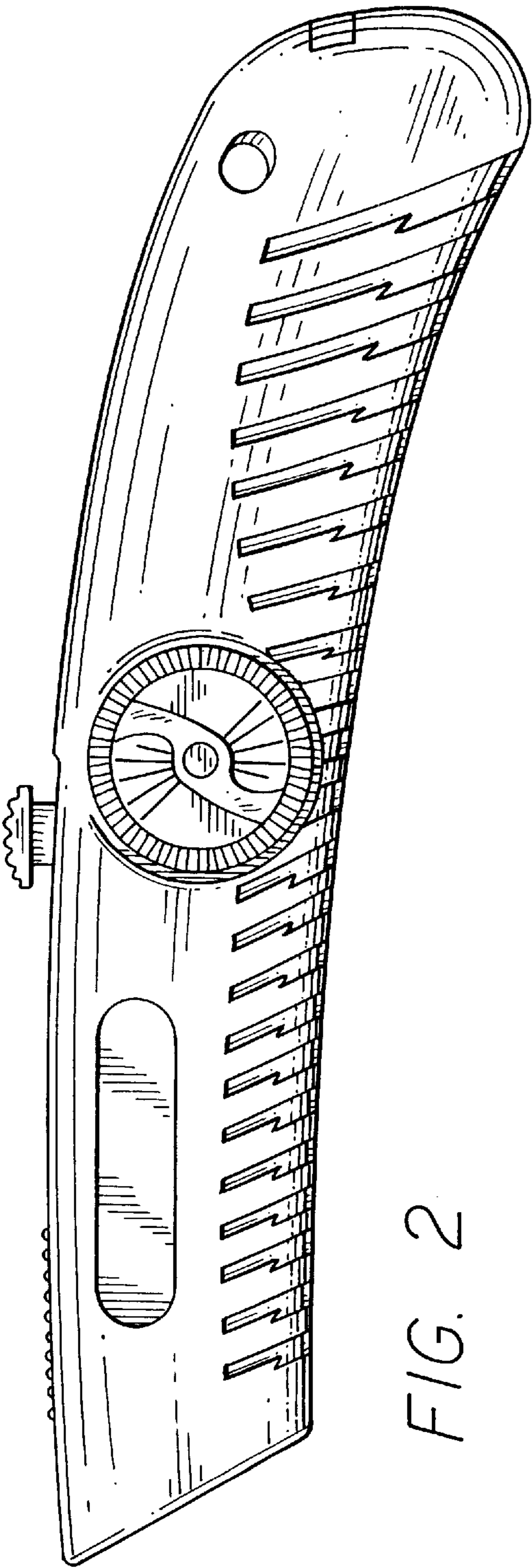


FIG. 2

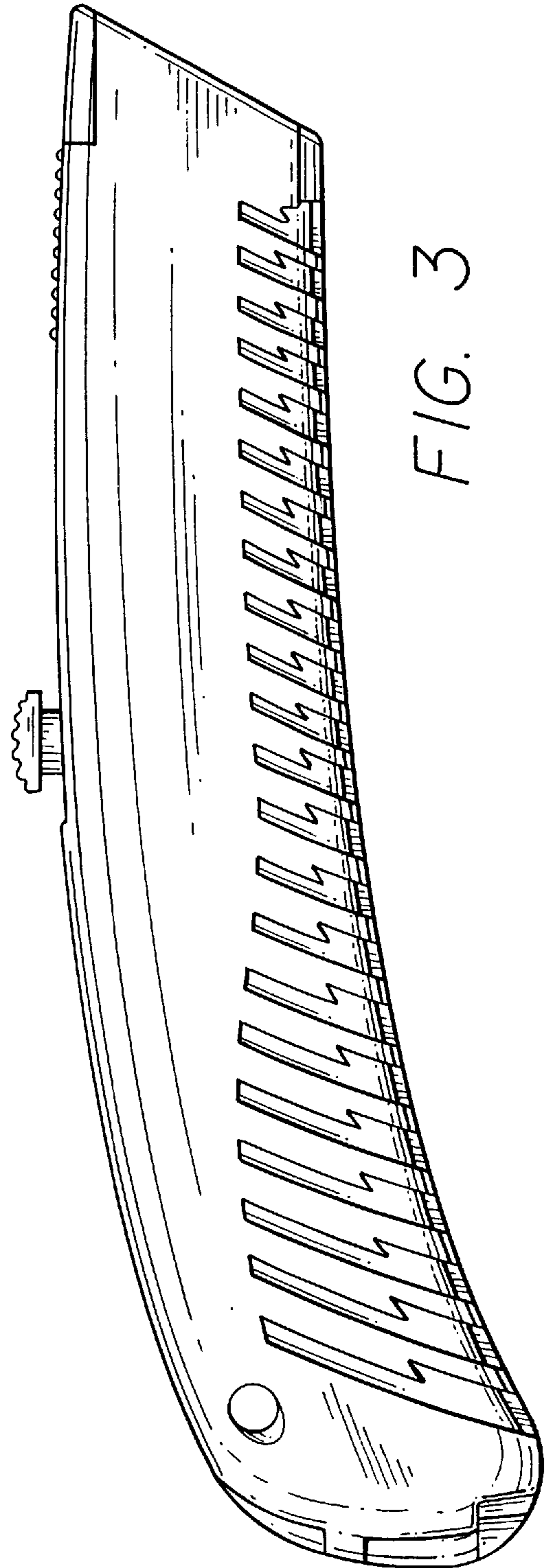


FIG. 3

FIG. 4

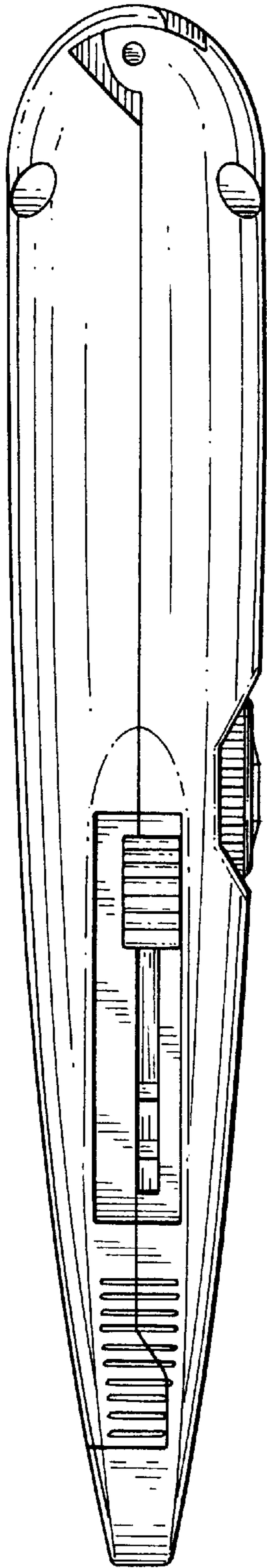


FIG. 5

