



US00D413245S

United States Patent [19] Robson

[11] Patent Number: **Des. 413,245**

[45] Date of Patent: **** Aug. 31, 1999**

[54] SANDER HEAD

[75] Inventor: **Nigel Robson**, Gilesgate, United Kingdom

[73] Assignee: **Black & Decker Inc.**, Newark, Del.

[**] Term: **14 Years**

[21] Appl. No.: **29/090,346**

[22] Filed: **Jul. 7, 1998**

[30] Foreign Application Priority Data

Jan. 13, 1998 [GB] United Kingdom 2071613

[51] LOC (6) Cl. **08-01**

[52] U.S. Cl. **D8/70; D8/62**

[58] Field of Search D8/62, 70; 451/355-358, 451/490, 491, 521, 527, 342-344

[56] References Cited

U.S. PATENT DOCUMENTS

- D. 329,166 9/1992 Doggett .
- D. 333,767 3/1993 Sasaki et al. .
- D. 339,276 9/1993 Matsuoka et al. .
- D. 340,395 10/1993 Tanaka .
- D. 362,783 10/1995 Cruz .
- D. 367,400 2/1996 Viemeister et al. .

- D. 380,132 6/1997 Matsunaga et al. .
- 3,973,179 8/1976 Weber et al. .
- 5,558,569 9/1996 Lee 451/356
- 5,839,949 11/1998 Martin et al. 451/356

OTHER PUBLICATIONS

Best Catalog 1989/90 showing a Sunbeam® 6-Speed Mixmaster Hand Mixer and a Sunbeam® 4-Speed Mixmaster Hand Mixer.

Primary Examiner—Antoine Duval Davis
Attorney, Agent, or Firm—Bruce S. Shapiro; Dennis A. Dearing; John D. Del Ponti

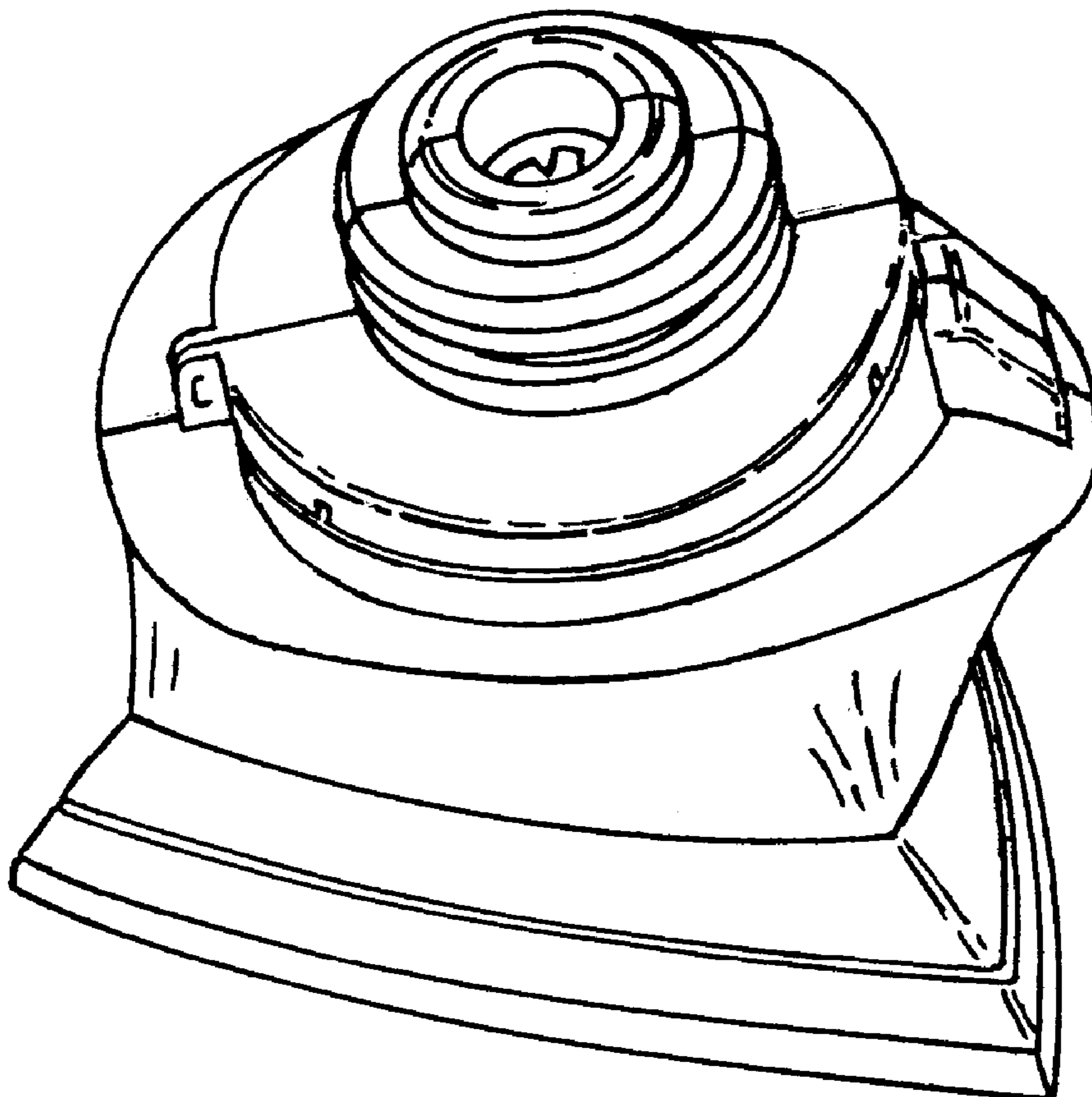
[57] CLAIM

The ornamental design for a sander head, as shown and described.

DESCRIPTION

FIG. 1 is a front perspective view of a sander head showing my new design.
 FIG. 2 is a right side elevational view thereof.
 FIG. 3 is a left side elevational view thereof.
 FIG. 4 is a top plan view thereof.
 FIG. 5 is a bottom plan view thereof.
 FIG. 6 is a front elevational view thereof; and,
 FIG. 7 is a rear elevational view thereof.

1 Claim, 2 Drawing Sheets



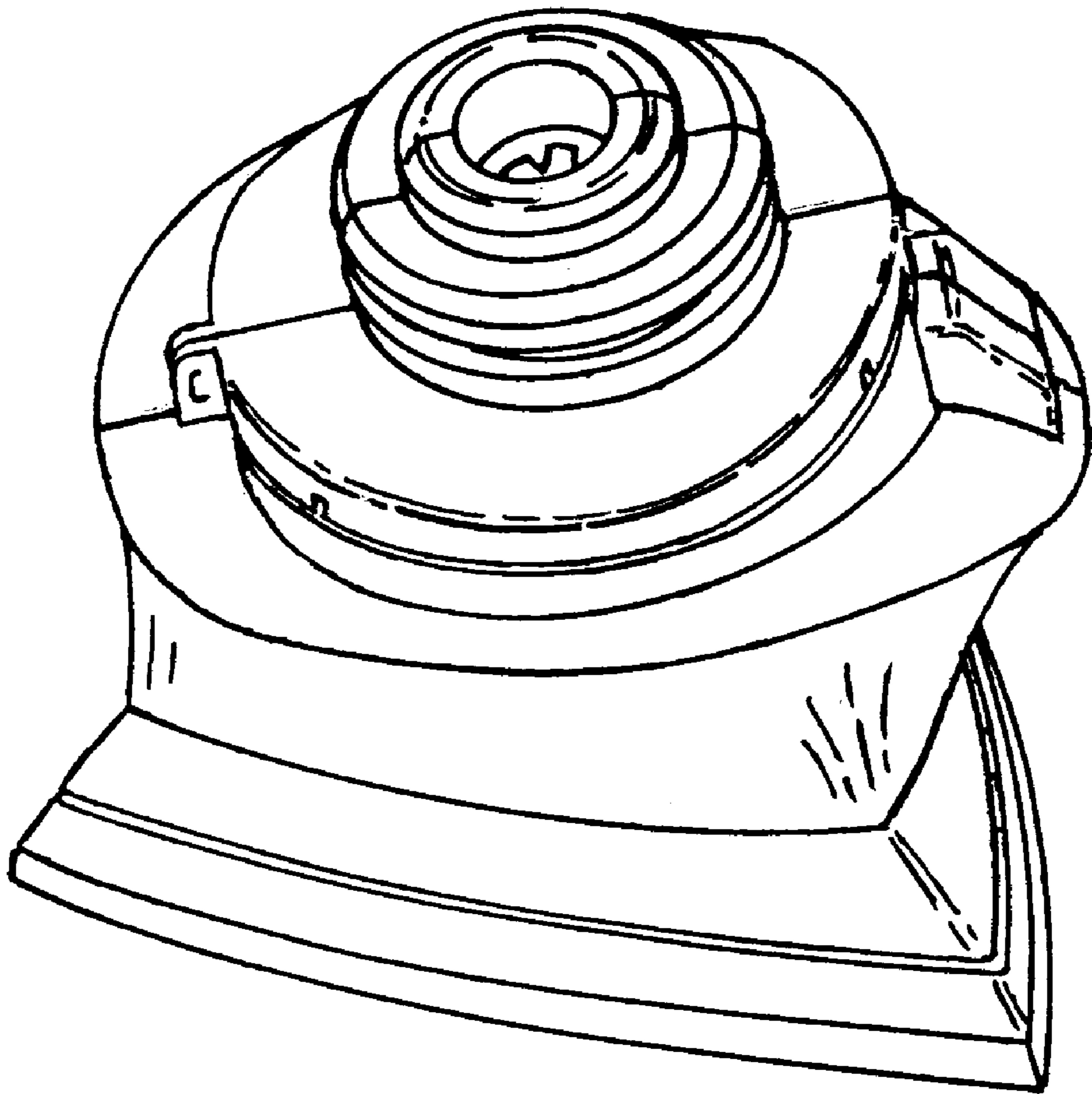


FIG. 1

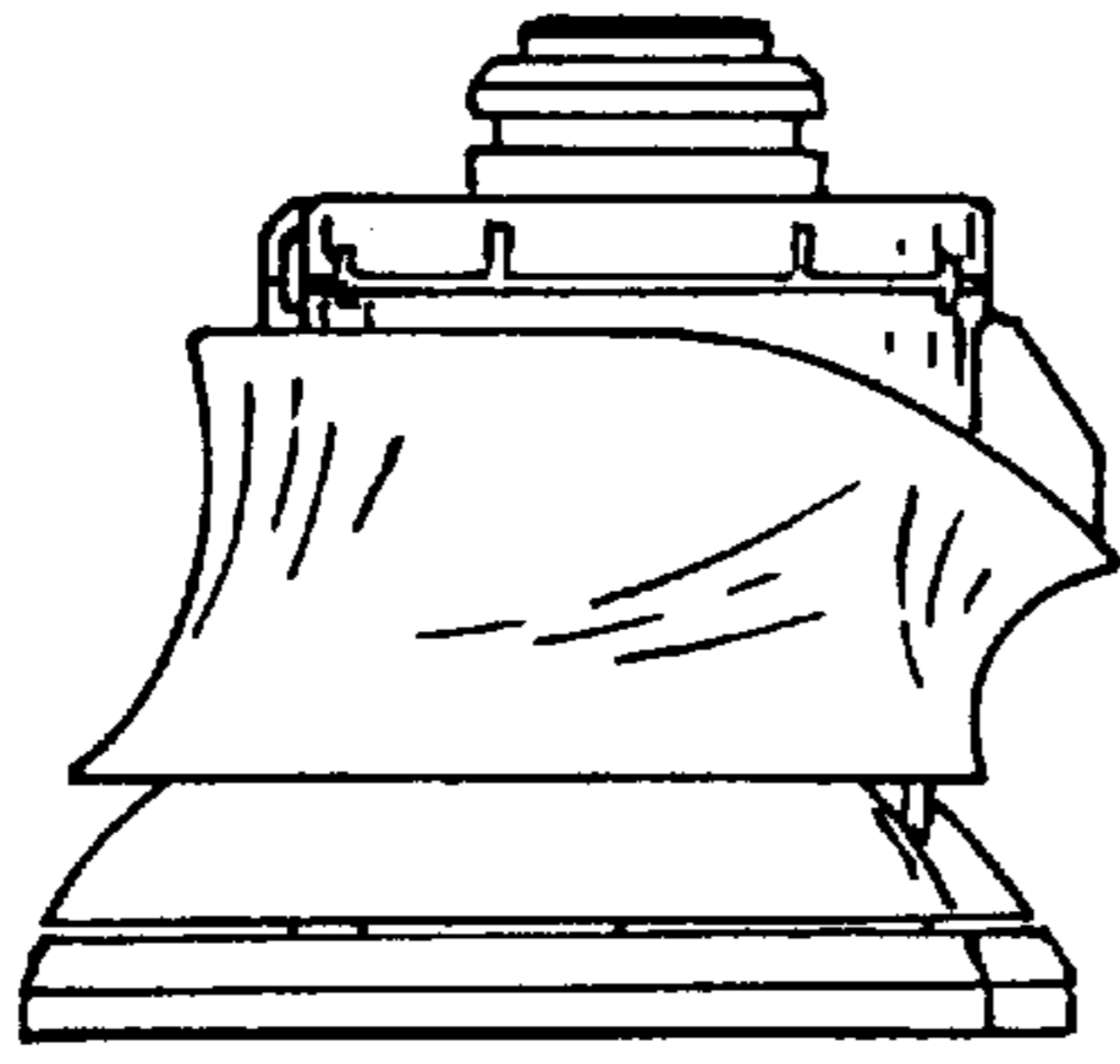


FIG. 2

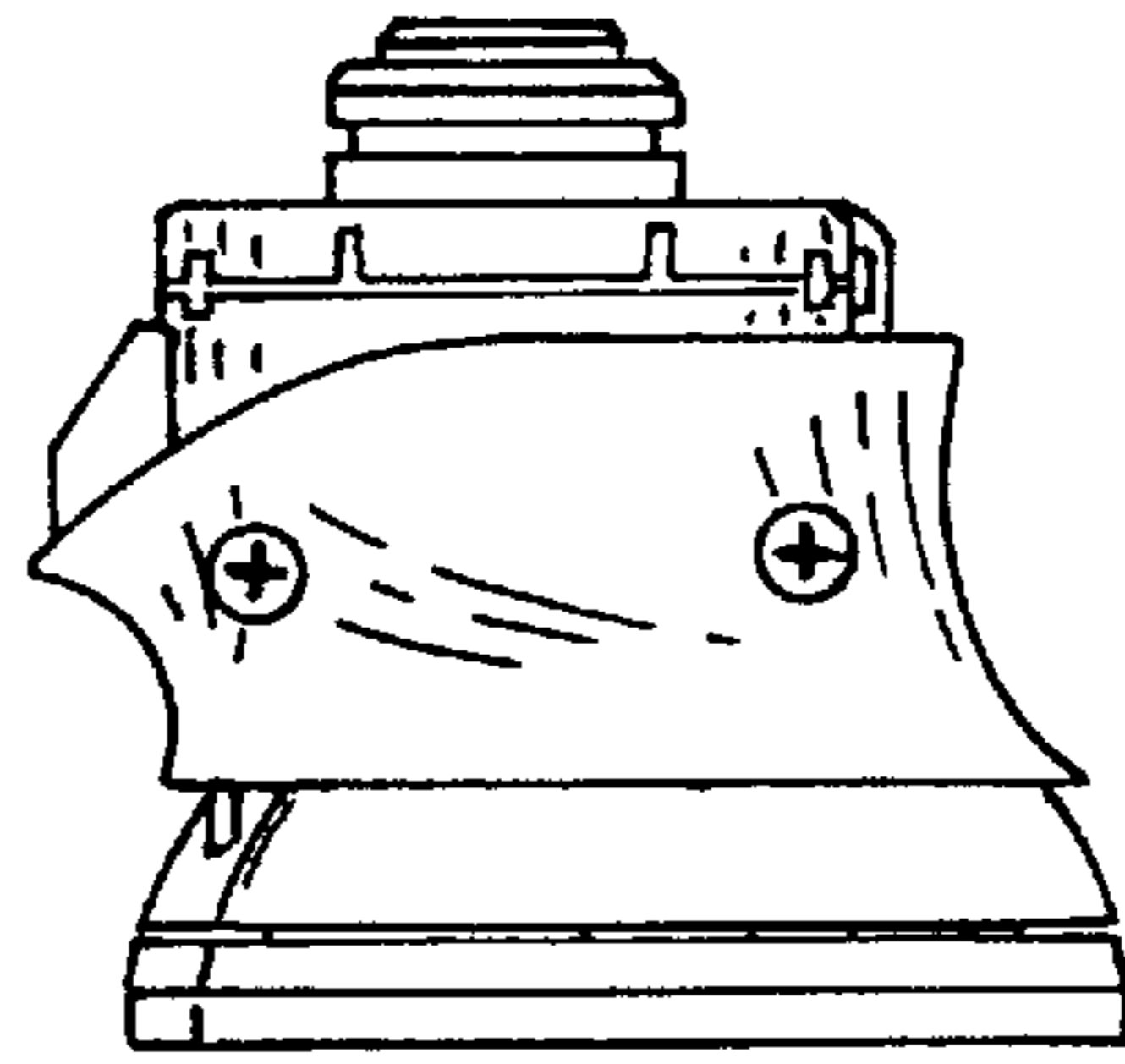


FIG. 3

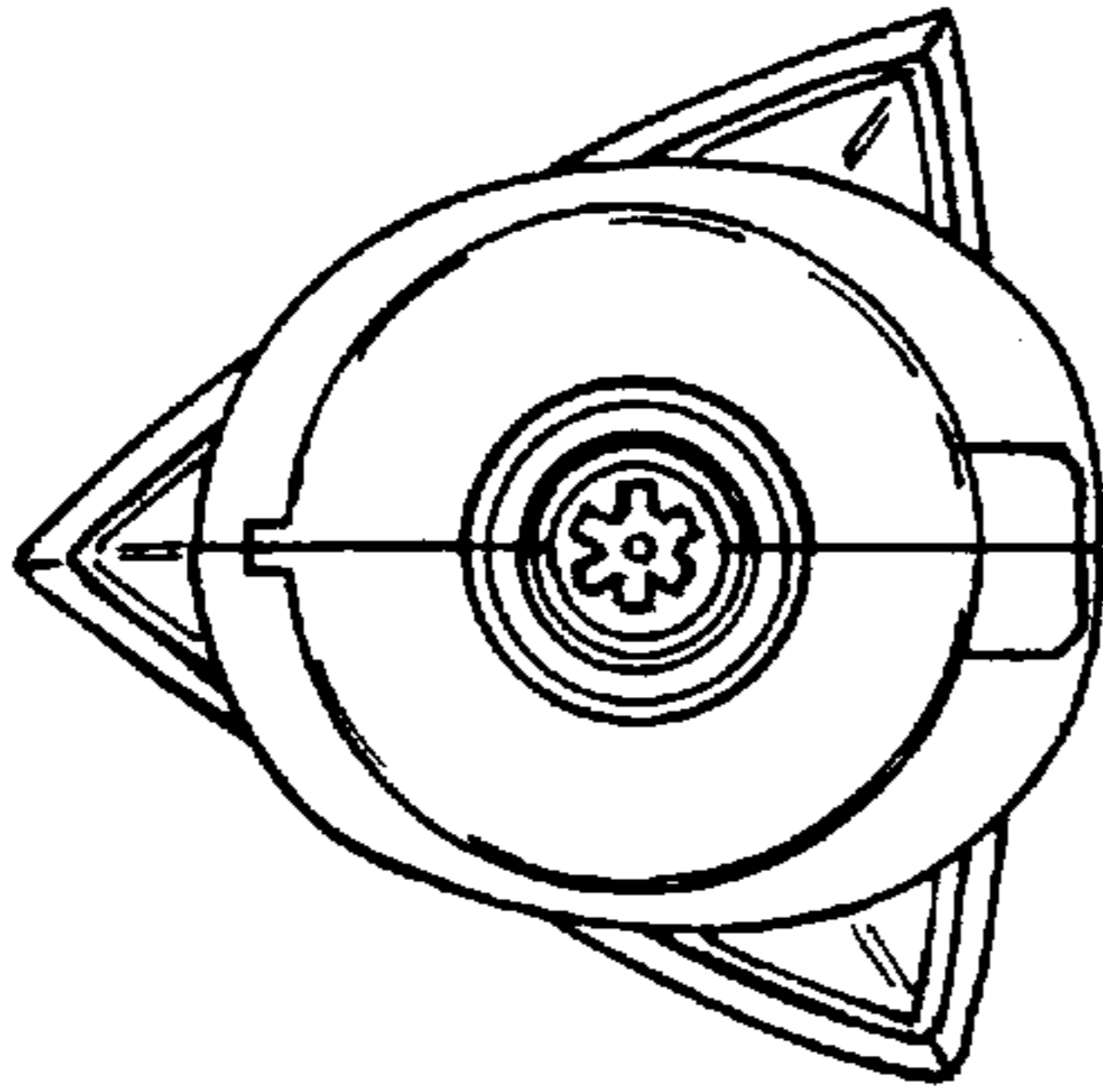


FIG. 4

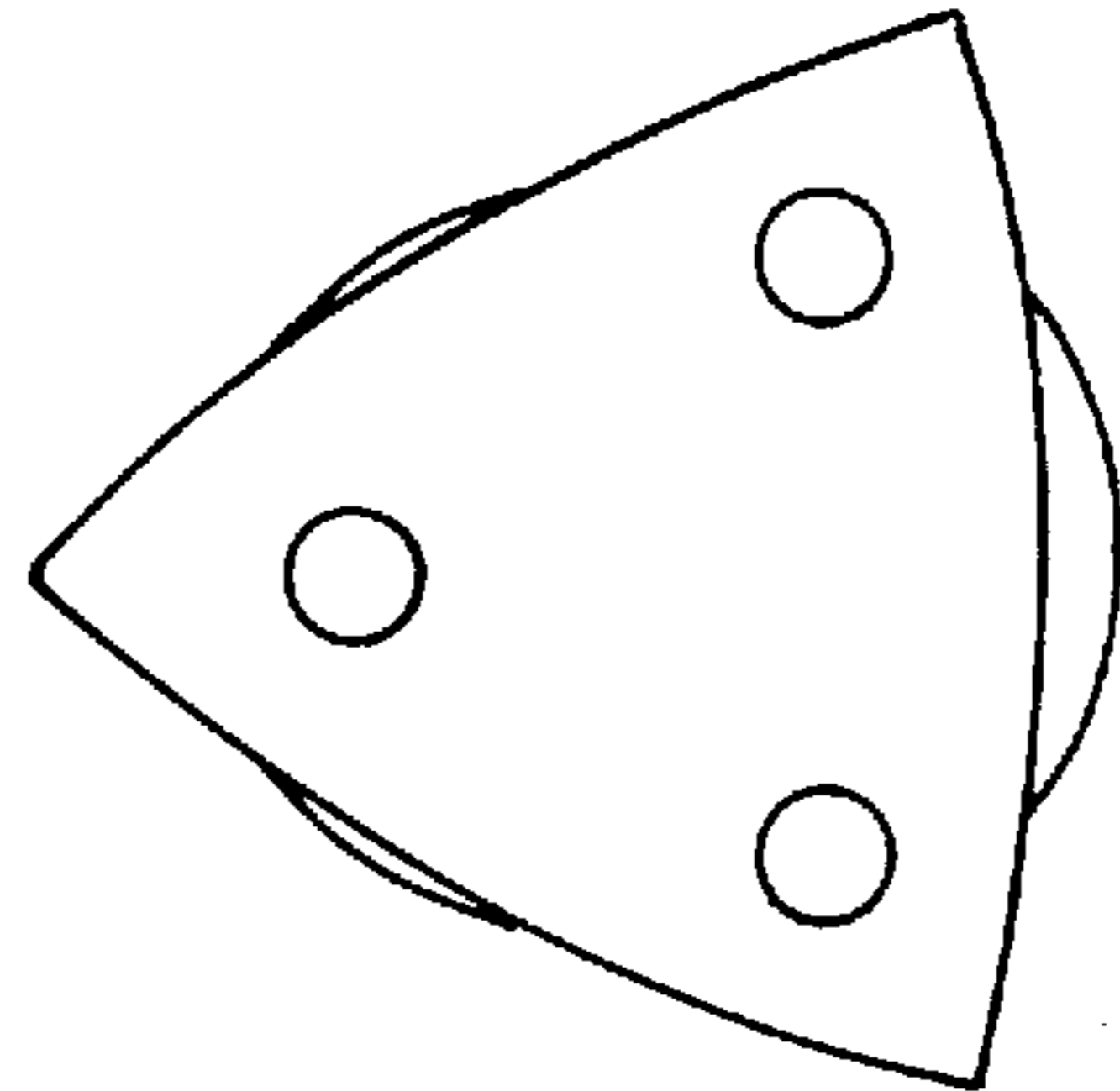


FIG. 5

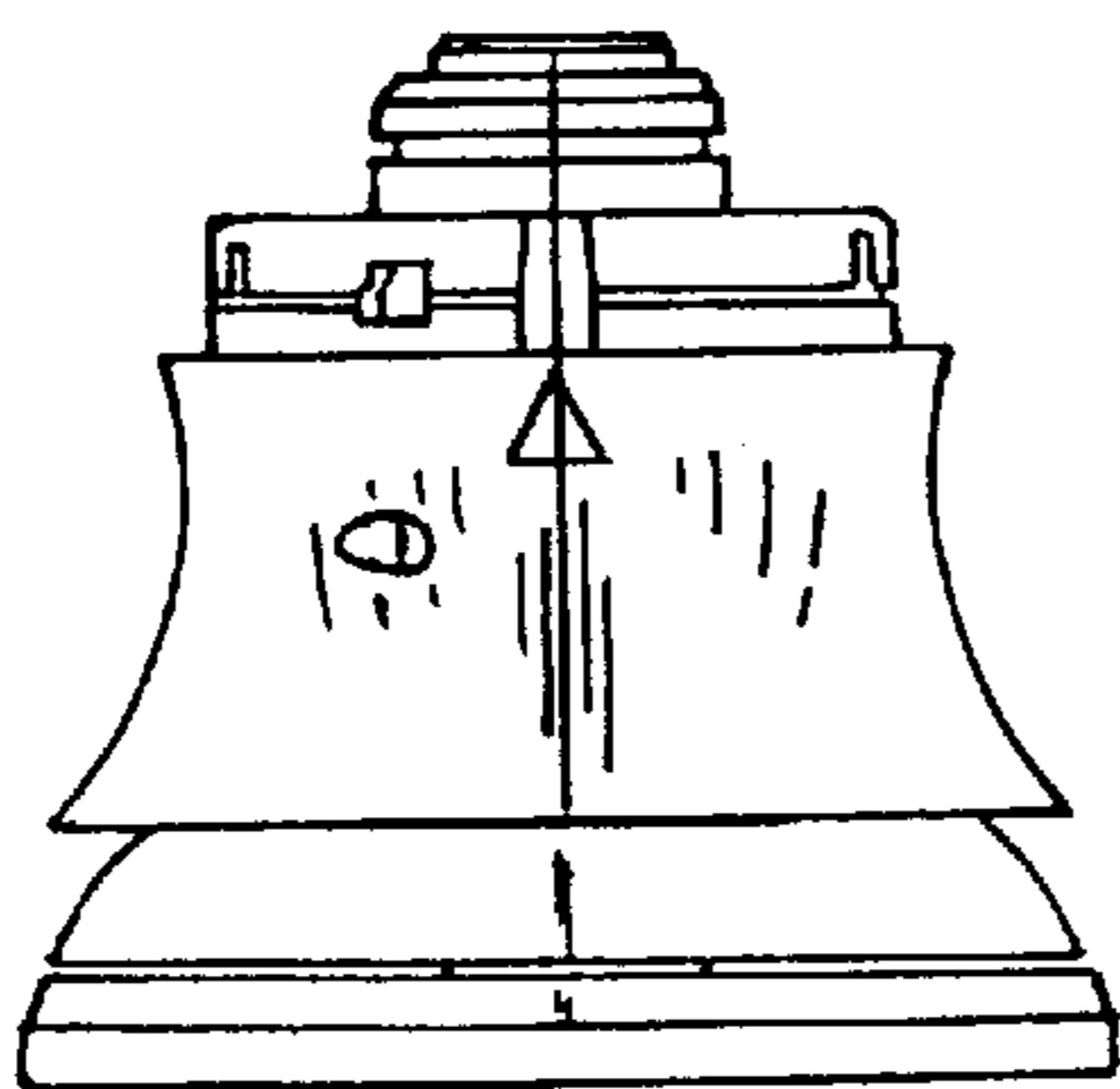


FIG. 6

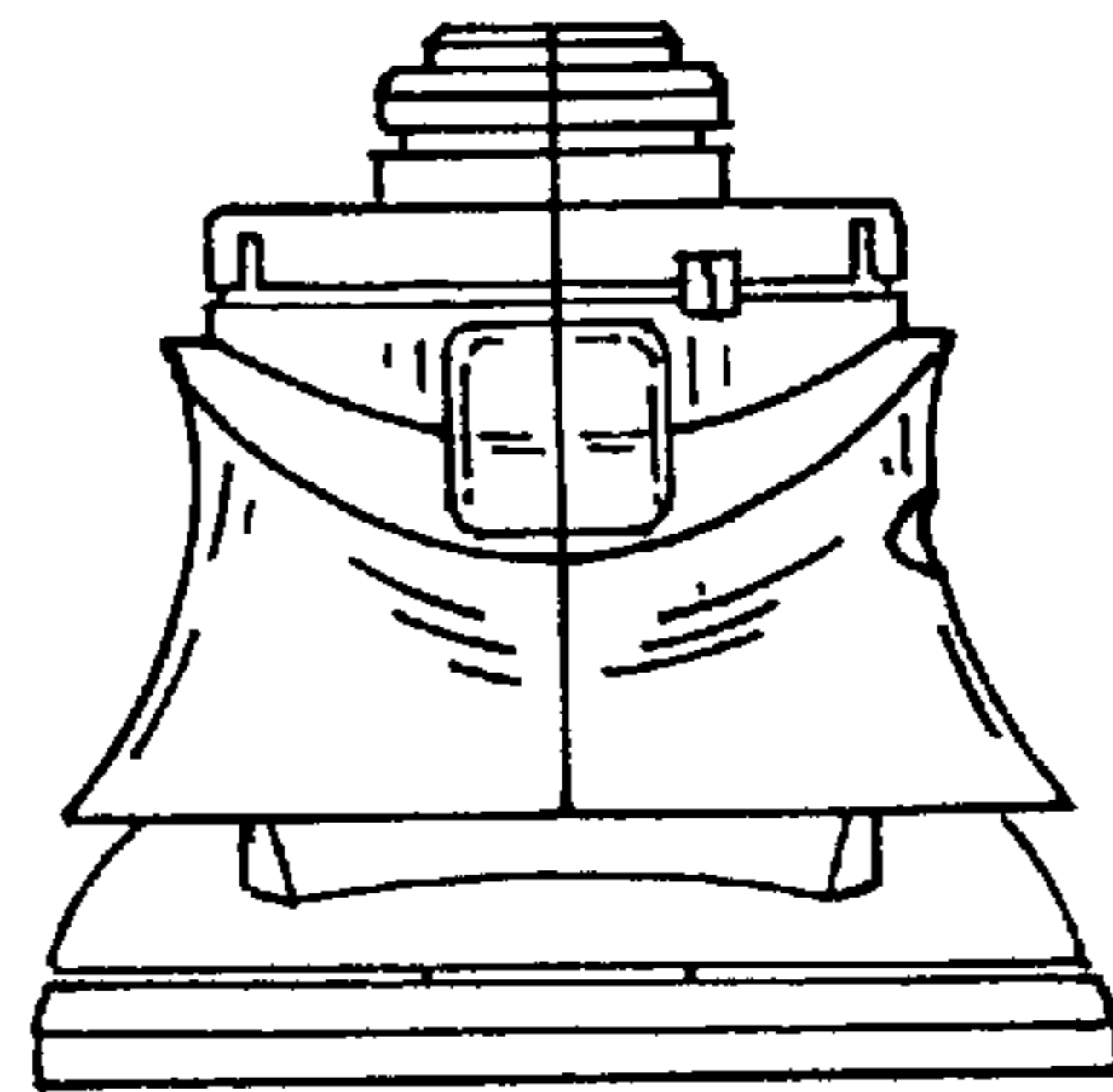


FIG. 7