



US00D413244S

# United States Patent [19] Robson

[11] **Patent Number: Des. 413,244**

[45] **Date of Patent: \*\* Aug. 31, 1999**

[54] **DRILL/DRIVER**

[75] Inventor: **Nigel Robson**, Gilesgate, United Kingdom

[73] Assignee: **Black & Decker Inc.**, Newark, Del.

[\*\*] Term: **14 Years**

[21] Appl. No.: **29/090,336**

[22] Filed: **Jul. 7, 1998**

[30] **Foreign Application Priority Data**

Jan. 13, 1998 [GB] United Kingdom ..... 2071614

[51] **LOC (6) Cl.** ..... **08-02**

[52] **U.S. Cl.** ..... **D8/69**

[58] **Field of Search** ..... D8/69; 408/3, 408/8, 10, 16, 56, 57, 137

[56] **References Cited**

**U.S. PATENT DOCUMENTS**

- D. 326,805 6/1992 Clivio ..... D8/69
- D. 329,166 9/1992 Doggett .
- D. 333,767 3/1993 Sasaki et al. .
- D. 339,276 9/1993 Matsuoka et al. .
- D. 340,395 10/1993 Tanaka .
- D. 361,252 8/1995 De Neergaard et al. .... D8/69
- D. 362,783 10/1995 Cruz .

- D. 367,400 2/1996 Viemeister et al. .
- D. 380,132 6/1997 Matsunaga et al. .
- D. 395,586 6/1998 Arakawa et al. .... D8/69
- 3,973,179 8/1976 Weber et al. .

**OTHER PUBLICATIONS**

Best Catalog 1989/90 showing a Sunbeam® 6-Speed Mixmaster Hand Mixer and a Sunbeam® 4-Speed Mixmaster Hand Mixer.

*Primary Examiner*—Antoine Duval Davis  
*Attorney, Agent, or Firm*—Bruce S. Shapiro; Dennis A. Dearing; John D. Del Ponti

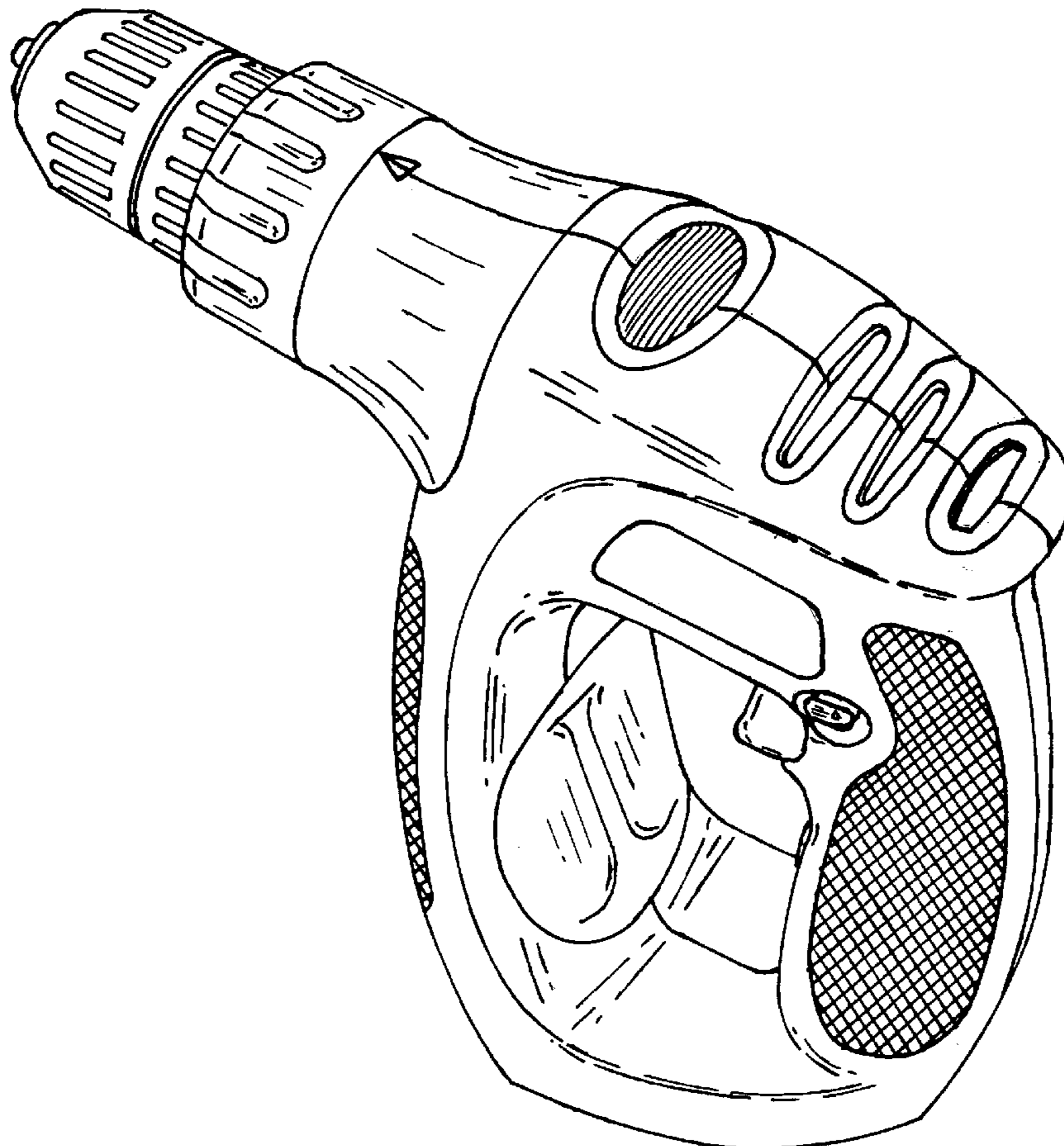
[57] **CLAIM**

The ornamental design for a drill/driver, as shown and described.

**DESCRIPTION**

FIG. 1 is a rear perspective view of a drill/driver showing my new design.  
 FIG. 2 is a left side elevational view thereof.  
 FIG. 3 is a right side elevational view thereof.  
 FIG. 4 is a top plan view thereof.  
 FIG. 5 is a bottom plan view thereof.  
 FIG. 6 is a front elevational view thereof; and,  
 FIG. 7 is a rear elevational view thereof.

**1 Claim, 3 Drawing Sheets**



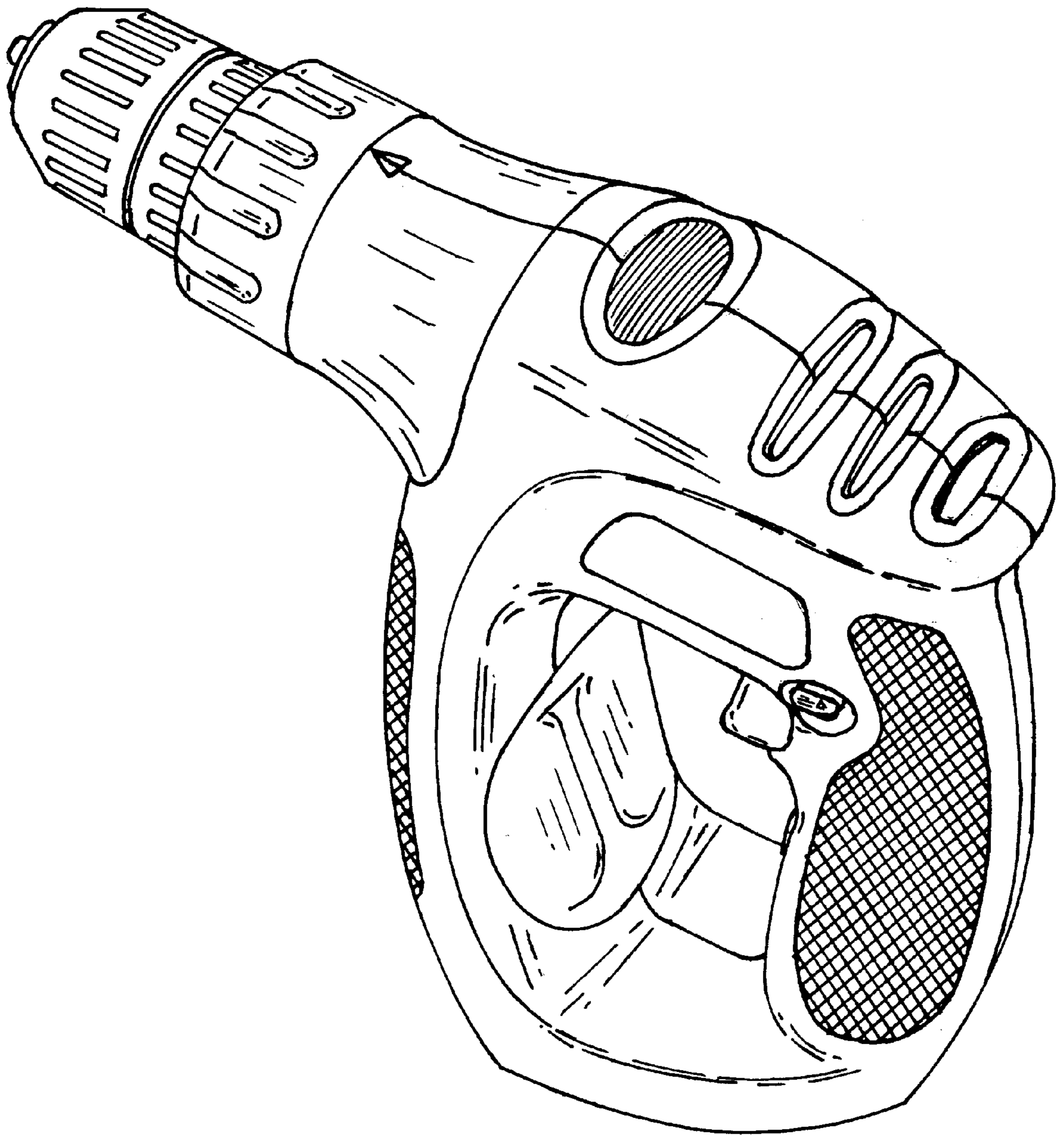


FIG. 1

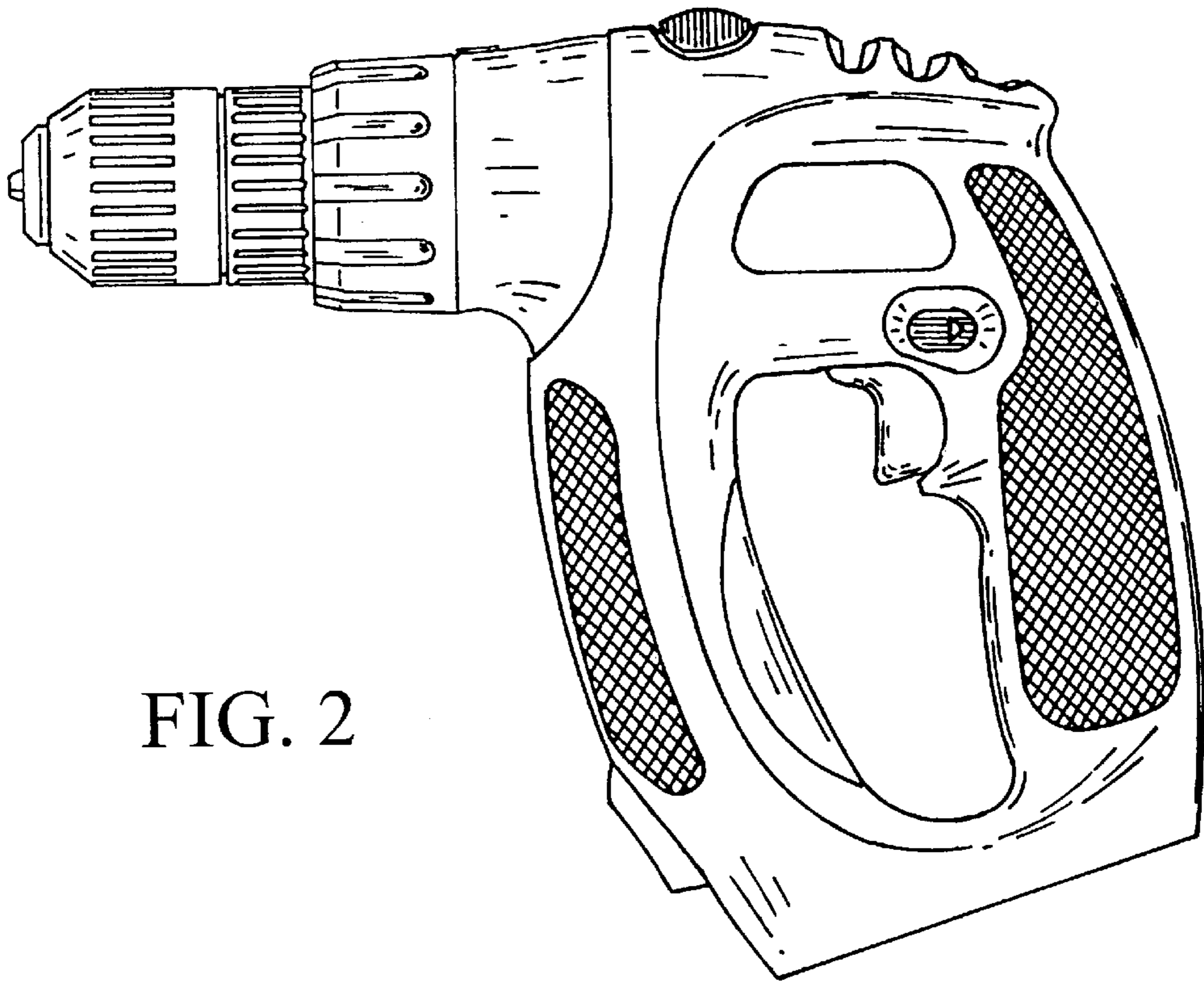


FIG. 2

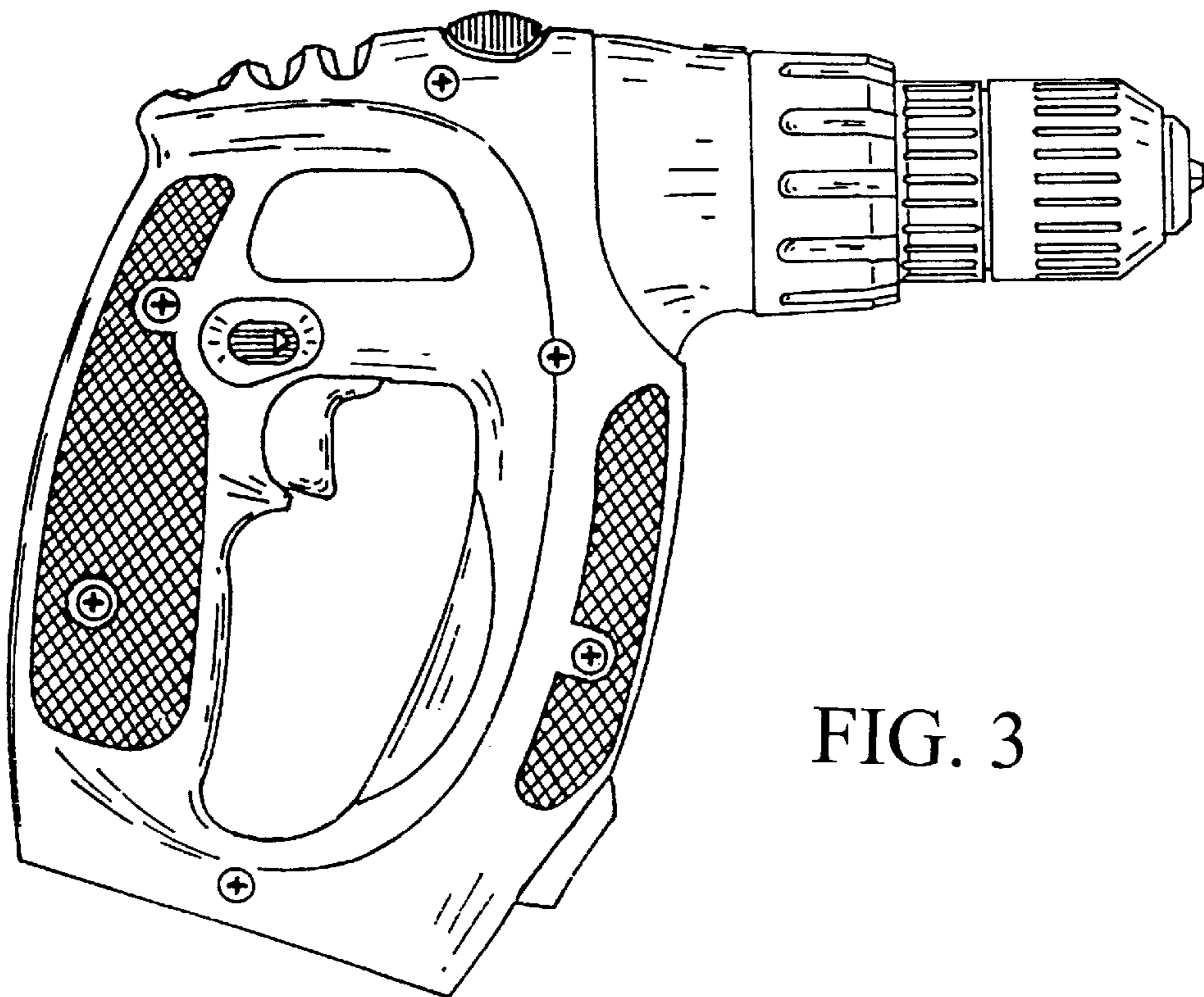


FIG. 3

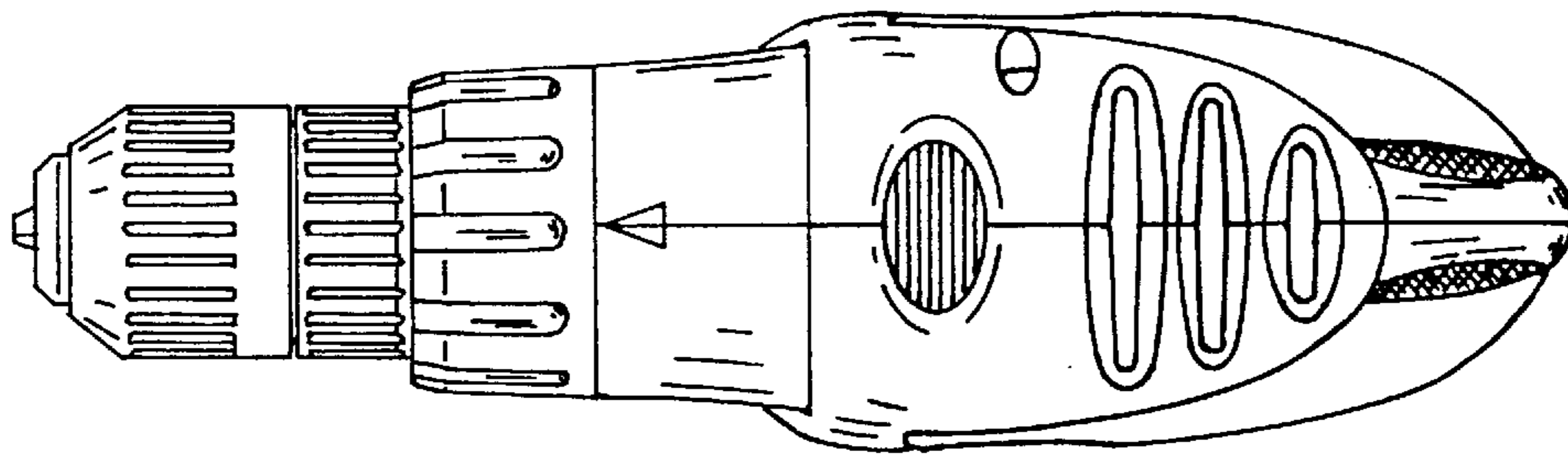


FIG. 4

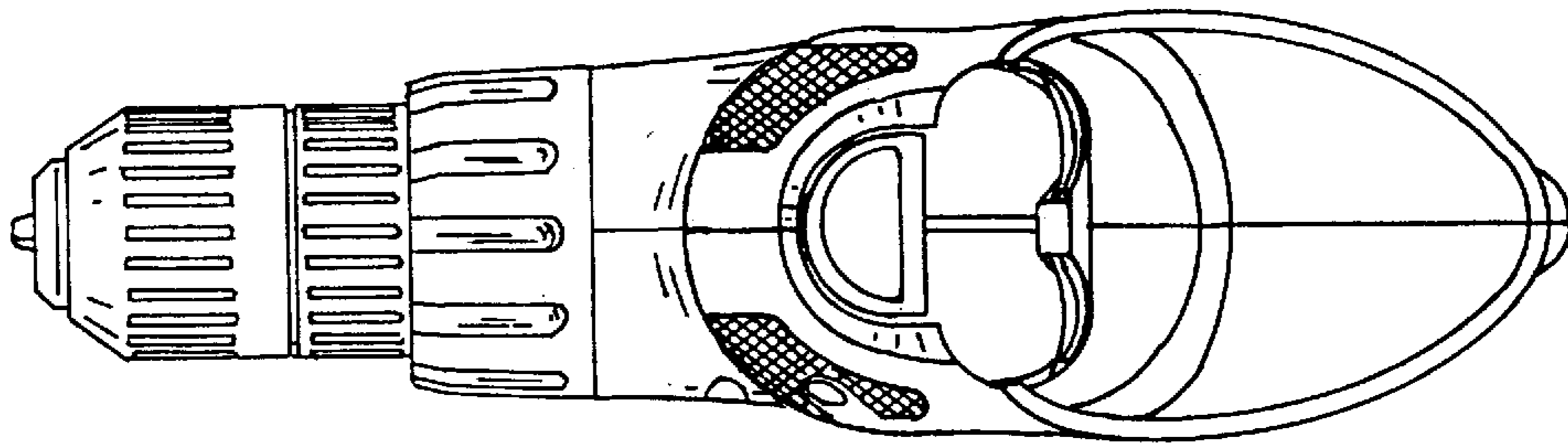


FIG. 5

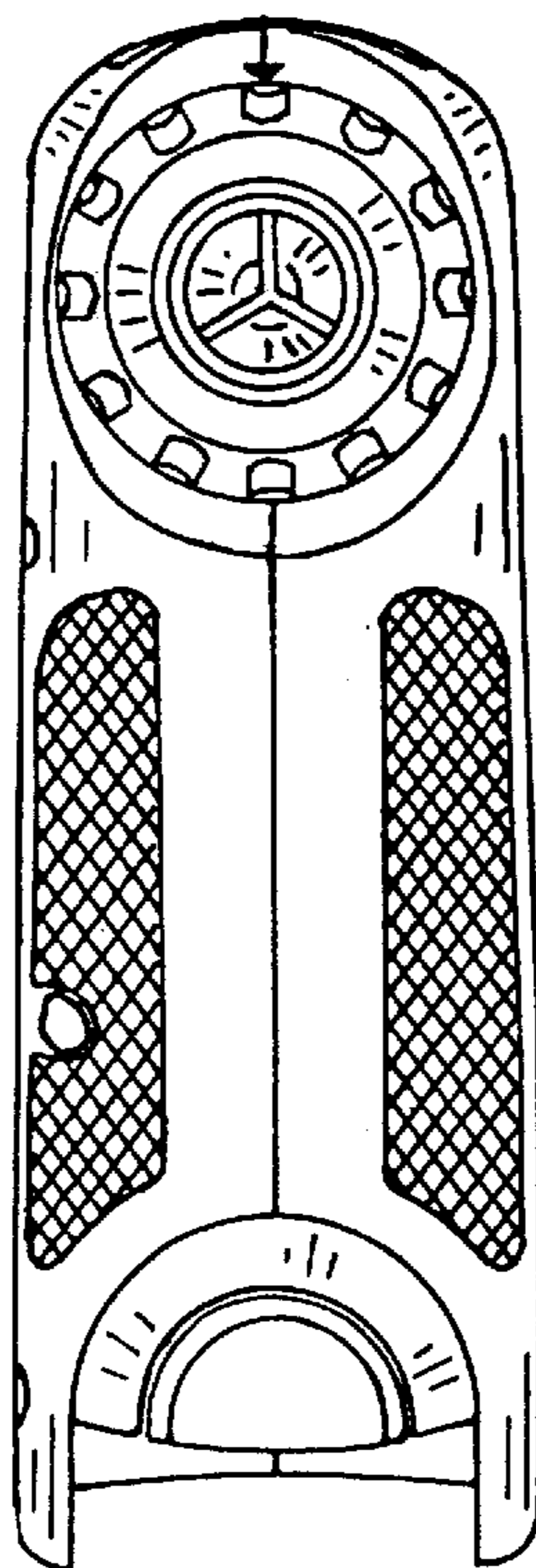


FIG. 6

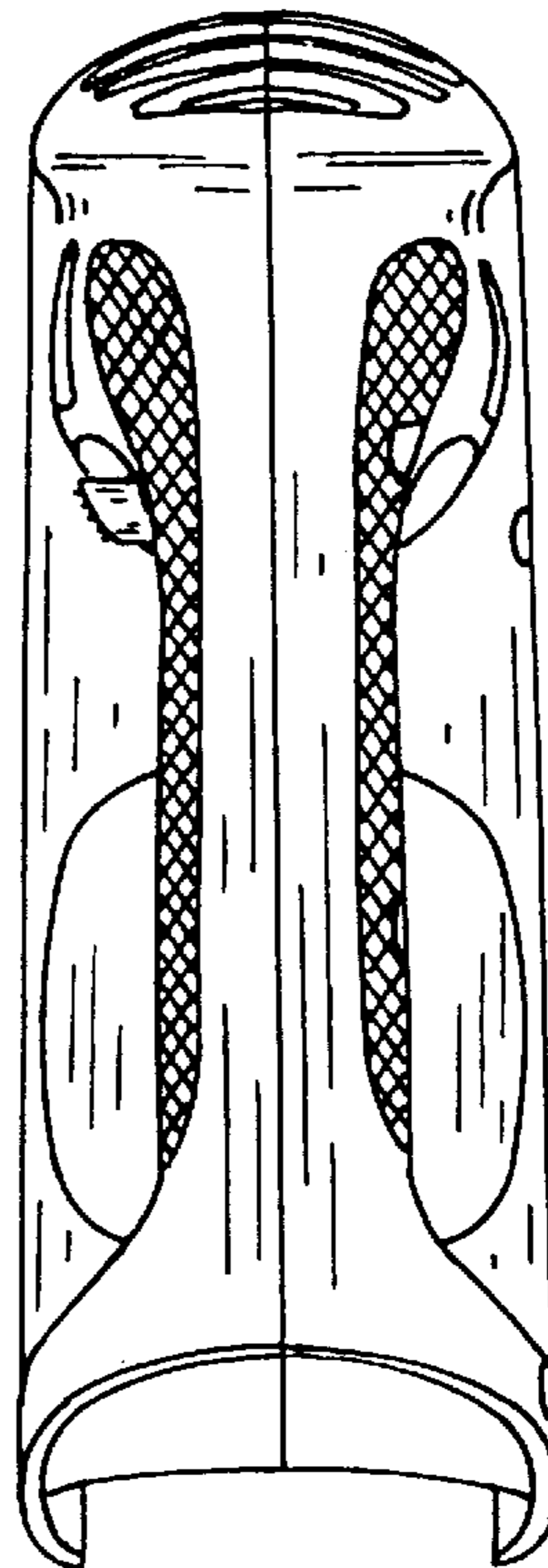


FIG. 7