



US00D413243S

United States Patent [19]
Robson

[11] **Patent Number: Des. 413,243**

[45] **Date of Patent: ** Aug. 31, 1999**

[54] **JIGSAW HEAD**

[75] Inventor: **Nigel Robson**, Gilesgate, United Kingdom

[73] Assignee: **Black & Decker Inc.**, Newark, Del.

[**] Term: **14 Years**

[21] Appl. No.: **29/090,337**

[22] Filed: **Jul. 7, 1998**

[30] **Foreign Application Priority Data**

Jan. 13, 1998 [GB] United Kingdom 2071612

[51] **LOC (6) Cl.** **08-02**

[52] **U.S. Cl.** **D8/64**

[58] **Field of Search** D8/64, 70; 30/392-394; 83/699.21

[56] **References Cited**

U.S. PATENT DOCUMENTS

- D. 329,166 9/1992 Doggett .
- D. 333,767 3/1993 Sasaki et al. .
- D. 339,276 9/1993 Matsuoka et al. .
- D. 340,395 10/1993 Tanaka .
- D. 362,783 10/1995 Cruz .
- D. 367,400 2/1996 Viemeister et al. .

- D. 380,132 6/1997 Matsunaga et al. .
- 3,973,179 8/1976 Weber et al. .
- 5,819,421 10/1998 Giacometti et al. 30/392

OTHER PUBLICATIONS

Best Catalog 1989/90 showing a Sunbeam® 6-Speed Mixmaster Hand Mixer and a Sunbeam® 4-Speed Mixmaster Hand Mixer.

Primary Examiner—Antoine Duval Davis
Attorney, Agent, or Firm—Bruce S. Shapiro; Dennis A. Dearing; John D. Del Ponti

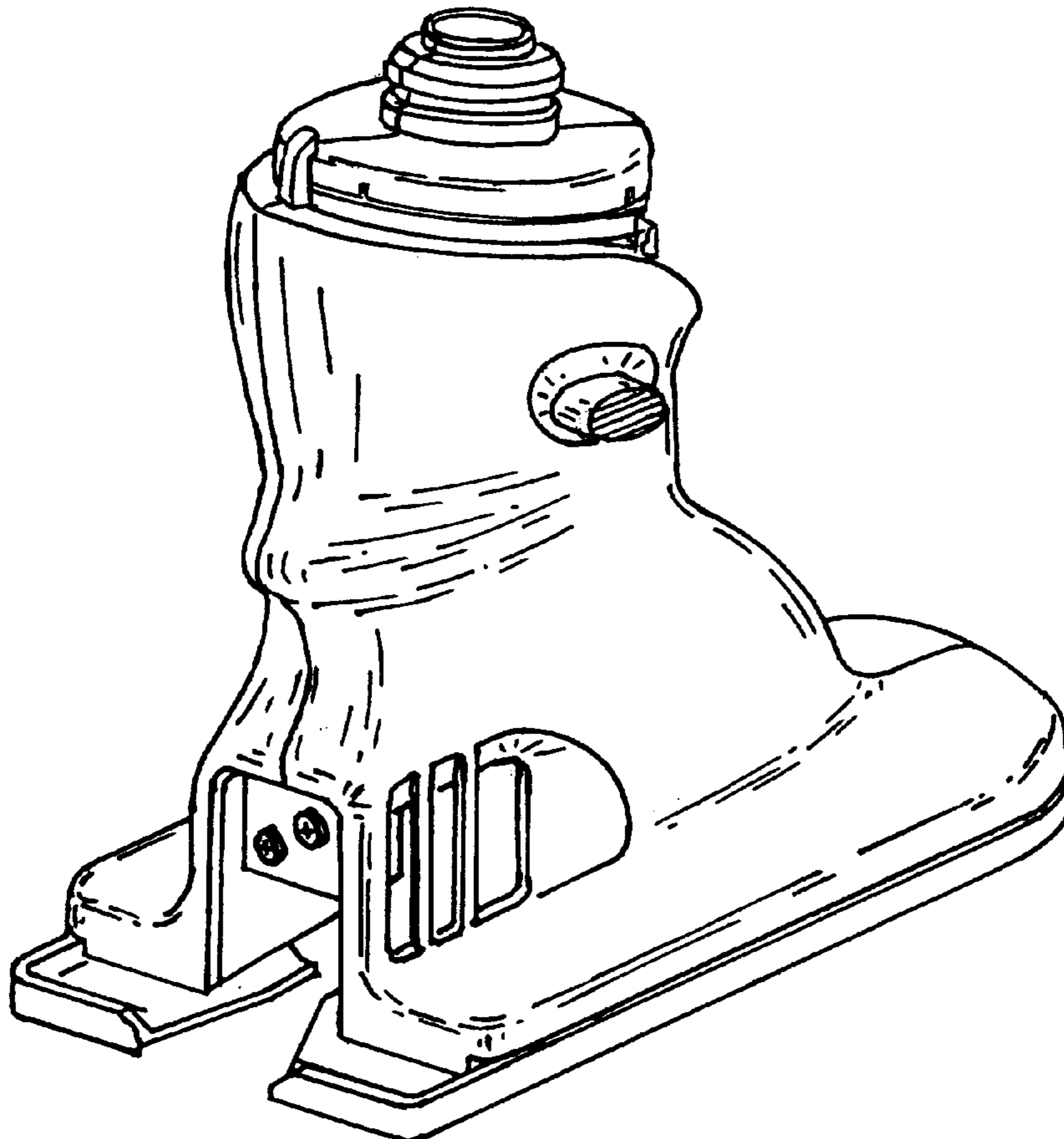
[57] **CLAIM**

The ornamental design for a jigsaw head, as shown and described.

DESCRIPTION

FIG. 1 is a front perspective view of a jigsaw head showing my new design.
FIG. 2 is a left side elevational view thereof.
FIG. 3 is a right side elevational view thereof.
FIG. 4 is a front elevational view thereof.
FIG. 5 is a rear elevational view thereof.
FIG. 6 is a top plan view thereof; and,
FIG. 7 is a bottom plan view thereof.

1 Claim, 3 Drawing Sheets



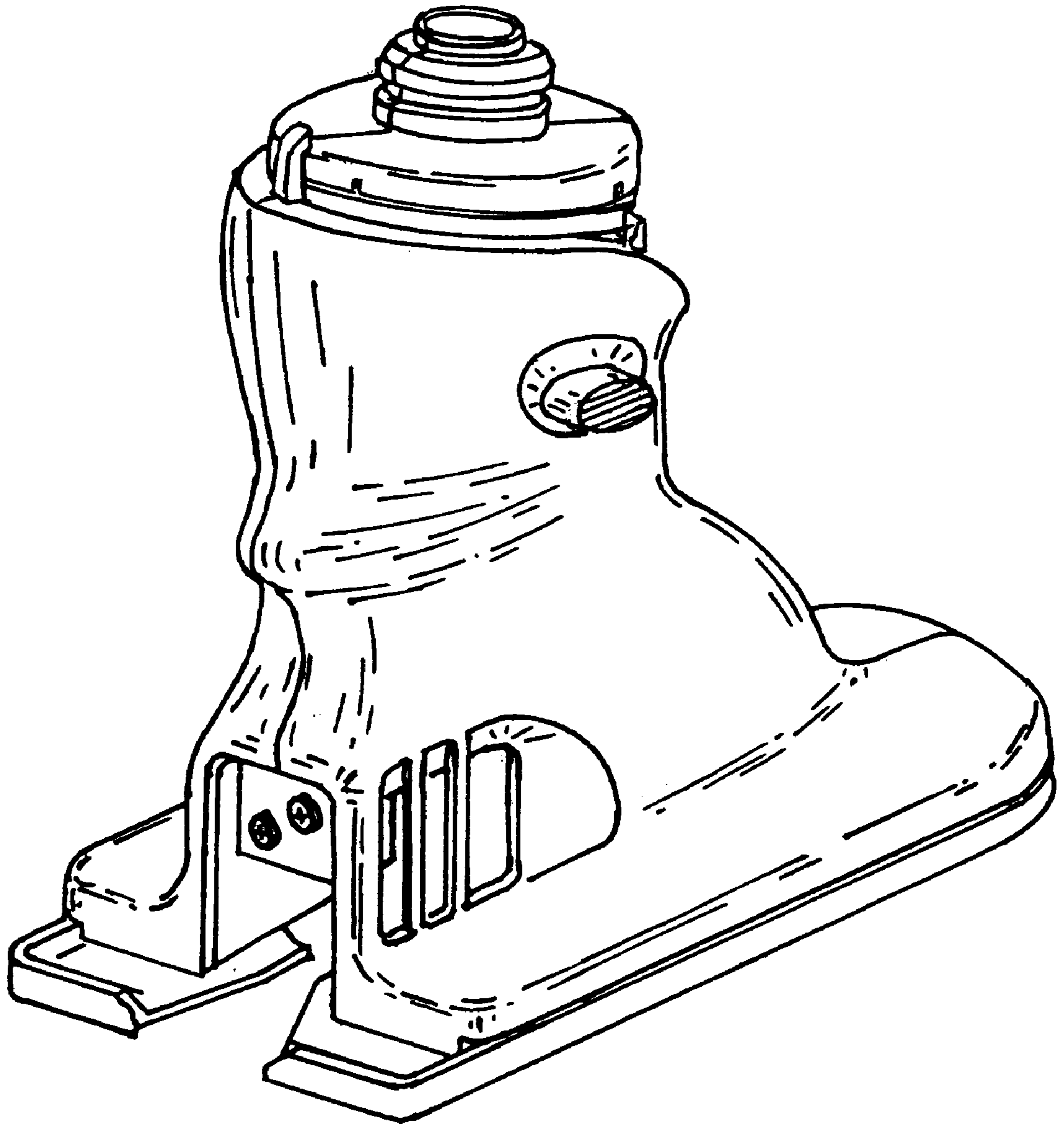


FIG. 1

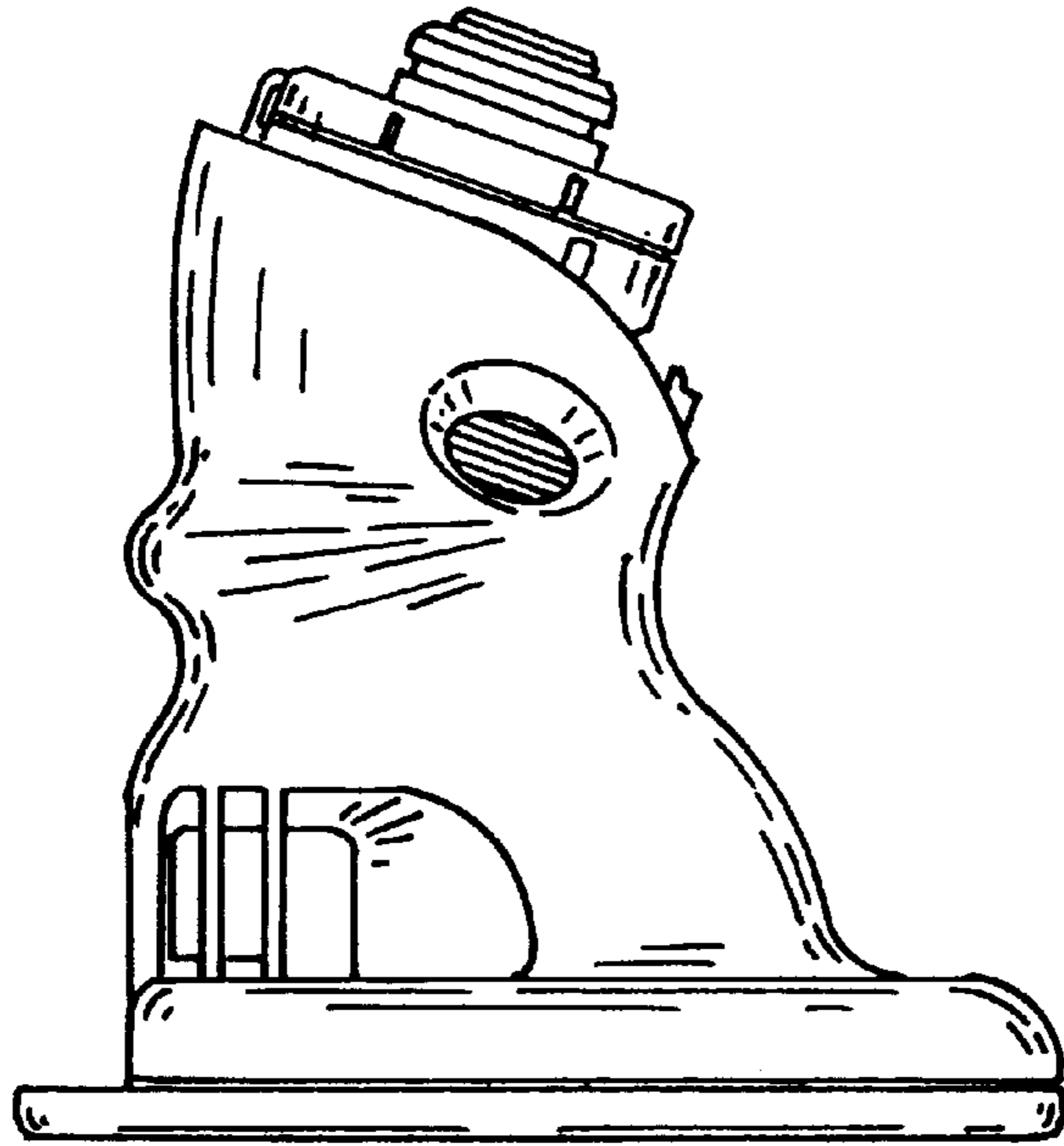


FIG. 2

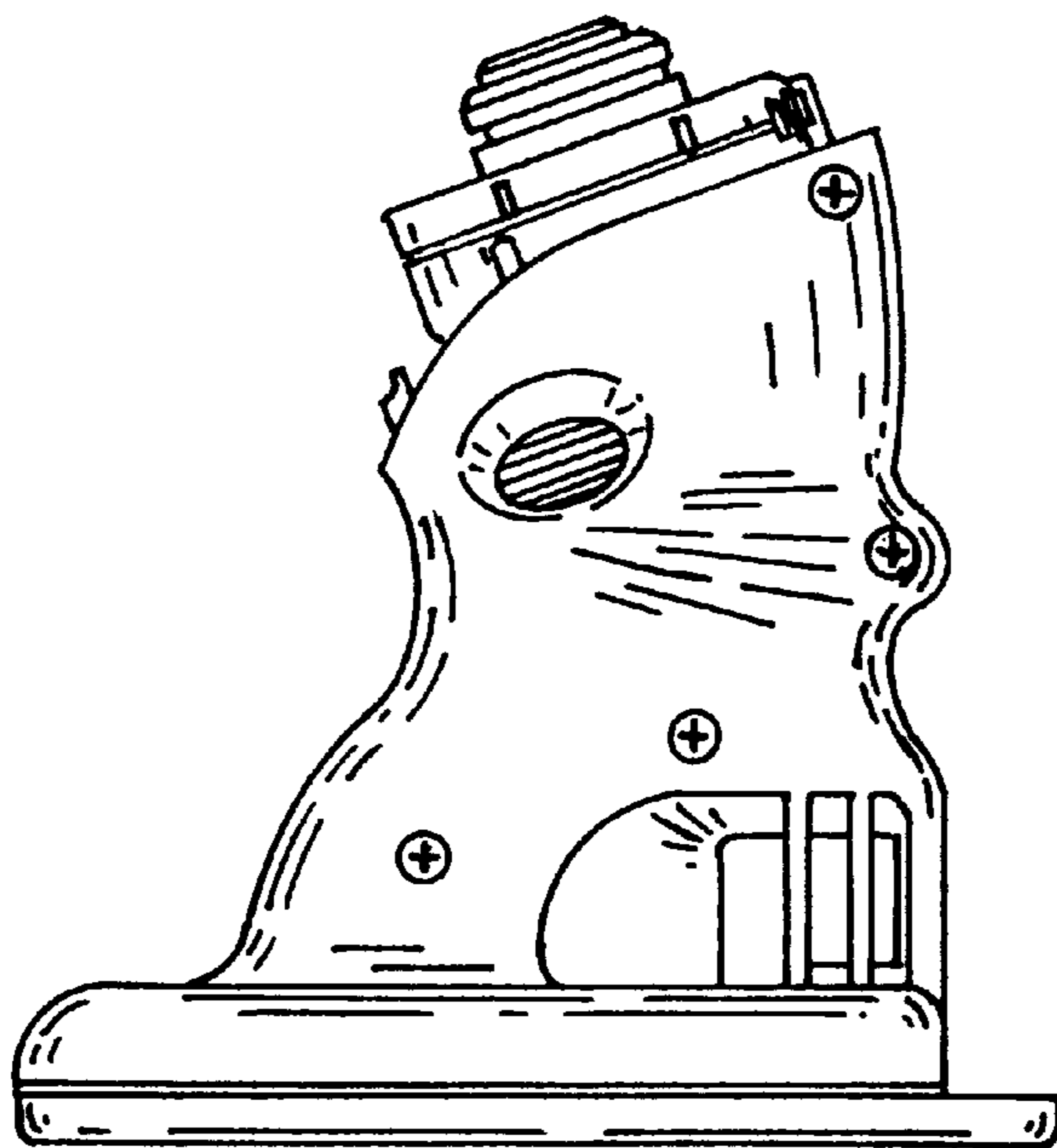


FIG. 3

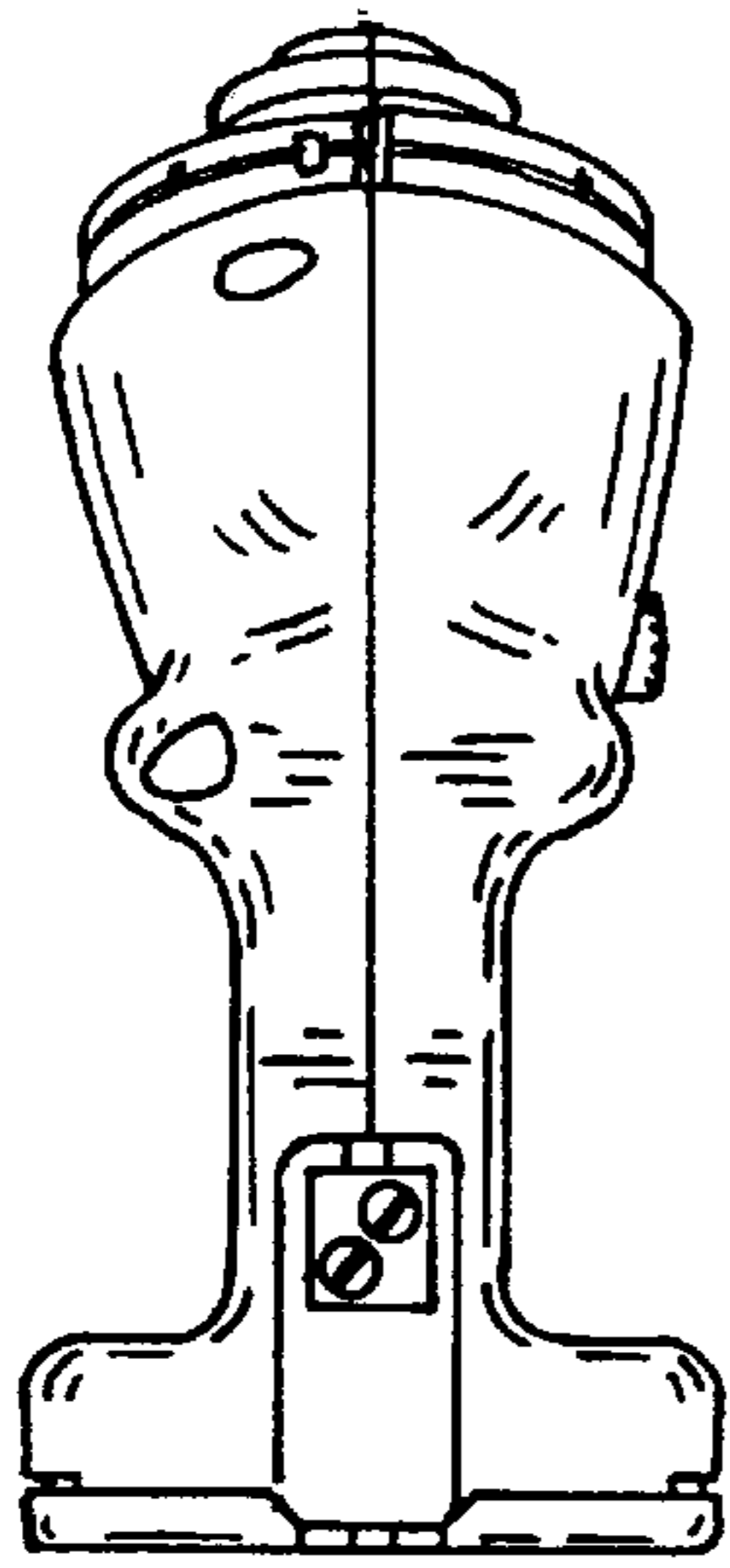


FIG. 4

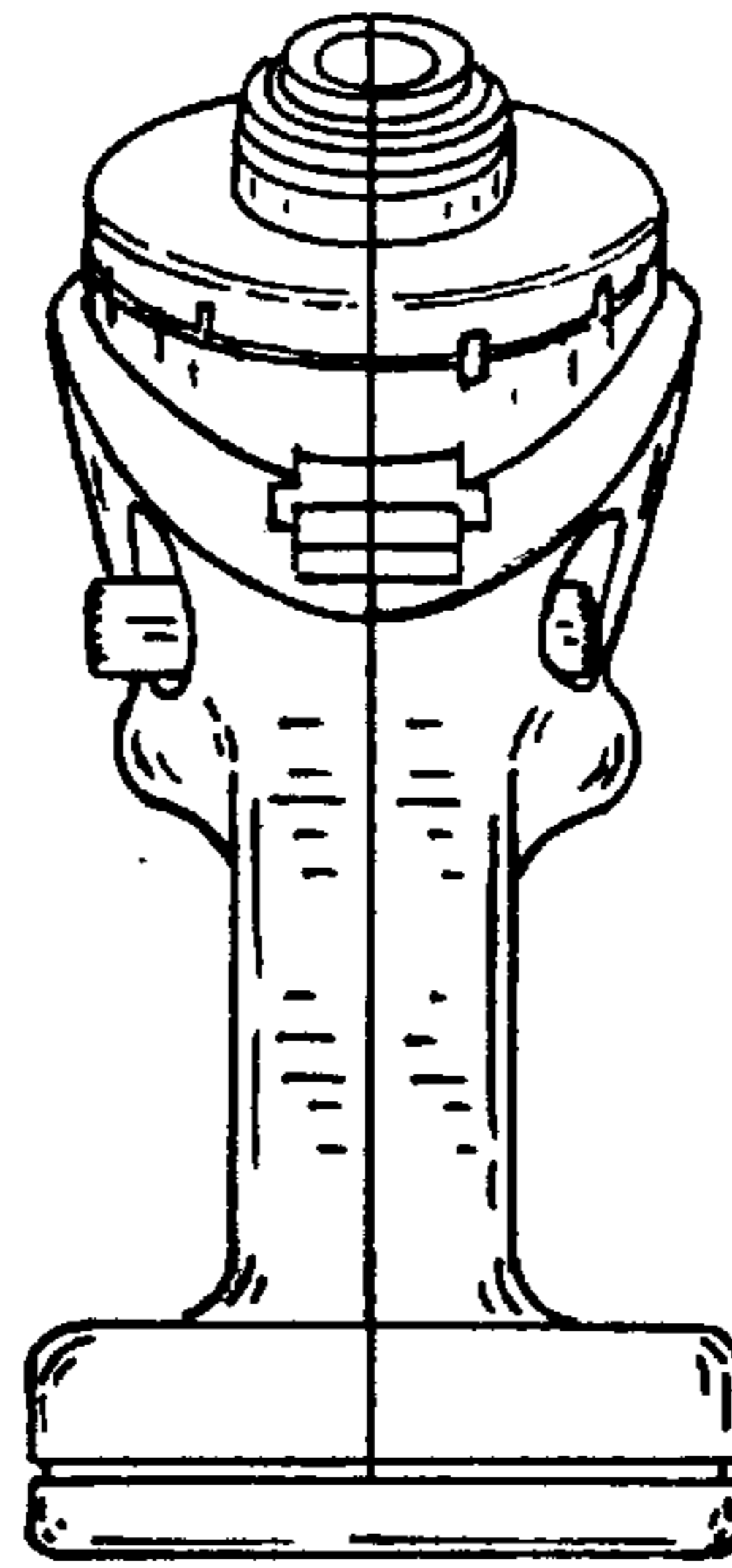


FIG. 5

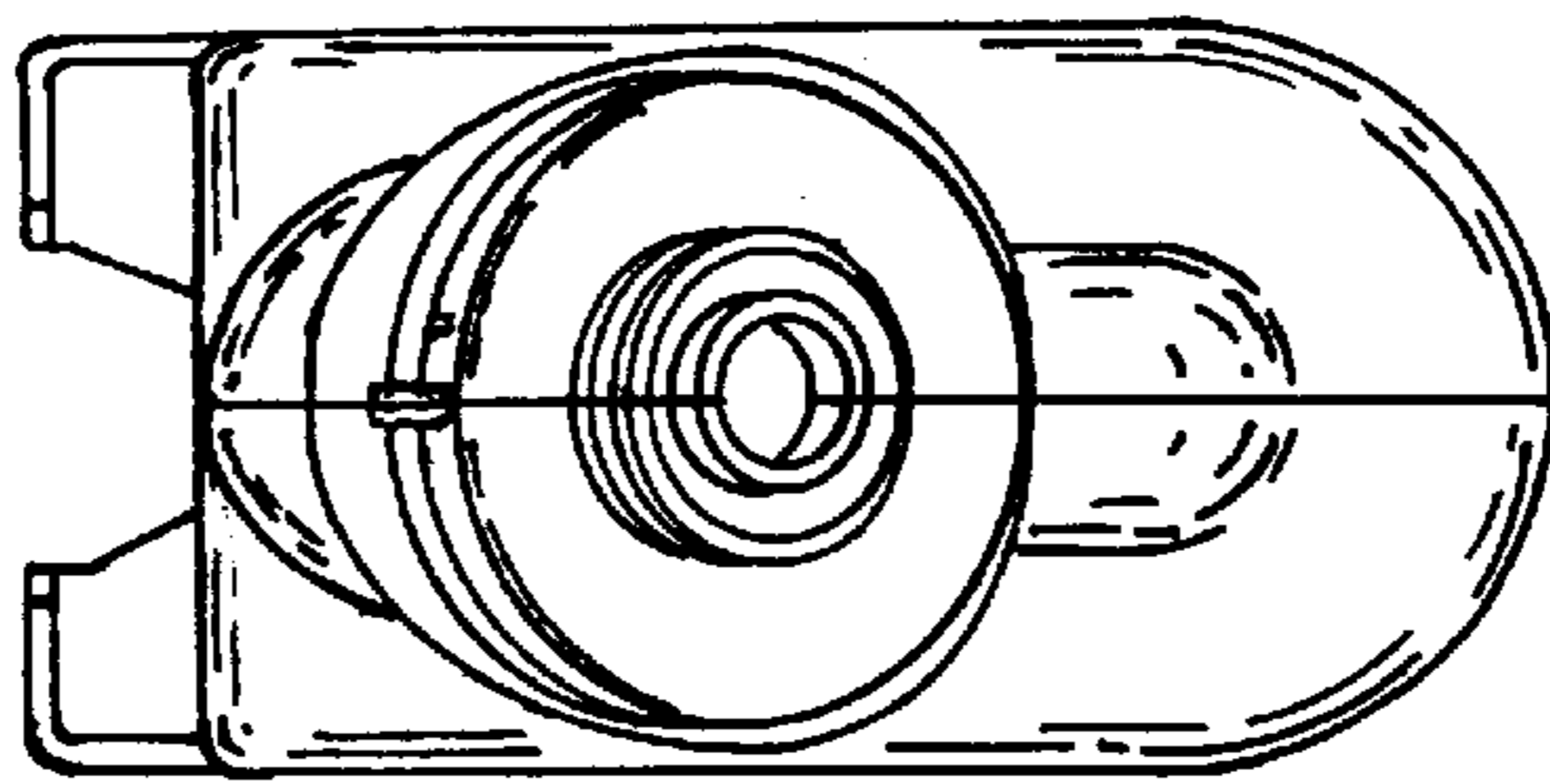


FIG. 6

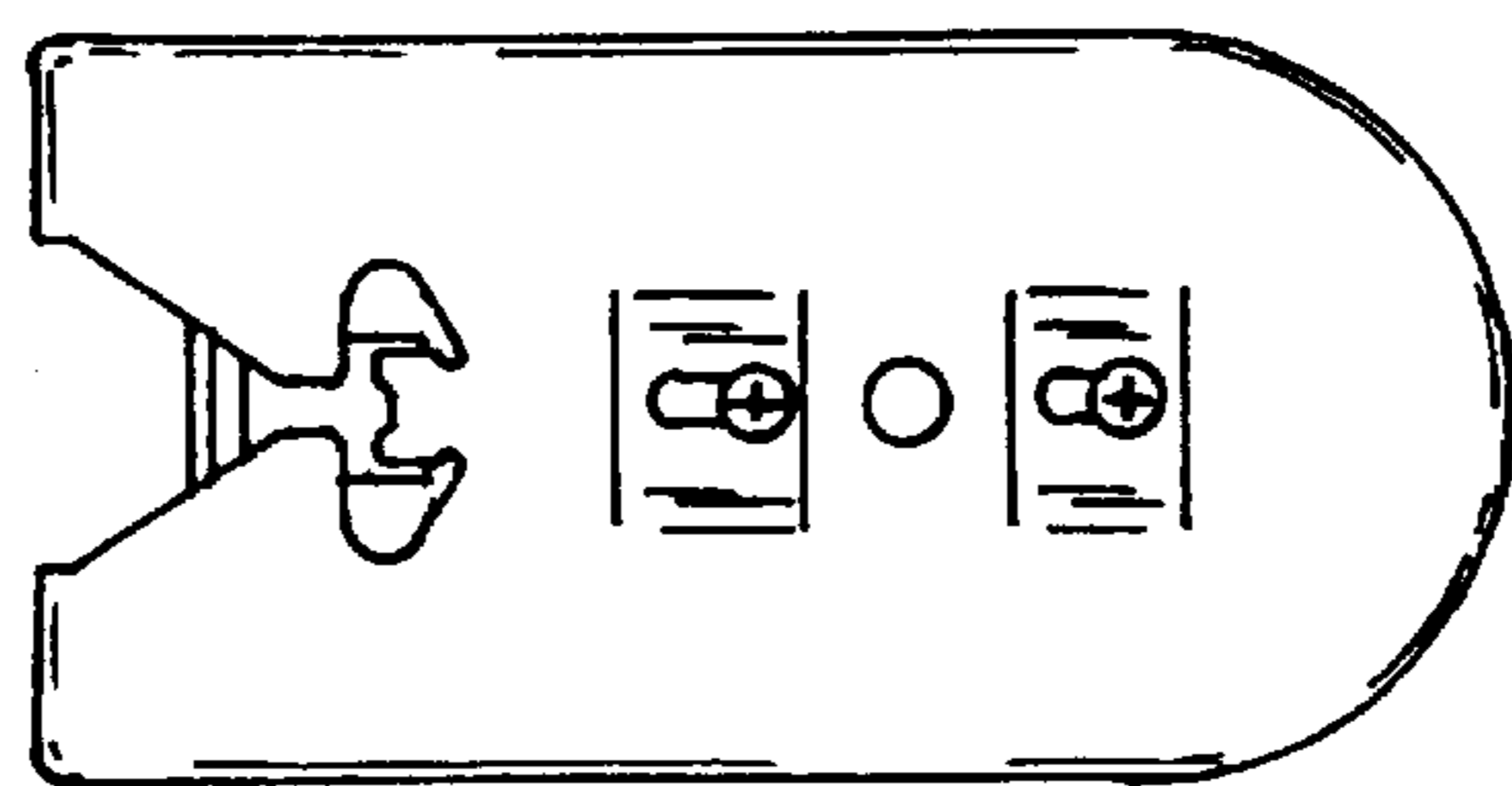


FIG. 7