



US00D413242S

# United States Patent [19] Robson

[11] Patent Number: **Des. 413,242**

[45] Date of Patent: **\*\* Aug. 31, 1999**

[54] SANDER

[75] Inventor: **Nigel Robson**, Gilesgate, United Kingdom

[73] Assignee: **Black & Decker Inc.**, Newark, Del.

[\*\*] Term: **14 Years**

[21] Appl. No.: **29/090,338**

[22] Filed: **Jul. 7, 1998**

### [30] Foreign Application Priority Data

Jan. 13, 1998 [GB] United Kingdom ..... 2071616

[51] LOC (6) Cl. .... **08-01**

[52] U.S. Cl. .... **D8/62; D8/69**

[58] Field of Search ..... D8/62, 69; 451/355-358

### [56] References Cited

#### U.S. PATENT DOCUMENTS

- D. 329,166 9/1992 Doggett .
- D. 333,767 3/1993 Sasaki et al. .
- D. 339,276 9/1993 Matsuoka et al. .
- D. 340,395 10/1993 Tanaka .
- D. 362,783 10/1995 Cruz .
- D. 367,400 2/1996 Viemeister et al. .

- D. 380,132 6/1997 Matsunaga et al. .
- D. 382,183 8/1997 Cooper ..... D8/62
- 3,973,179 8/1976 Weber et al. .
- 5,616,072 4/1997 Walz et al. .... 451/356

### OTHER PUBLICATIONS

Best Catalog 1989/90 showing a Sunbeam®6-Speed Mixmaster Hand Mixer and a Sunbeam®4-Speed Mixmaster Hand Mixer.

*Primary Examiner*—Antoine Duval Davis  
*Attorney, Agent, or Firm*—Bruce S. Shapiro; Dennis A. Dearing; John D. Del Ponti

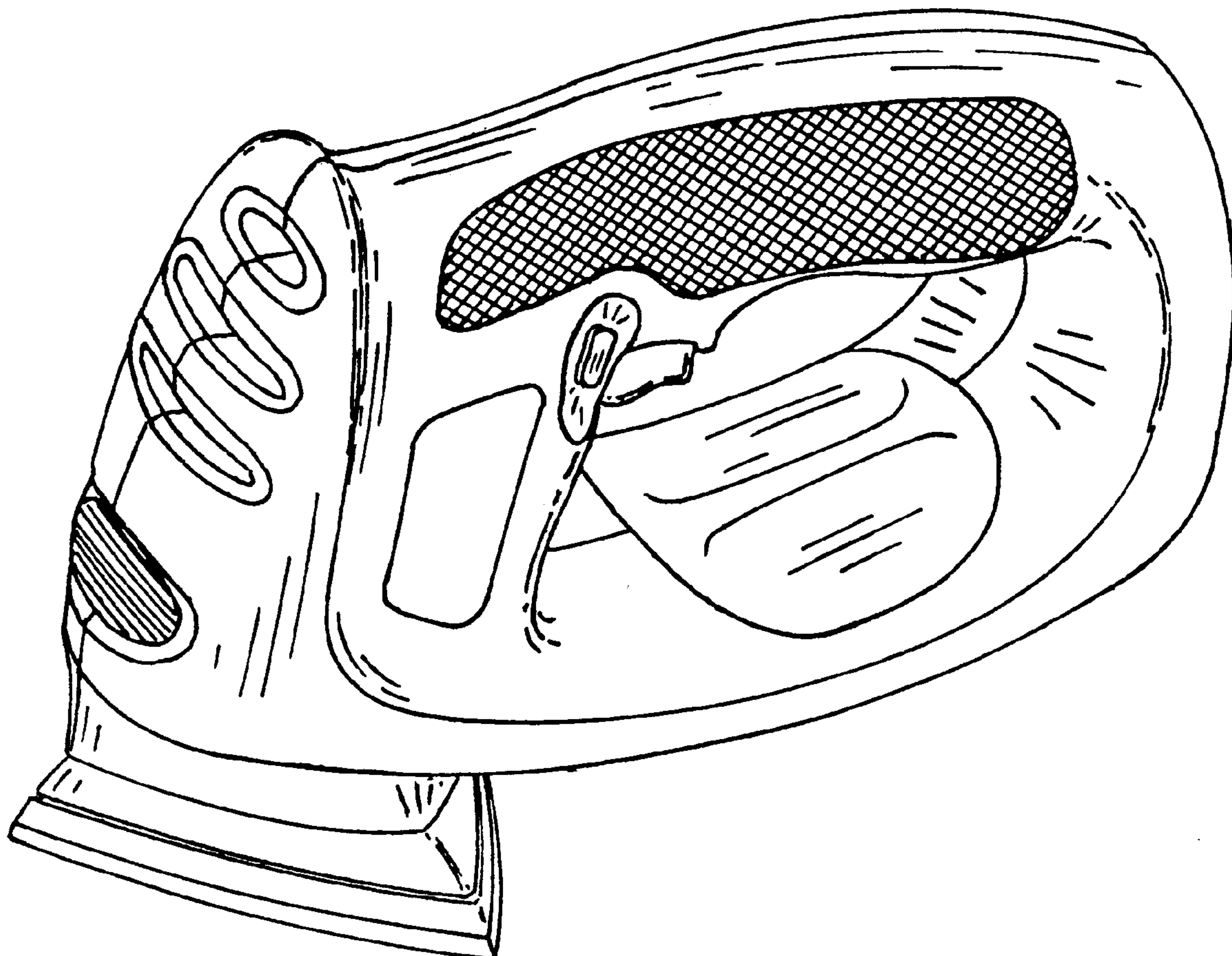
### [57] CLAIM

The ornamental design for a sander, as shown and described.

### DESCRIPTION

- FIG. 1 is a front perspective view of a sander showing my new design.
- FIG. 2 is a left side elevational view thereof.
- FIG. 3 is a right side elevational view thereof.
- FIG. 4 is a top plan view thereof.
- FIG. 5 is a bottom plan view thereof.
- FIG. 6 is a front elevational view thereof; and,
- FIG. 7 is a rear elevational view thereof.

**1 Claim, 3 Drawing Sheets**



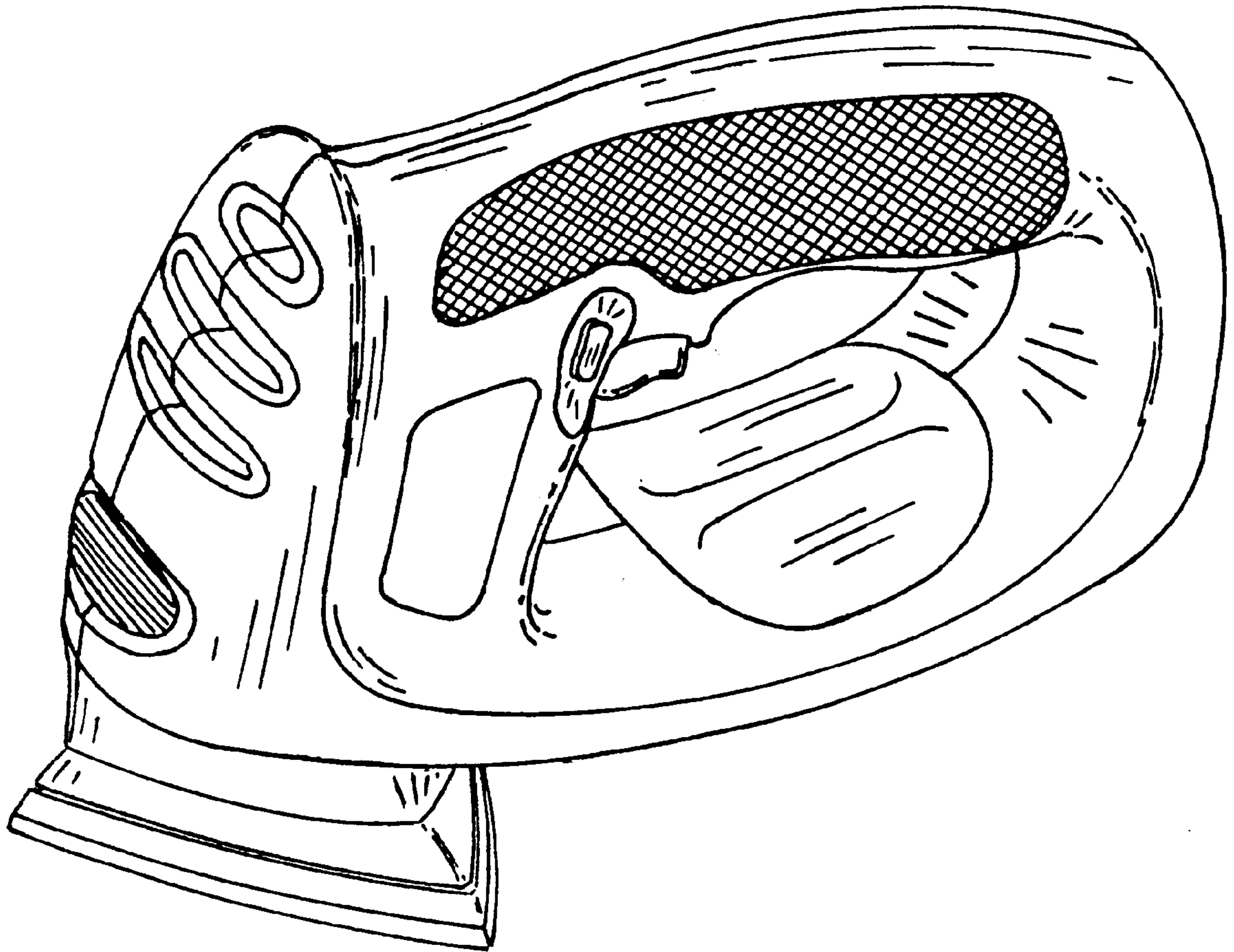


FIG. 1

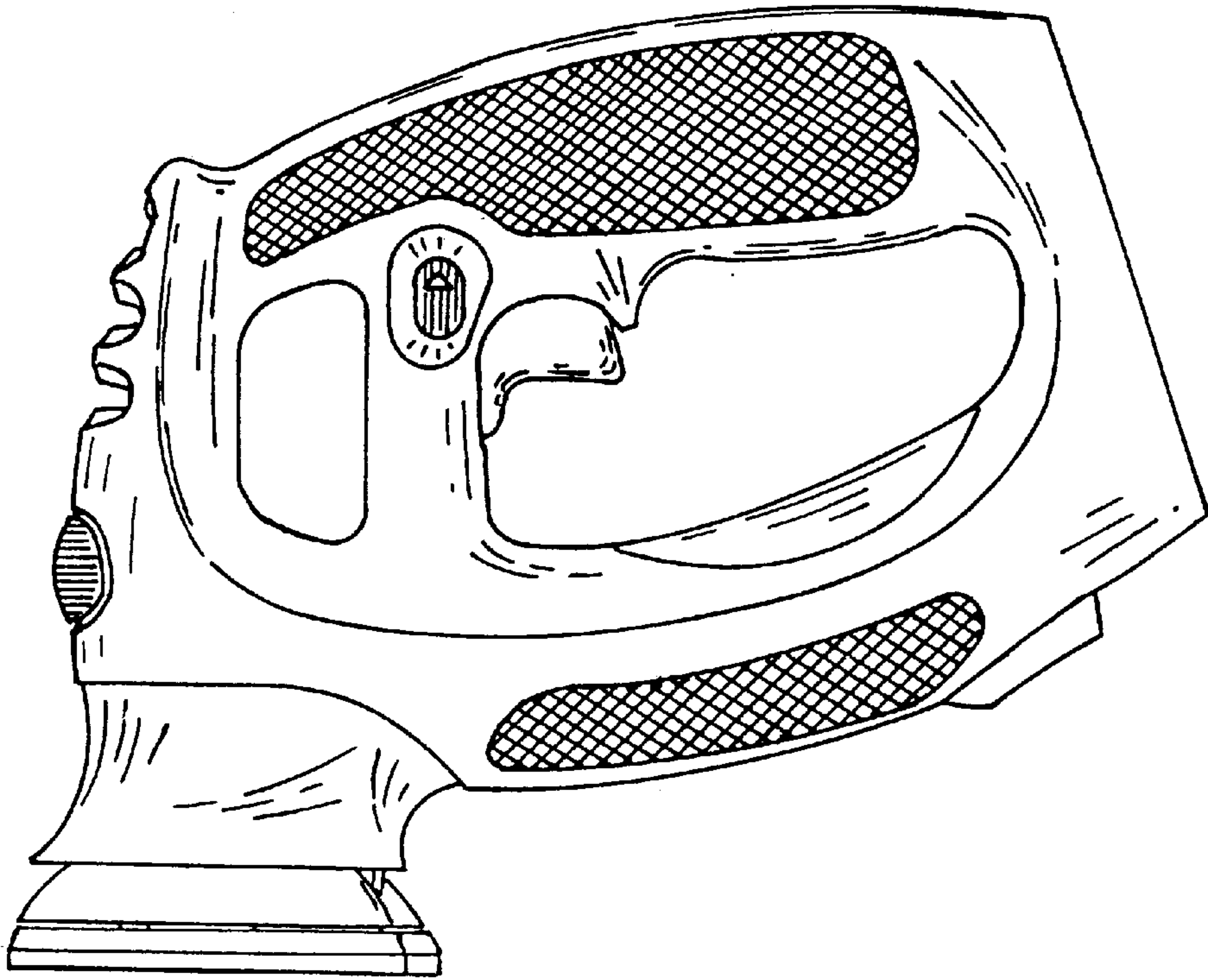


FIG. 2

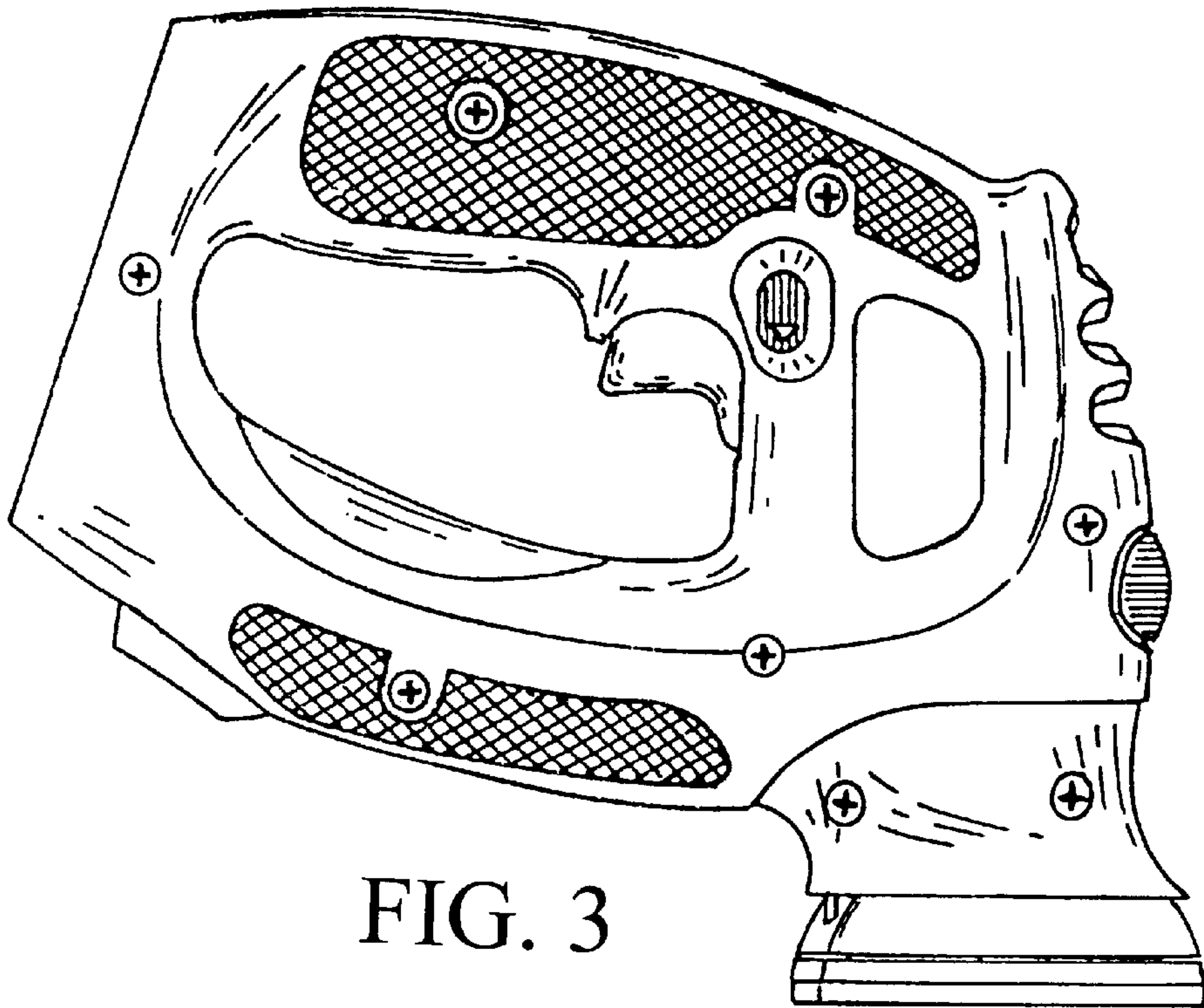


FIG. 3



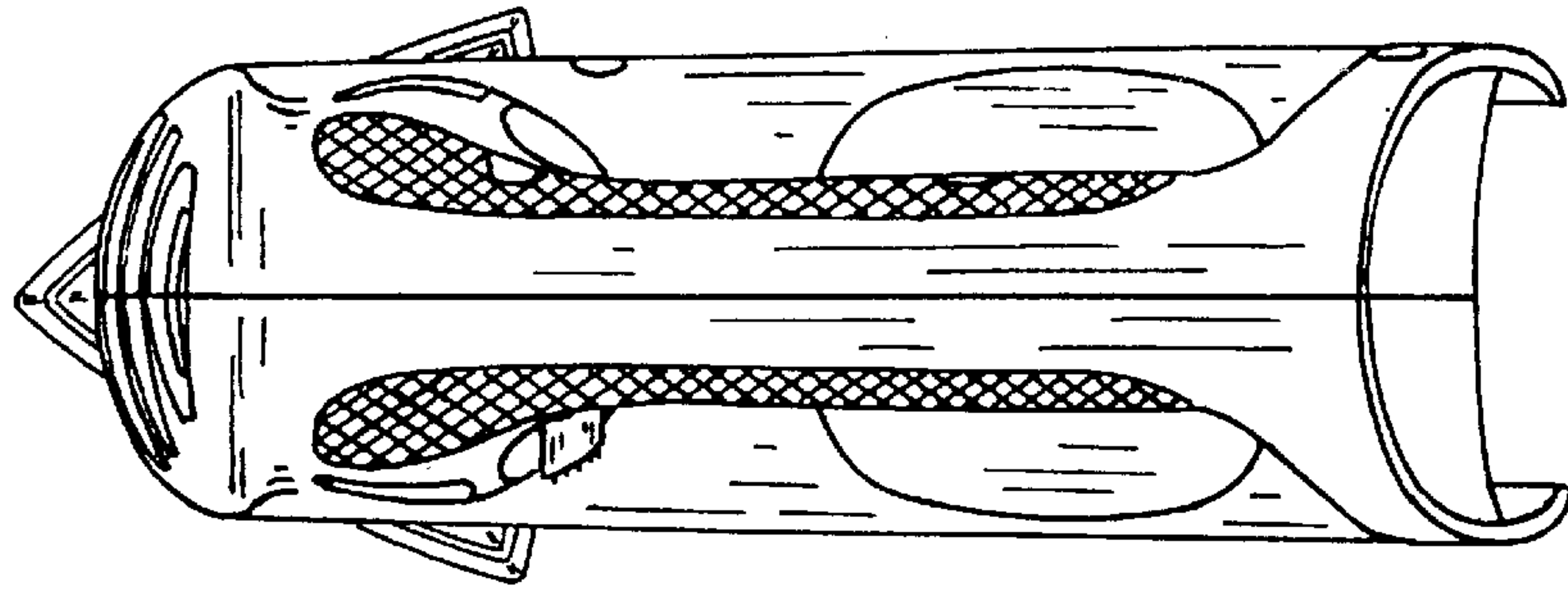


FIG. 4

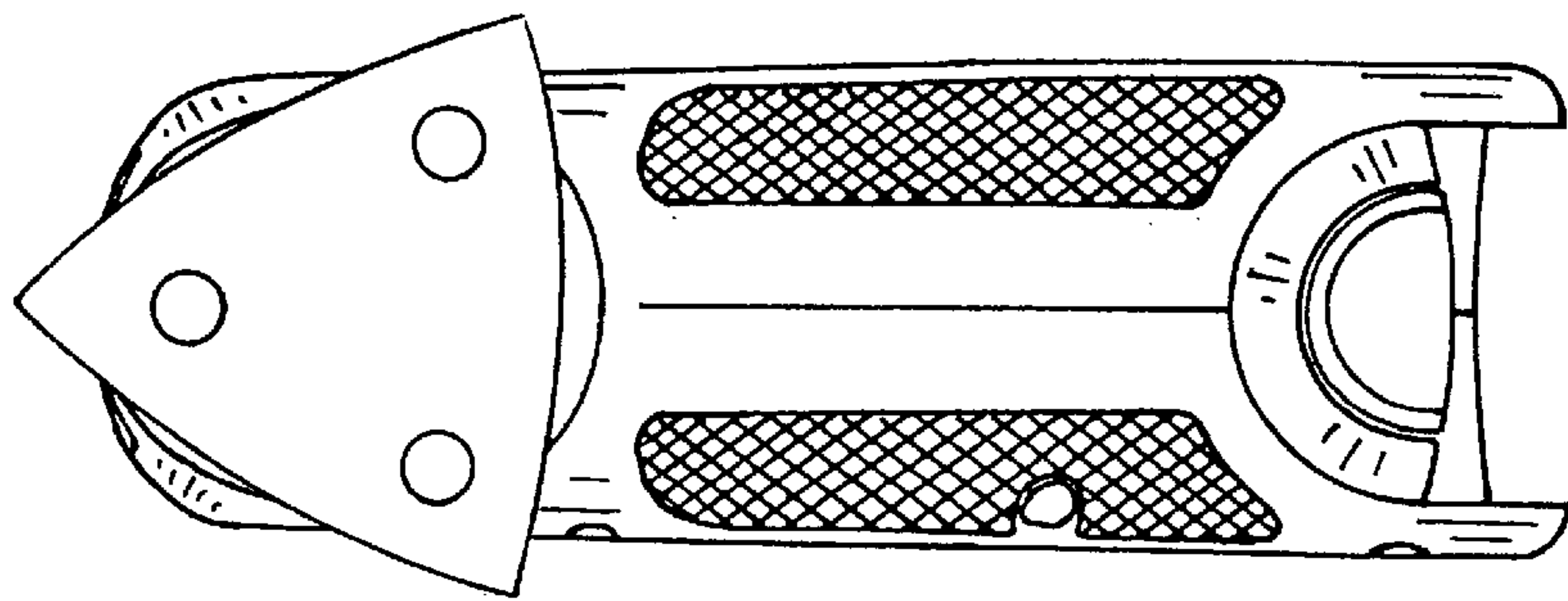


FIG. 5

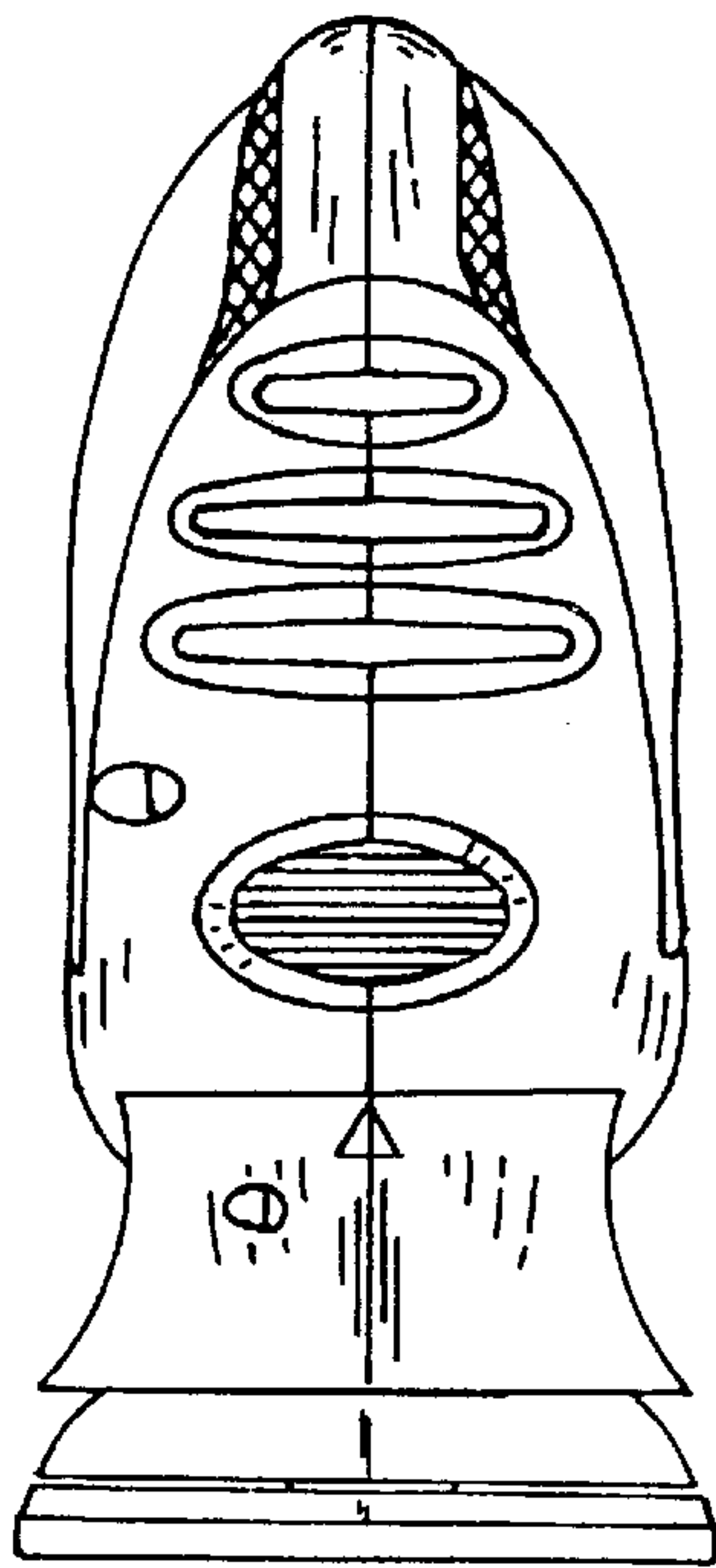


FIG. 6

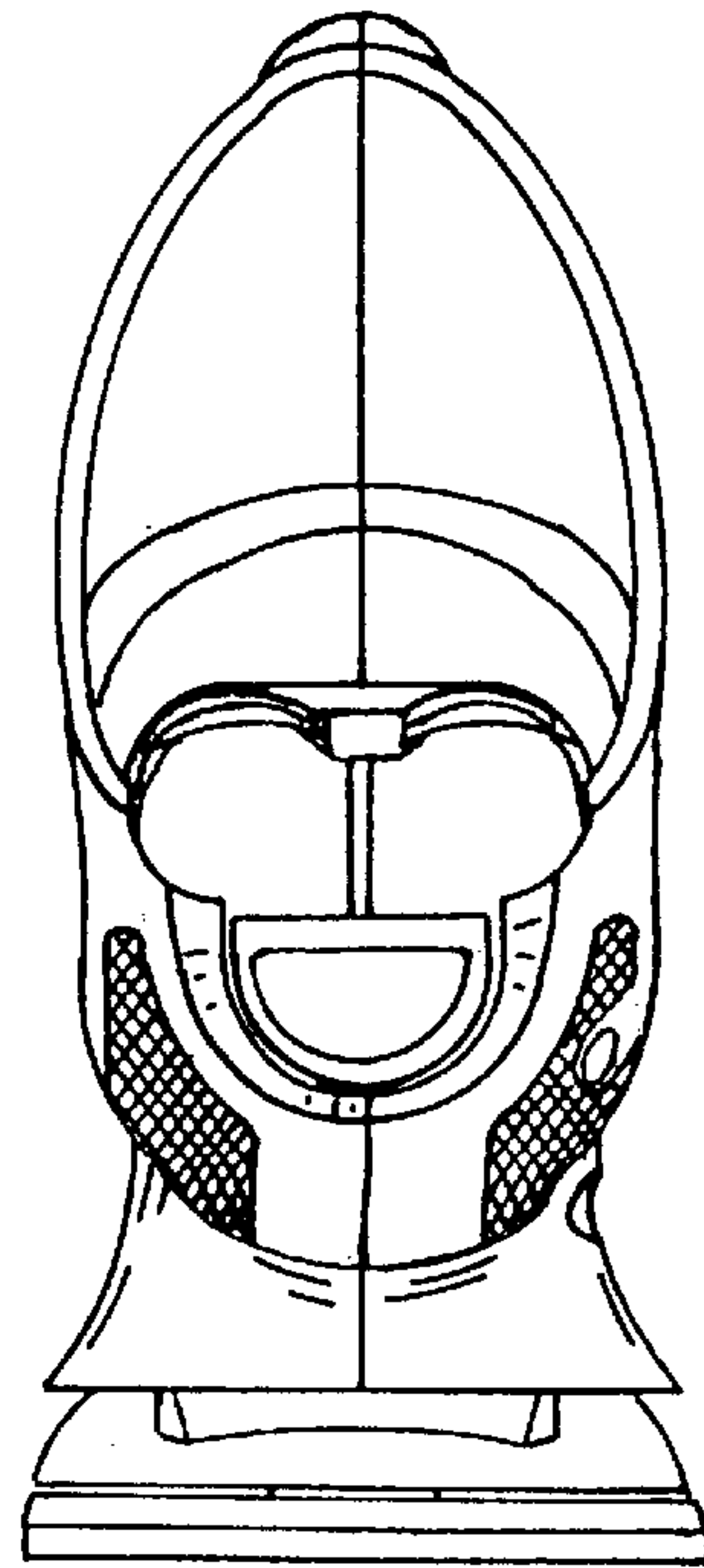


FIG. 7