



US00D413235S

United States Patent [19] Hwang

[11] Patent Number: **Des. 413,235**

[45] Date of Patent: **** Aug. 31, 1999**

[54] **SILICON GLUE INJECTOR**

[75] Inventor: **Chi-Chuan Hwang**, Changhua Hsien, Taiwan

[73] Assignee: **Kai Shyun Enterprise Co, Ltd.**, Changhua Hsien, Taiwan

[**] Term: **14 Years**

[21] Appl. No.: **29/090,628**

[22] Filed: **Jul. 13, 1998**

[51] **LOC (6) Cl.** **08-05**

[52] **U.S. Cl.** **D8/14.1**

[58] **Field of Search** D8/14.1; 222/309, 222/321.1-321.9, 323, 325, 326, 327, 391, 386

[56] **References Cited**

U.S. PATENT DOCUMENTS

D. 170,428 9/1953 Peterson D8/14.1

D. 285,895 9/1986 Cox D8/14.1
D. 349,438 8/1994 Owens D8/14.1
D. 369,285 4/1996 Leech D8/14.1
D. 388,672 1/1998 Kelders et al. D8/14.1

Primary Examiner—Terry A. Wallace
Attorney, Agent, or Firm—Bacon & Thomas, PLLC

[57] **CLAIM**

The ornamental design for “silicon glue injector,” as shown and described.

DESCRIPTION

FIG. 1 is a perspective view of silicon glue injector showing my new design.

FIG. 2 is a front view thereof;

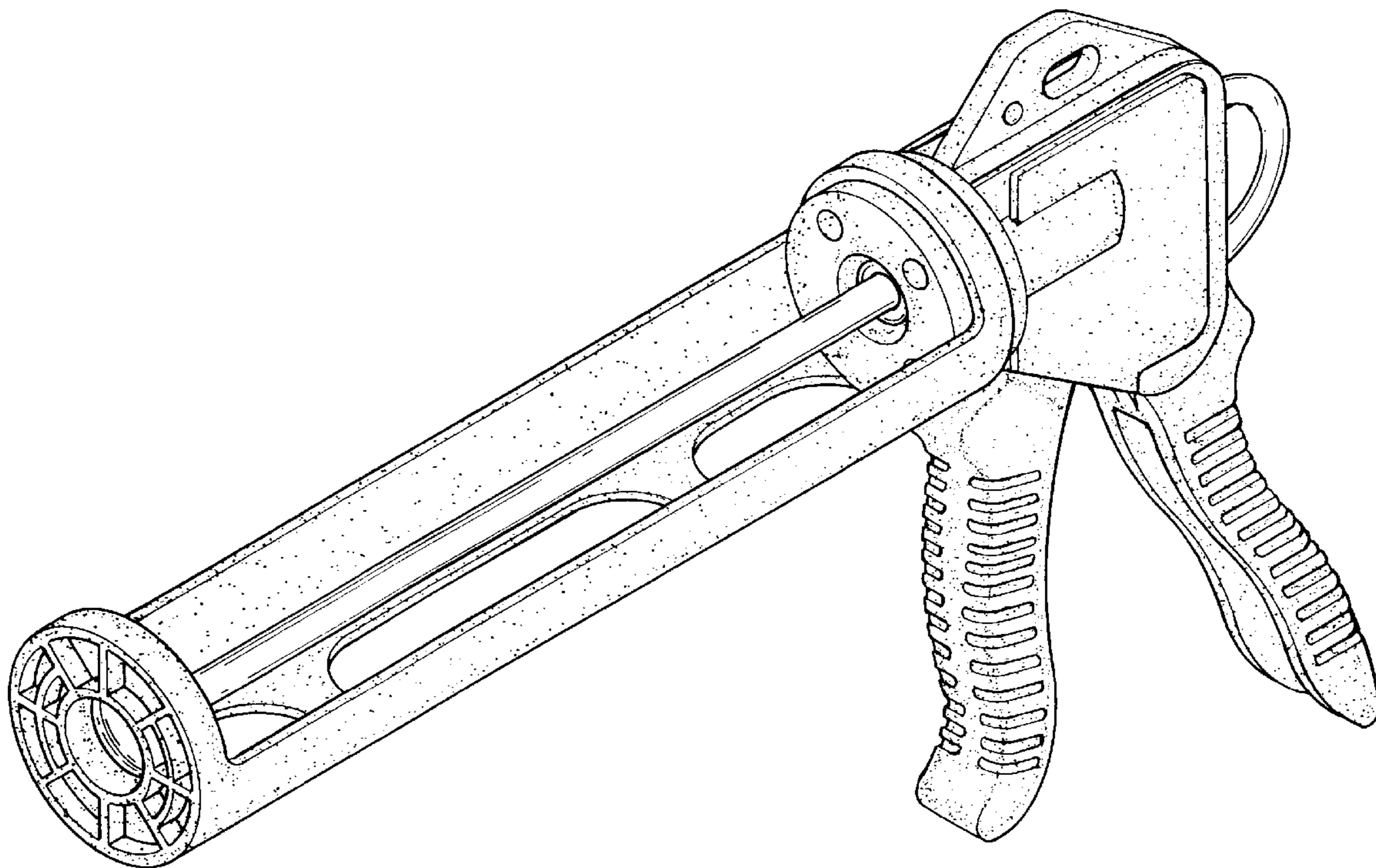
FIG. 3 is a rear view thereof;

FIG. 4 is a left side view thereof, the right side is identical;

FIG. 5 is top view thereof; and,

FIG. 6 is a bottom view thereof.

1 Claim, 4 Drawing Sheets



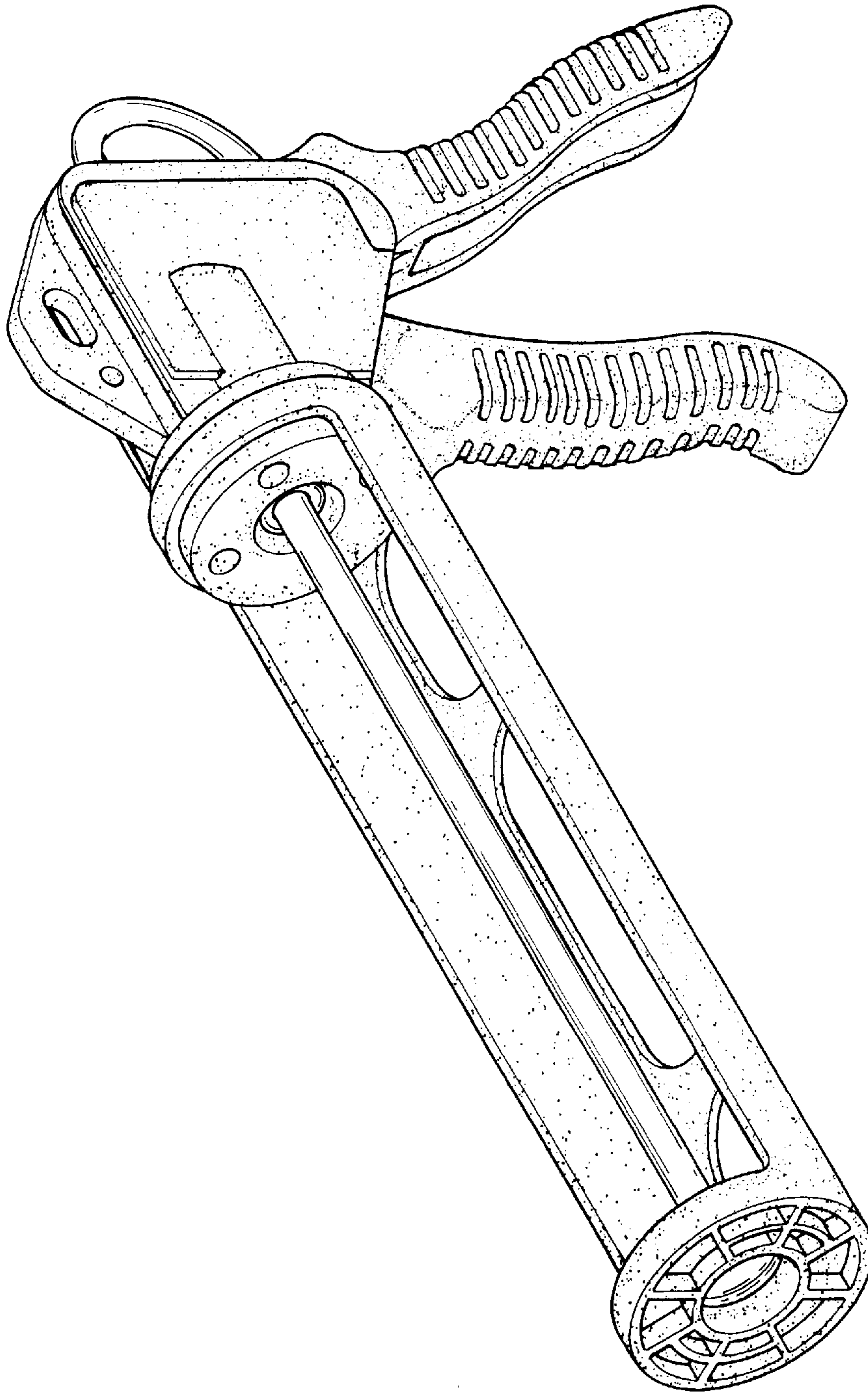


FIG. 1

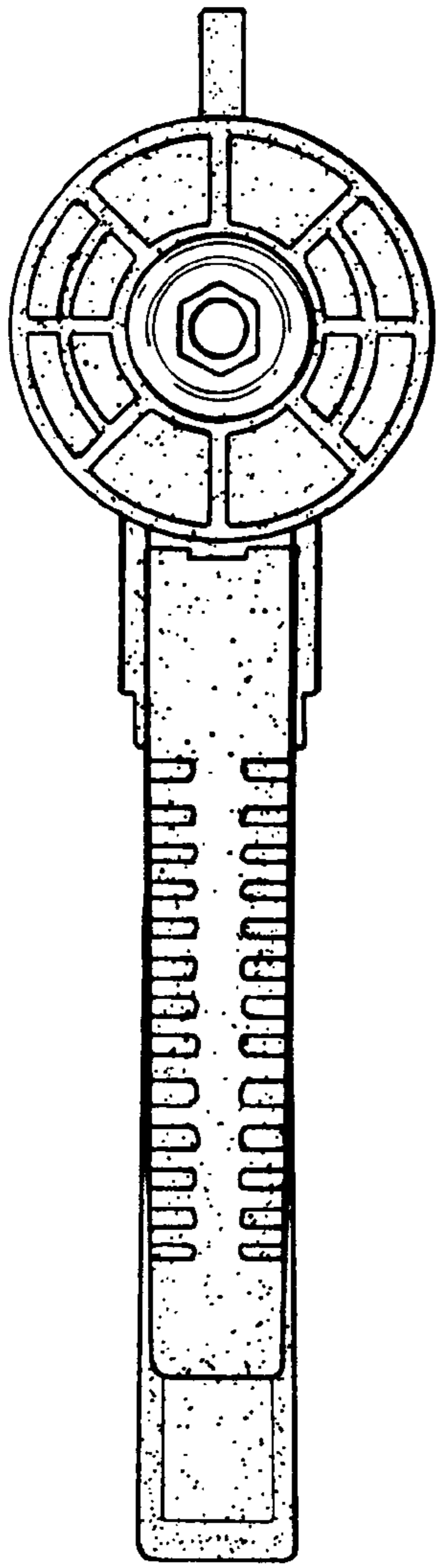


FIG. 2

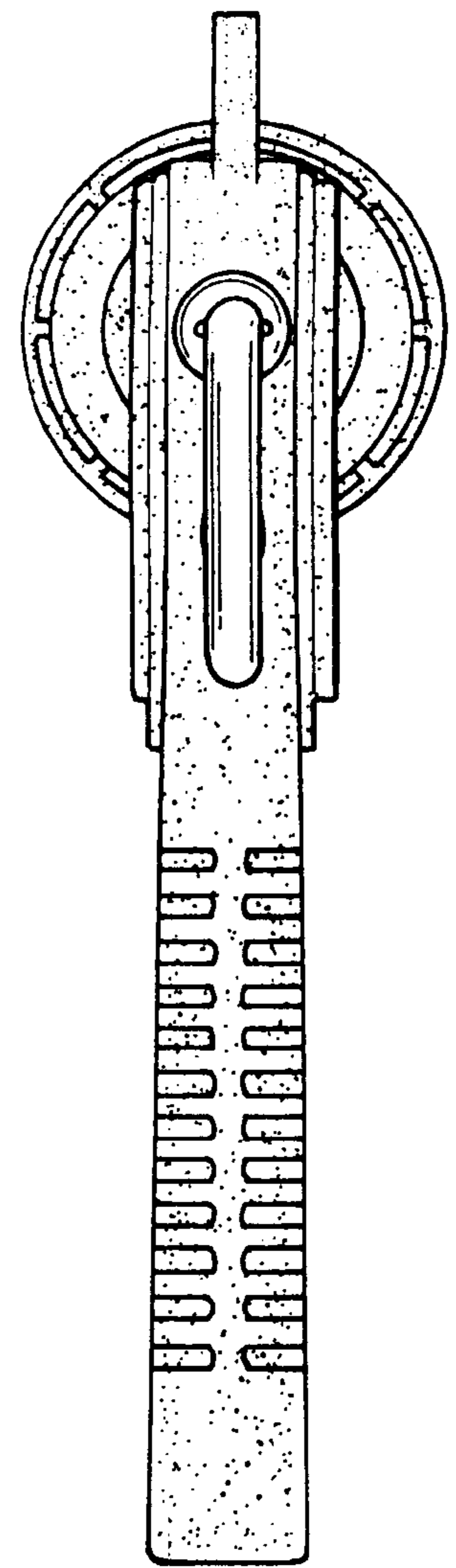


FIG. 3

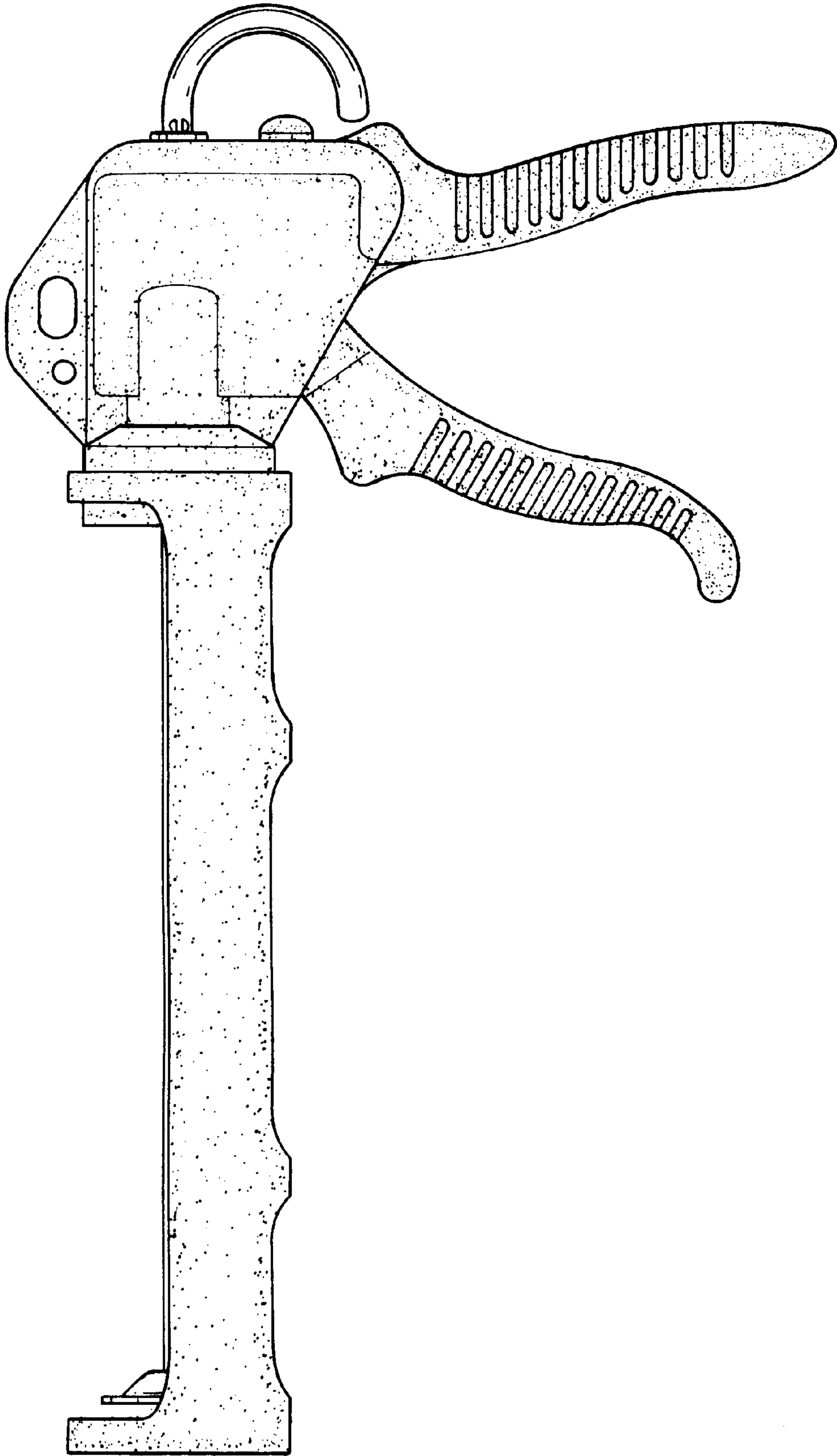


FIG. 4

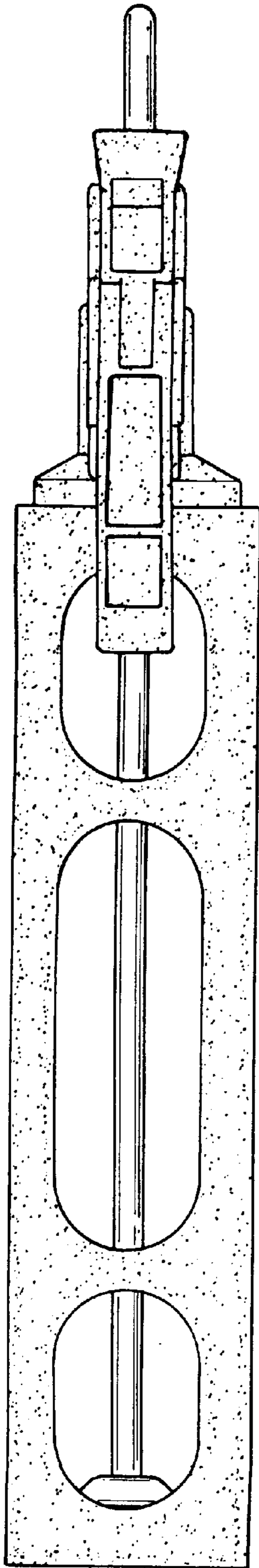


FIG. 5

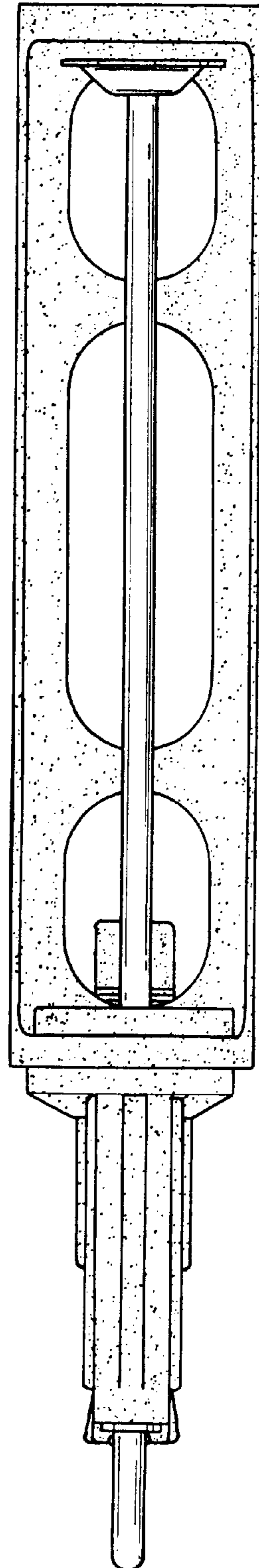


FIG. 6