



US00D413233S

**United States Patent** [19]  
**Allison**

[11] **Patent Number: Des. 413,233**

[45] **Date of Patent: \*\* Aug. 31, 1999**

[54] **PLANT PROTECTOR SUPPORT**

2,764,846 10/1956 Worthington ..... 47/47  
5,595,019 1/1997 Foreman ..... 47/47

[76] Inventor: **Ian T. Allison**, P.O. Box 1705, Santa Rosa, Calif. 95402

**OTHER PUBLICATIONS**

[\*\*] Term: **14 Years**

A. M. Leonard, Inc., Plant Guard & Supports 22305, Fall 1986, p. 28, Aug. 27, 1997.

[21] Appl. No.: **29/064,996**

*Primary Examiner*—Louis S. Zarfes

[22] Filed: **Jan. 16, 1997**

*Assistant Examiner*—Catherine R. Oliver

[51] **LOC (6) Cl.** ..... **08-01**

[57] **CLAIM**

[52] **U.S. Cl.** ..... **D8/1**

The ornamental design for a plant protector support, as shown.

[58] **Field of Search** ..... D8/1; 47/44, 45, 47/46, 47; D25/100, 101

**DESCRIPTION**

[56] **References Cited**

FIG. 1 is a front elevation view of the plant protector support showing my new design.

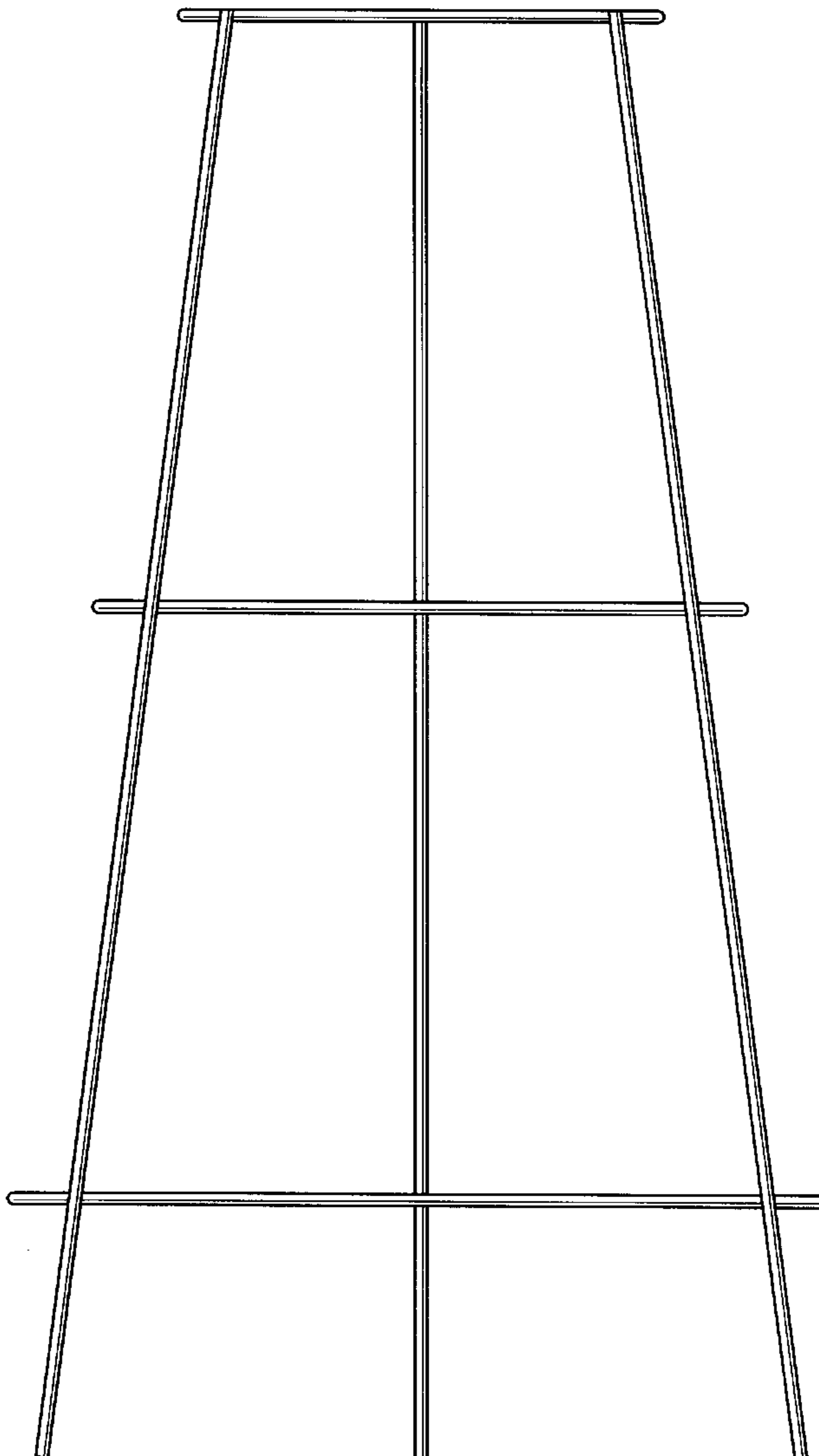
**U.S. PATENT DOCUMENTS**

FIG. 2 is a top view.

212,604	2/1879	Jenks	.....	47/47
1,843,366	2/1932	Kreimer	.....	47/47
2,009,867	7/1935	Ball	.....	47/44
2,014,175	9/1935	Hart	.....	47/44 X

FIG. 3 is a isometric view.

**1 Claim, 3 Drawing Sheets**



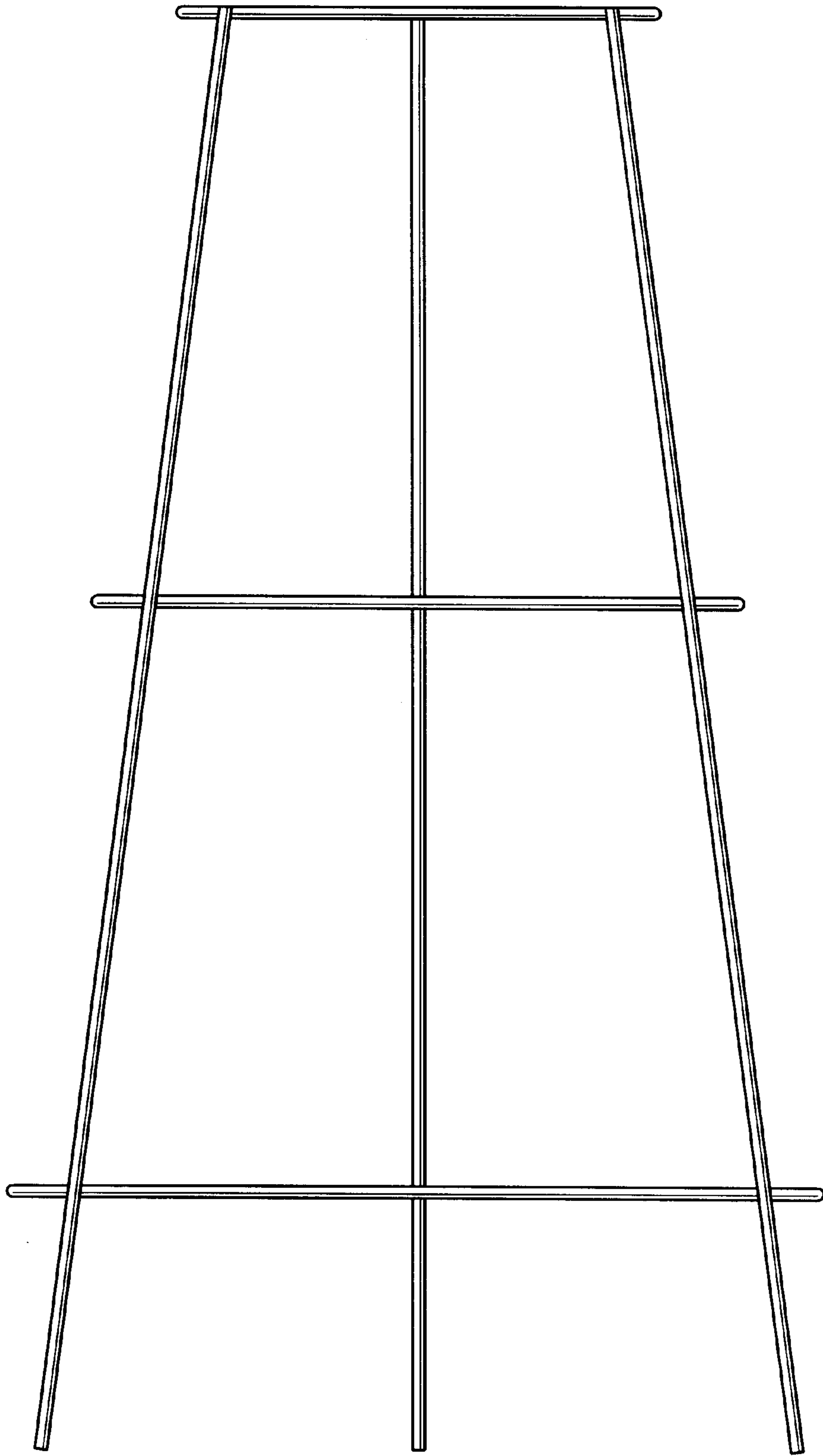


Fig. 1

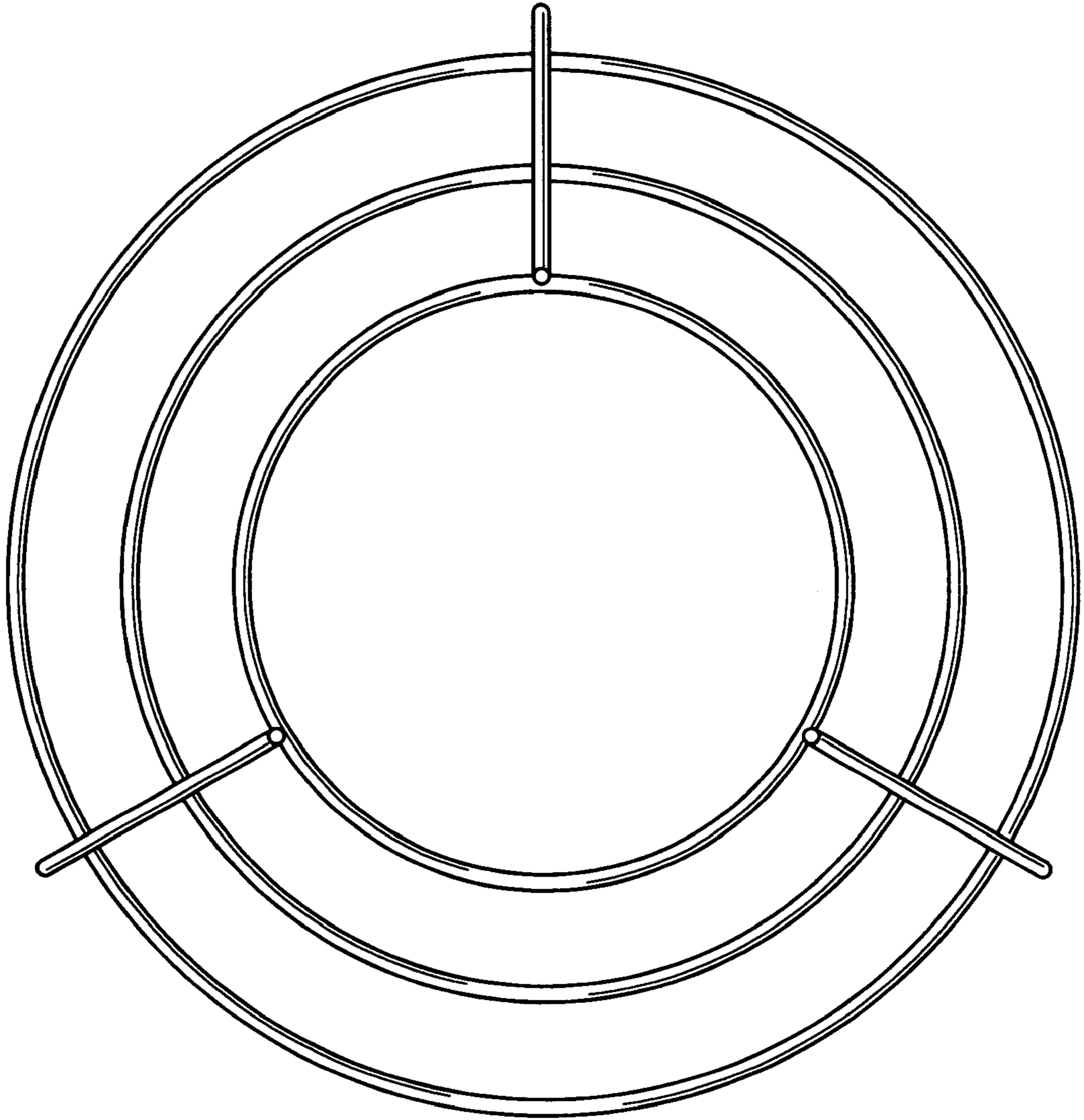


Fig. 2

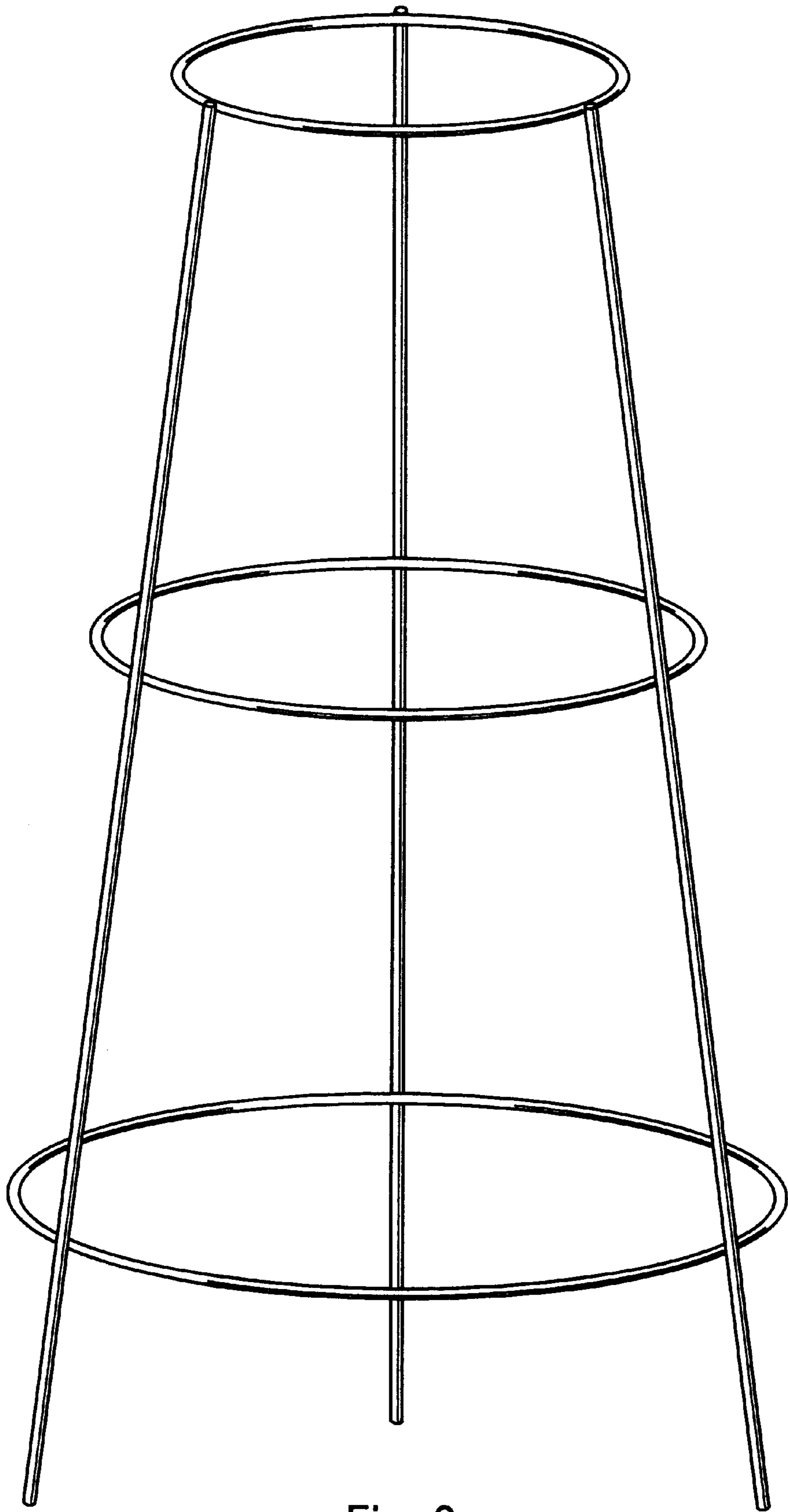


Fig. 3