



US00D413229S

# United States Patent [19]

Hopkins et al.

[11] Patent Number: **Des. 413,229**

[45] Date of Patent: **\*\* Aug. 31, 1999**

[54] **SHELF FOR BARBECUE GRILL STAND**

[75] Inventors: **LaDon Hopkins; Wesley J. Wagner,**  
both of Columbus, Ga.; **Jeff Brant,**  
Dublin, Ohio

[73] Assignee: **W. C. Bradley Company,** Columbus,  
Ga.

[\*\*] Term: **14 Years**

[21] Appl. No.: **29/074,810**

[22] Filed: **Aug. 8, 1997**

[51] **LOC (6) Cl.** ..... **07-02**

[52] **U.S. Cl.** ..... **D7/406**

[58] **Field of Search** ..... D7/332-338, 402-404,  
D7/406, 409; 99/419, 421 R, 421 A, 421 HV,  
421 HH, 421 TP, 421 V; 126/25 R, 25 A,  
25 AA, 26, 9 B, 40, 41 R, 41 A, 41 B;  
D6/567, 574, 511; 108/47, 65, 69, 152,  
155, 159

[56] **References Cited**

**U.S. PATENT DOCUMENTS**

D. 298,406 11/1988 Stephen et al. .... D7/402

D. 362,370	9/1995	Wiese .....	D7/402
D. 375,436	11/1996	Bird et al. ....	D7/403
D. 377,734	2/1997	Bird et al. ....	D7/402
4,331,123	5/1982	Alles .....	126/9 R
4,688,541	8/1987	Stephen et al. ....	D7/402
5,582,094	12/1996	Peterson et al. ....	99/445
5,666,941	9/1997	Teufel et al. ....	126/41 R
5,694,917	12/1997	Giebel et al. ....	126/41 R

*Primary Examiner*—Ruth McInroy  
*Attorney, Agent, or Firm*—Thomas, Kayden, Horstemeyer  
& Risley, LLP

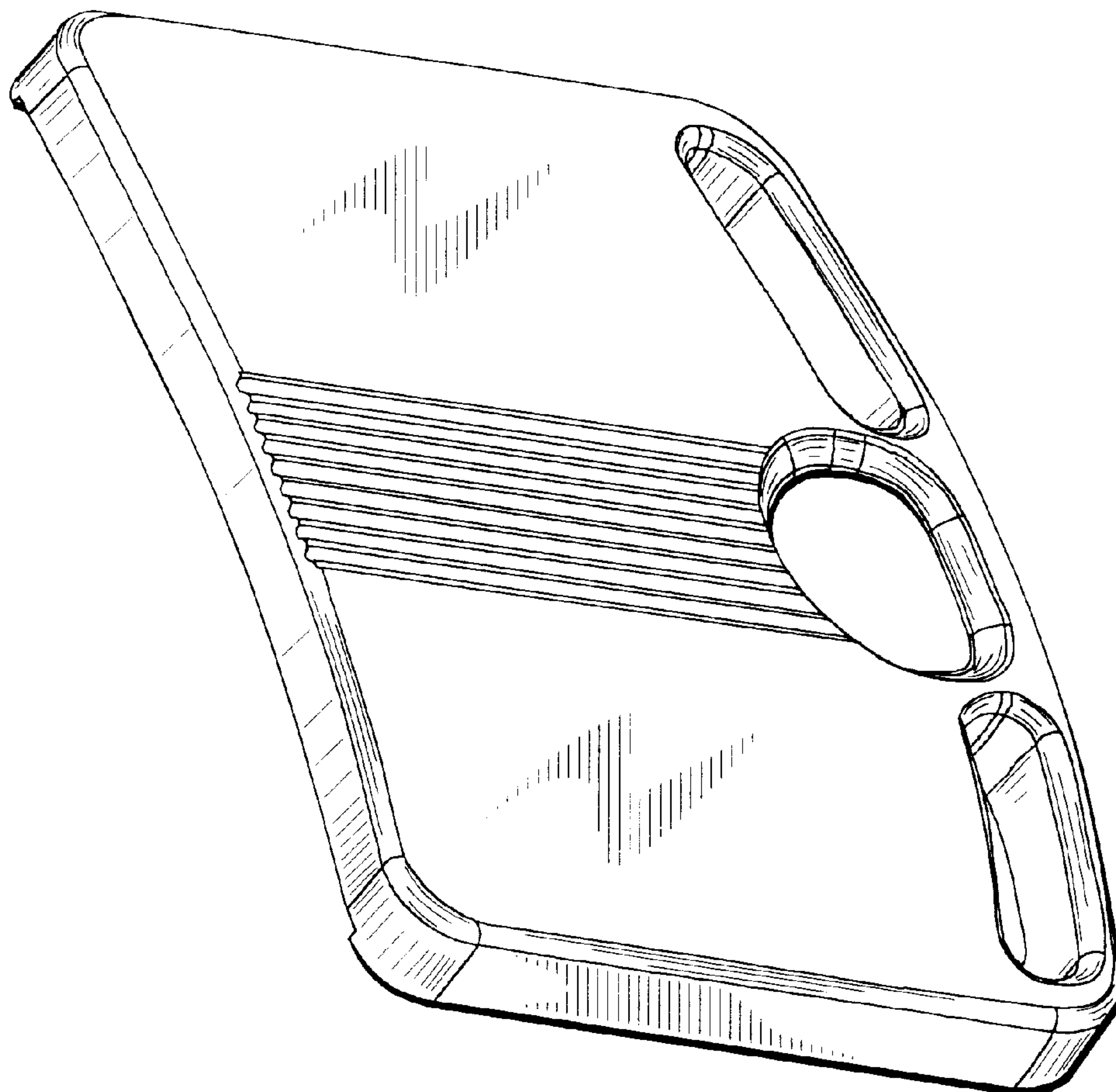
[57] **CLAIM**

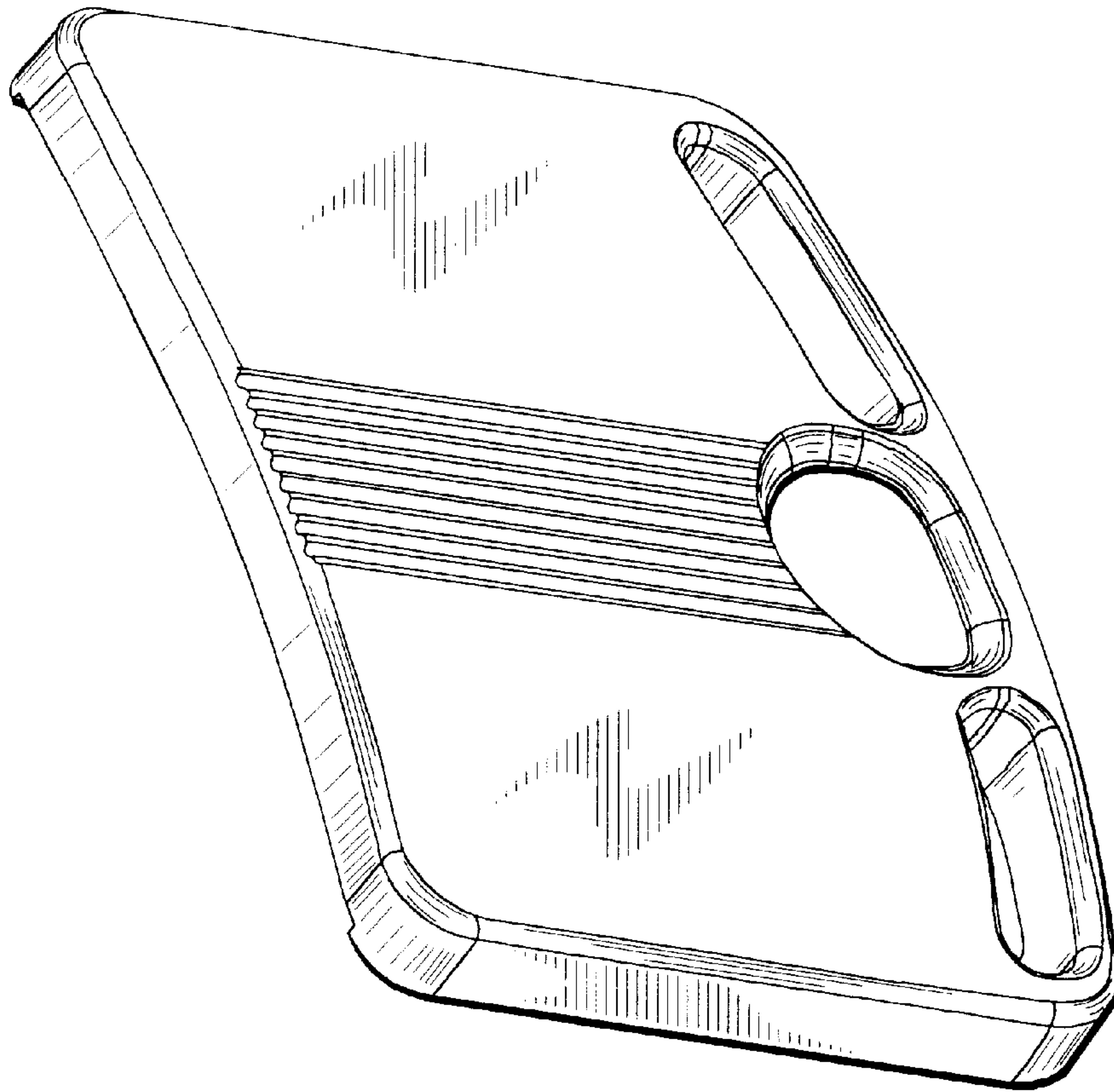
The ornamental design for a shelf for barbecue grill stand,  
as shown and described.

**DESCRIPTION**

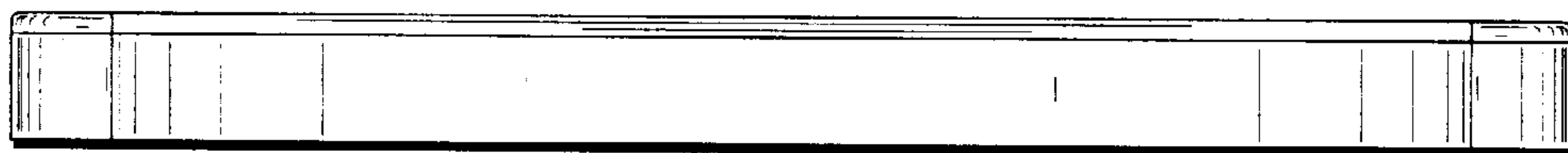
FIG. 1 is a perspective view of a shelf for barbecue grill  
stand showing our new design;  
FIG. 2 is a right side elevational view thereof;  
FIG. 3 is a left side elevational view thereof;  
FIG. 4 is a top plan view thereof;  
FIG. 5 is a bottom plan view thereof;  
FIG. 6 is a front elevational view thereof; and,  
FIG. 7 is a rear elevational view thereof.

**1 Claim, 3 Drawing Sheets**

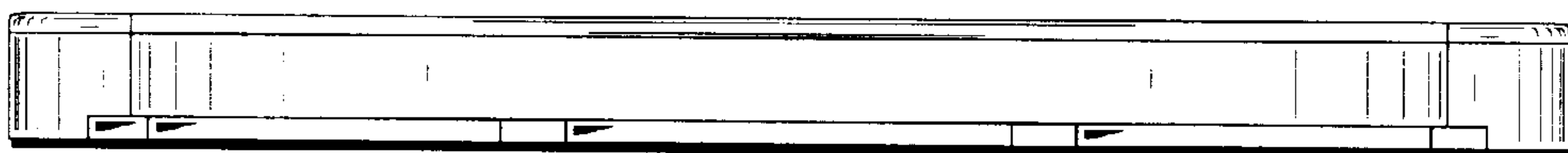




**FIG. 1**

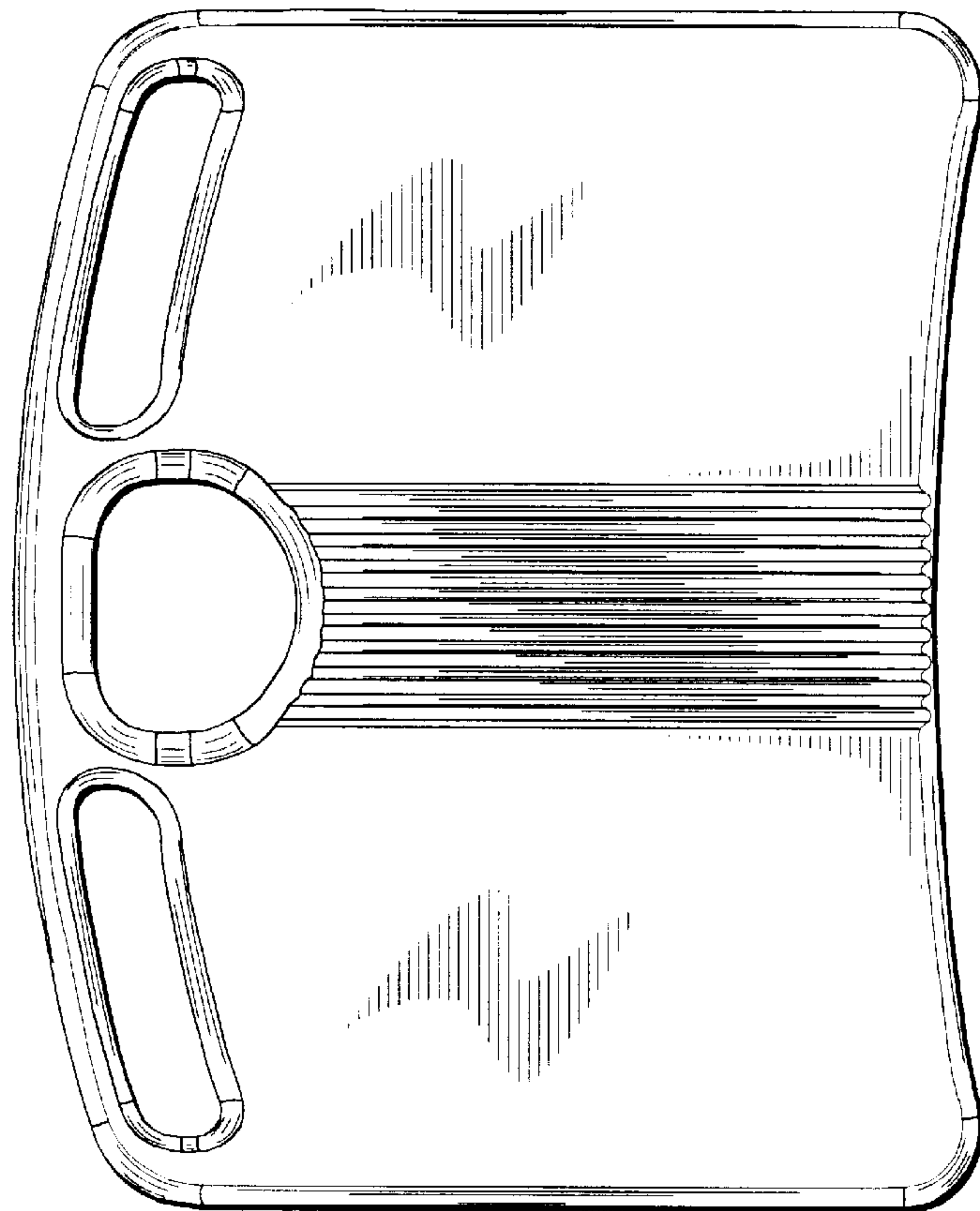


**FIG. 2**

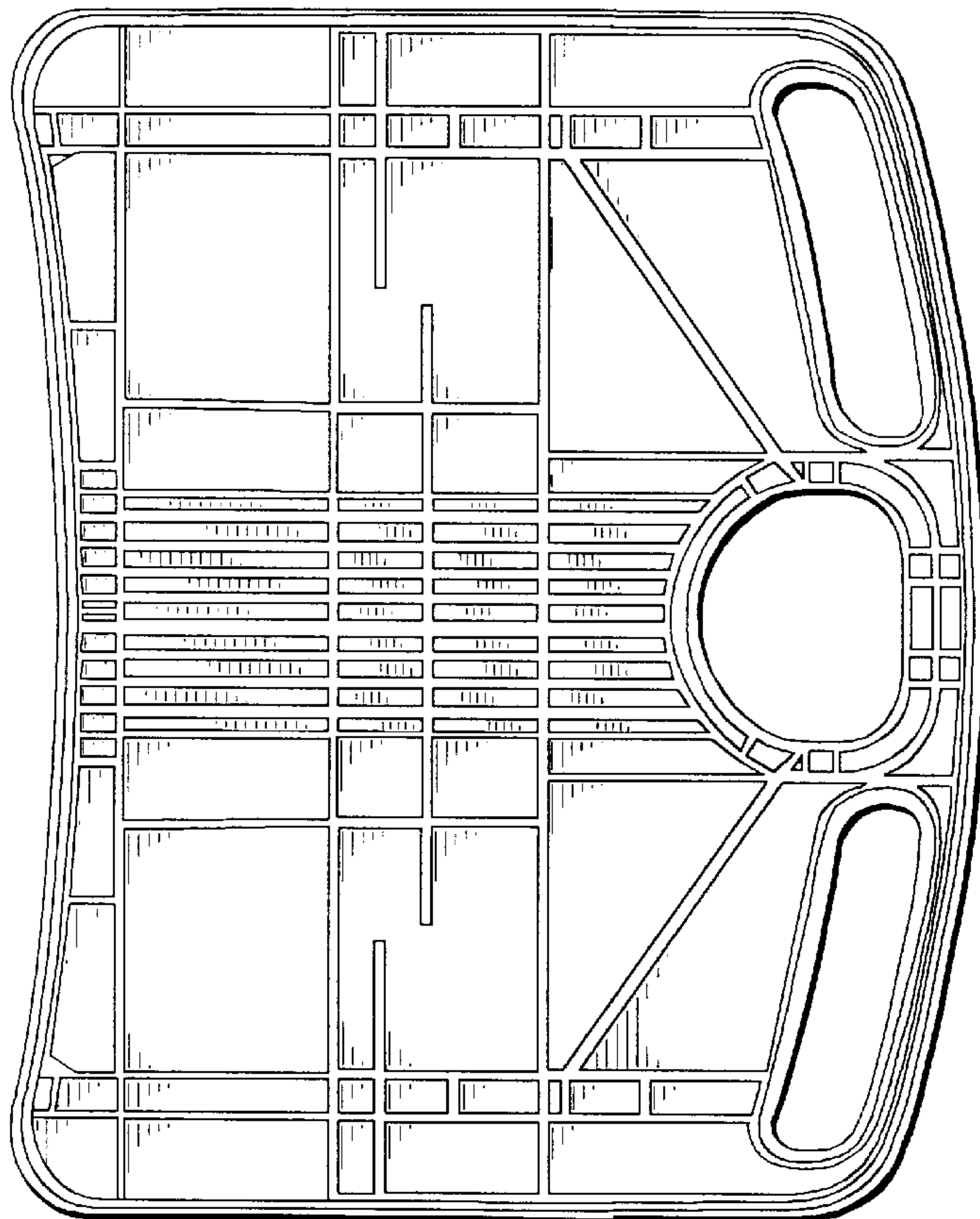


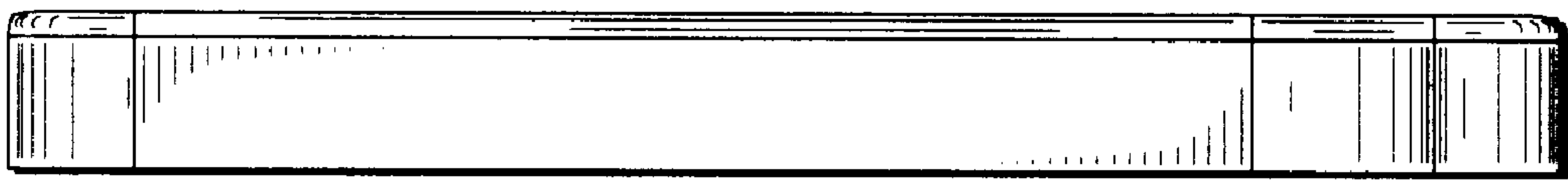
**FIG. 3**

**FIG. 4**

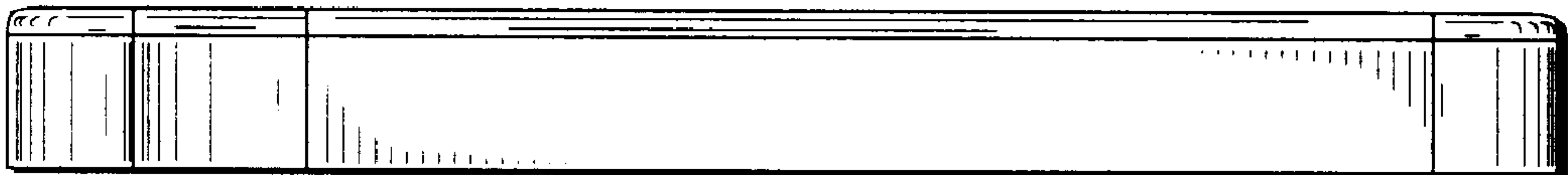


**FIG. 5**





**FIG. 6**



**FIG. 7**