



US00D413228S

United States Patent [19]

Michaeli

[11] **Patent Number: Des. 413,228**

[45] **Date of Patent: ** Aug. 31, 1999**

[54] **INTEGRAL BASE FOR A DRINKING GLASS**

[75] Inventor: **Joseph Michaeli**, Larchmont, N.Y.

[73] Assignee: **Novelty Crystal Corporation**,
Elmhurst, N.Y.

[**] Term: **14 Years**

[21] Appl. No.: **29/086,671**

[22] Filed: **Apr. 17, 1998**

[51] **LOC (6) Cl.** **07-99**

[52] **U.S. Cl.** **D7/396.6; D7/396.2; D7/528**

[58] **Field of Search** **D7/624, 522, 524,**
D7/525, 528, 537, 396.1, 396.2, 396.6;
220/667, 771; 215/382

[56] **References Cited**

U.S. PATENT DOCUMENTS

D. 102,817 1/1937 Cunningham D7/528

D. 234,112 1/1975 Achenbach D7/528
D. 285,516 9/1986 Miller D7/528
D. 308,791 6/1990 Durand D7/526
D. 395,197 6/1998 Janku et al. D7/396.6

Primary Examiner—M. N. Pandozzi
Attorney, Agent, or Firm—Buchanan Ingersoll, P.C.

[57] **CLAIM**

The ornamental design for an integral base for a drinking glass, as shown and described.

DESCRIPTION

FIG. 1 is a perspective view of my integral base for a drinking glass;
FIG. 2 is a side view thereof;
FIG. 3 is a top plan view thereof; and,
FIG. 4 is a bottom view thereof.

The broken line showing is for illustrative purposes only and forms no part of the claimed design.

1 Claim, 3 Drawing Sheets

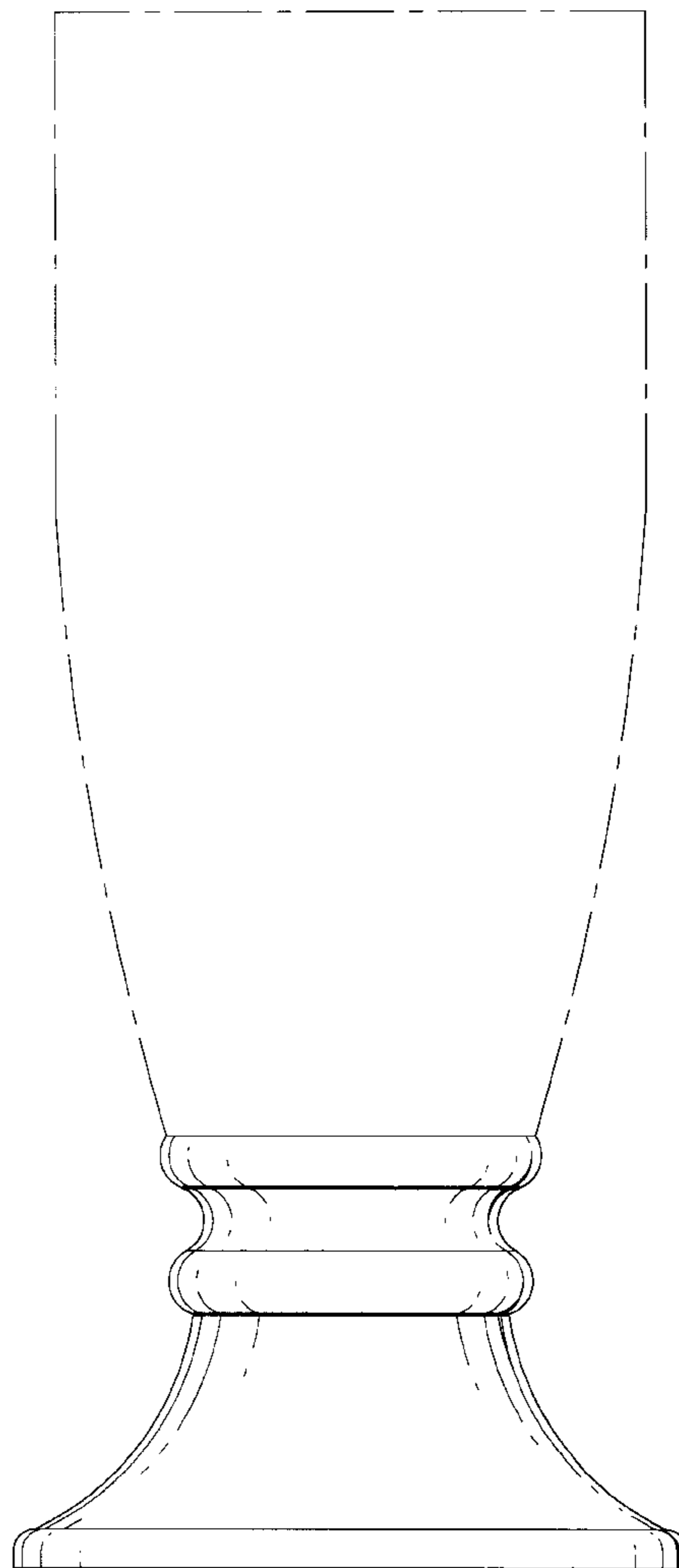
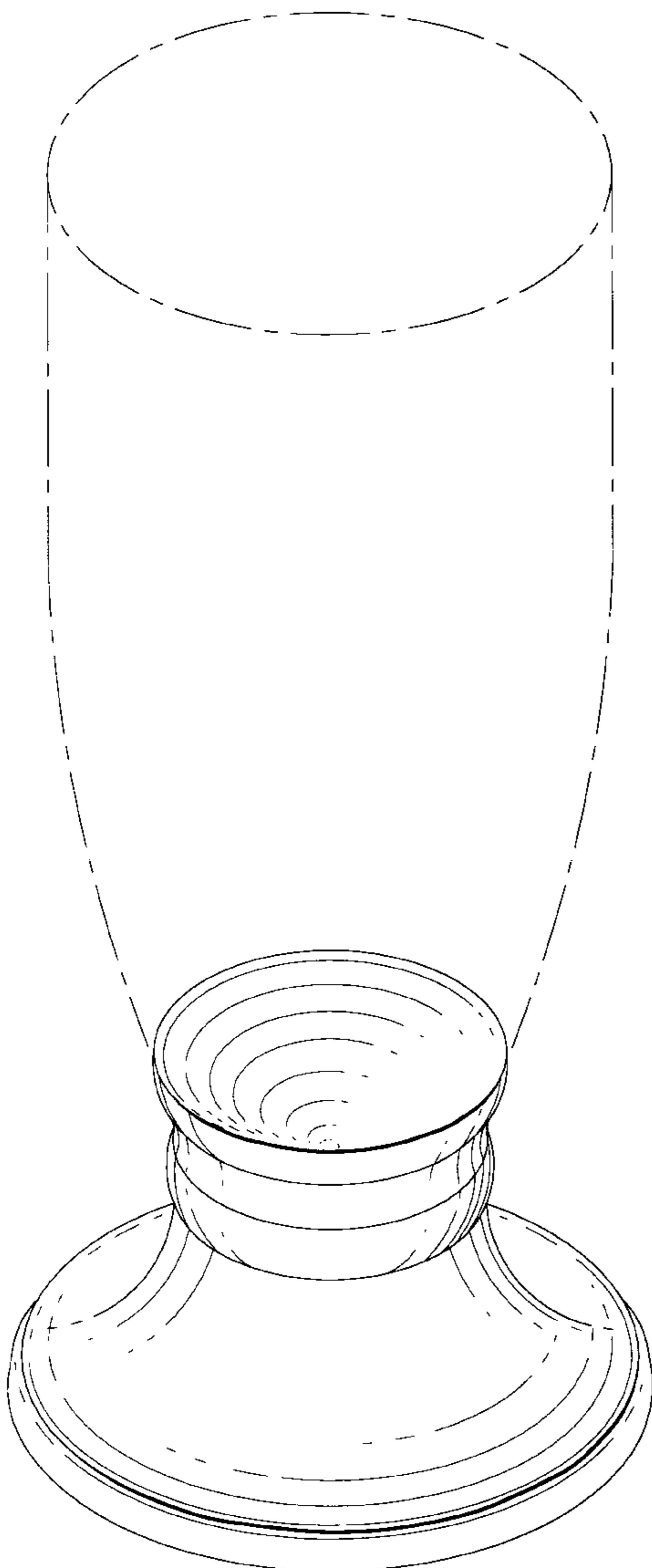
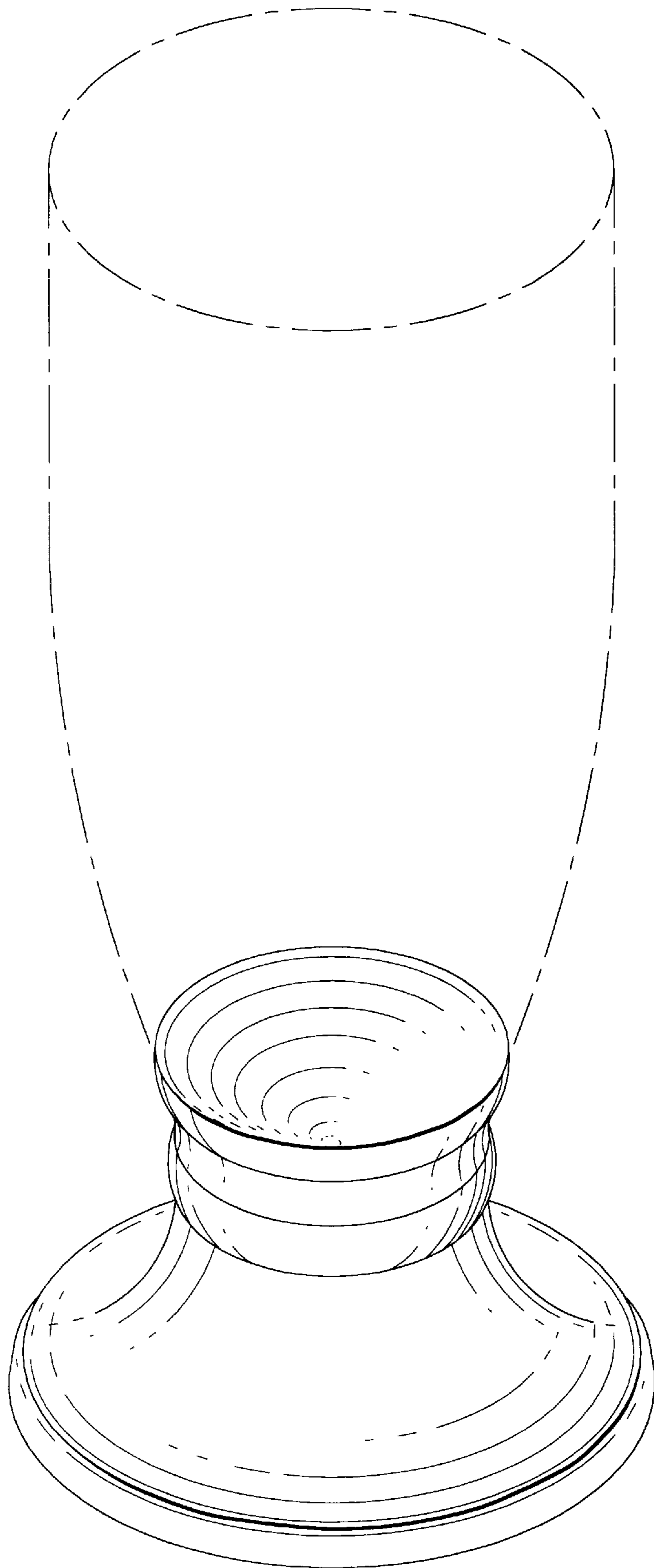


FIG. 1



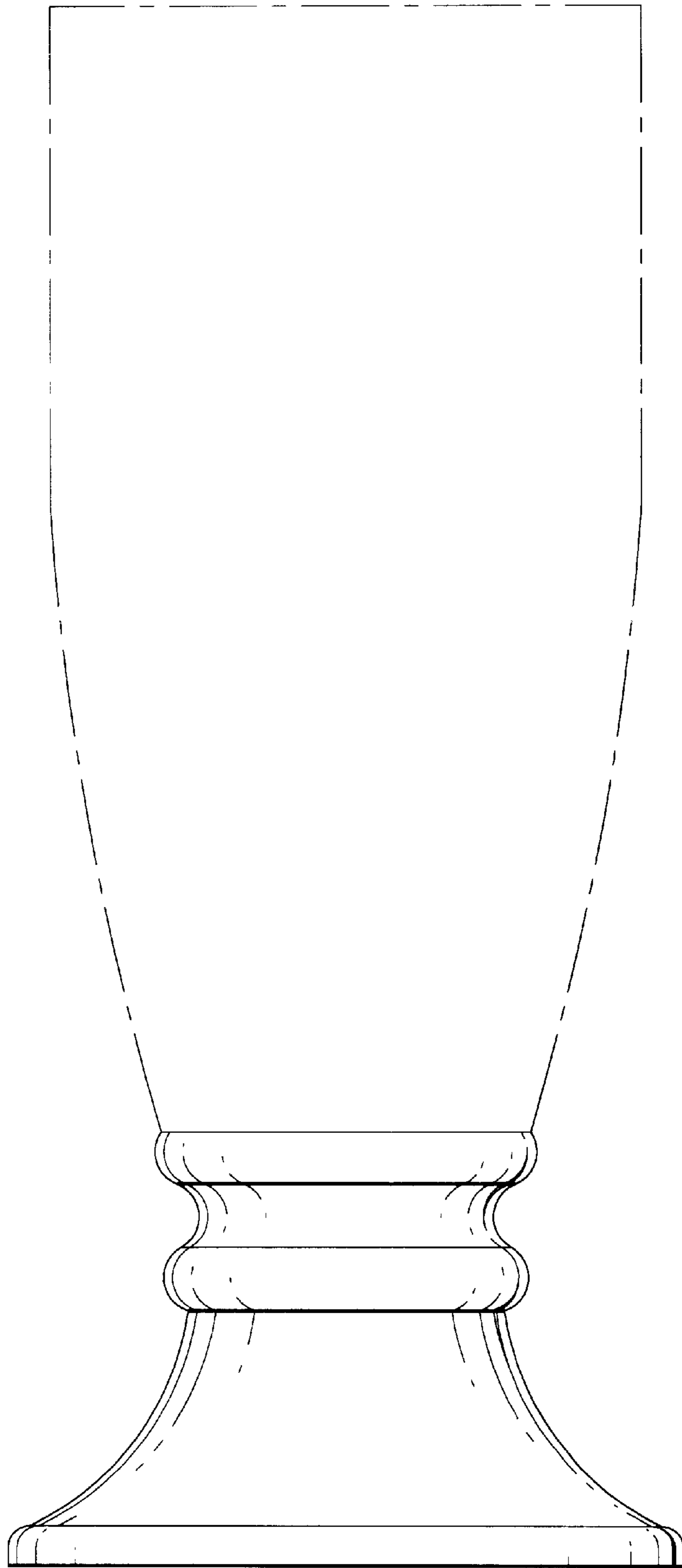


FIG. 2

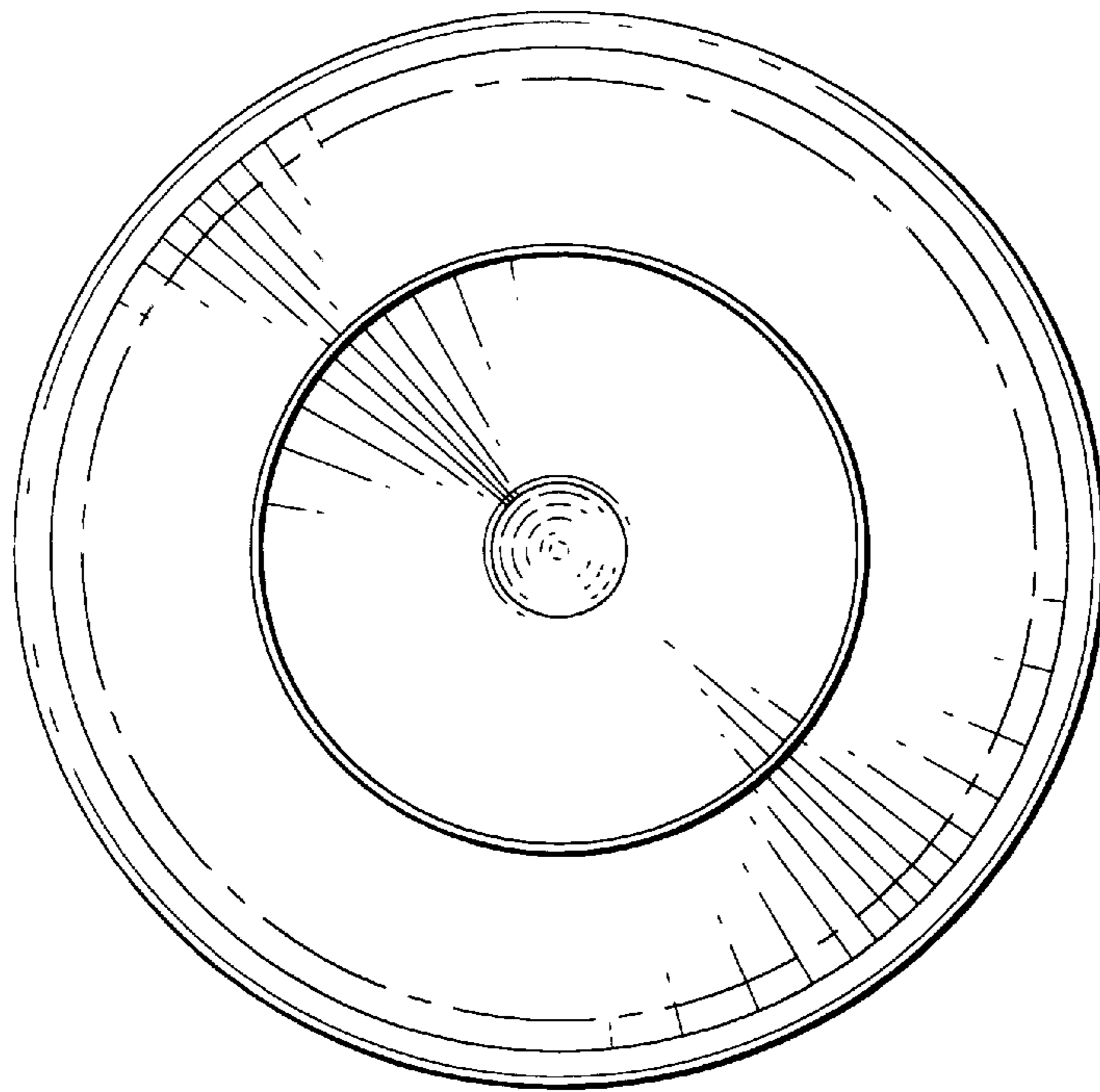


FIG. 3

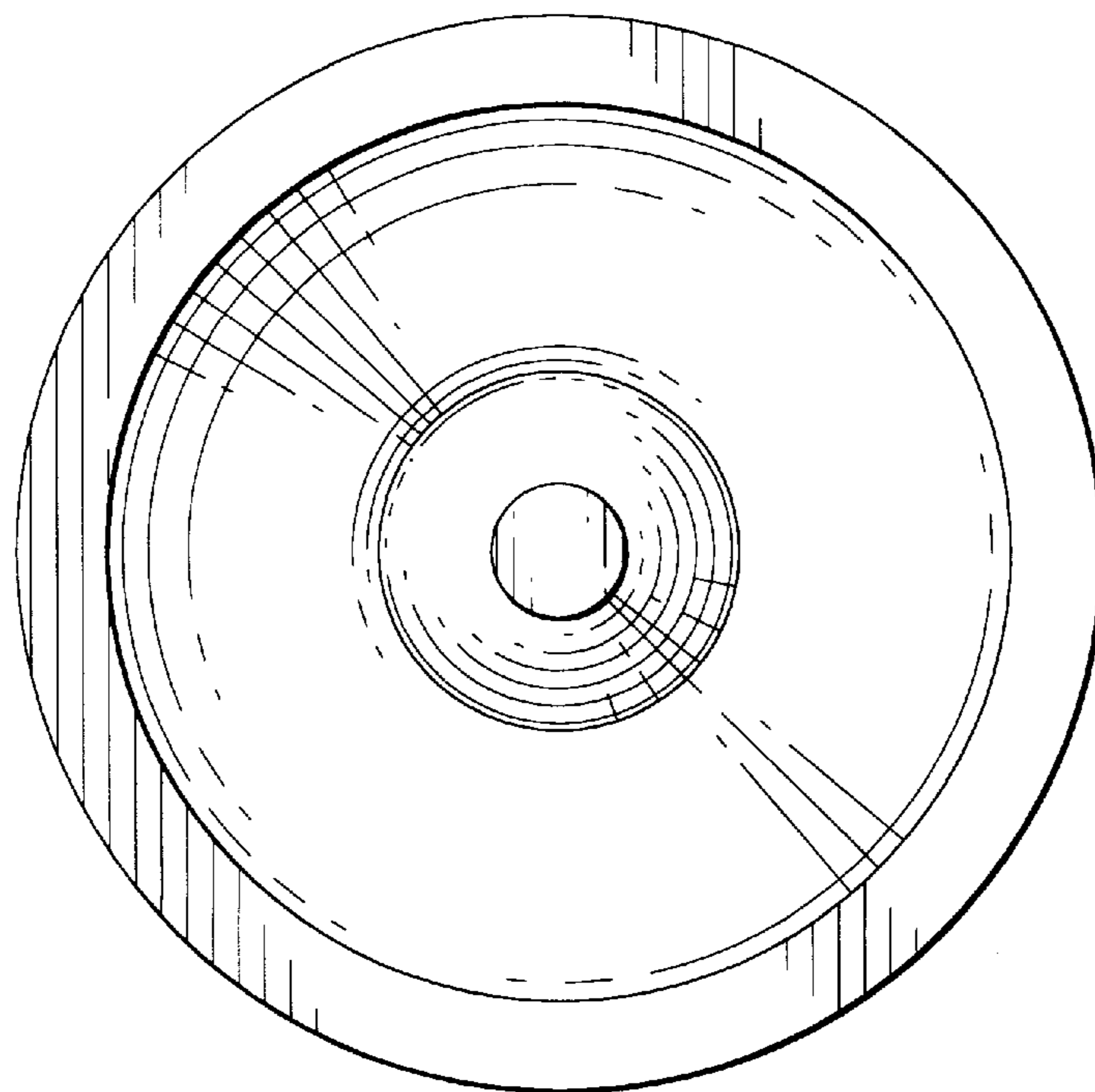


FIG. 4