



US00D413225S

United States Patent [19]
King

[11] **Patent Number: Des. 413,225**

[45] **Date of Patent: ** Aug. 31, 1999**

[54] **FRYER LIFTING LID WITH ARCHED MONORAIL SUPPORT**

[75] Inventor: **James D. King**, Kettering, Ohio

[73] Assignee: **Henny Penny Corporation**, Eaton, Ohio

[**] Term: **14 Years**

[21] Appl. No.: **29/085,544**

[22] Filed: **Mar. 25, 1998**

[51] **LOC (6) Cl.** **07-02**

[52] **U.S. Cl.** **D7/354**

[58] **Field of Search** D7/347, 354, 323, D7/387, 409, 402; 99/324, 325, 336, 355, 403, 407, 409, 410-415

4,437,159	3/1984	Waugh .	
4,508,026	4/1985	Anetsberger et al. .	
4,663,710	5/1987	Waugh et al. .	
4,721,094	1/1988	Nett .	
4,742,455	5/1988	Schreyer .	
4,848,318	7/1989	Brewer .	
4,913,038	4/1990	Burkett et al. .	
4,930,408	6/1990	King et al. .	
4,997,101	3/1991	King et al. .	
5,033,368	7/1991	Brewer .	
5,402,712	4/1995	King et al. .	
5,473,976	12/1995	Hermansson	99/349

Primary Examiner—Caron D. Veynar
Attorney, Agent, or Firm—Baker & Botts, L.L.P.

[57] **CLAIM**

The ornamental design for a fryer lifting lid with arched monorail support, as shown and described.

DESCRIPTION

FIG. 1 is a perspective view of a fryer lifting lid with arched monorail support according to my design;

FIG. 2 is a first side view of a fryer lifting lid with arched monorail support, as shown in FIG. 1.

FIG. 3 is a second side view of a fryer lifting lid with arched monorail support, as shown in FIG. 1.

FIG. 4 is a frontal view of a fryer lifting lid with arched monorail support, as shown in FIG. 1.

FIG. 5 is an overhead view of a fryer lifting lid with arched monorail support, as shown in FIG. 1.

FIG. 6 is a perspective view thereof in a raised position;

FIG. 7 is a bottom view thereof, without the lid base for ease of illustration; and,

FIG. 8 is a rear view thereof, without the lid base or arched monorail support for ease of illustration.

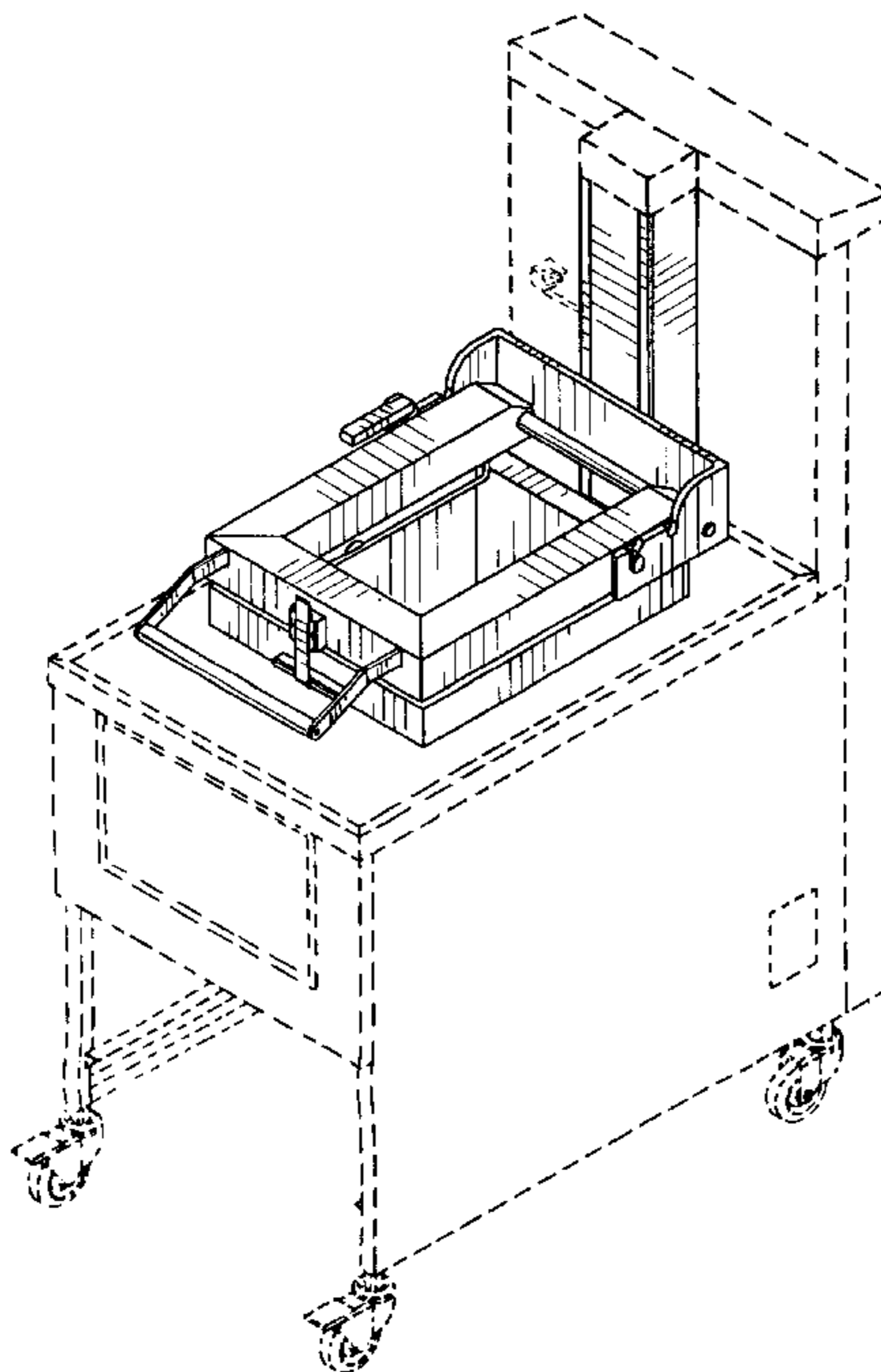
The broken line showings in FIG. 1 and 6 are for illustrative purposes only and form no part of the claimed design.

References Cited

U.S. PATENT DOCUMENTS

D. 262,430	12/1981	Thelander	D7/357
D. 336,007	6/1993	King et al.	D7/347
1,506,113	8/1924	Dearing .	
1,551,869	10/1925	Dearing .	
2,875,682	3/1959	Smoot et al. .	
3,187,664	6/1965	Jennings .	
3,242,849	3/1966	Wells .	
3,273,488	9/1966	Anetsberger .	
3,501,316	3/1970	Guthrie, Sr. .	
3,563,158	2/1971	Omer .	
3,608,473	9/1971	Kearn et al. .	
3,690,246	9/1972	Guthrie, Sr. .	
3,701,313	10/1972	Boggs .	
3,821,925	7/1974	Moore .	
3,958,503	5/1976	Moore .	
4,150,609	4/1979	McClean	99/372
4,165,682	8/1979	Weiss	99/331
4,287,818	9/1981	Moore	99/355
4,325,491	4/1982	Barnhill .	

1 Claim, 3 Drawing Sheets



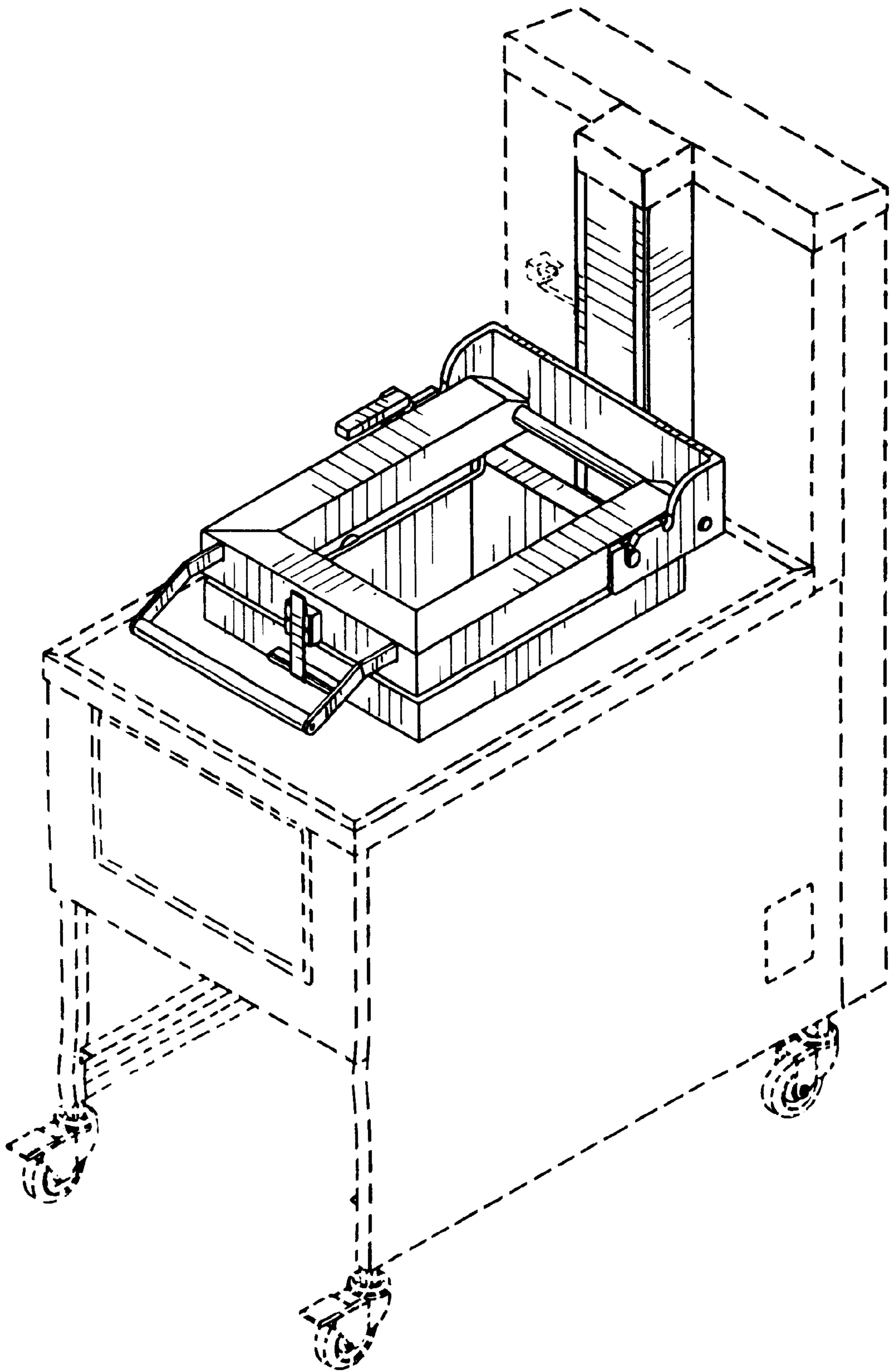


FIG. 1

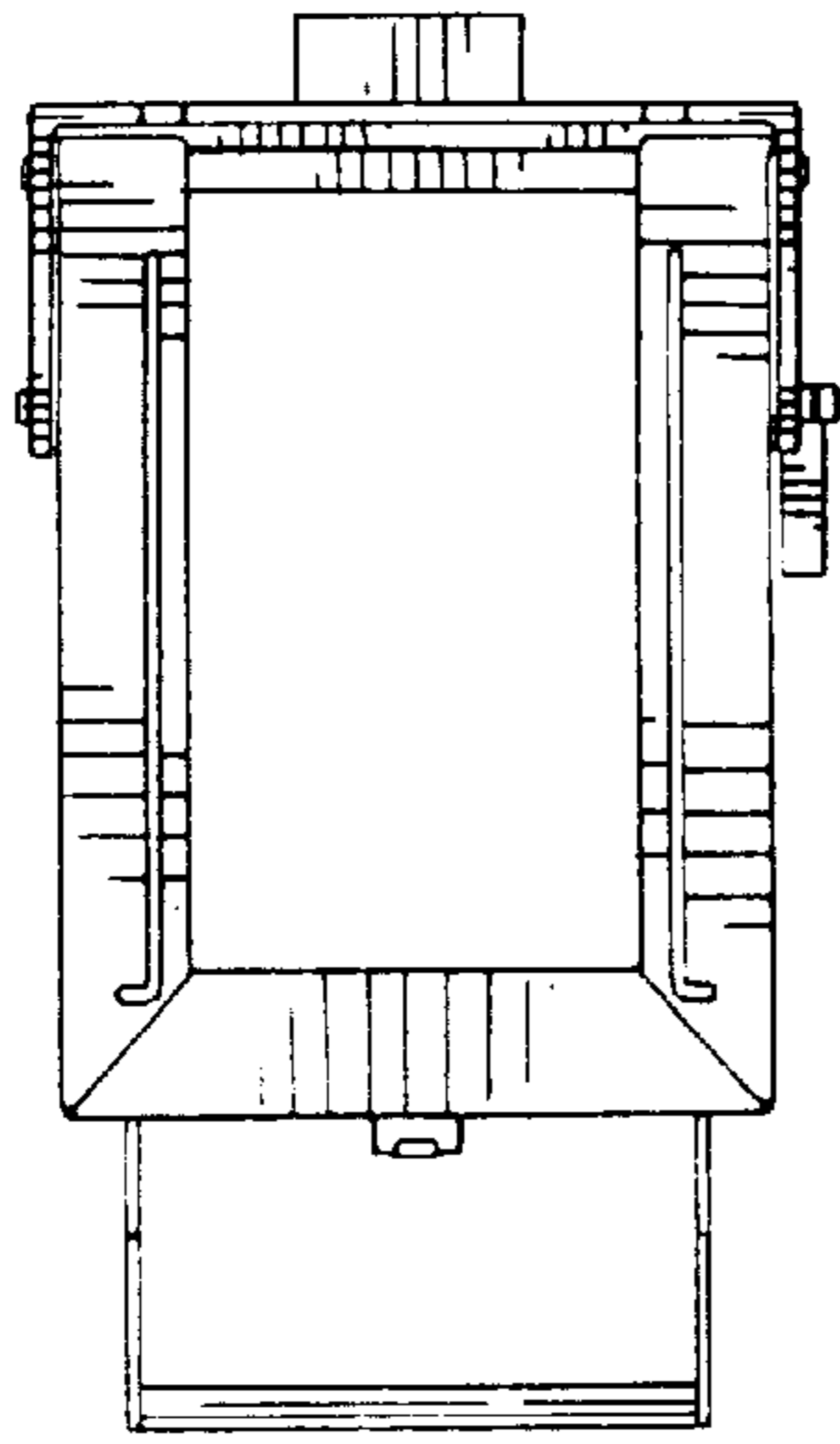


FIG. 7

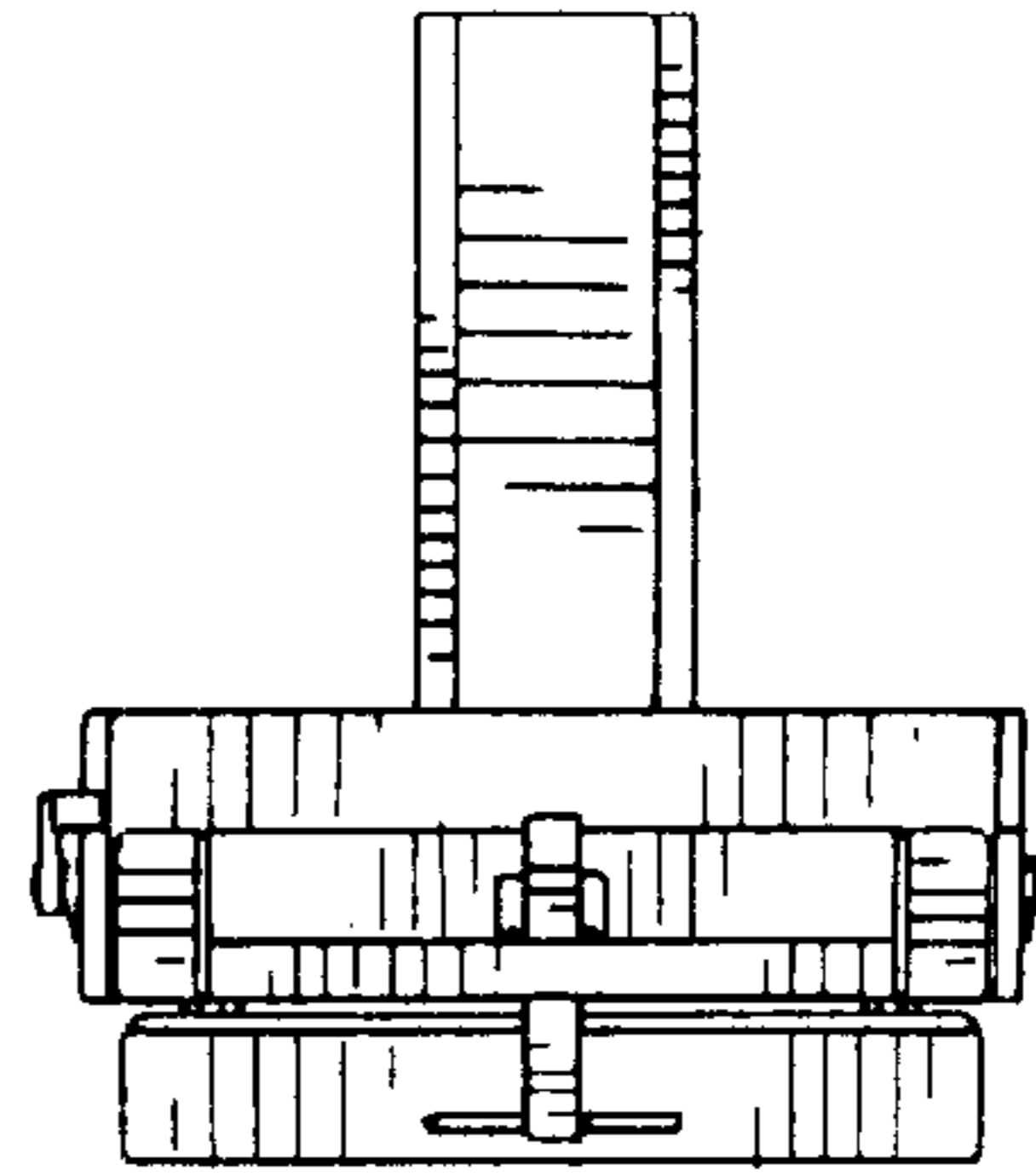


FIG. 4

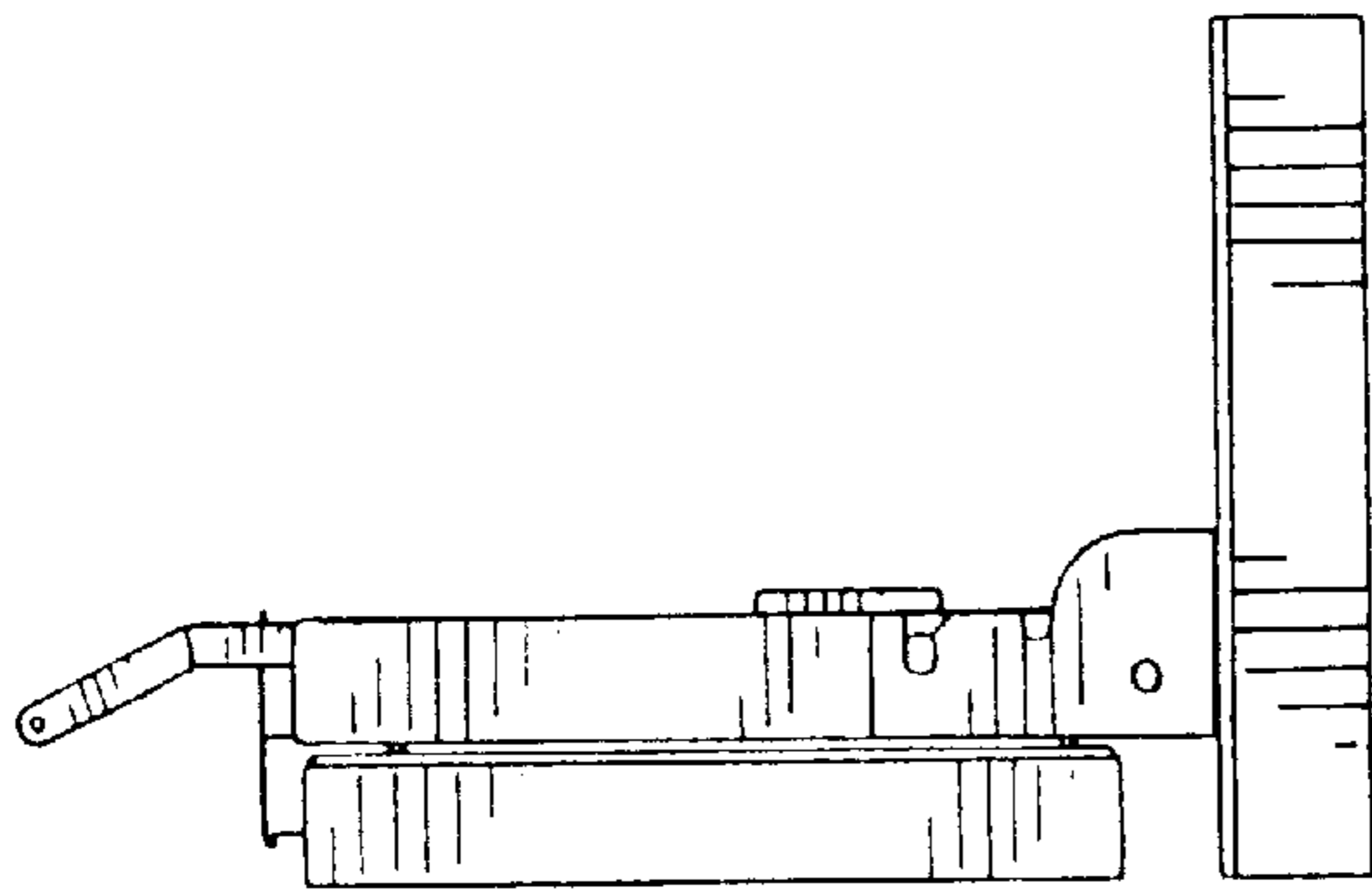


FIG. 2

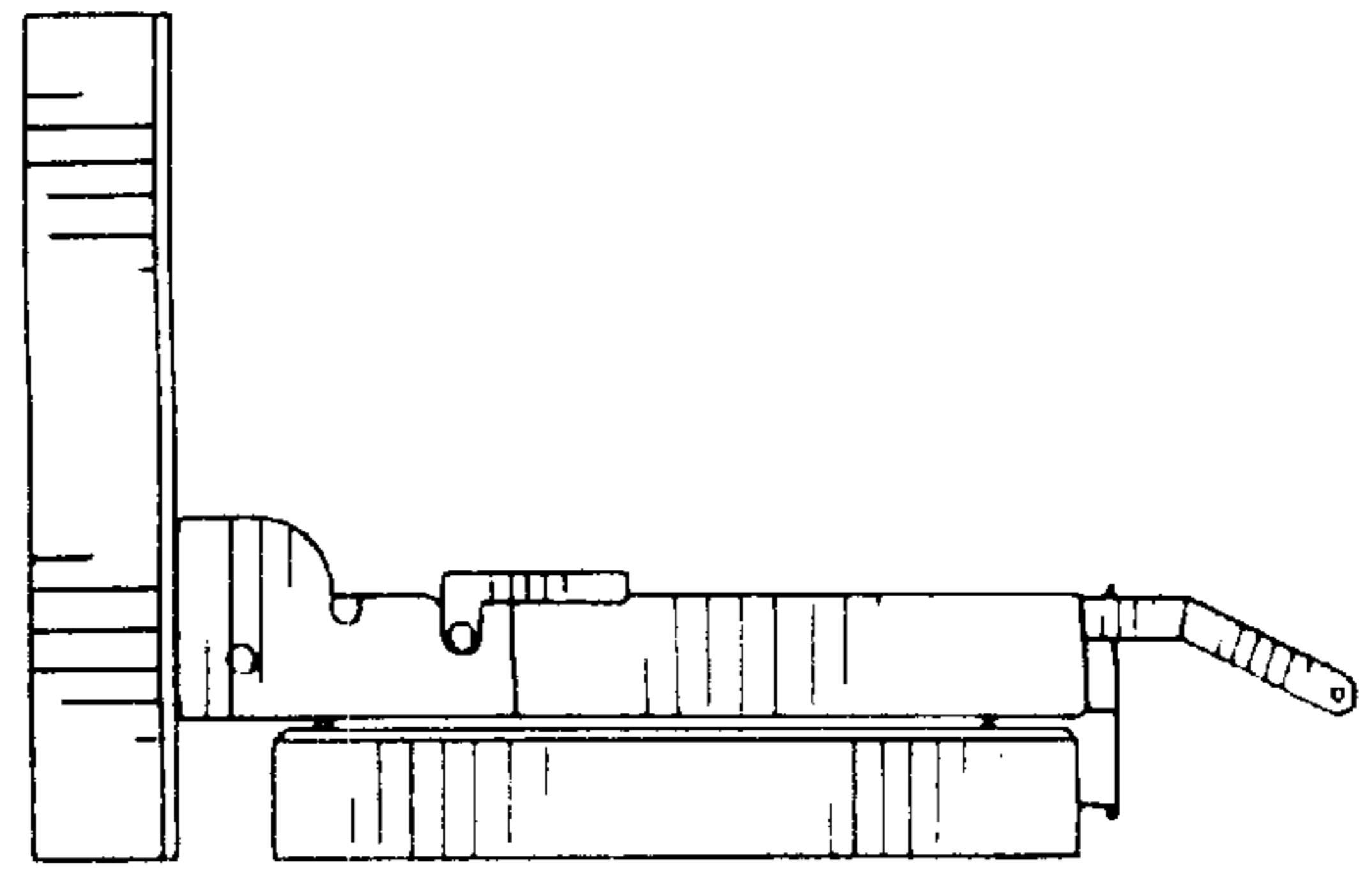


FIG. 3

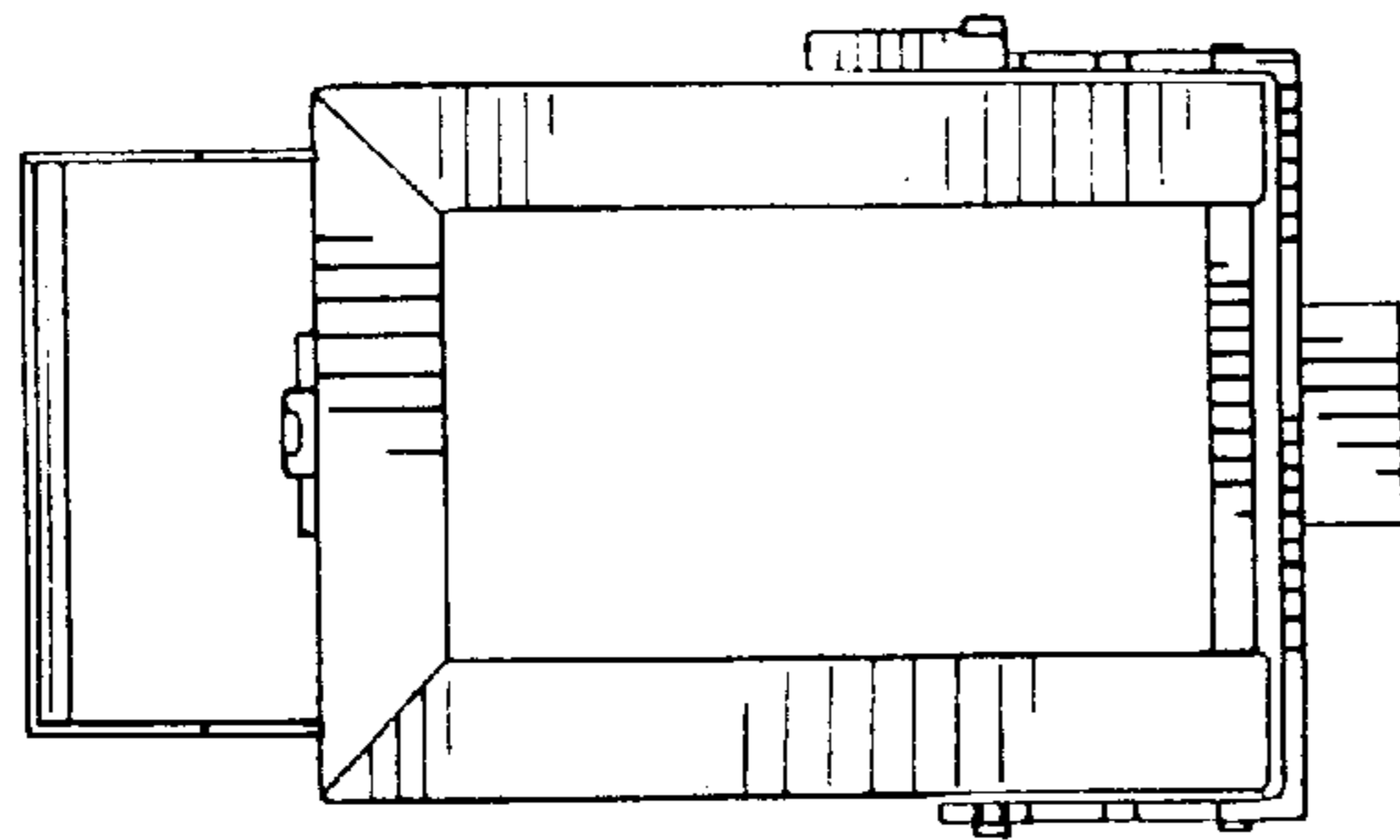


FIG. 5

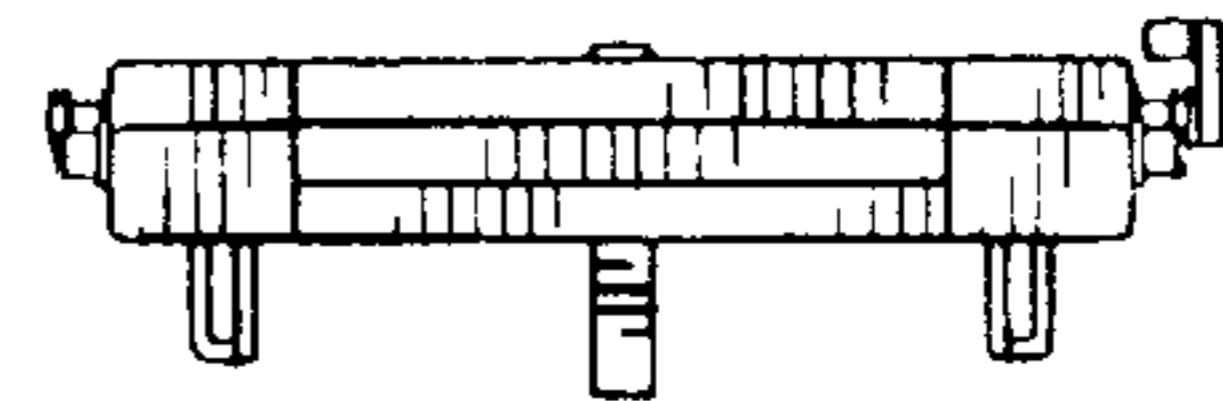


FIG. 8

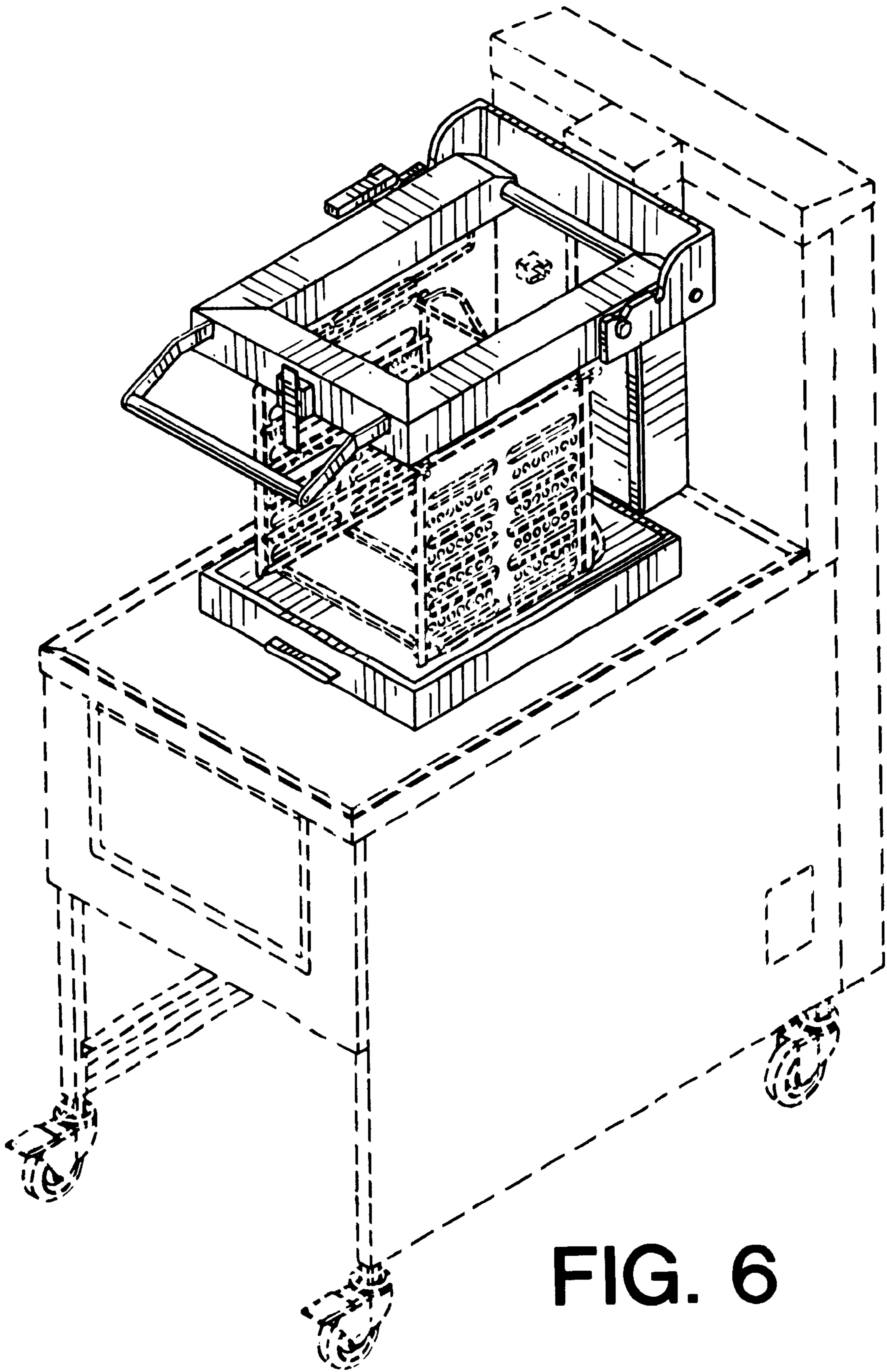


FIG. 6