



US00D413224S

# United States Patent [19] Cruz et al.

[11] Patent Number: Des. 413,224

[45] Date of Patent: \*\* Aug. 31, 1999

[54] TOASTER

[75] Inventors: **Anthony V. Cruz; James R. Gaynor**,  
both of Richmond, Va.

[73] Assignee: **Hamilton Beach, Proctor-Silex, Inc.**,  
Glen Allen, Va.

[\*\*] Term: **14 Years**

[21] Appl. No.: **29/077,587**

[22] Filed: **Oct. 6, 1997**

[51] LOC (6) Cl. .... **07-02**

[52] U.S. Cl. .... **D7/330**

[58] Field of Search ..... D7/323, 328-330,  
D7/390; 99/372, 385, 389

[56] **References Cited**

**U.S. PATENT DOCUMENTS**

D. 177,503	1/1956	Hunt	.....	D7/330
D. 338,368	8/1993	Naft et al.	.....	D7/330
D. 345,074	3/1994	Myers et al.	.....	D7/330
D. 359,876	7/1995	Osit	.....	D7/330
D. 386,935	12/1997	Angarita	.....	D7/330
D. 388,276	12/1997	Cruz	.....	D7/330
D. 394,983	6/1998	Garrett et al.	.....	D7/330
2,309,640	2/1943	Gough	.	
2,567,075	9/1951	Lindberg	.	
2,611,849	9/1952	Gough	.	

**OTHER PUBLICATIONS**

Commonly owned design application S. N. 29/073,692 filed Jul. 16, 1997.

Copies of photographs prepared for this Information Disclosure Statement (Admiral Toaster) Date Unknown.

Front and rear cover and p. 8 of "1994 Hamilton Beach/Proctor-Silex New Products" catalog published by Hamilton Beach/Proctor-Silex, Inc. 1994.

Front and rear cover and pp. 248 and 249 of the 1996/1997 Service Merchandise catalog.

*Primary Examiner*—Caron D. Veynar  
*Attorney, Agent, or Firm*—Roger S. Dybvig

[57] **CLAIM**

The ornamental design for a toaster, as shown and described.

**DESCRIPTION**

FIG. 1 is a perspective view as seen from the top, front and left side of a toaster showing our new design;

FIG. 2 is an elevational view of the front end thereof;

FIG. 3 is an elevational view of the rear end thereof;

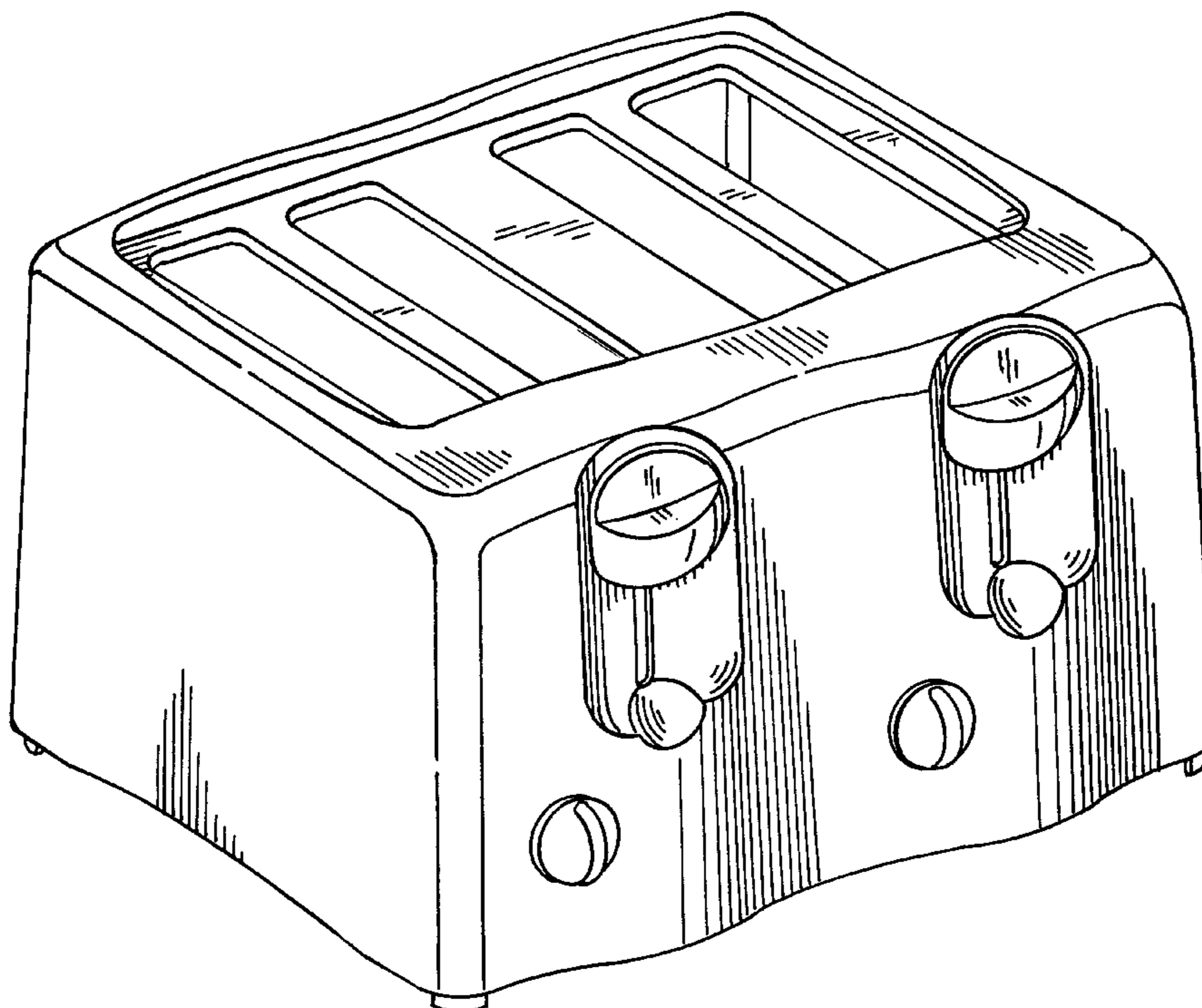
FIG. 4 is a top plan view thereof;

FIG. 5 is a bottom plan view thereof; and,

FIG. 6 is a left side elevational view thereof, the right side elevational view being substantially similar to the left side elevational view except that the right toaster control knob is partially hidden by one of the convex portions of the front housing panel.

The broken lines in FIG. 5 showing underbody parts including a crumb tray are used for illustrative purposes only and form no part of the claimed design.

**1 Claim, 5 Drawing Sheets**



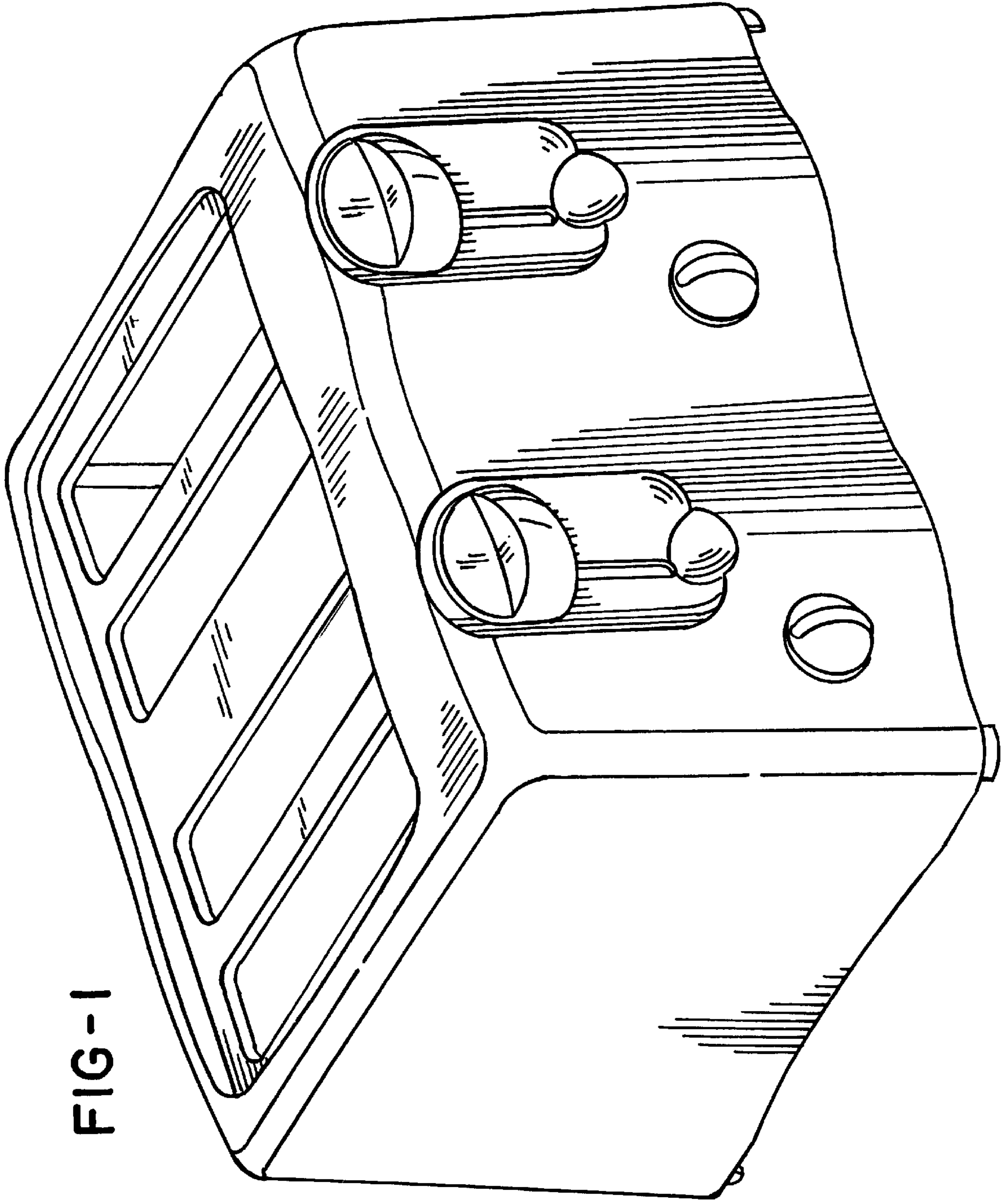


FIG-1

FIG-2

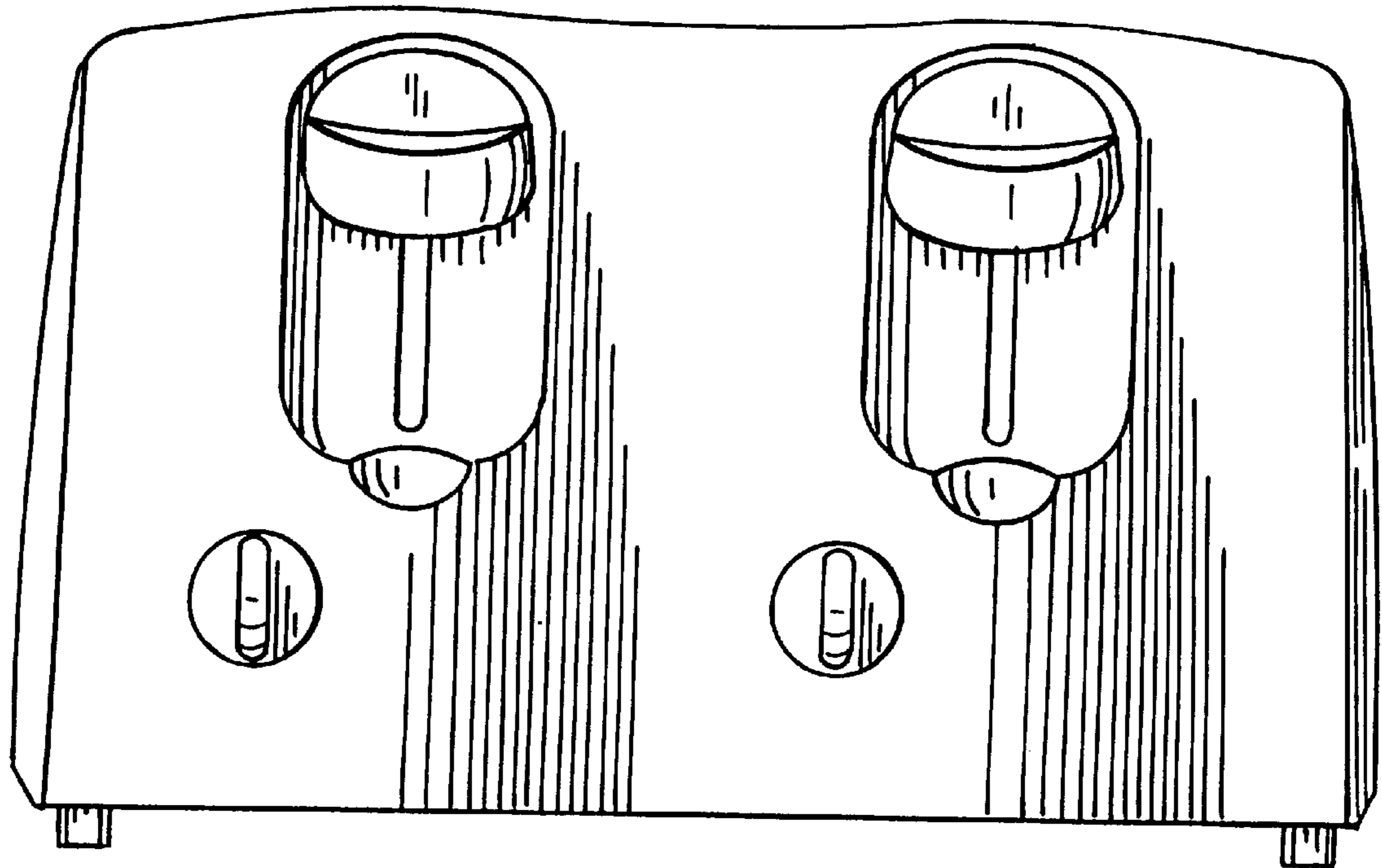


FIG-3

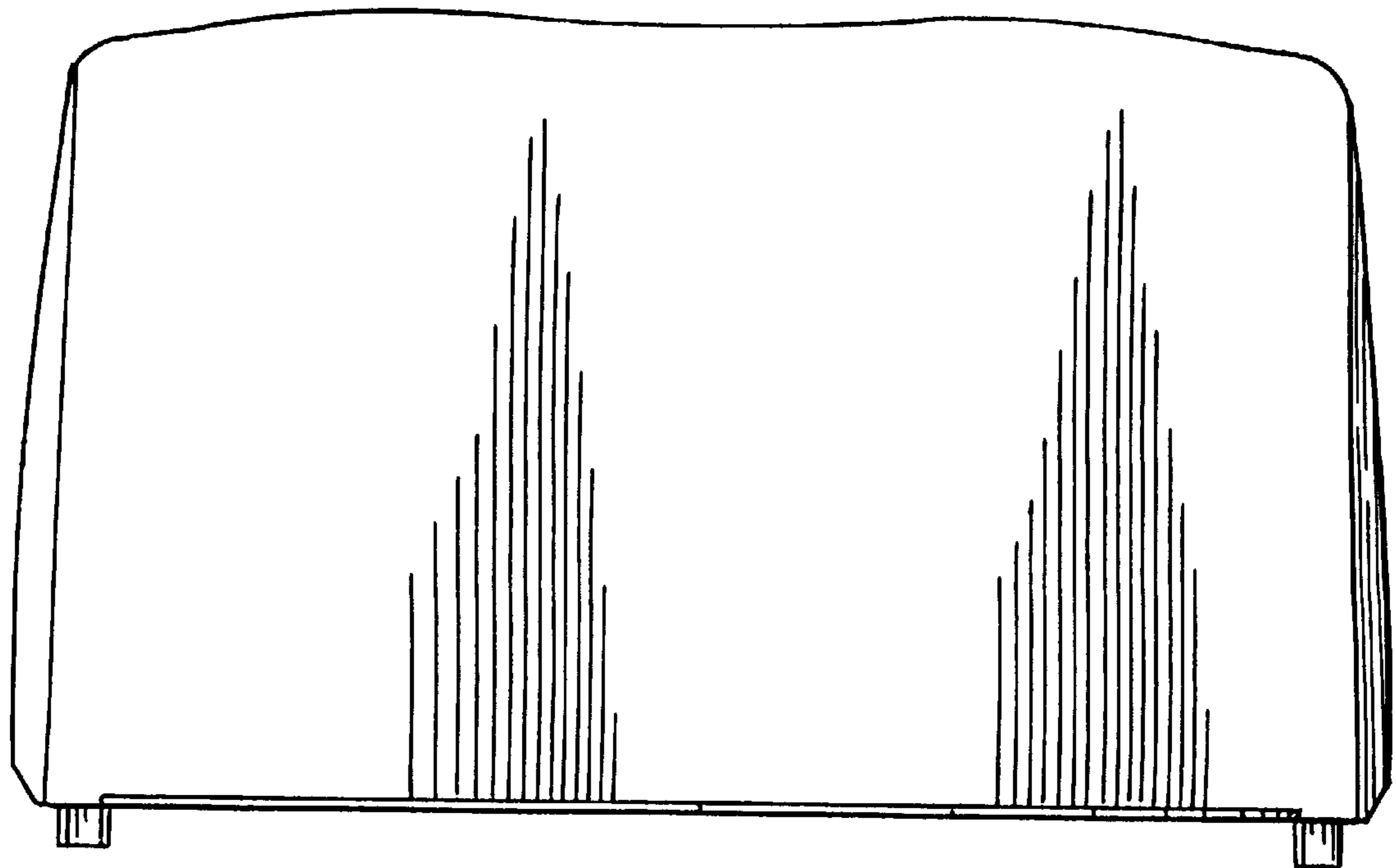


FIG-4

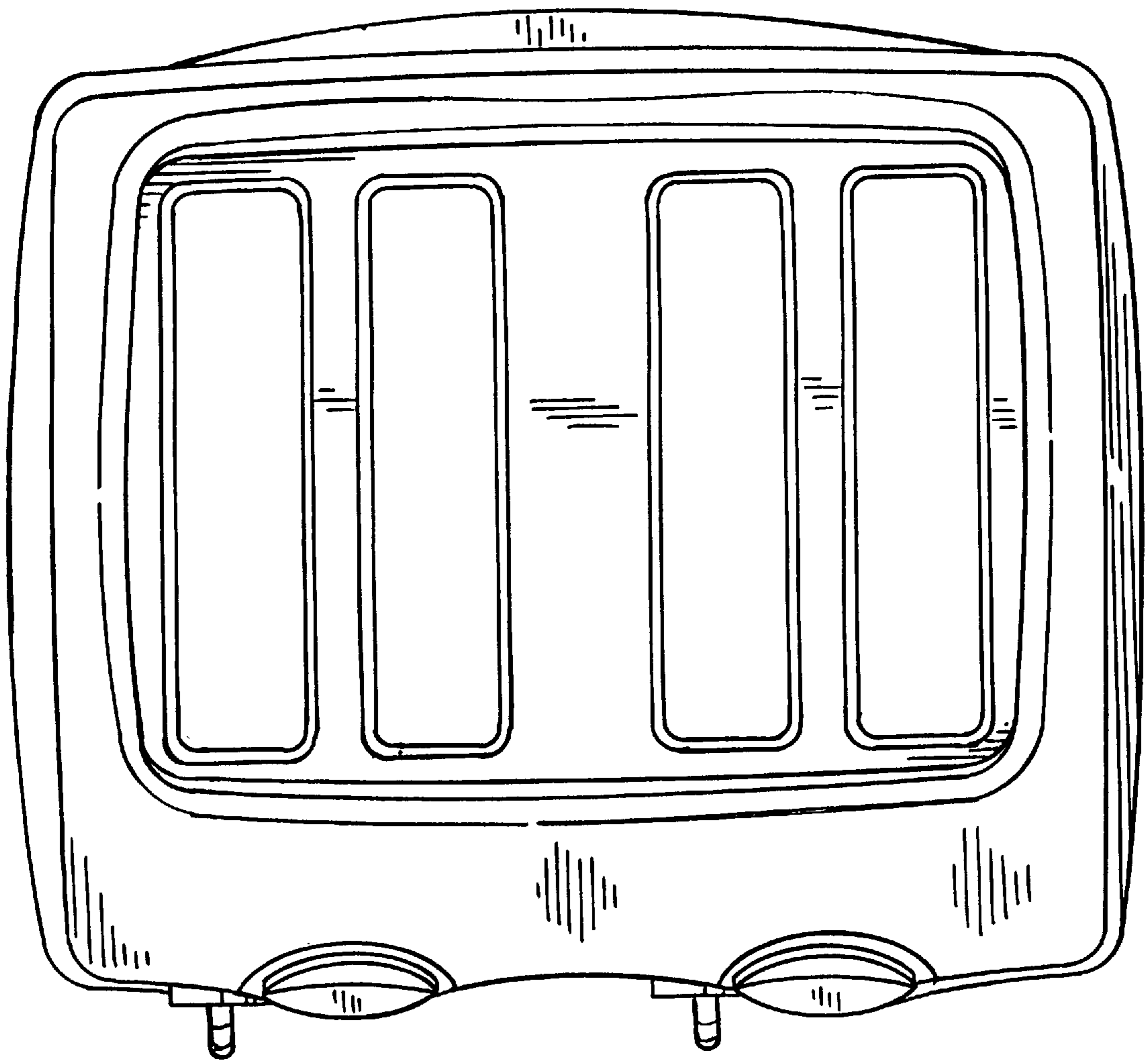


FIG-5

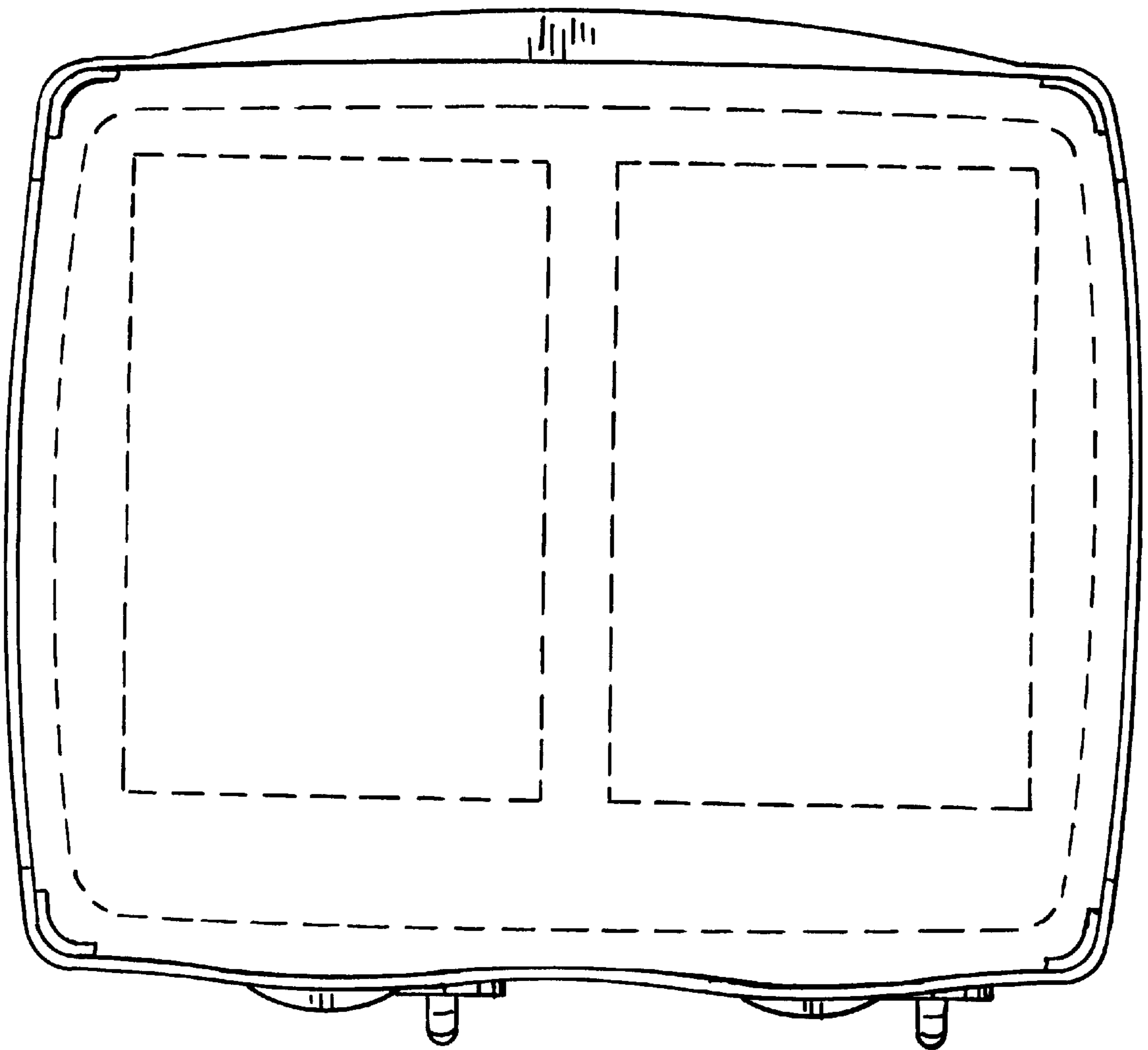


FIG-6

