



US00D413223S

United States Patent [19] Choi

[11] **Patent Number: Des. 413,223**

[45] **Date of Patent: ** Aug. 31, 1999**

[54] **ELECTRIC KETTLE**

[75] Inventor: **Lung Wai Choi**, Kowloon, The Hong Kong Special Administrative Region of the People's Republic of China

[73] Assignee: **Goodway Electrical Company Limited**, The Hong Kong Special Administrative Region of the People's Republic of China

[**] Term: **14 Years**

[21] Appl. No.: **29/094,290**

[22] Filed: **Sep. 29, 1998**

[51] **LOC (6) Cl.** **07-01**

[52] **U.S. Cl.** **D7/319; D7/305; D7/317**

[58] **Field of Search** **D7/316, 317, 318, D7/319, 312, 305, 321, 322, 300; 222/495.1, 475.1, 472**

[56] **References Cited**

U.S. PATENT DOCUMENTS

D. 335,238	5/1993	Correa et al.	D7/317
D. 335,239	5/1993	Crunden et al.	D7/317
D. 345,669	4/1994	Piret	D7/319
D. 345,670	4/1994	Piret	D7/319
D. 362,151	9/1995	Wilson et al.	D7/319
D. 362,582	9/1995	Wilson et al.	D7/319
D. 367,201	2/1996	Joergenson	D7/305
D. 367,394	2/1996	Wai	D7/305
D. 375,866	11/1996	Wai	D7/319
D. 381,858	8/1997	Richaud	D7/319

D. 388,654	1/1998	Bouhuys	D7/319
D. 389,007	1/1998	Bouhuys	D7/319
D. 396,378	7/1998	Hensel	D7/319

Primary Examiner—M. N. Pandozzi
Attorney, Agent, or Firm—Birch, Stewart, Kolasch & Birch, LLP

[57] **CLAIM**

I claim the ornamental design for an electric kettle, as shown and described.

DESCRIPTION

FIG. 1 is a right side view of the electric kettle showing my new design;

FIG. 2 is a front elevational view of the electric kettle of FIG. 1;

FIG. 3 is a top plan view of the electric kettle of FIG. 1; FIG. 4 is a rear elevational view of the electric kettle of FIG. 1;

FIG. 5 is a left, side elevational view of the electric kettle with the kettle separated from the base;

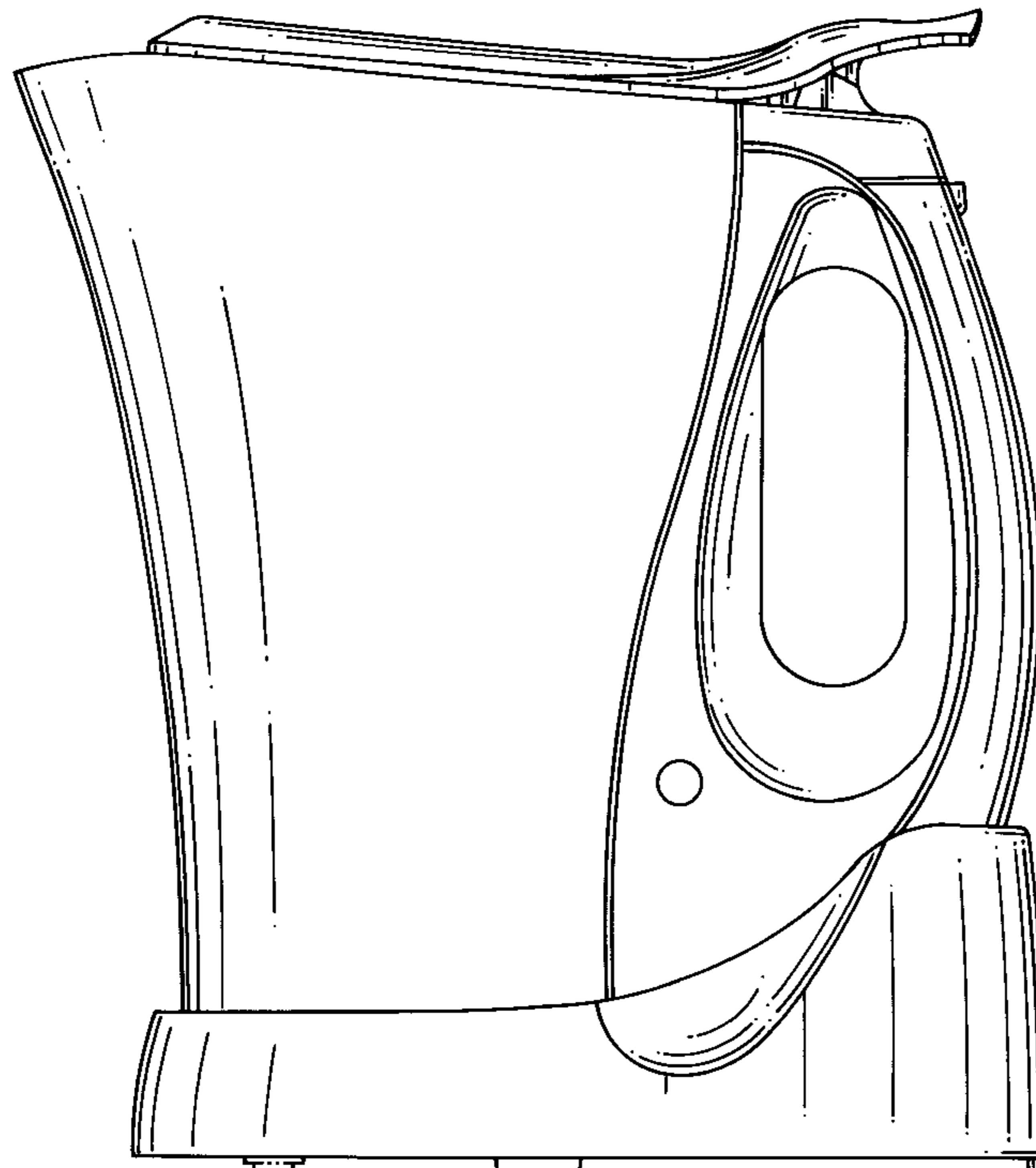
FIG. 6 is a bottom plan view of the electric kettle with the base removed for ease of illustration; and,

FIG. 7 is a top plan view of the base of the electric kettle with the kettle portion removed for ease of illustration.

The bottom plan view of the base is plain and unornamented. The broken line showing of protrusions on the base in FIGS. 1, 2, 4, and 5 are for illustrative purposes only and forms no part of the claimed design.

I claim the ornamental design for an electric kettle, as shown and described.

1 Claim, 5 Drawing Sheets



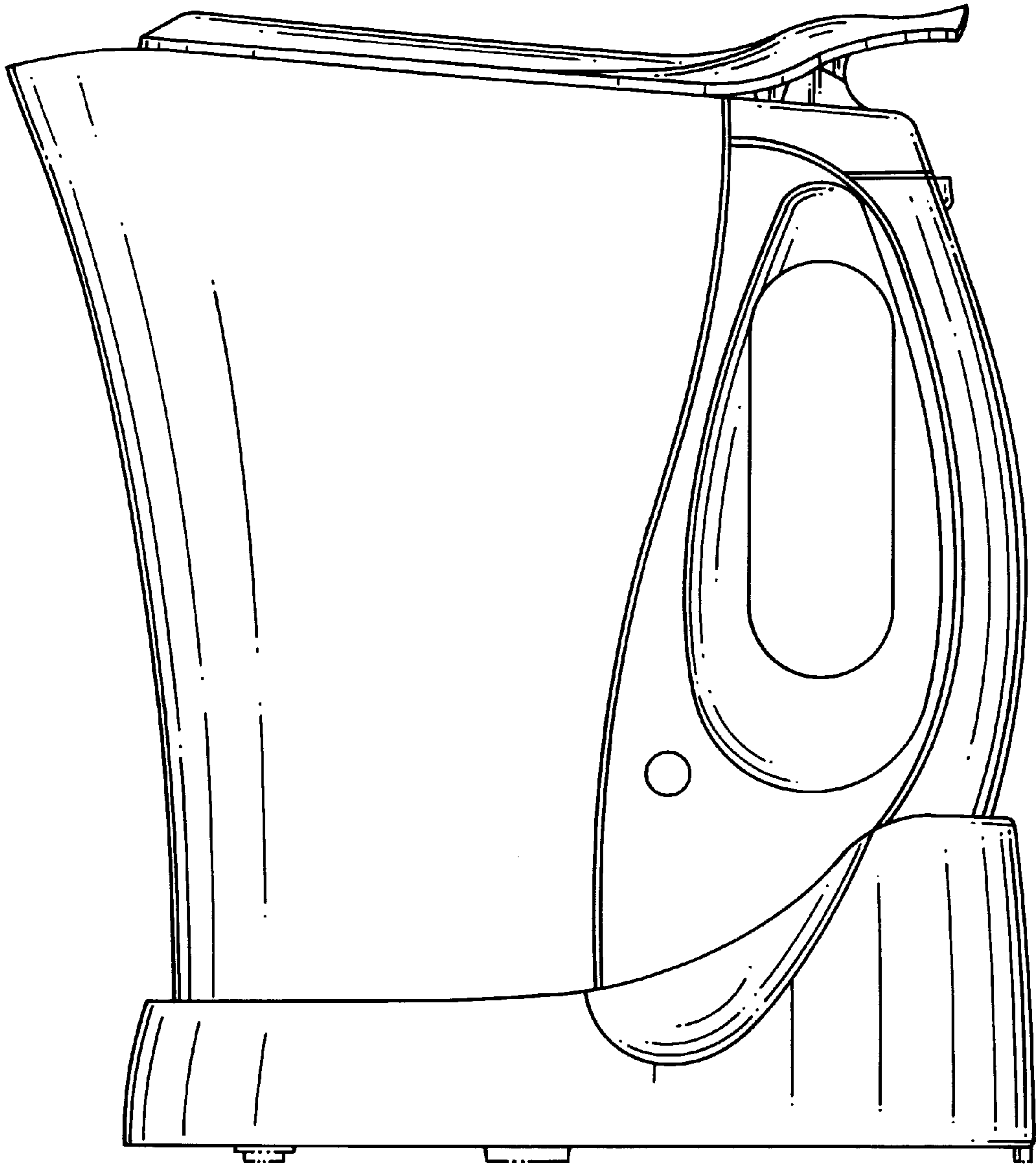


FIG. 1

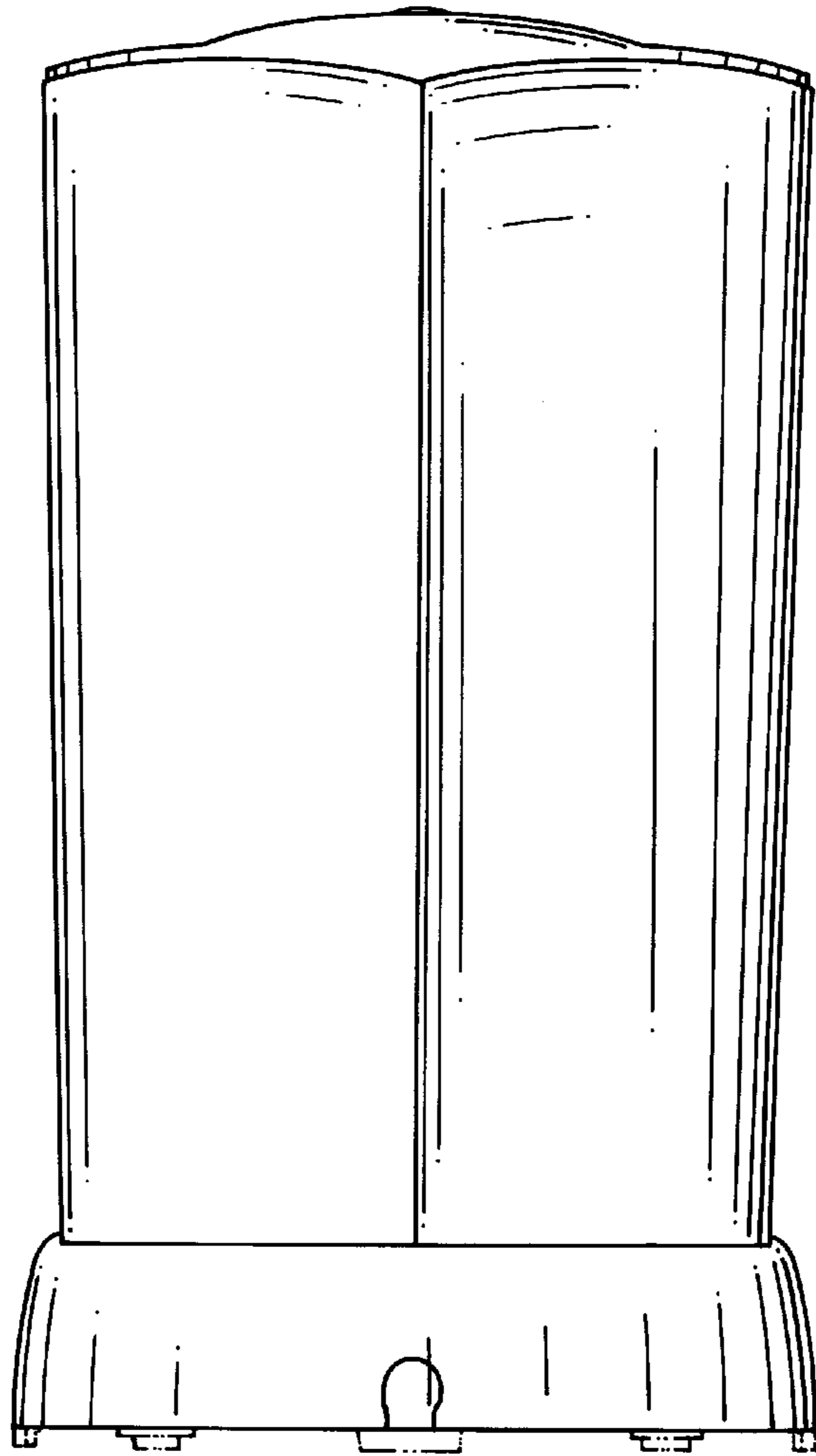


FIG. 2

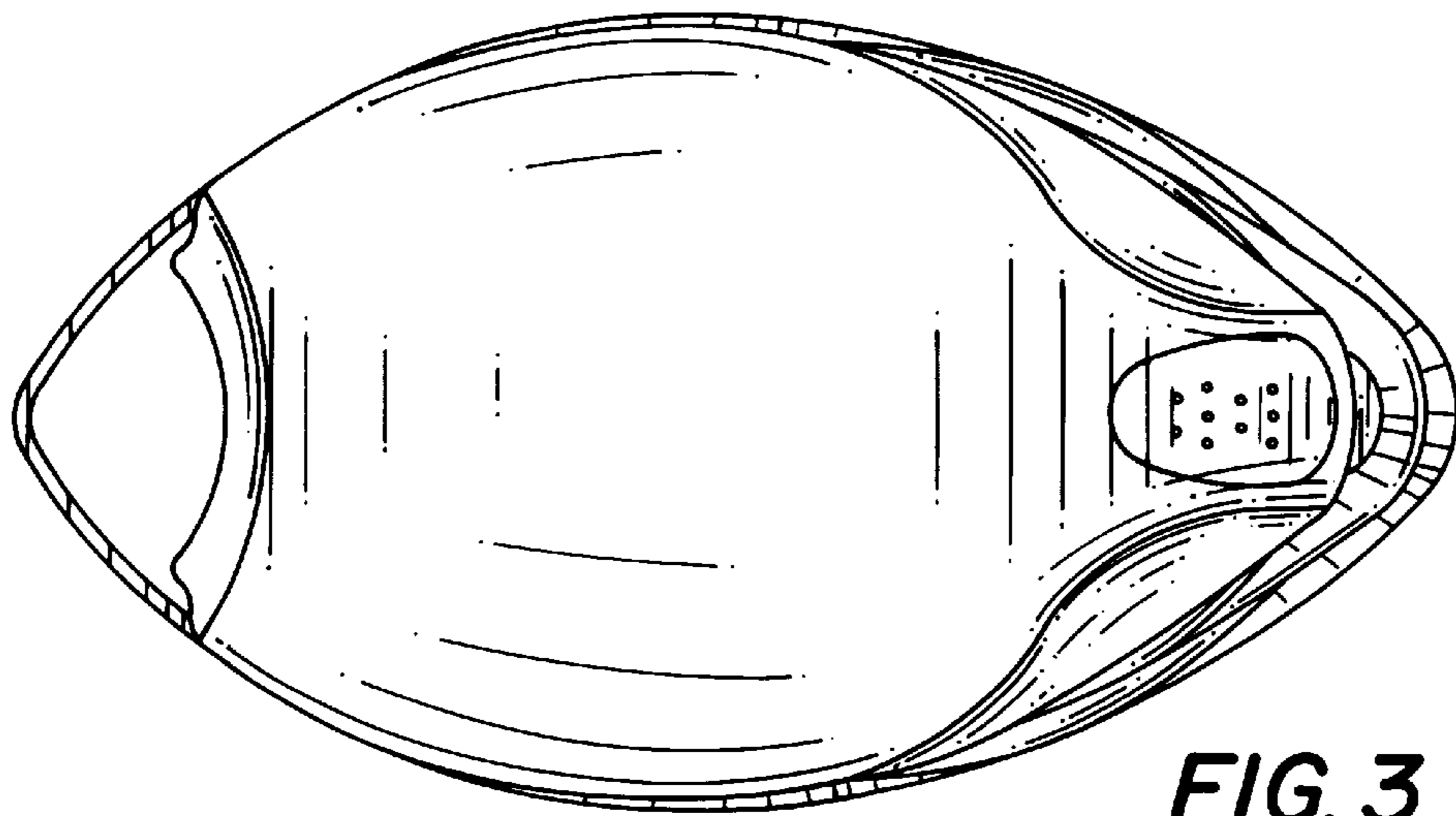


FIG. 3

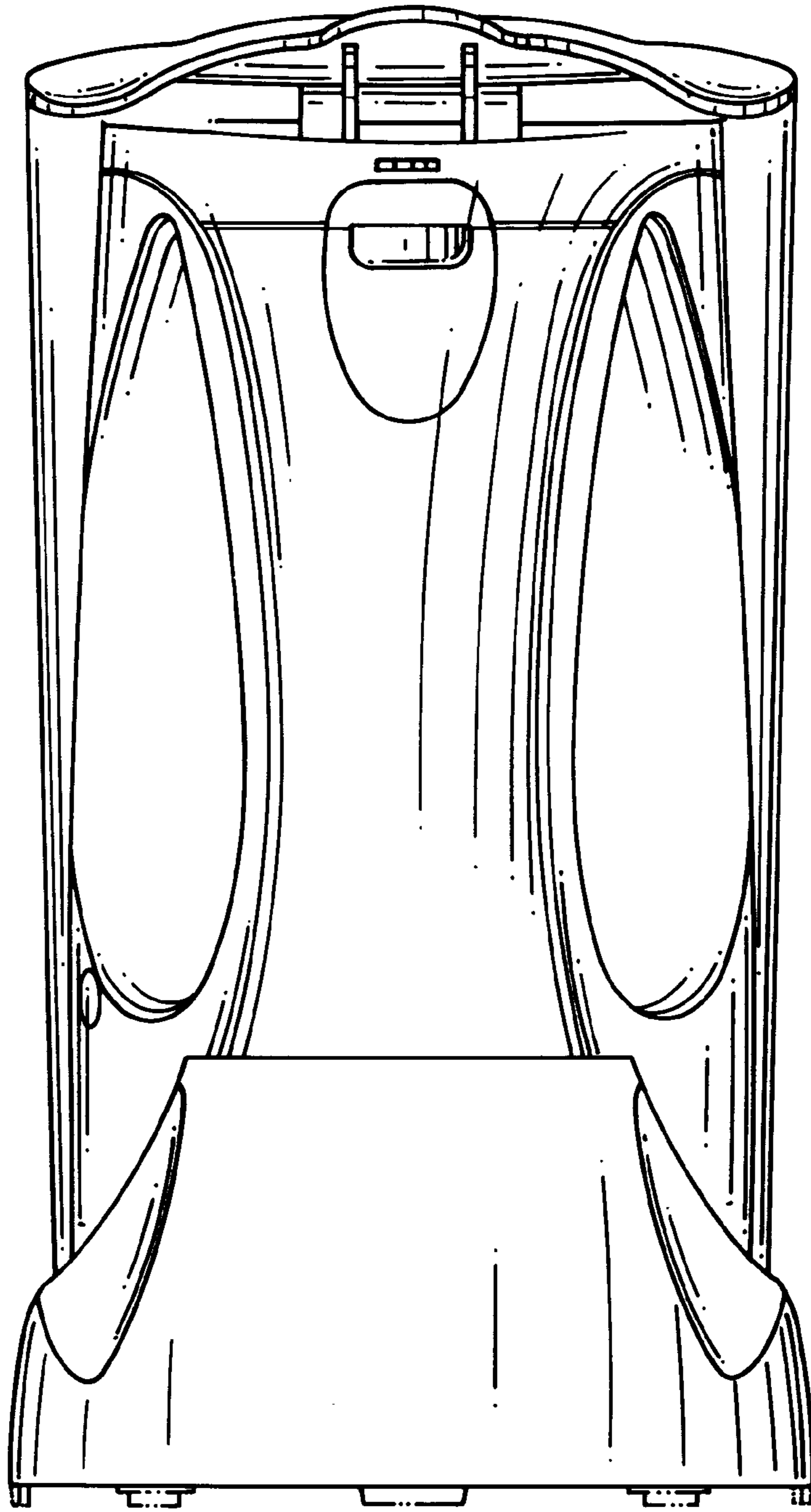


FIG. 4

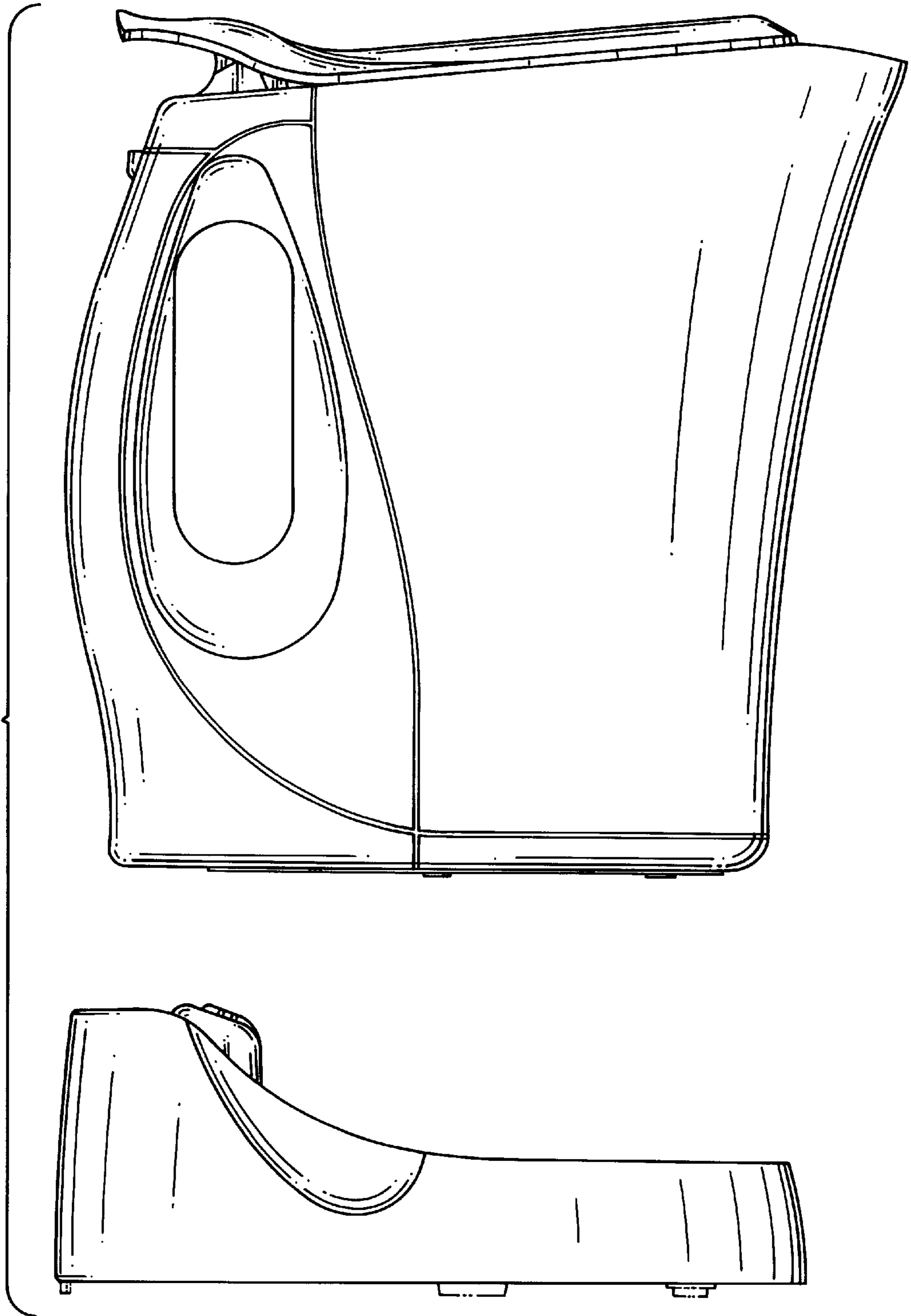


FIG. 5

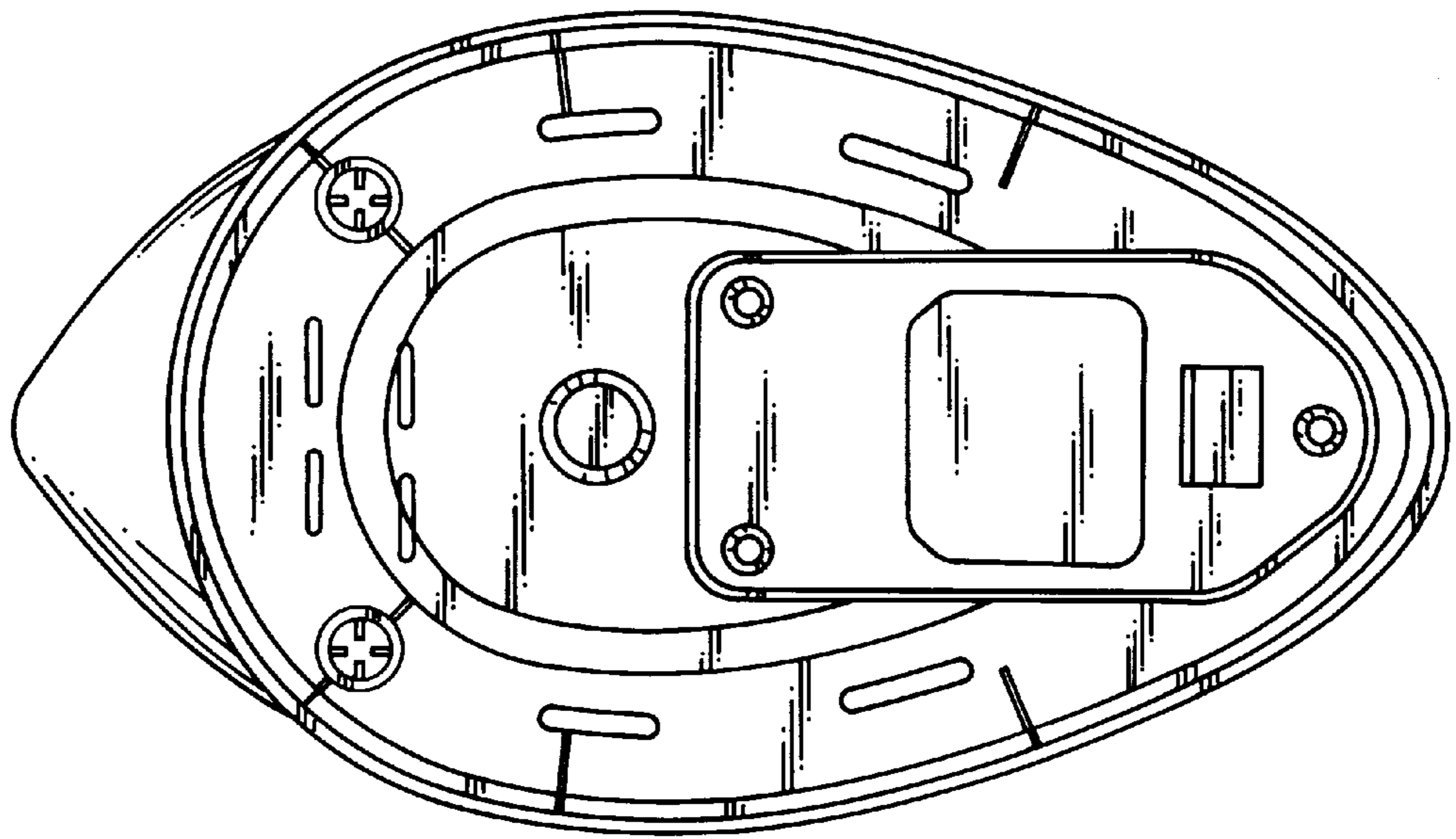


FIG. 6

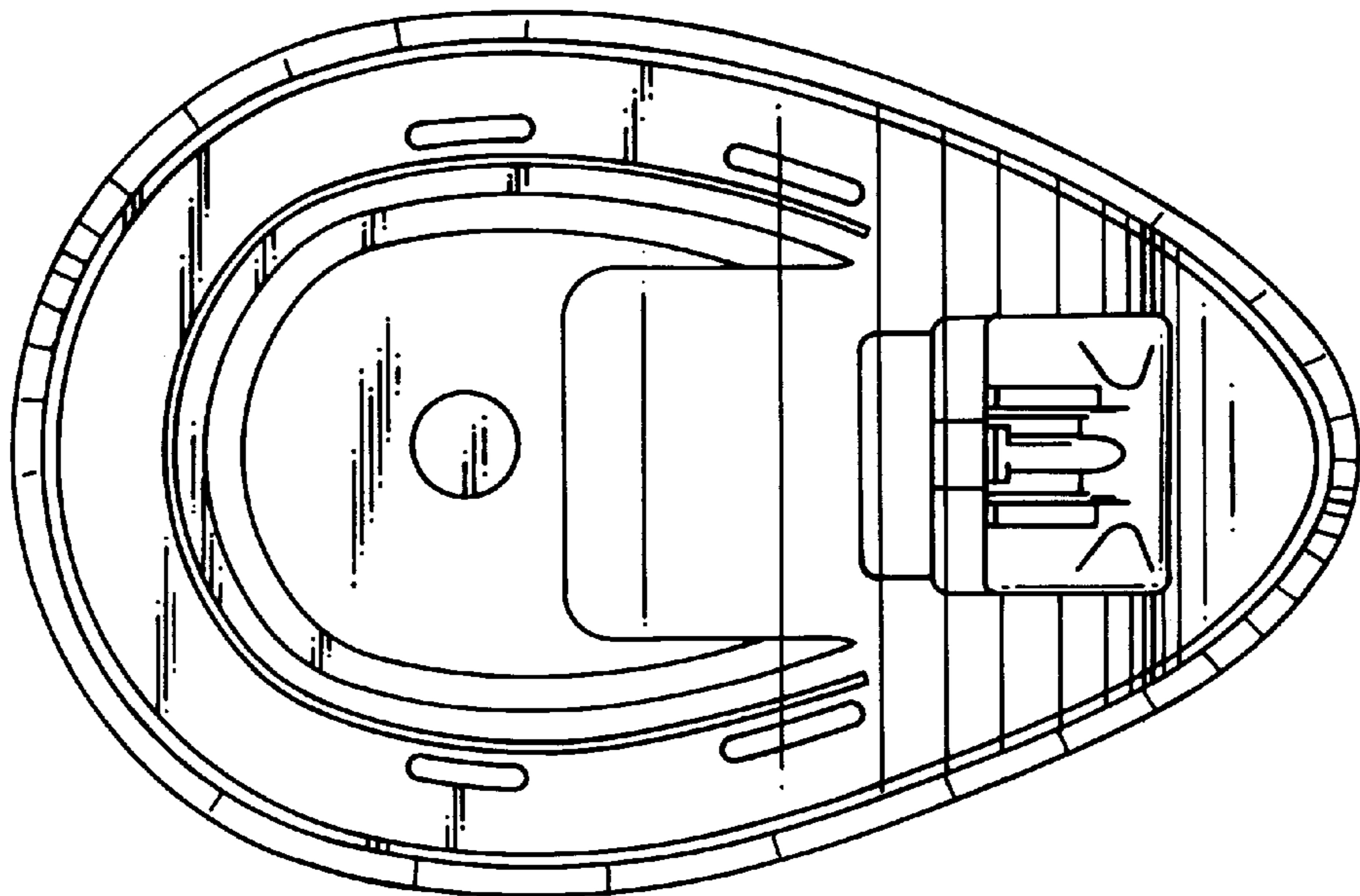


FIG. 7