



US00D413218S

# United States Patent [19] Doty

[11] Patent Number: **Des. 413,218**

[45] Date of Patent: **\*\* Aug. 31, 1999**

[54] **COLLAPSIBLE SHELF**

[75] Inventor: **Heath A. Doty**, St. Louis, Mo.

[73] Assignee: **Newell Operating Company**, Freeport, Ill.

[\*\*] Term: **14 Years**

[21] Appl. No.: **29/085,324**

[22] Filed: **Mar. 20, 1998**

[51] **LOC (6) Cl.** ..... **06-04**

[52] **U.S. Cl.** ..... **D6/511**

[58] **Field of Search** ..... D6/509-511, 513, D6/566, 574, 429; 211/134, 133.5, 149, 181.1, 153; D7/332, 337; 108/157, 13, 115, 180, 181, 193; 126/25 R; 99/449, 450; D32/58

[56] **References Cited**

**U.S. PATENT DOCUMENTS**

D. 321,804	11/1991	Wolff et al.	.....	D6/566
D. 349,000	7/1994	Rogers et al.	.....	D6/511
1,827,449	10/1931	Wood et al.	.....	211/153

2,631,579	3/1953	Metzger	.....	99/450 X
3,316,864	5/1967	Maslow	.....	108/157.13 X
3,905,286	9/1975	Le Grady	.....	126/25 R
5,035,335	7/1991	Massoudnia	.....	211/181.1 X
5,406,895	4/1995	Suess	.....	211/153 X
5,584,405	12/1996	Tunzi	.....	211/153

*Primary Examiner*—Doris V. Coles  
*Assistant Examiner*—Linda Brooks  
*Attorney, Agent, or Firm*—Foley & Lardner

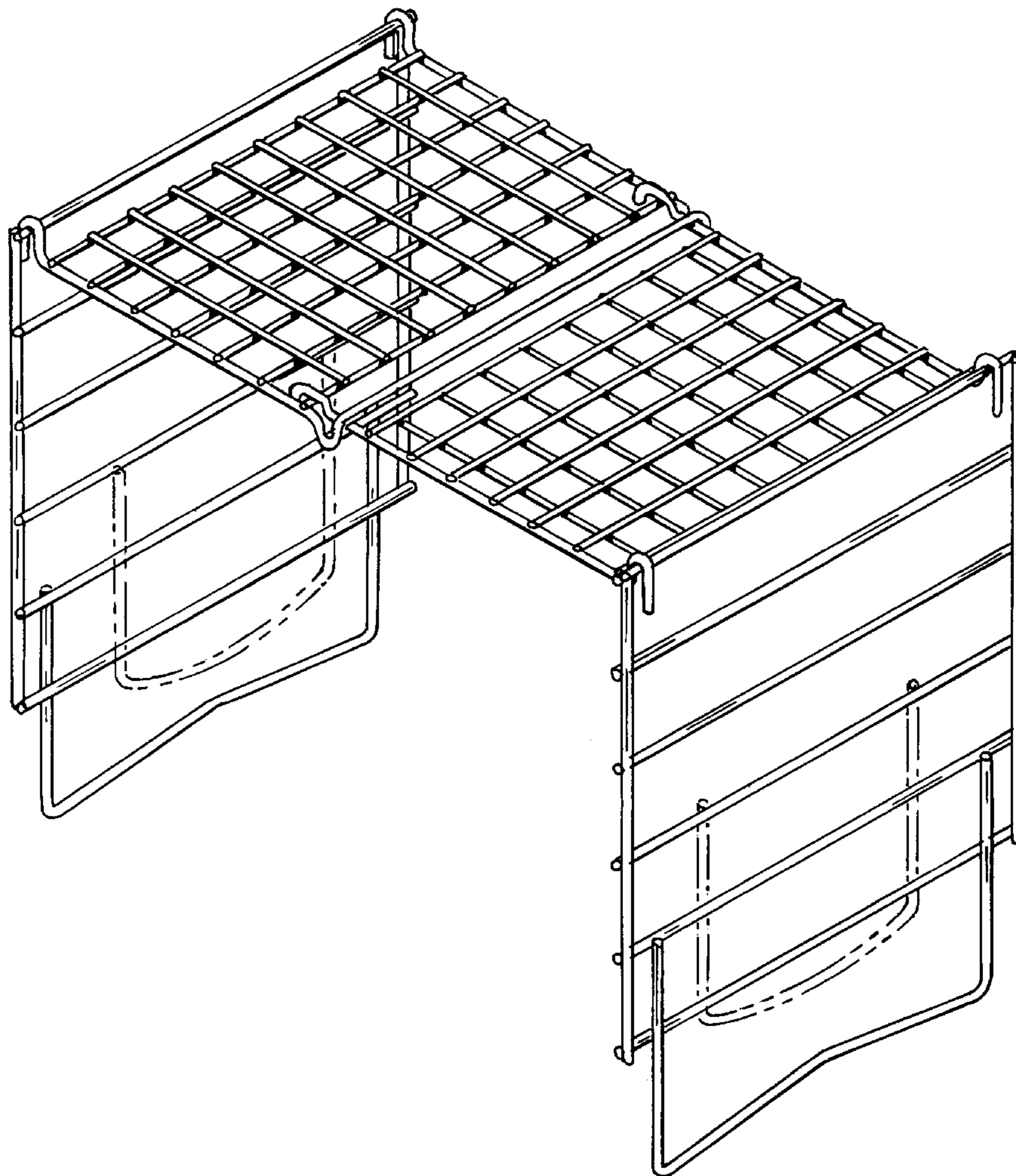
[57] **CLAIM**

The ornamental design for a collapsible shelf, as shown and described.

**DESCRIPTION**

FIG. 1 is a top perspective view of a collapsible shelf showing my new design, with the broken line showing of side supports for illustrative purposes only and forming no part of the claimed design; FIG. 2 is an enlarged front elevational view thereof; FIG. 3 is a right side elevational view of FIG. 2; FIG. 4 is a left side elevational view of FIG. 2; FIG. 5 is a top plan view of FIG. 2; and, FIG. 6 is a bottom plan view of FIG. 2.

**1 Claim, 10 Drawing Sheets**



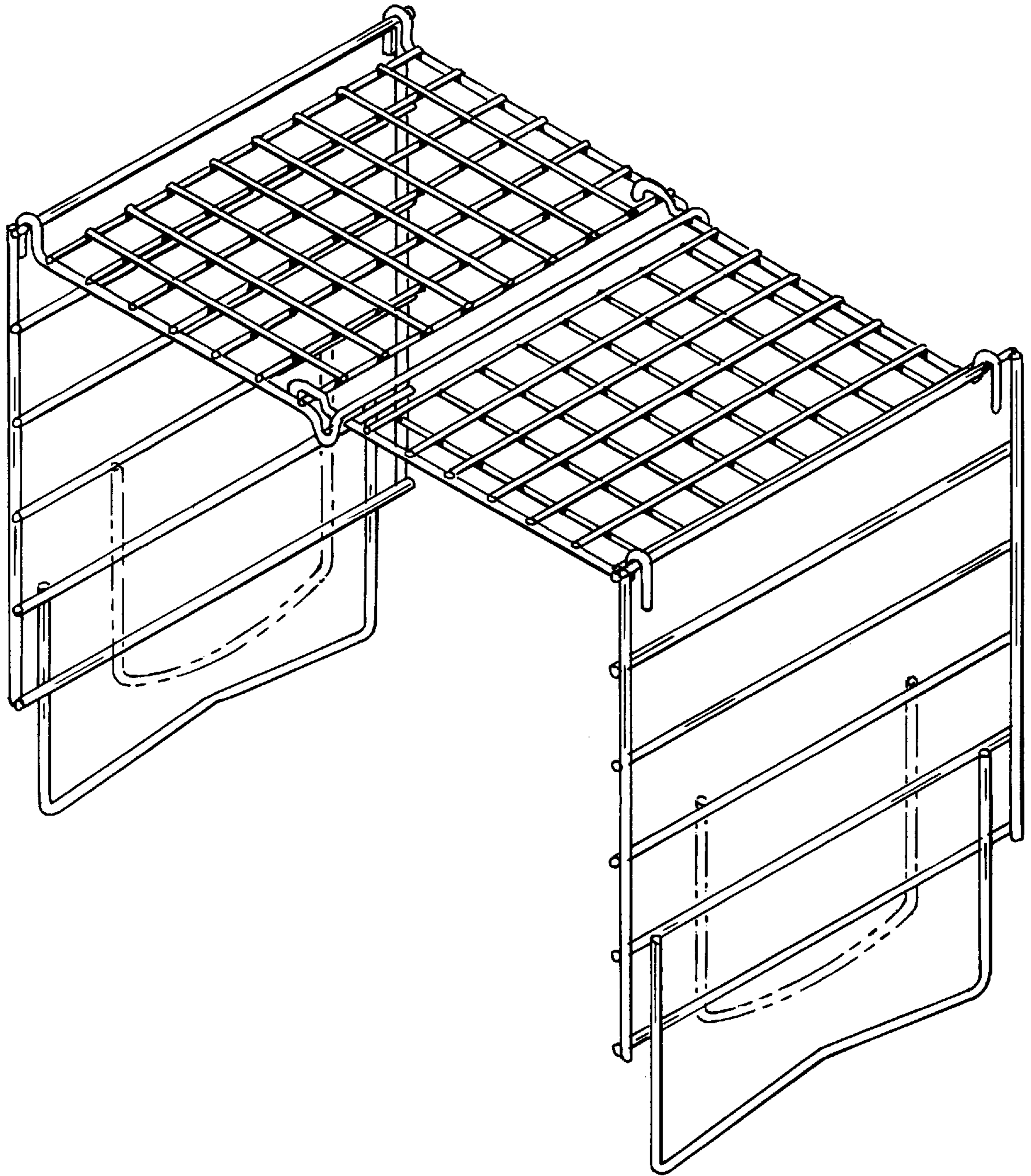


FIG. 1

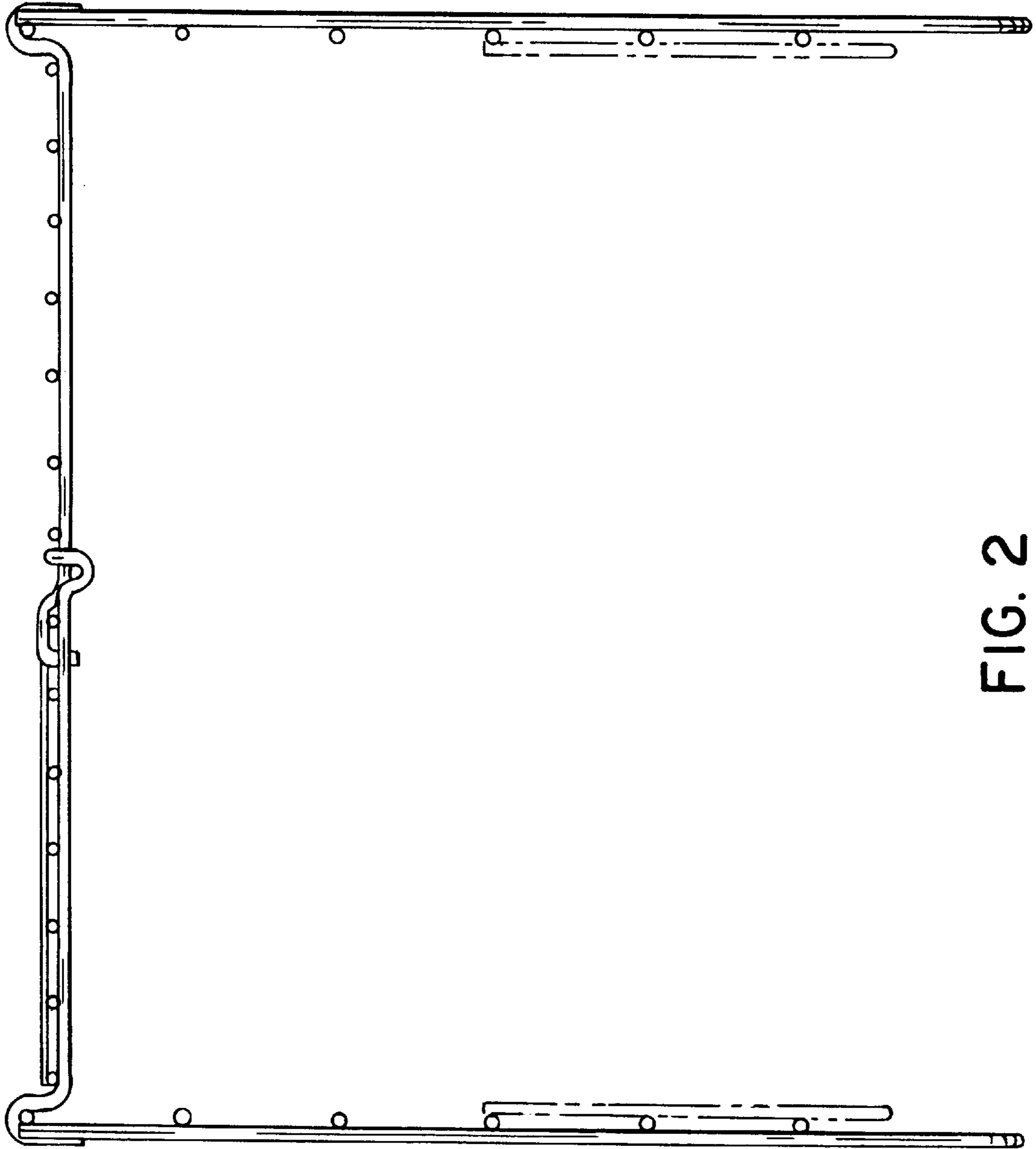


FIG. 2

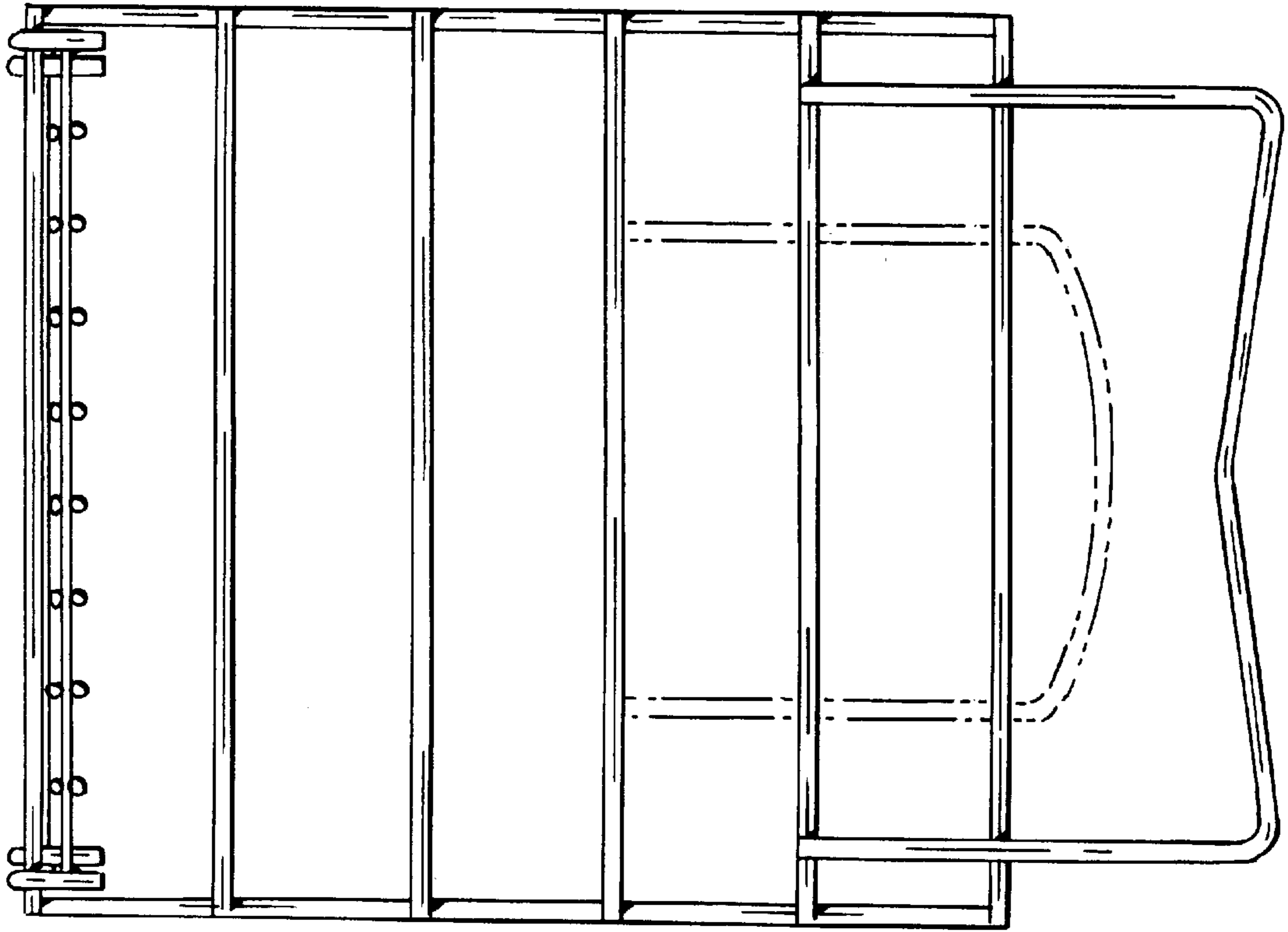


FIG. 4

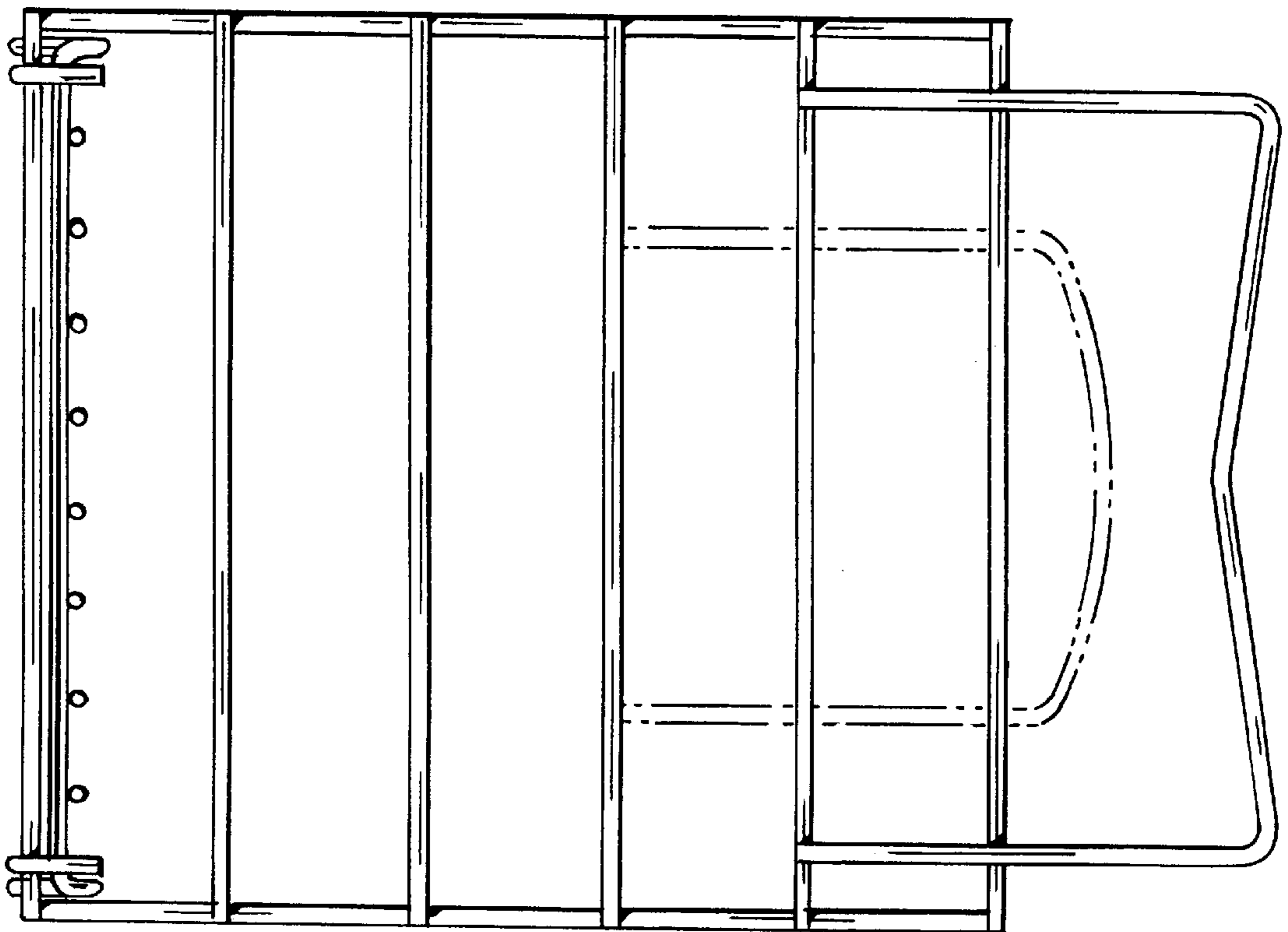


FIG. 3

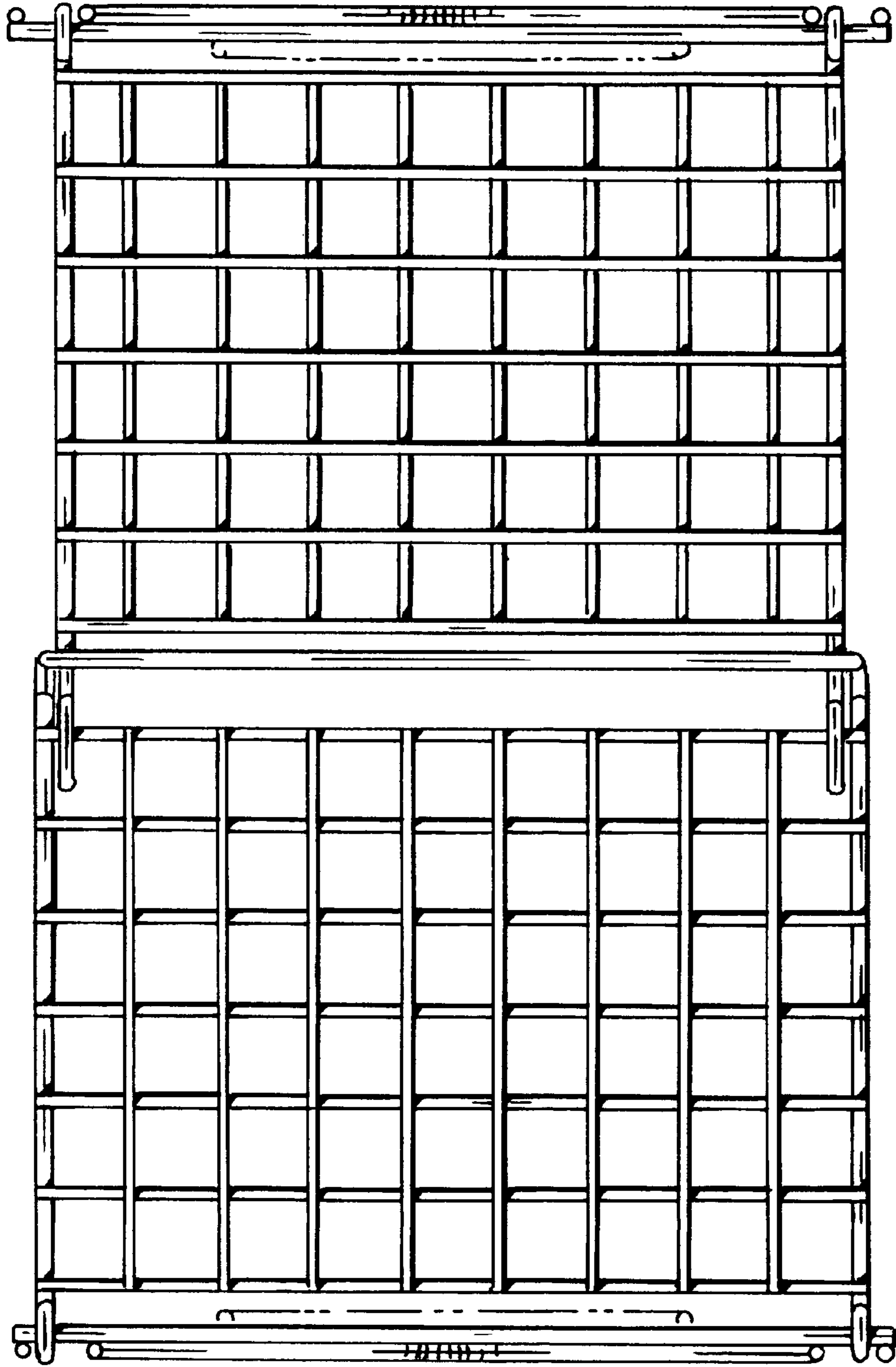


FIG. 5

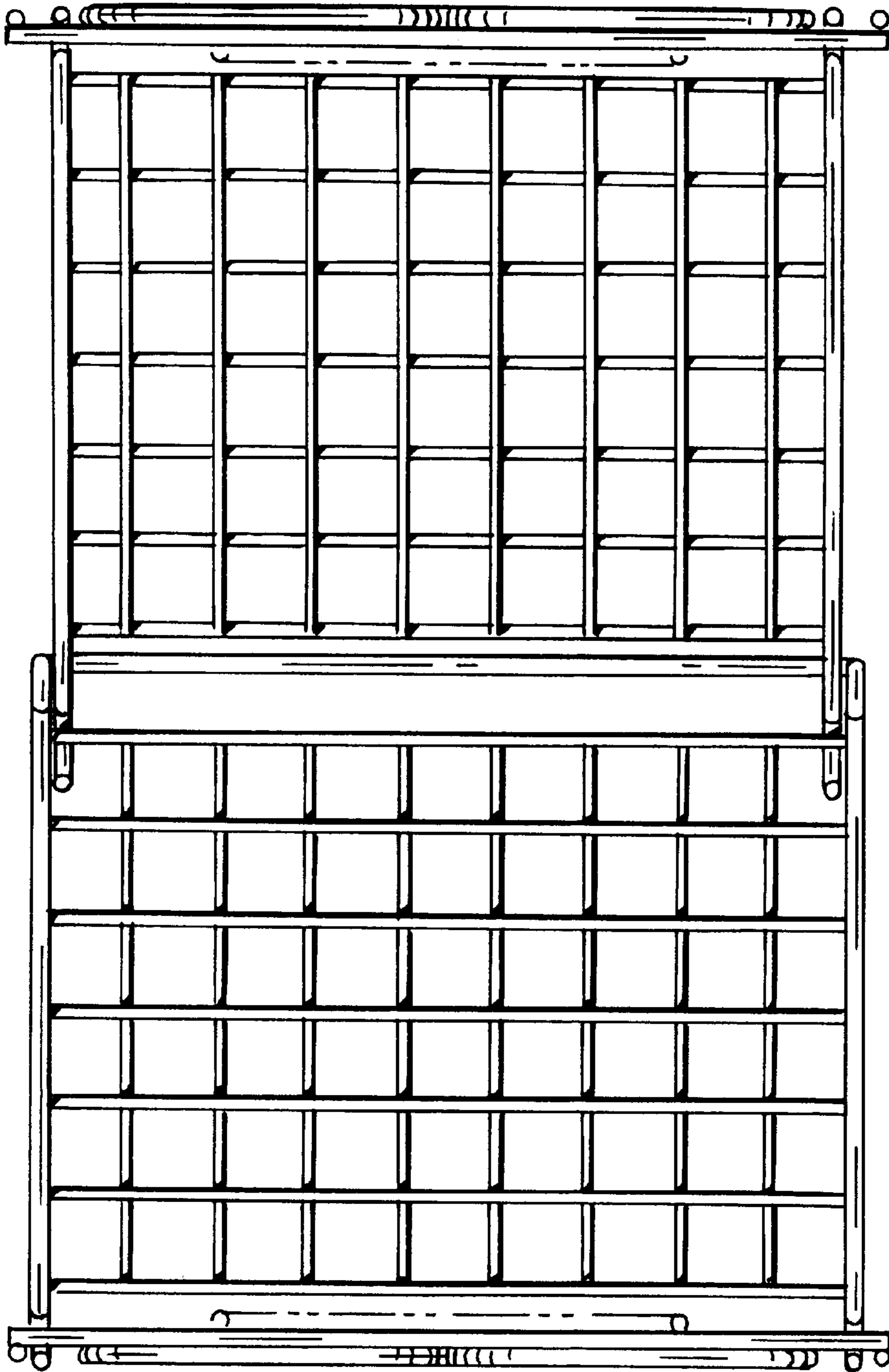


FIG. 6

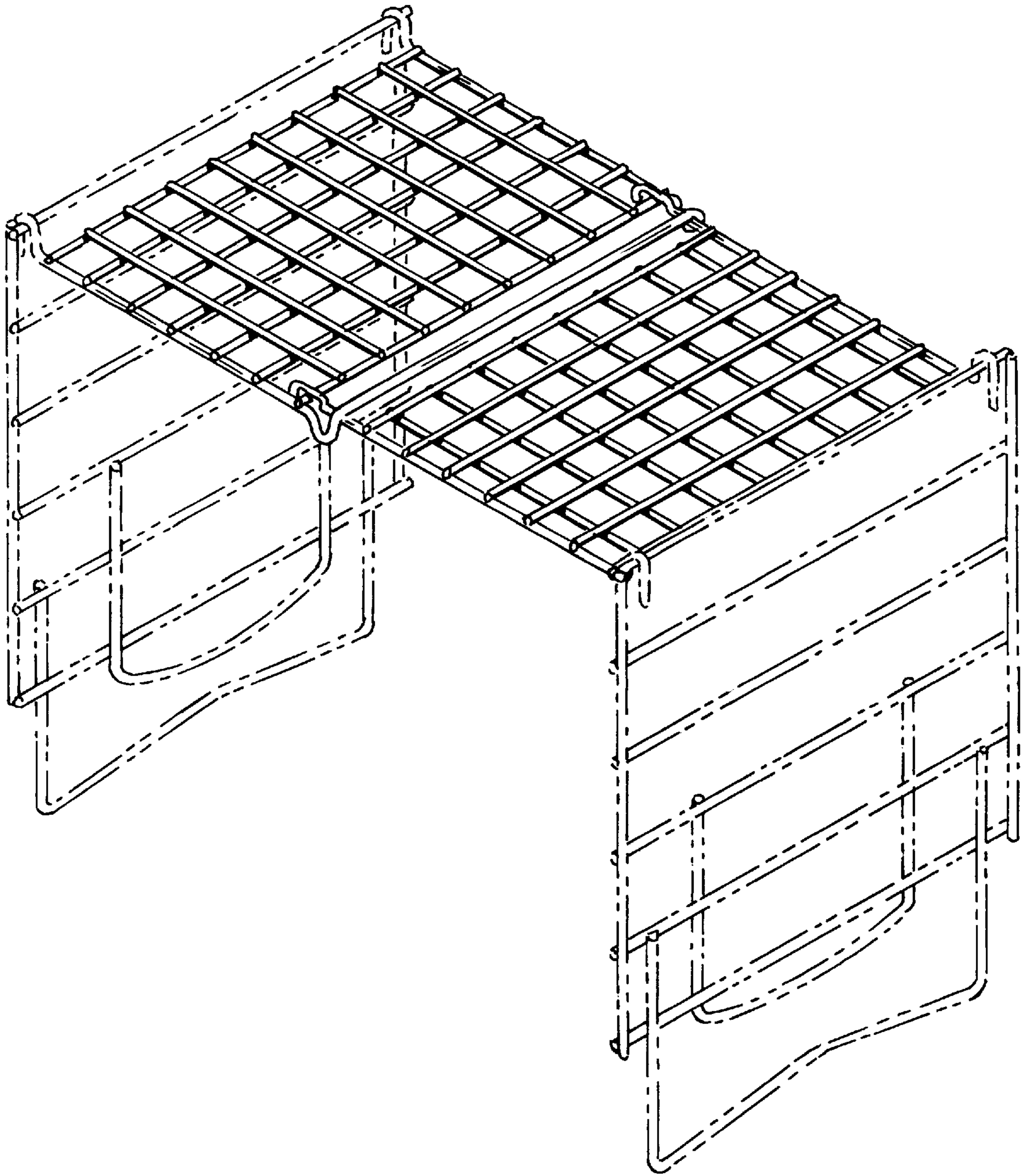


FIG. 7

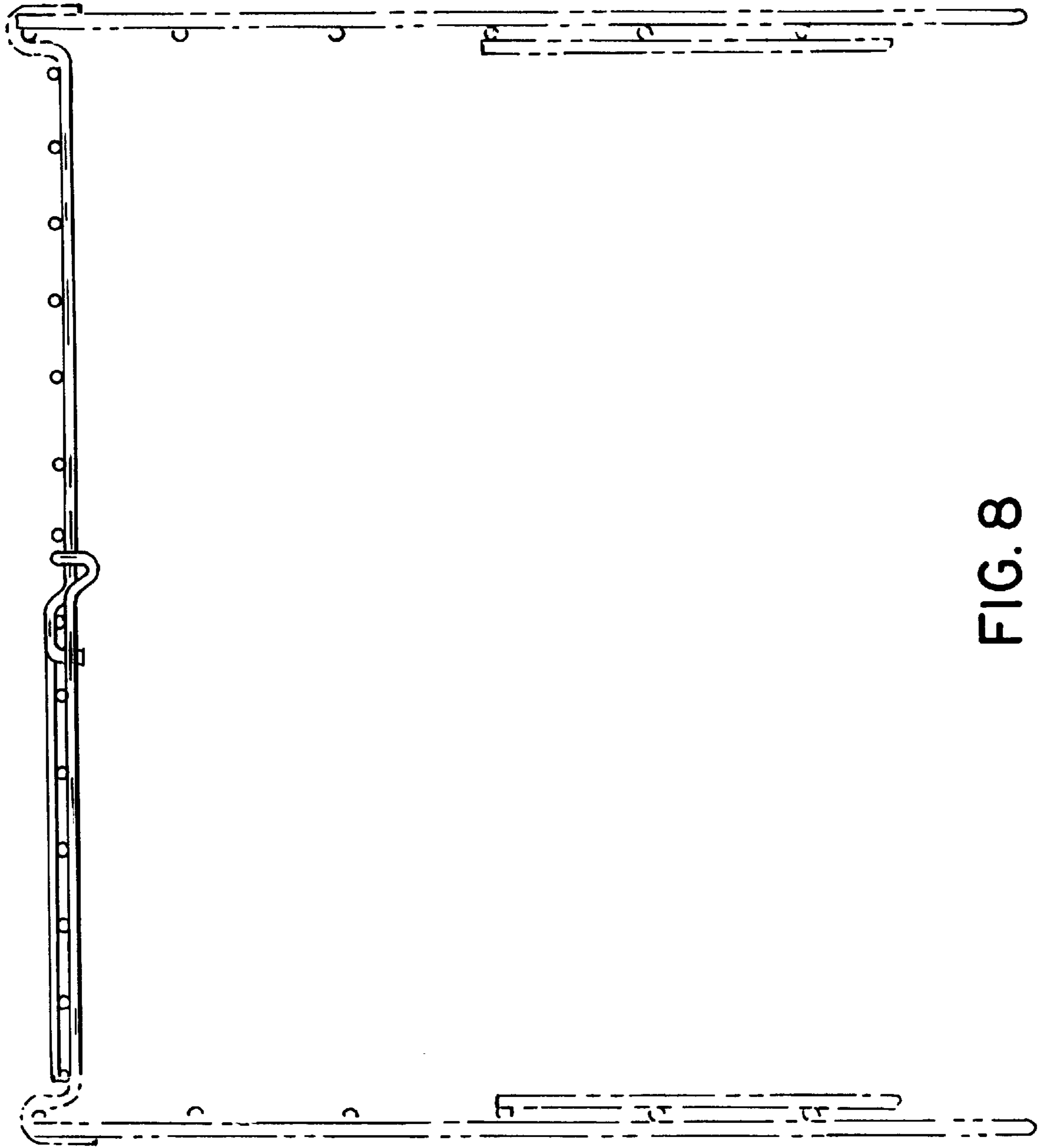


FIG. 8



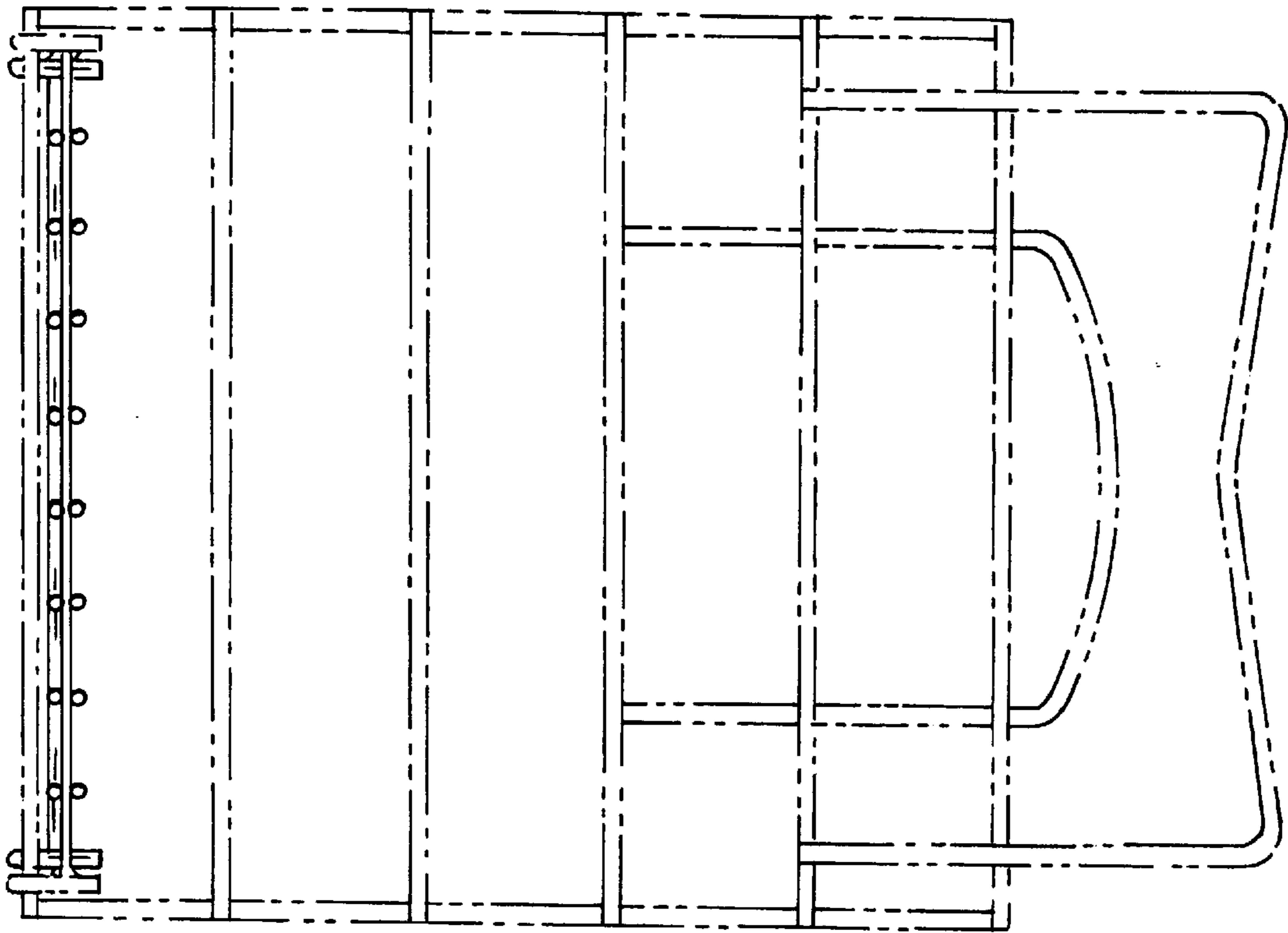


FIG. 9

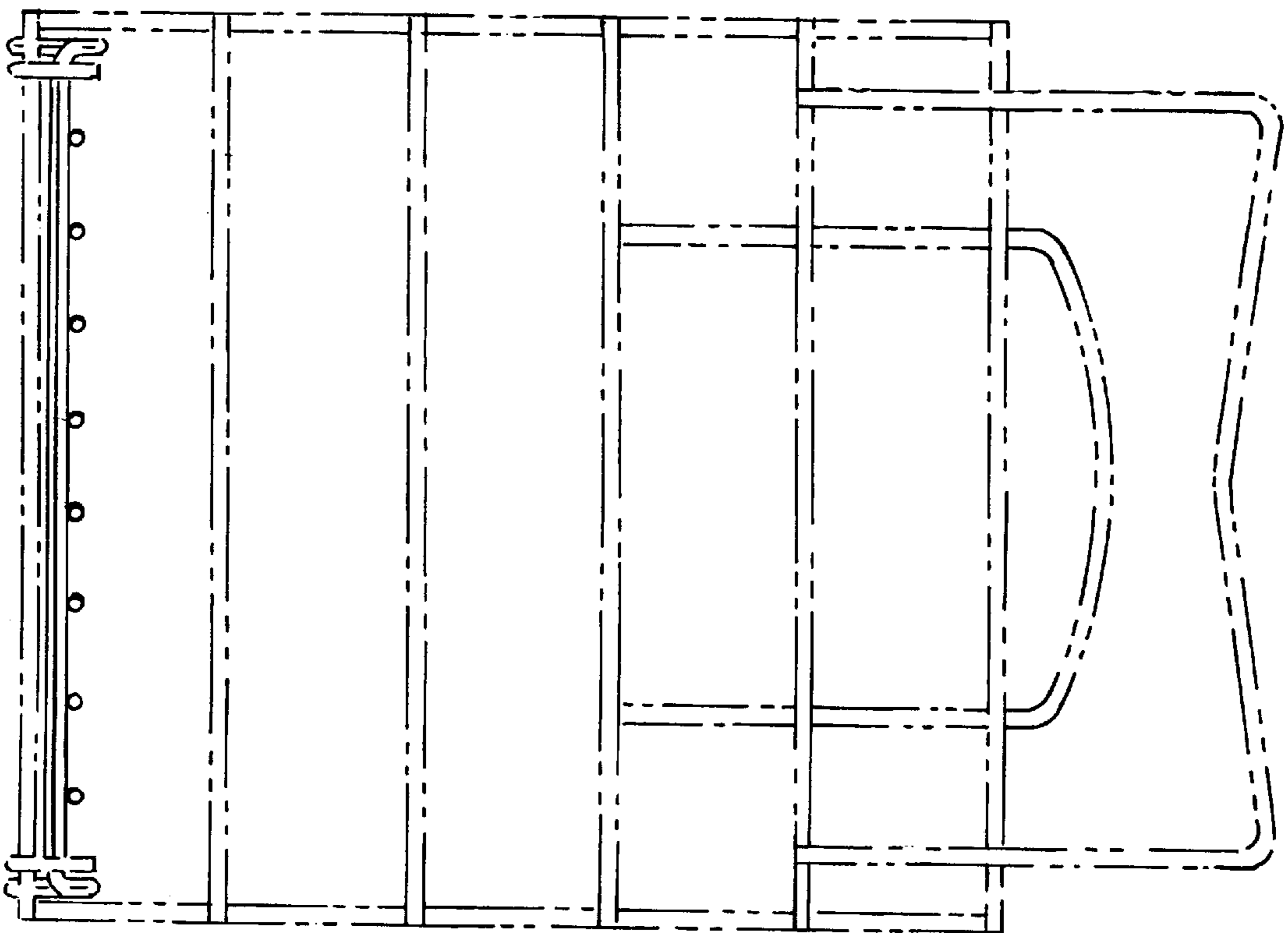


FIG. 10

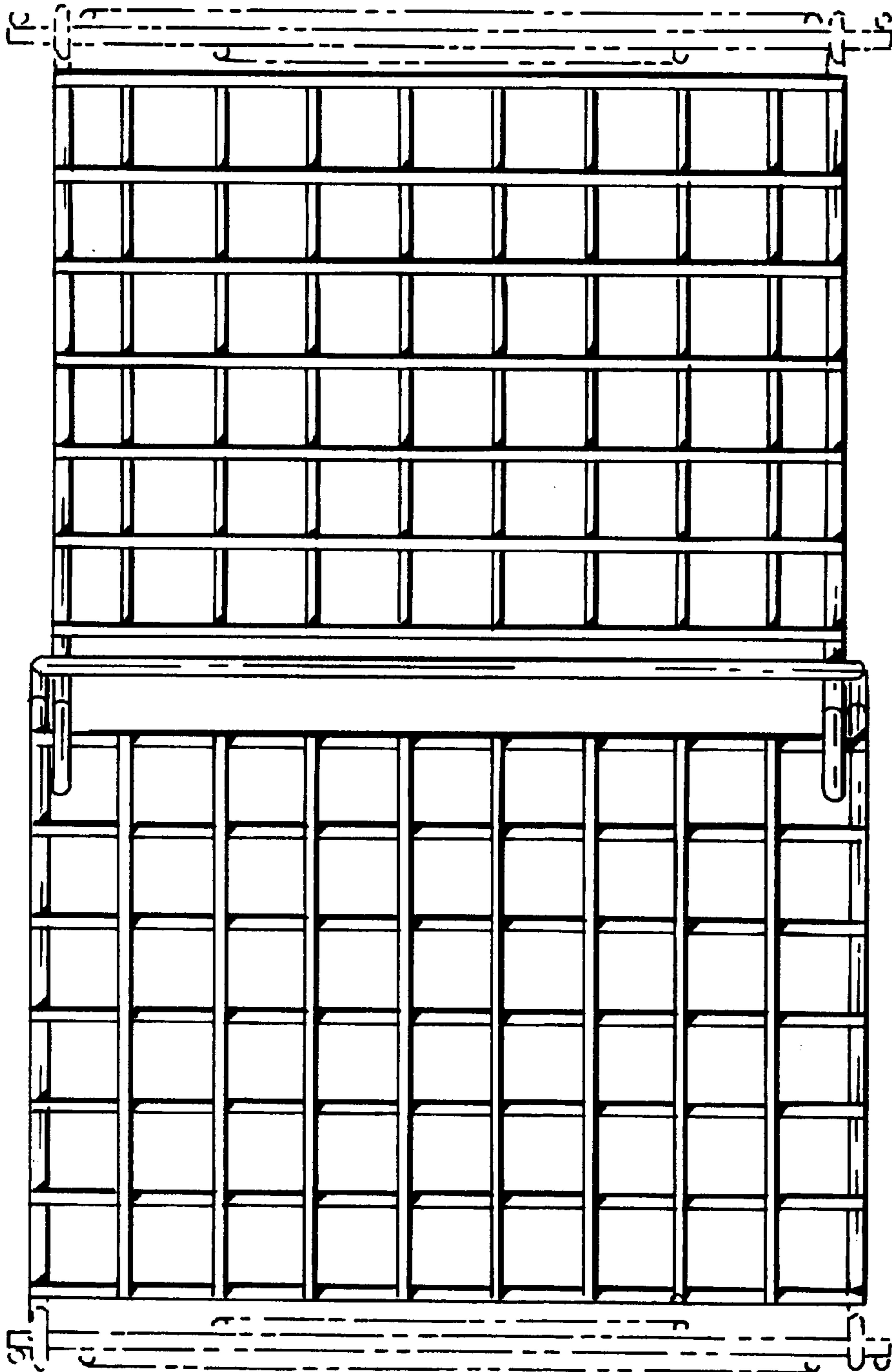


FIG. 11

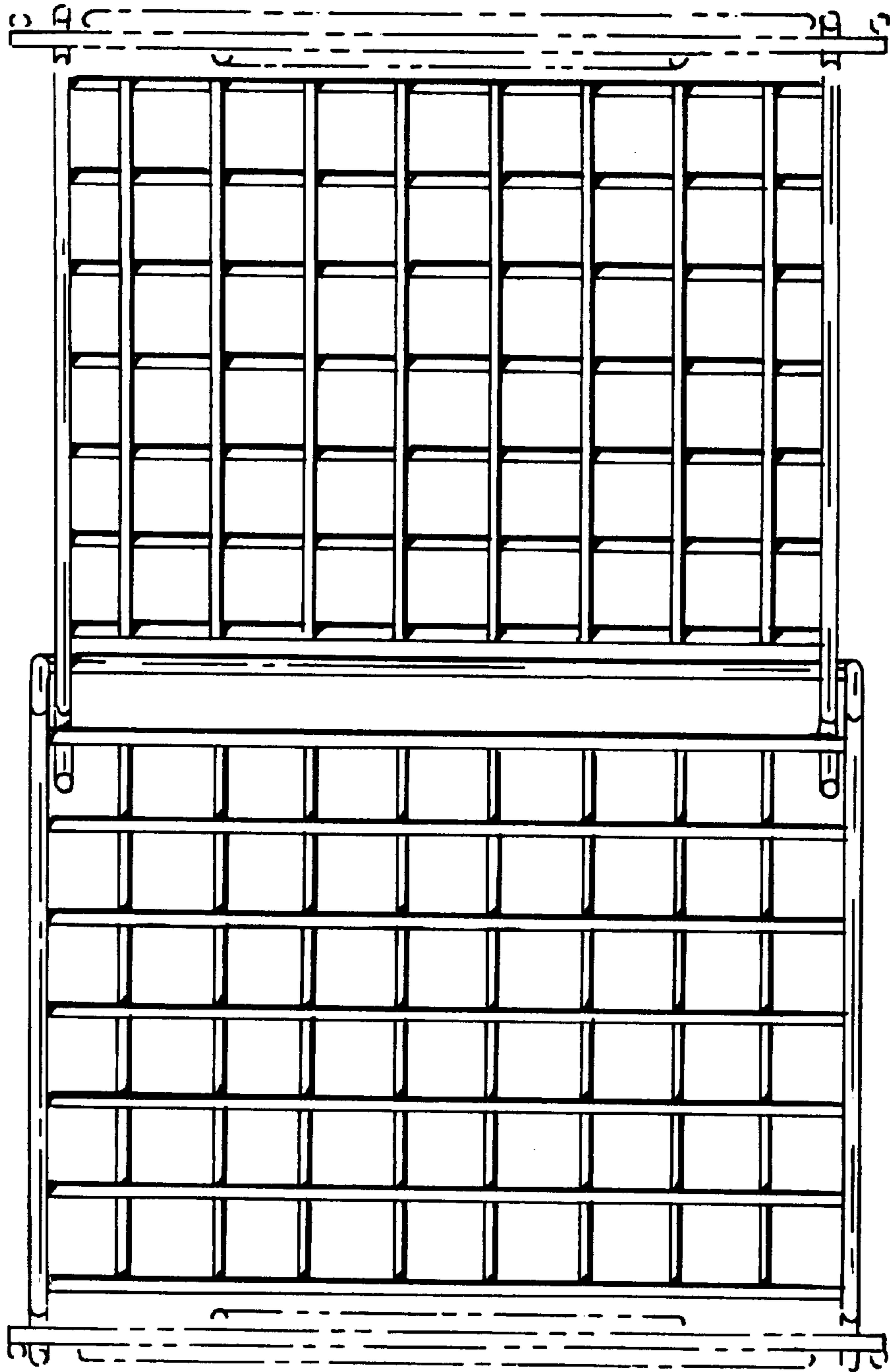


FIG. 12