



US00D413217S

United States Patent [19]

[11] Patent Number: Des. 413,217

Bidwell et al.

[45] Date of Patent: ** Aug. 31, 1999

[54] PRODUCT MERCHANDISING UNIT

4,981,224 1/1991 Rushing 211/126.1
5,343,814 9/1994 Pigott et al. 108/56.1

[75] Inventors: Christopher C. Bidwell, Dunwoody, Ga.; Jonathan L. Headrick; James P. Brauner, both of Overland, Mo.

Primary Examiner—Doris V. Coles
Assistant Examiner—Linda Brooks
Attorney, Agent, or Firm—Haverstock, Garrett and Roberts

[73] Assignee: Paul Flum Ideas, Inc., St. Louis, Mo.

[57] CLAIM

[**] Term: 14 Years

The ornamental design for a product merchandising unit, as shown and described.

[21] Appl. No.: 29/077,425

DESCRIPTION

[22] Filed: Sep. 25, 1997

[51] LOC (6) Cl. 06-04

[52] U.S. Cl. D6/510

[58] Field of Search D6/475-479, 553, D6/574, 509-511; 211/59.2, 59.3, 59.4, 11, 49.1, 71.01, 74, 85.26, 86.01, 126.1, 126.4, 126.5, 126.12, 126.14, 133.1, 133.3, 134, 186-189, 190, 193-195; 206/503, 505, 507, 509, 557, 562, 564; 108/25, 26, 59, 56.1, 56.3, 55.3, 106-110, 147.11-147.17

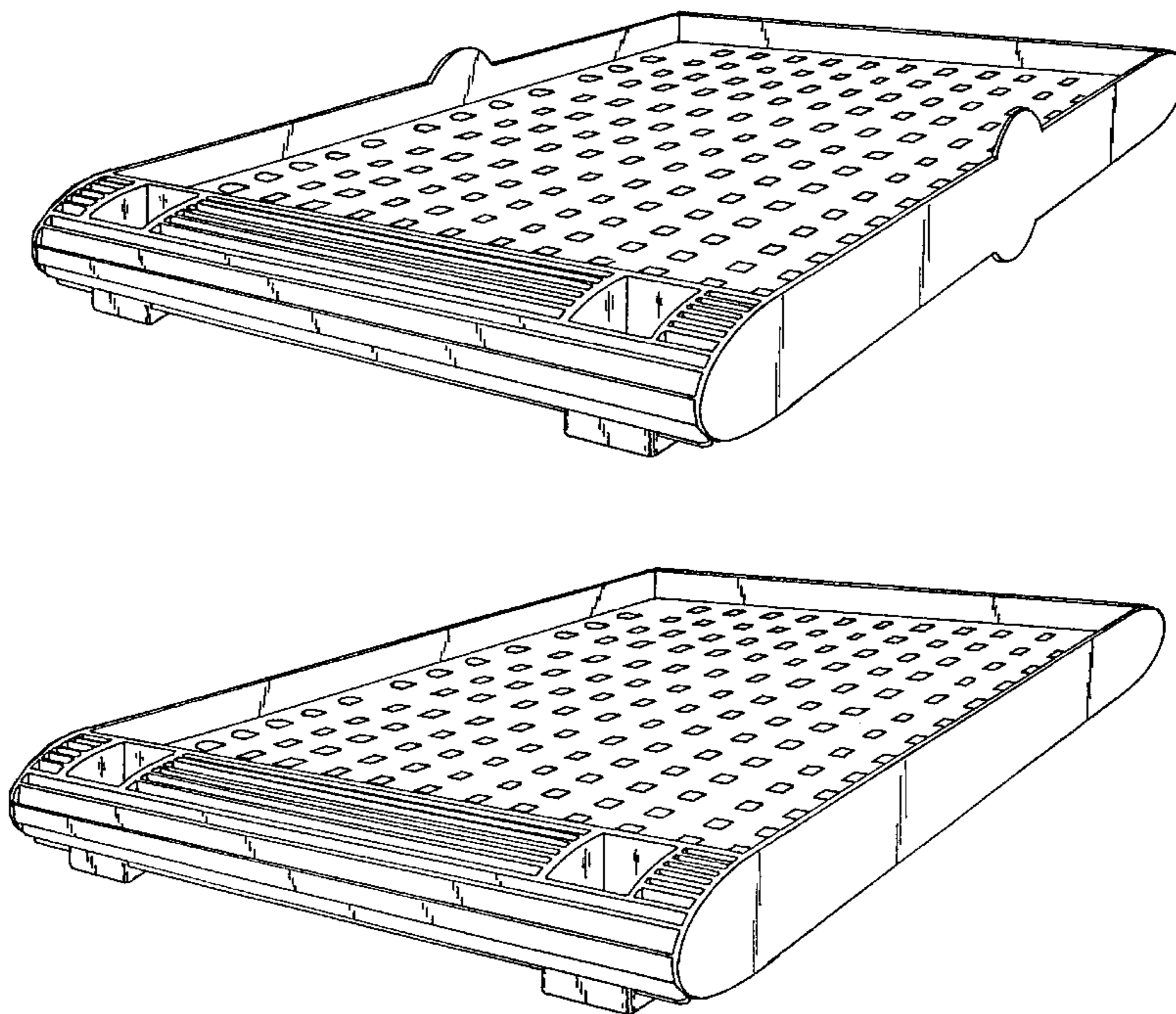
FIG. 1 is a perspective view of a product merchandising unit showing our new design;
FIG. 2 is a top plan view thereof;
FIG. 3 is a front elevational view thereof, the rear elevational view being a mirror image thereof;
FIG. 4 is a bottom plan view thereof;
FIG. 5 is a left side elevational view thereof, the opposite side being a mirror image thereof;
FIG. 6 is a perspective view of another embodiment of the product merchandising unit of FIGS. 1-5 showing our new design;
FIG. 7 is a top plan view of the embodiment shown in FIG. 6;
FIG. 8 is a front elevational view of the embodiment shown in FIG. 6, the rear elevational view being a mirror image thereof;
FIG. 9 is a bottom plan view of the embodiment shown in FIG. 6; and,
FIG. 10 is a left side elevational view of the embodiment shown in FIG. 6, the opposite side being a mirror image thereof.

[56] References Cited

U.S. PATENT DOCUMENTS

D. 296,397	6/1988	Cugley	D6/476
D. 363,840	11/1995	Weshler	D6/476
D. 364,987	12/1995	Chow	D6/629
D. 385,438	10/1997	Jay	D6/450
3,581,681	6/1971	Newton	108/56.1
4,579,233	4/1986	Hepp	211/126.1
4,671,411	6/1987	Rehrig et al.	206/505
4,759,451	7/1988	Apps	211/126.1
4,887,724	12/1989	Pielechowski et al.	211/126.1 X
4,901,872	2/1990	Lang	211/133.1

1 Claim, 7 Drawing Sheets



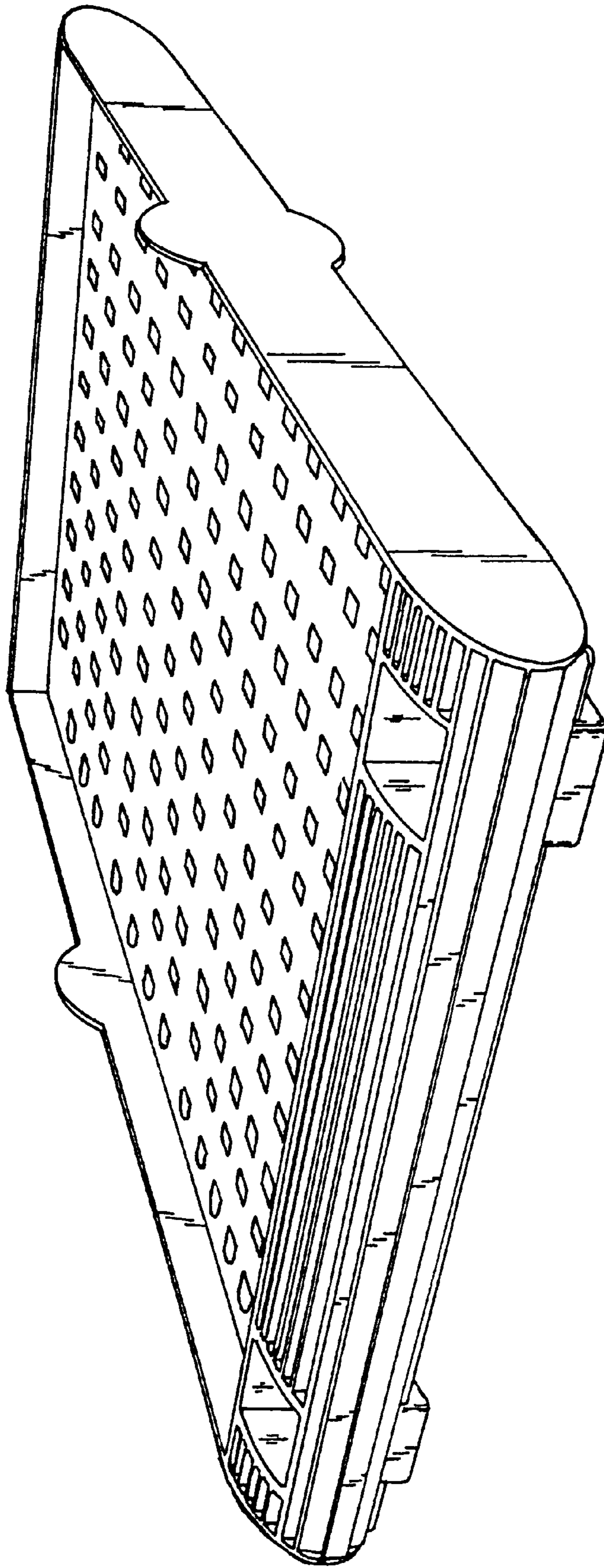


Fig. 1

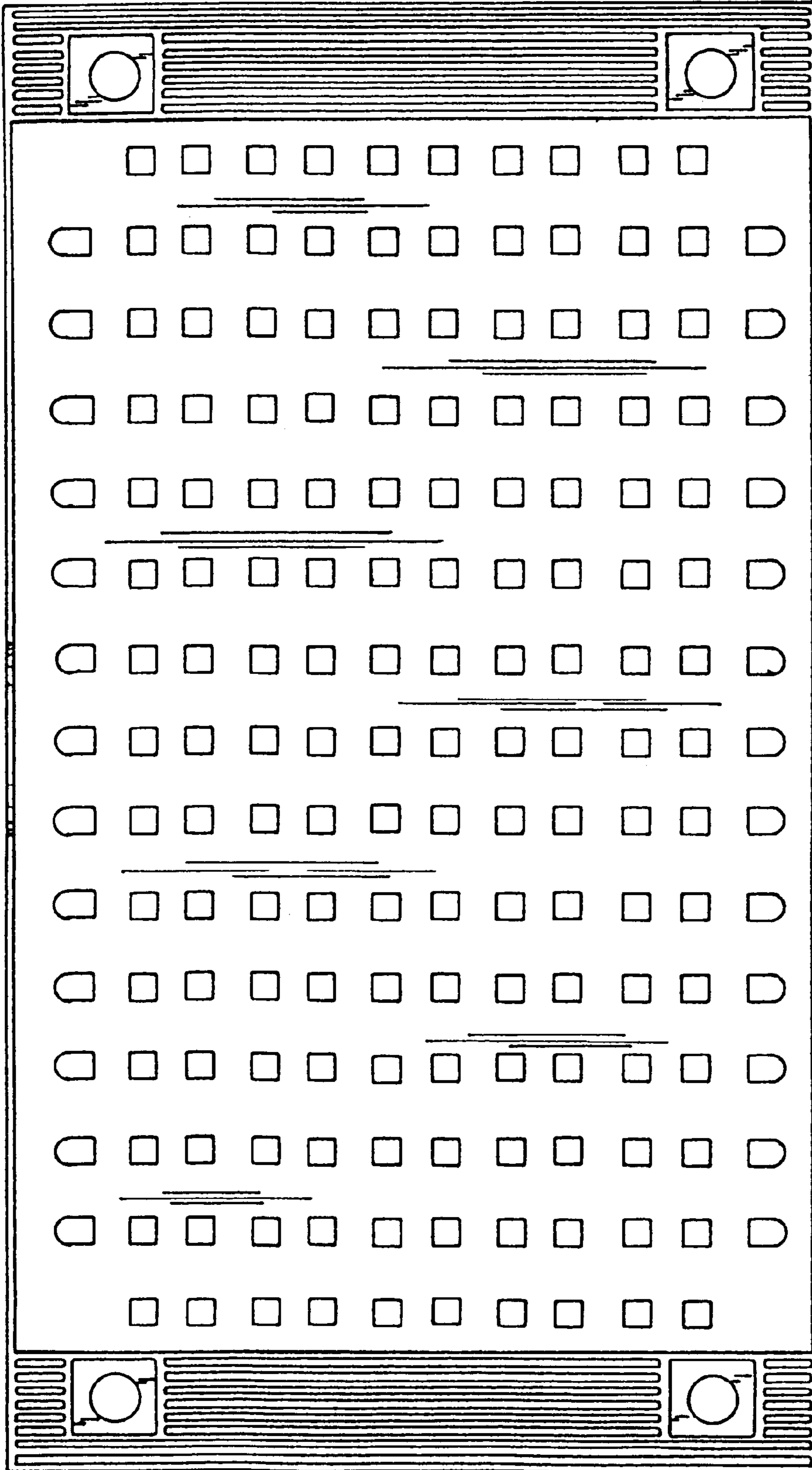


Fig. 2

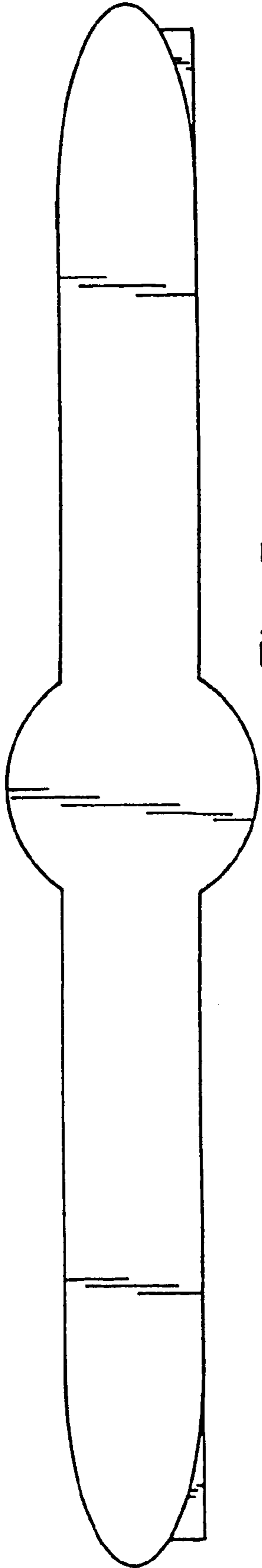


Fig. 3

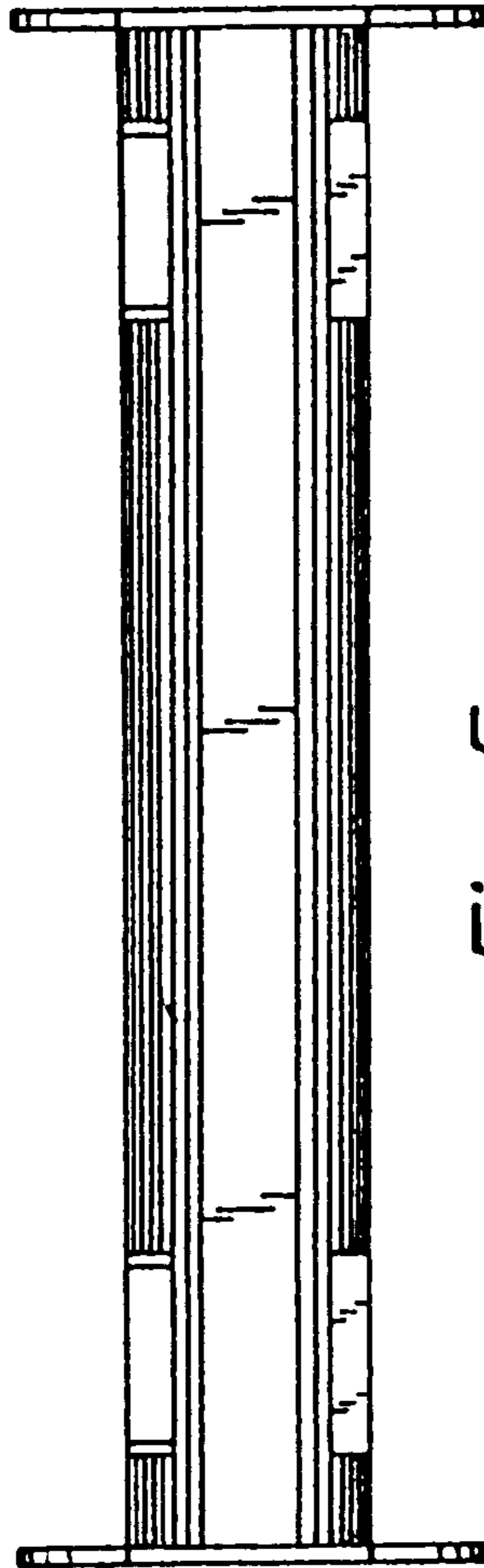


Fig. 5

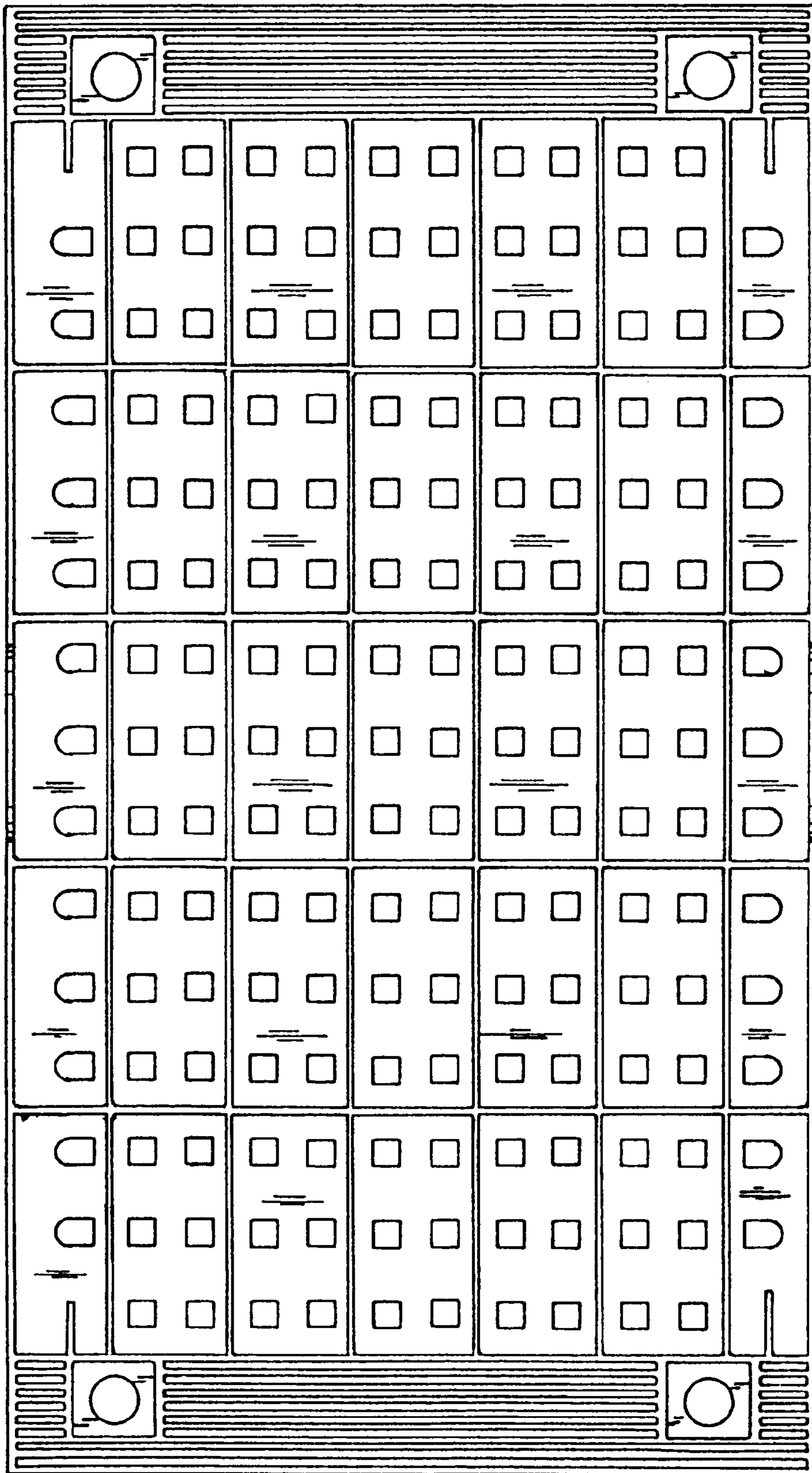


Fig. 4

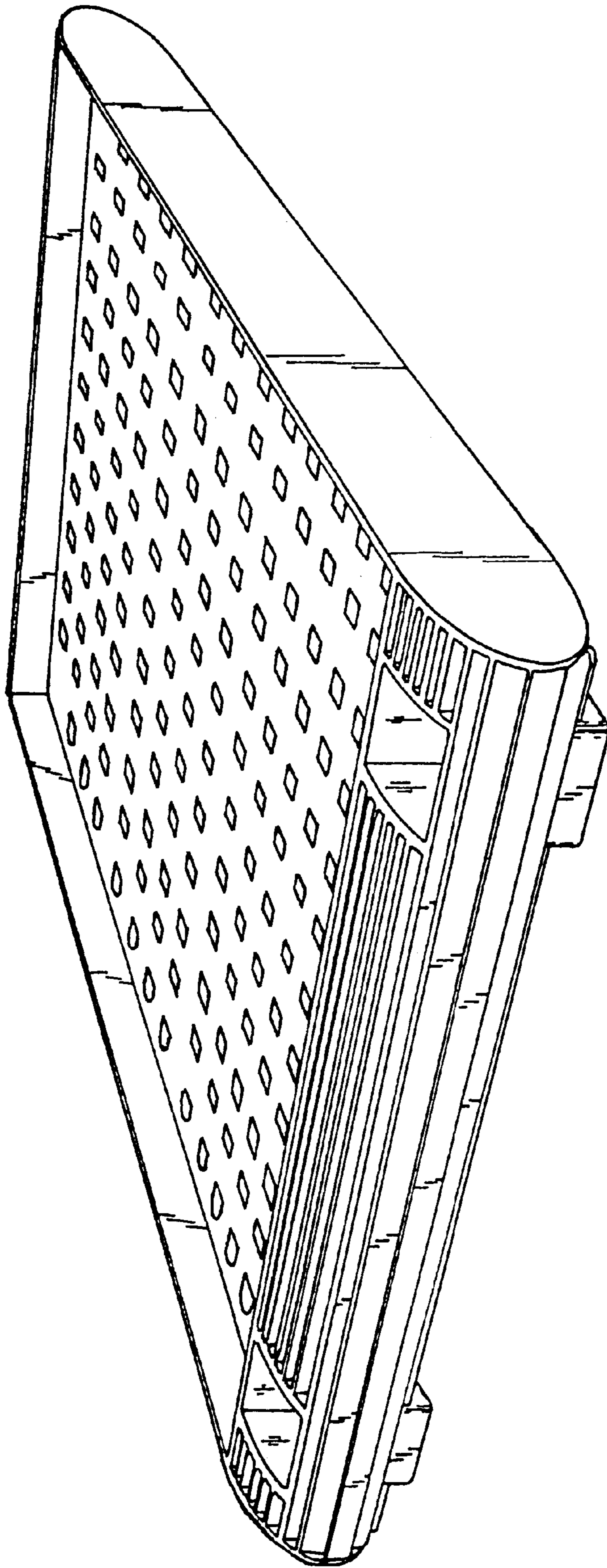


Fig. 6

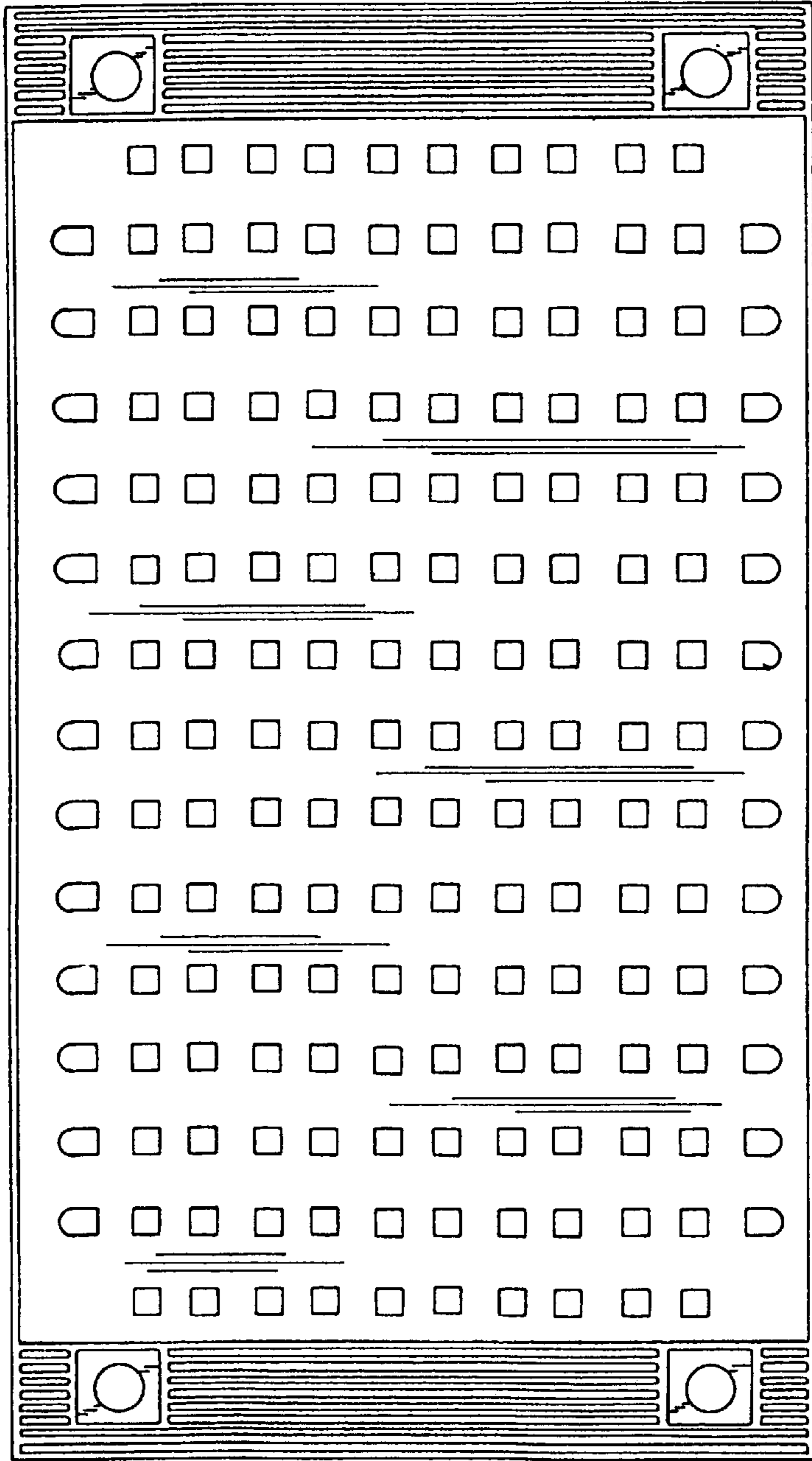


Fig. 7

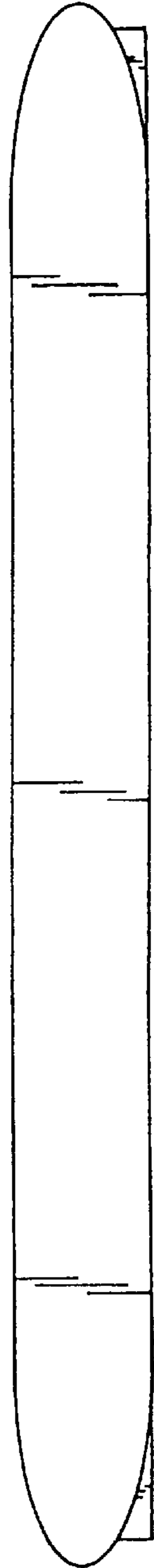


Fig. 8

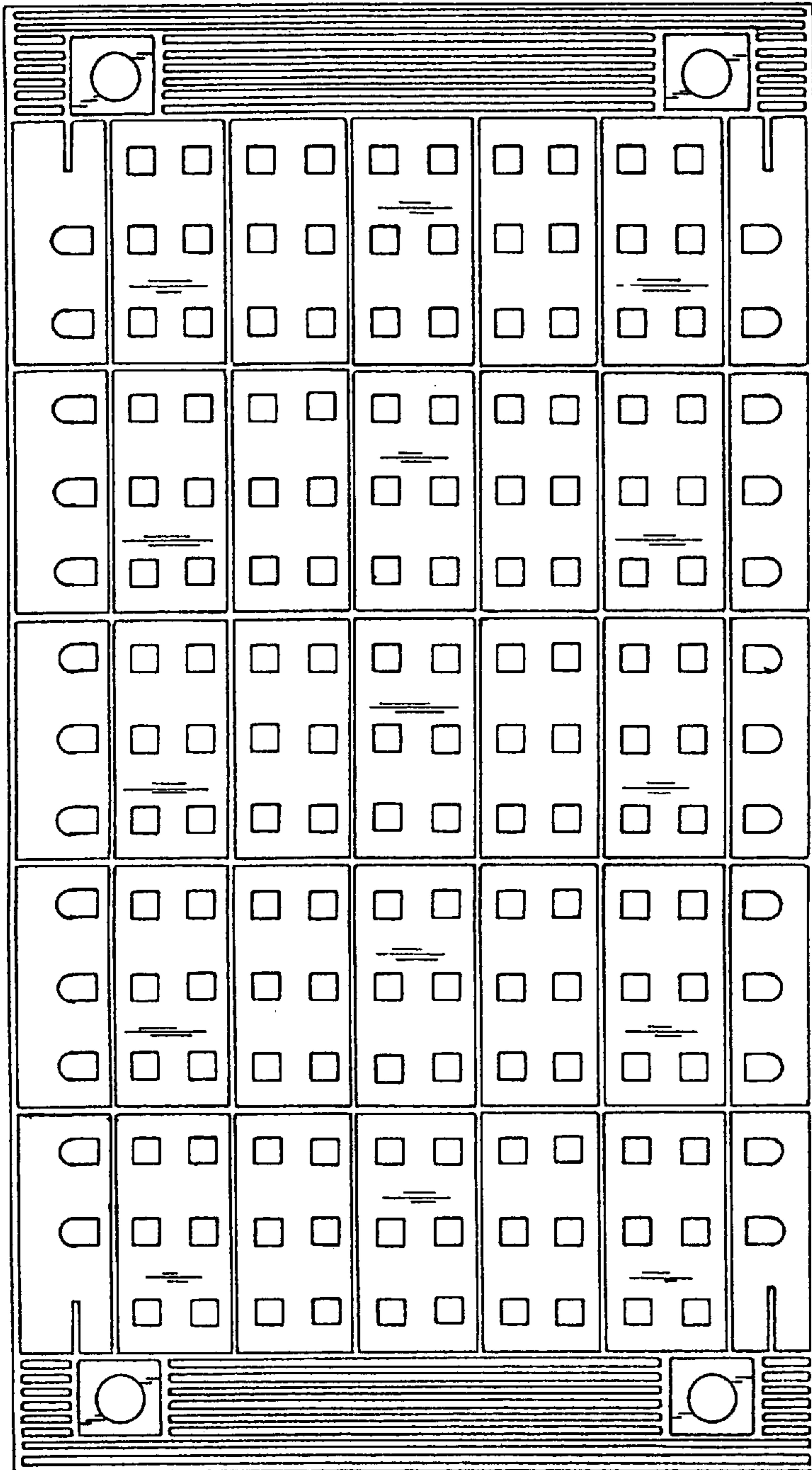


Fig. 9

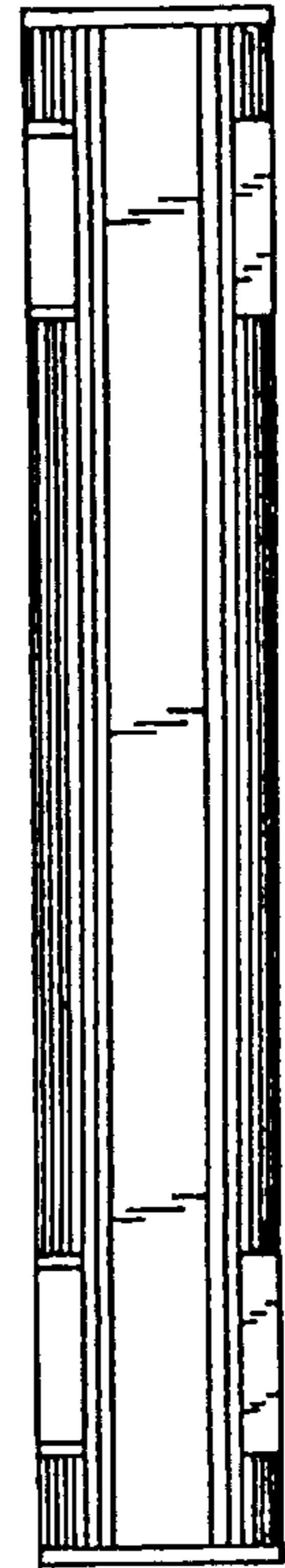


Fig. 10