



US00D413216S

United States Patent [19]

Regan et al.

[11] **Patent Number: Des. 413,216**

[45] **Date of Patent: ** *Aug. 31, 1999**

[54] **EDGE TRIM SURFACE TREATMENT FOR A CHAIR**

4,106,739 8/1978 Gasser 248/345.1
5,527,097 6/1996 Martin 297/463.1

[75] Inventors: **Kim J. Regan**, Carmel; **Hal I. Bond**, Macy; **Harry Richardson, Jr.**, Carmel, all of Ind.

OTHER PUBLICATIONS

Edging for backrest of chair No. 8120-AB (p. 9) and chair No. 8130-AB (p. 8), Shelby Williams catalog, Oct. 1998.

[73] Assignee: **Hanco Inc.**, Peru, Ind.

Primary Examiner—Doris V. Coles
Assistant Examiner—Mimosa De
Attorney, Agent, or Firm—Clifford W. Browning; Woodard, Emhardt, Naughton, Moriarty & McNett

[*] Notice: This patent is subject to a terminal disclaimer.

[**] Term: **14 Years**

[57] CLAIM

[21] Appl. No.: **29/077,285**

The ornamental design for edge trim surface treatment for a chair, as shown and described.

[22] Filed: **Oct. 1, 1997**

DESCRIPTION

[51] **LOC (6) Cl.** **06-01**

FIG. 1 is a perspective view of edge trim surface treatment for a chair showing our new design.

[52] **U.S. Cl.** **D6/502**

FIG. 2 is a left side view, the right side view being a mirror image thereof.

[58] **Field of Search** D6/334, 336, 368, D6/374, 375, 380, 500, 501, 502; 248/345.1; 297/252.29, 452.38, 452.65, 463.1, 463.2

FIG. 3 is a front view.

FIG. 4 is a rear view.

FIG. 5 is a top view; and,

FIG. 6 is a bottom view.

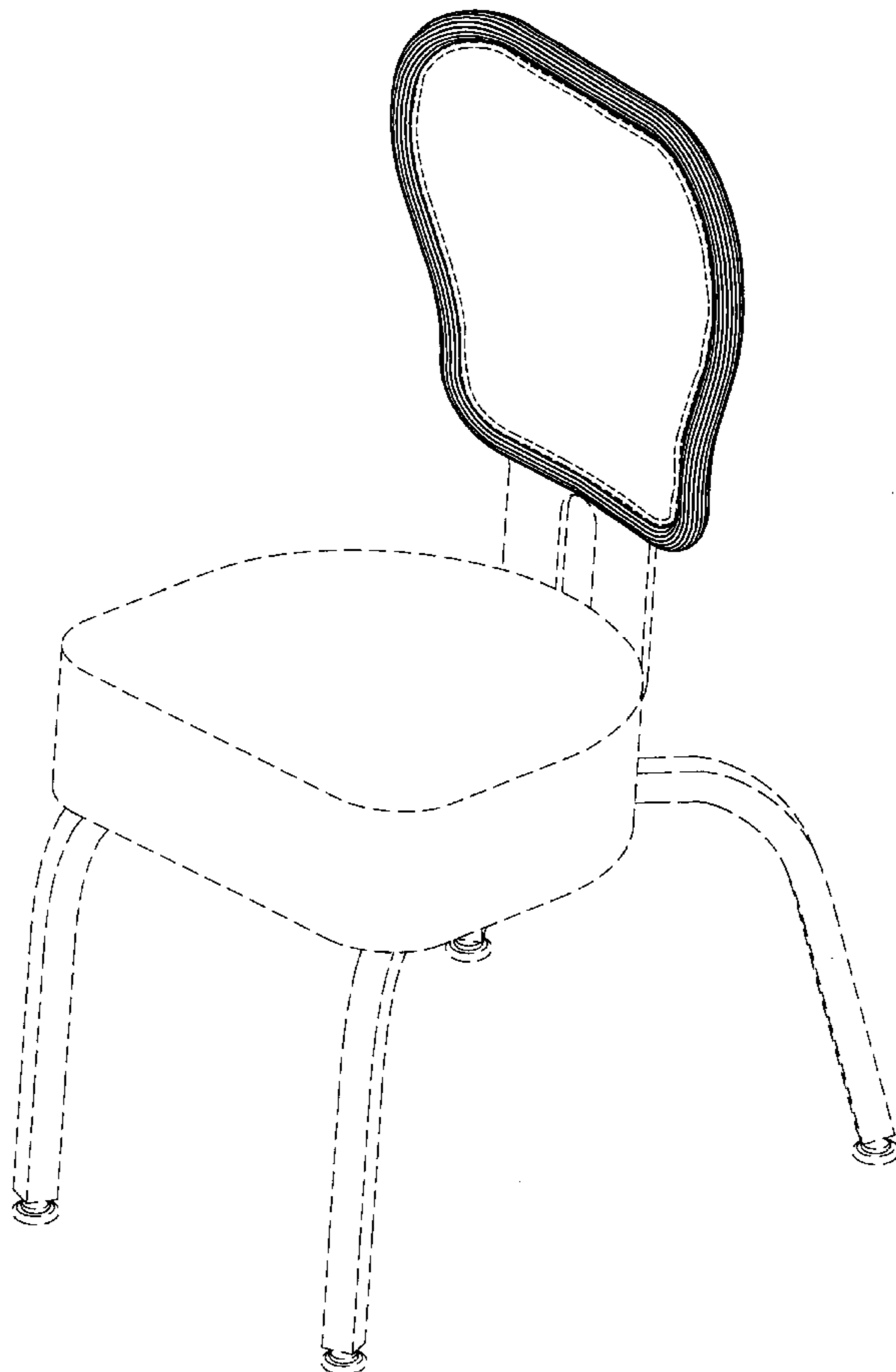
[56] References Cited

U.S. PATENT DOCUMENTS

D. 259,841 7/1981 Mioni D6/380
D. 341,045 11/1993 Barile D6/502
D. 341,964 12/1993 Sorrentio D6/500

The broken line showing of a chair is for illustrative purposes only and forms no part of the claimed design.

1 Claim, 5 Drawing Sheets



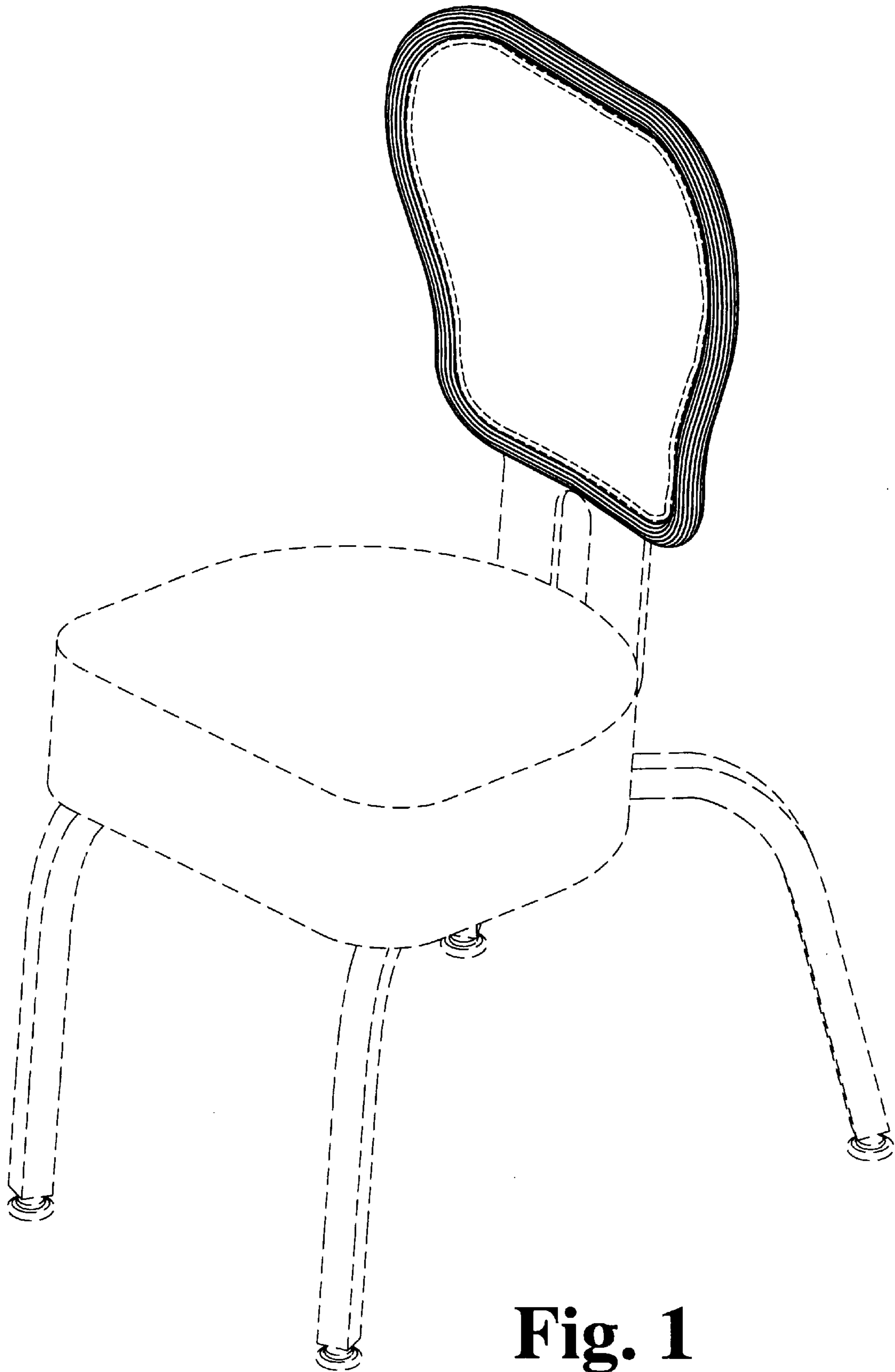


Fig. 1

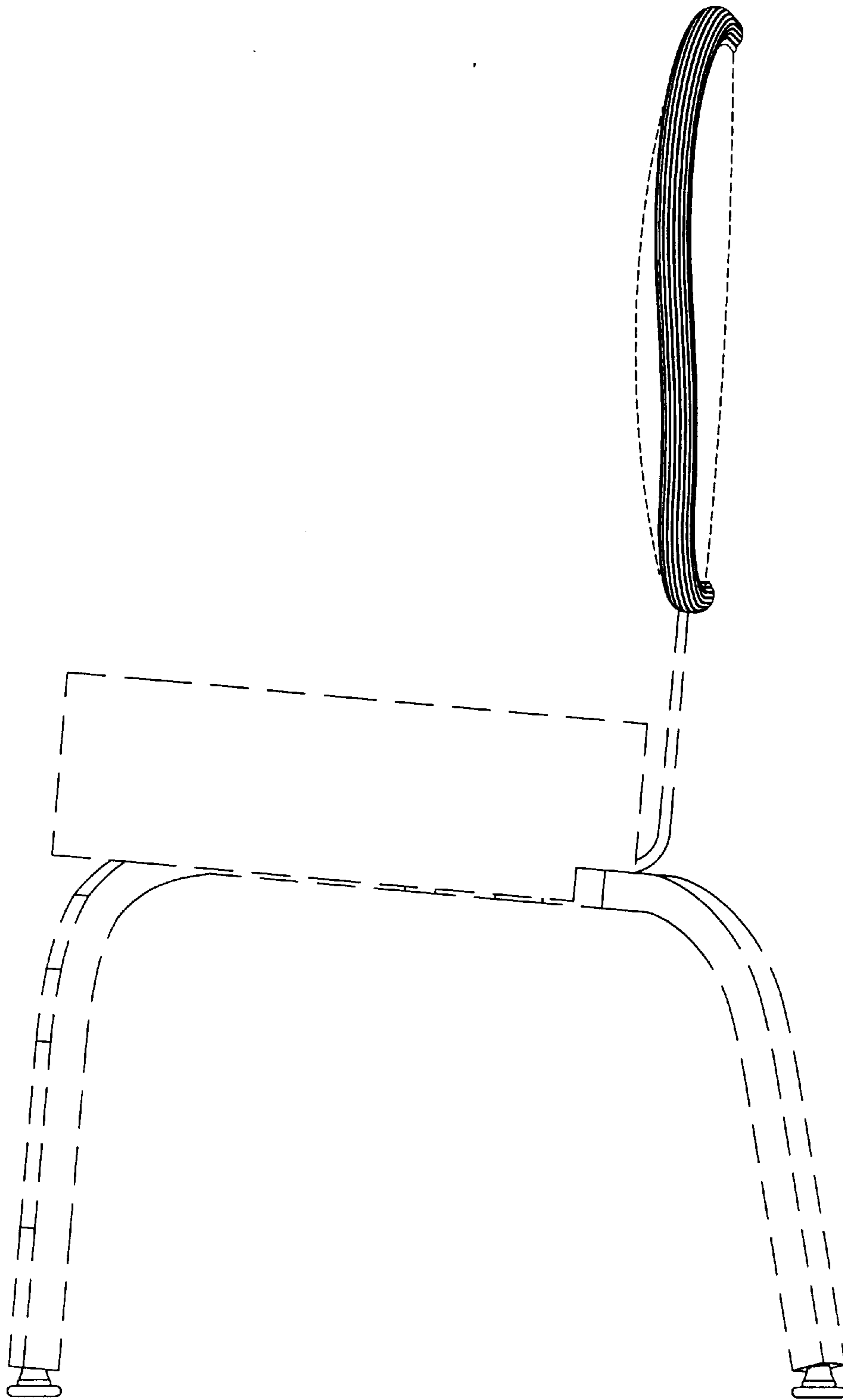


Fig. 2

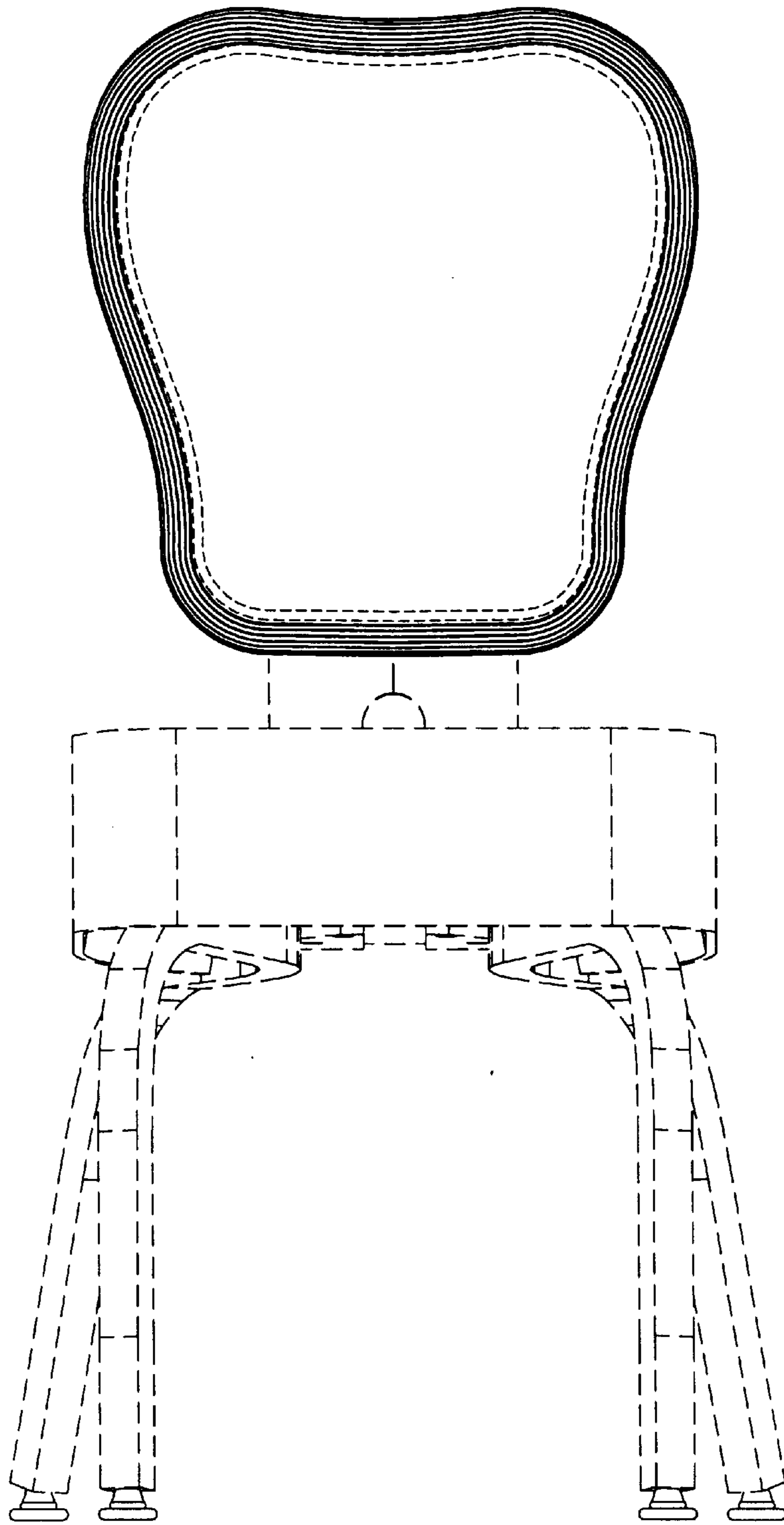


Fig. 3

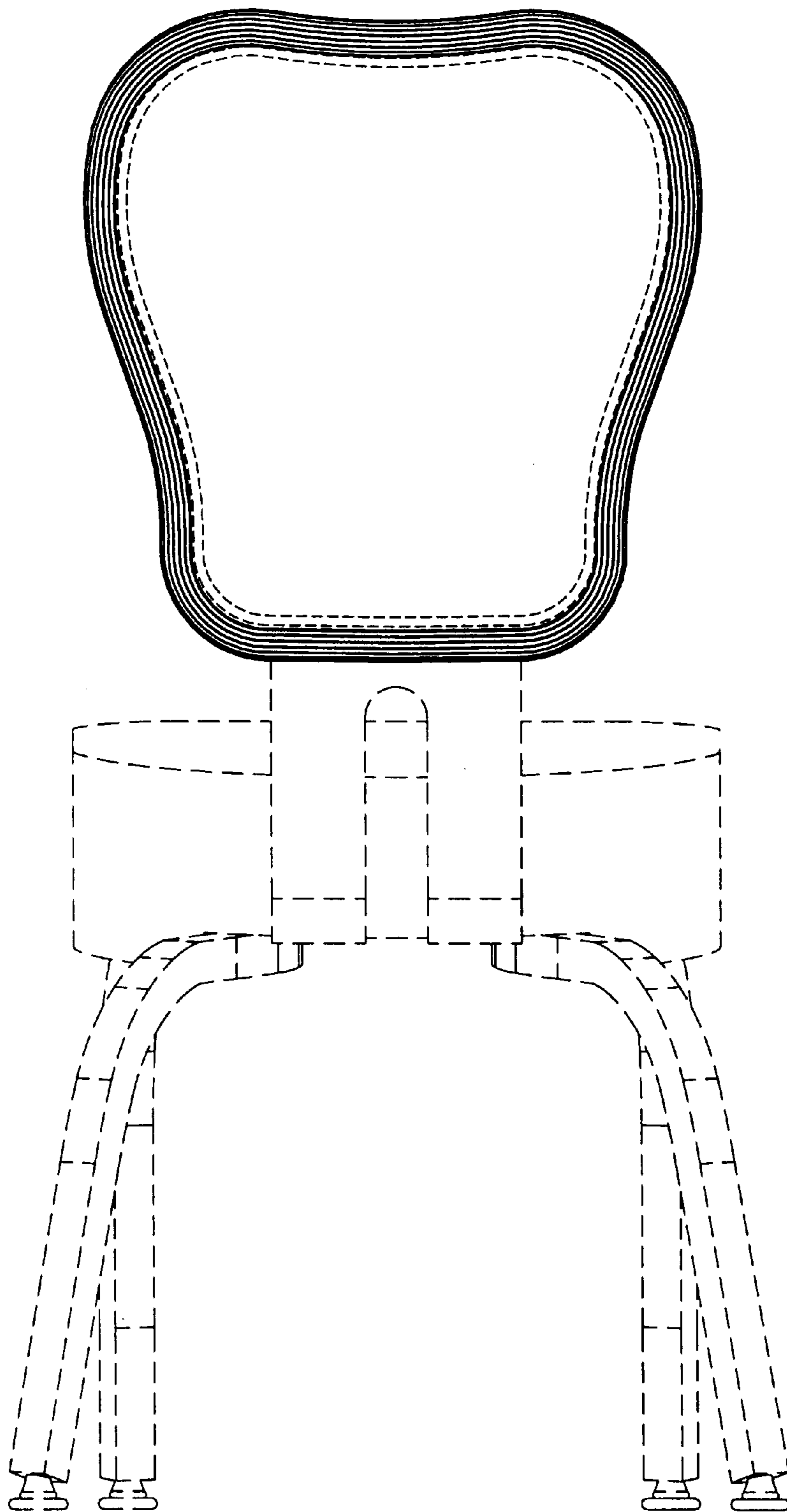


Fig. 4

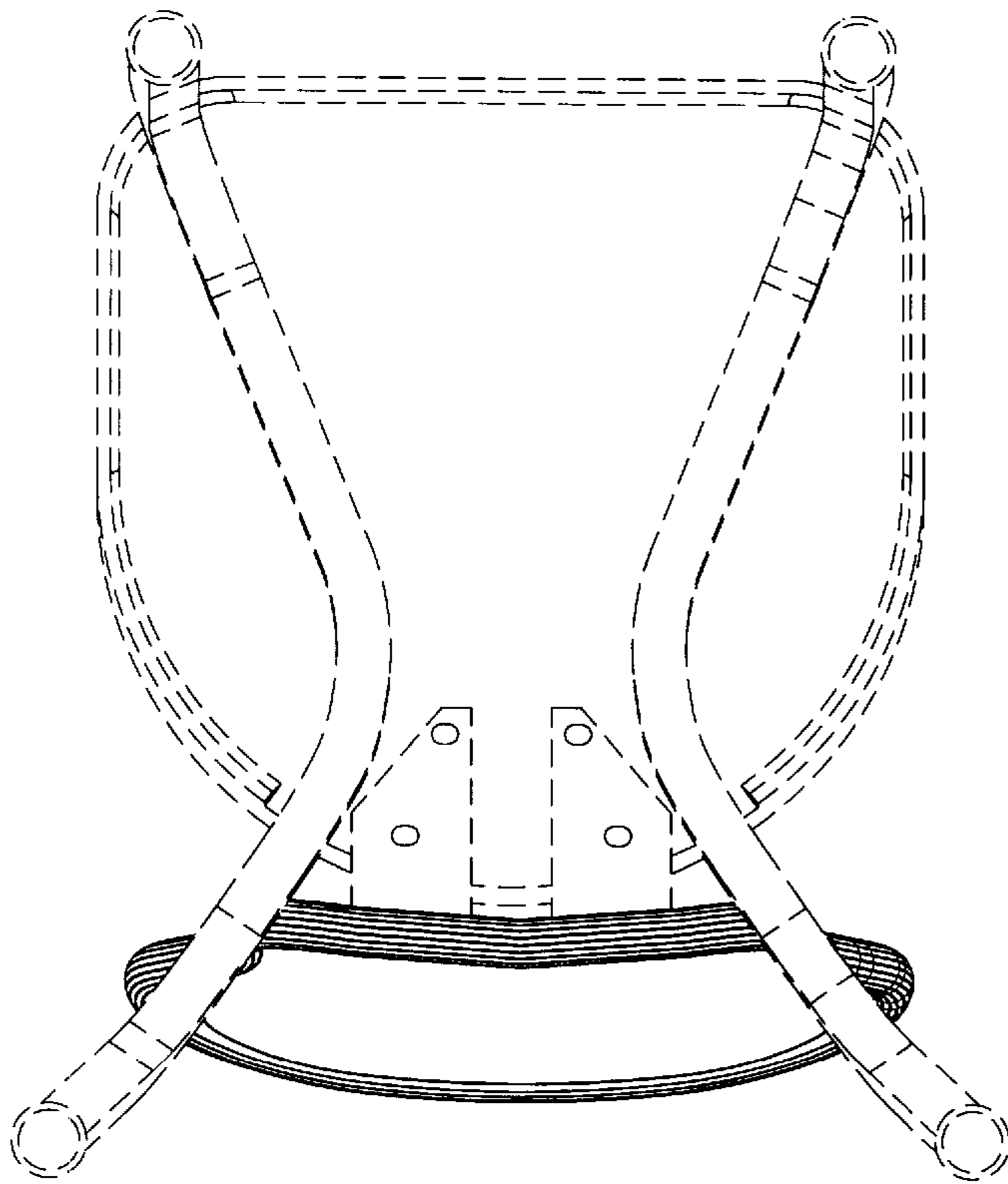


Fig. 6

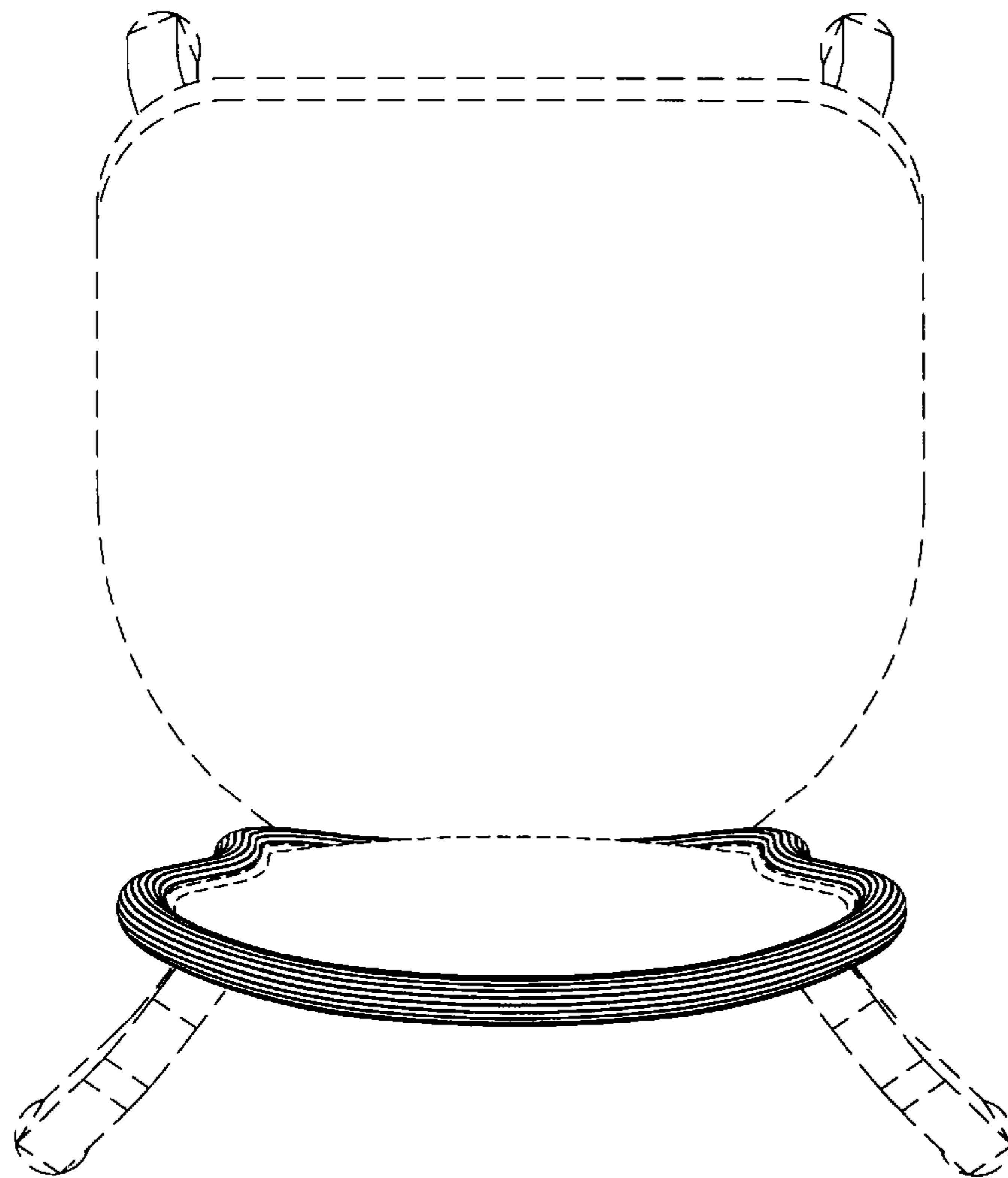


Fig. 5