



US00D413214S

United States Patent [19] Chu

[11] **Patent Number: Des. 413,214**

[45] **Date of Patent: ** Aug. 31, 1999**

[54] **BASE FOR A CHAIR**

[75] Inventor: **Zoocy Chu**, Grand Rapids, Mich.

[73] Assignee: **Teknion Furniture Systems Inc.**,
Downsview, Canada

[**] Term: **14 Years**

[21] Appl. No.: **29/087,815**

[22] Filed: **May 11, 1998**

[30] **Foreign Application Priority Data**

Mar. 31, 1998 [CA] Canada 1998-0777

[51] **LOC (6) Cl.** **06-01**

[52] **U.S. Cl.** **D6/498**

[58] **Field of Search** D6/366-368, 500-502,
D6/495, 498, 496, 497, 499; 297/411.2,
411.4, 411.44, 411.36, 450.1, 452.11, 452.21,
452.29, 463.1, 230.1, 230.12, 284.1, 284.4;
248/188.1, 188.7, 188.8, 188.9

[56] **References Cited**

U.S. PATENT DOCUMENTS

D. 164,900 10/1951 Burdick D6/498
D. 192,143 1/1962 Anderson D15/1

D. 238,646 2/1976 Schoblom D6/498
D. 273,549 4/1984 Pettit D6/498
D. 295,925 5/1988 Uredat-Neuhoff D6/366
D. 312,011 11/1990 Caruso et al. D6/498
D. 321,299 11/1991 Caruso et al. D6/498
D. 336,395 6/1993 Sulzer D6/498
D. 344,190 2/1994 Fulcheri D6/366
D. 363,842 11/1995 Larkin D6/498
D. 366,377 1/1996 Perl D6/498
5,149,035 9/1992 Bonemma et al. 248/188.7

Primary Examiner—Jeffrey Asch
Attorney, Agent, or Firm—Philip C. Mendes da Costa;
Bereskin & Parr

[57] **CLAIM**

The ornamental design for a base for a chair, as shown and described.

DESCRIPTION

FIG. 1 is a perspective view of the base.
FIG. 2 is a top plan view of the base of FIG. 1.
FIG. 3 is a bottom plan view of the base of FIG. 1.
FIG. 4 is a side elevational view of the base of FIG. 1 between two of the radially extending arms; and,
FIG. 5 is a side elevational view of the base of FIG. 1 from a position in front of one of the radially extending arms.

1 Claim, 2 Drawing Sheets

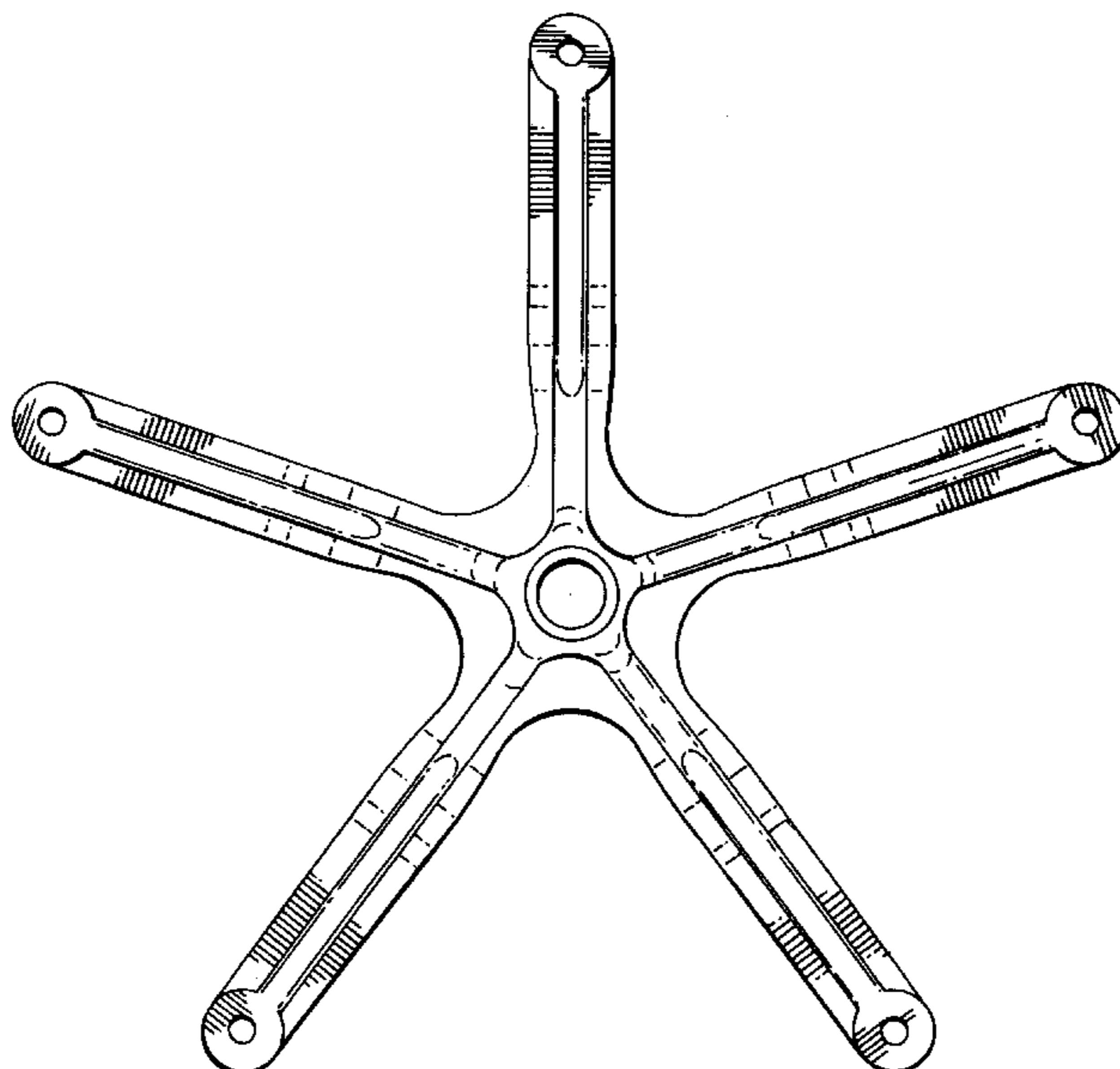
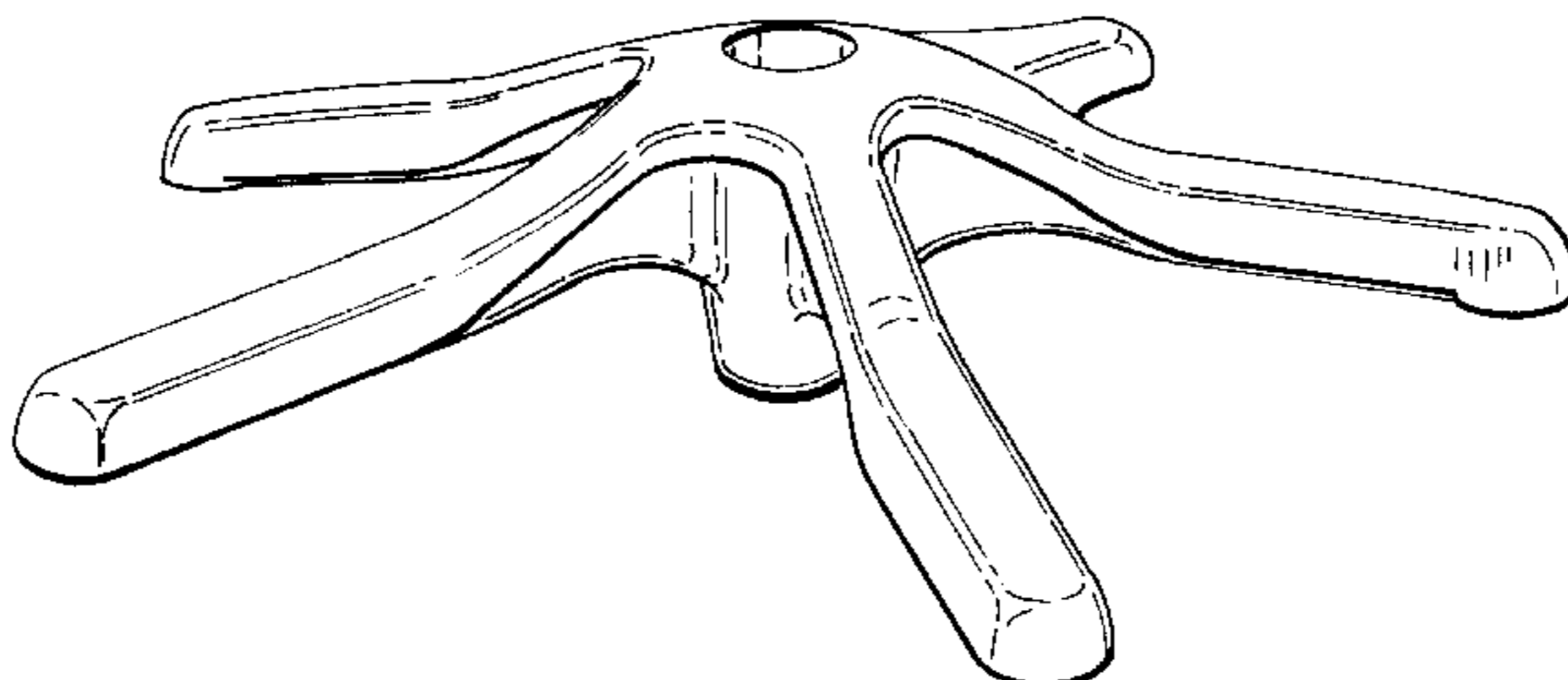


FIG. 1.

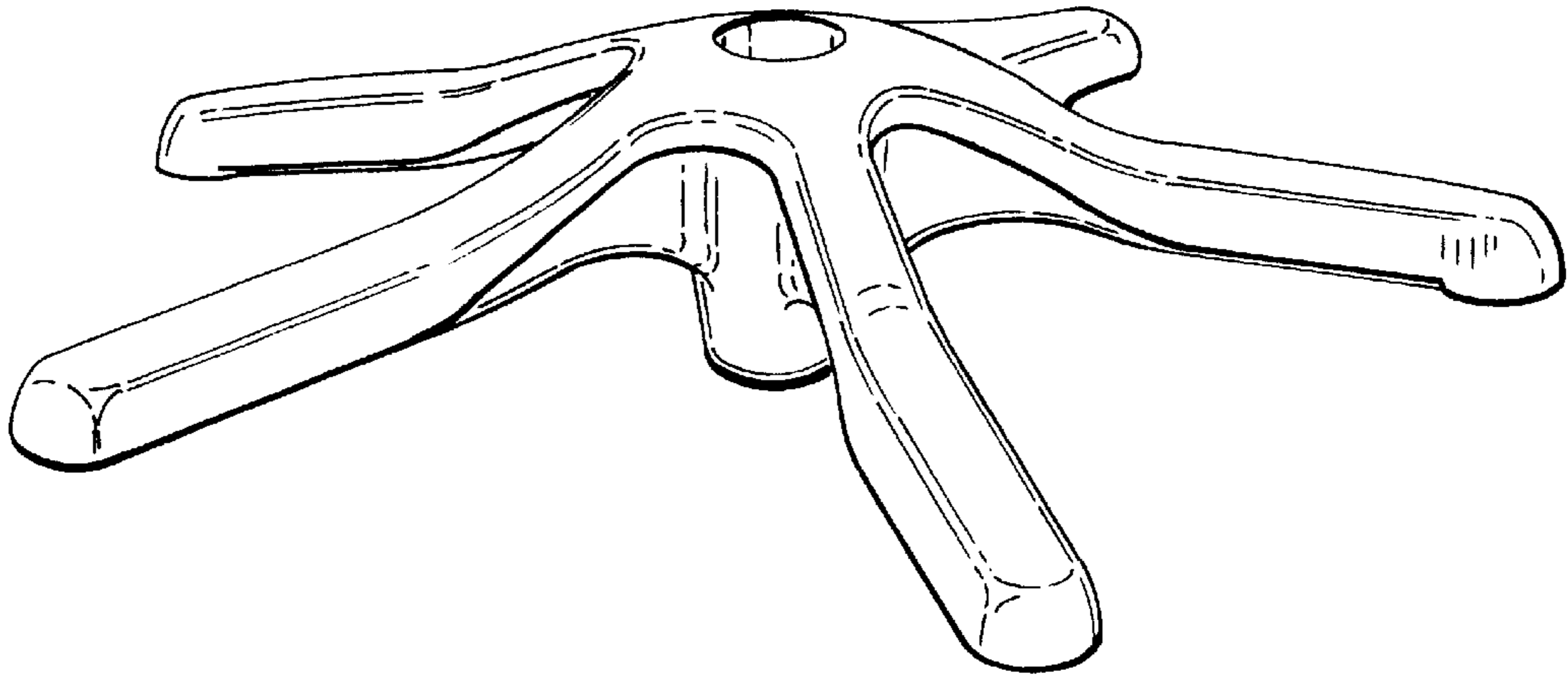


FIG. 2.

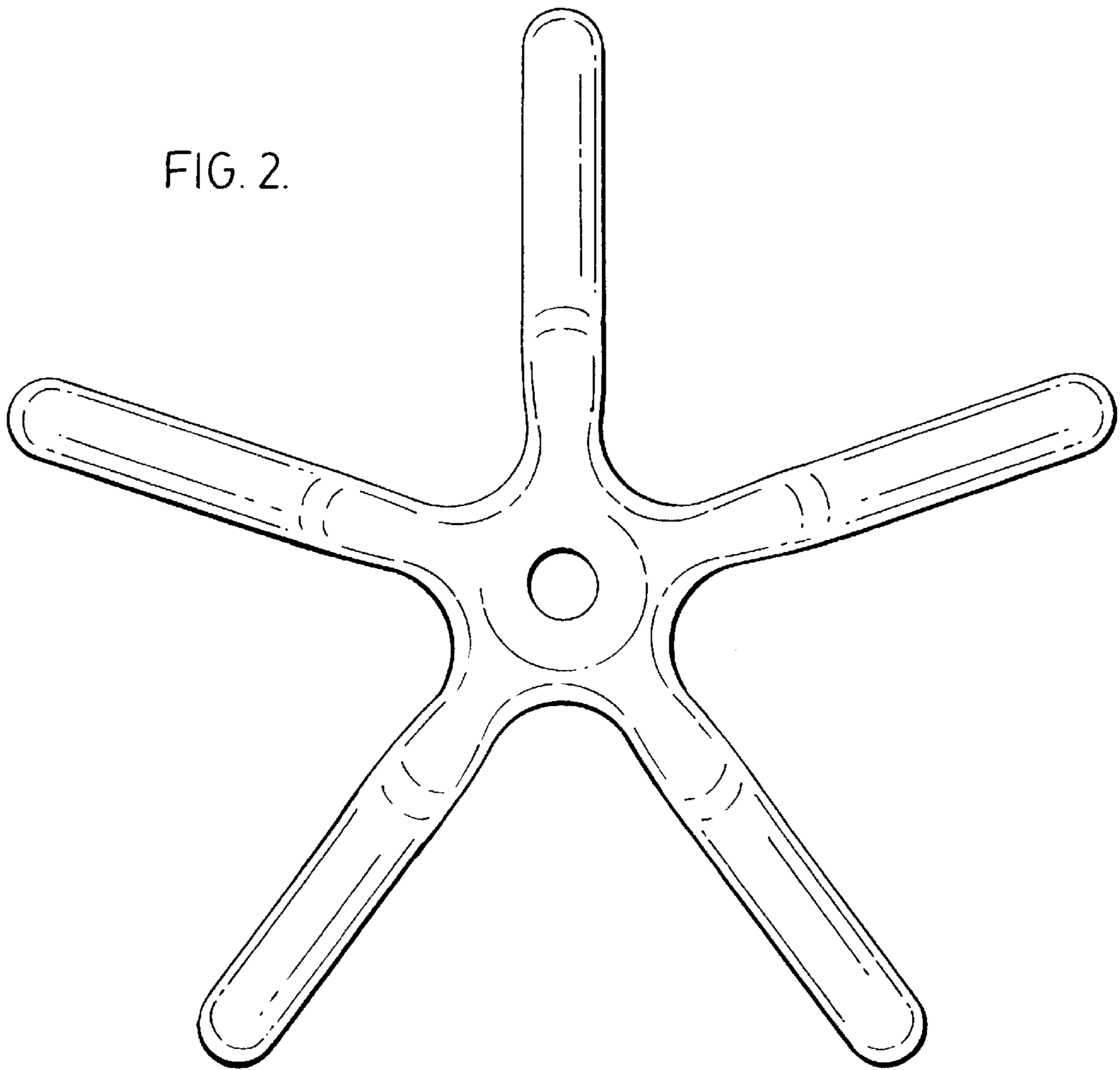


FIG. 3.

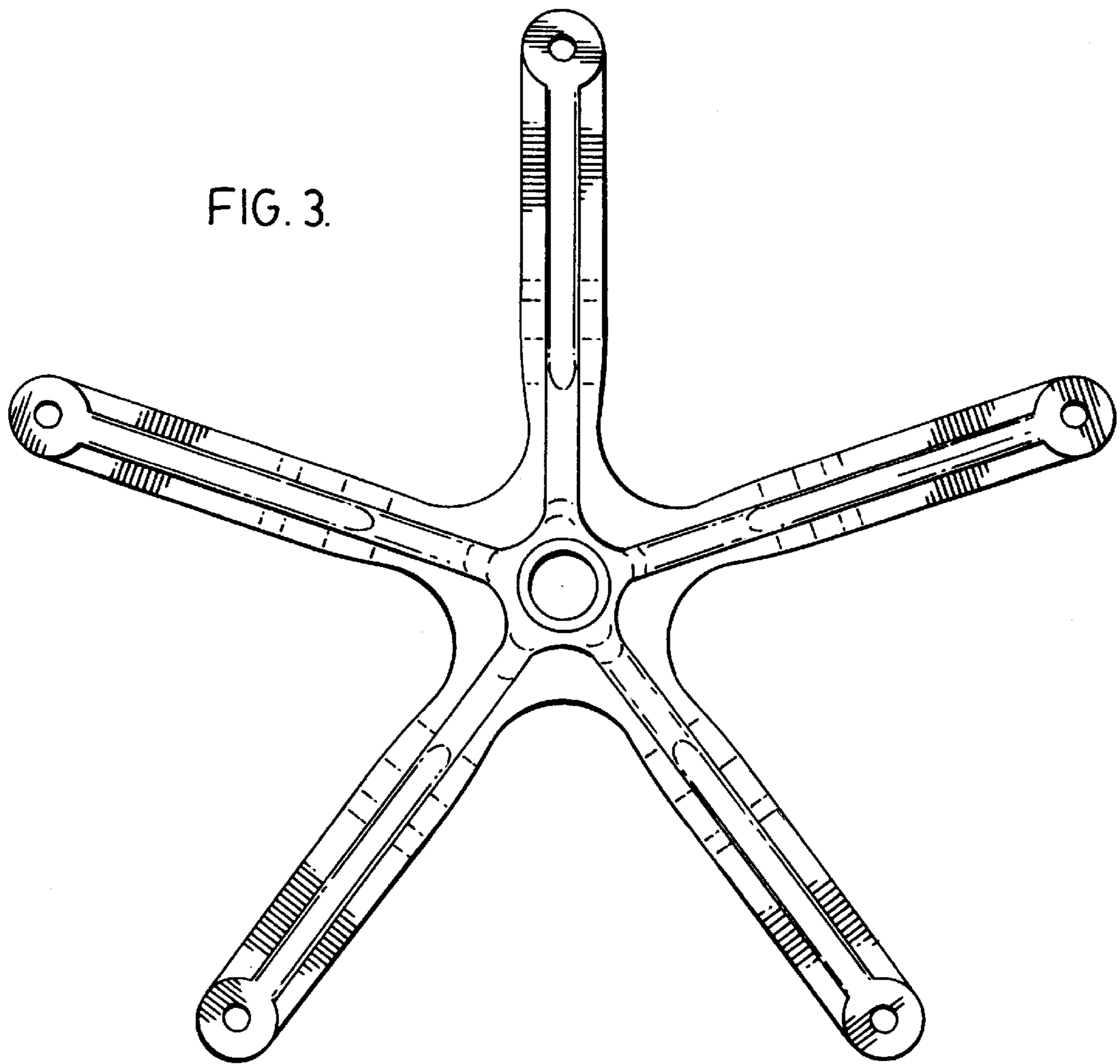


FIG. 4.

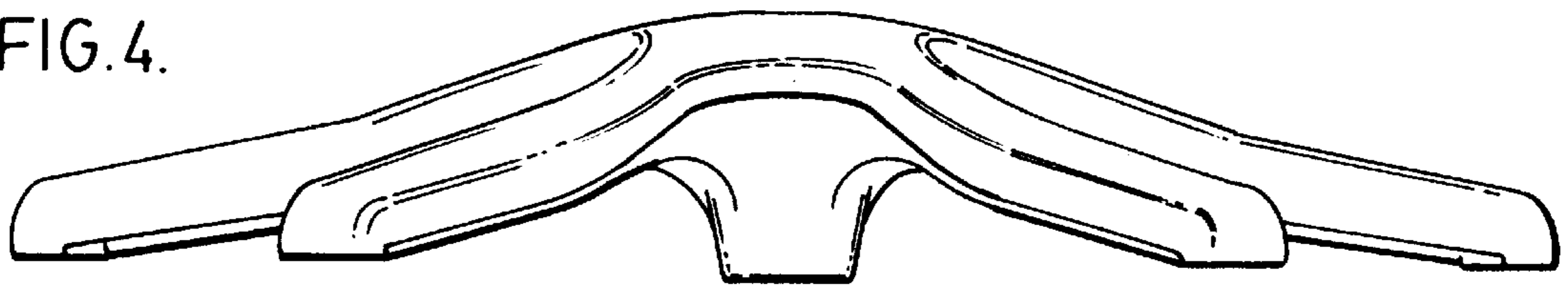


FIG. 5.

