



US00D413208S

**United States Patent** [19]  
**Lee**

[11] **Patent Number: Des. 413,208**

[45] **Date of Patent: \*\* Aug. 31, 1999**

[54] **COMBINED COOKBOOK AND RECIPE HOLDER**

[75] Inventor: **Stuart Harvey Lee**, New York, N.Y.

[73] Assignee: **M. Kamenstein, Inc.**, Elmsford, N.Y.

[\*\*] Term: **14 Years**

[21] Appl. No.: **29/089,251**

[22] Filed: **Jun. 11, 1998**

[51] **LOC (6) Cl.** ..... **06-04**

[52] **U.S. Cl.** ..... **D6/397; D6/430; D6/419**

[58] **Field of Search** ..... **D6/397, 432-448, D6/429-430, 419; 312/237, 204; 211/42, 43**

[56] **References Cited**

**U.S. PATENT DOCUMENTS**

D. 51,489	11/1917	Von Carlsberb	.....	D6/419
D. 236,782	9/1975	Sklaroff	.....	D6/446
D. 285,392	9/1986	Thompson	.....	D6/419 X
D. 287,676	1/1987	Christen	.....	D6/446
D. 365,224	12/1995	Pohlman	.....	D6/445
D. 405,977	2/1999	Prevost	.....	D6/397
4,577,788	3/1986	Richardson	.....	D6/419 X

*Primary Examiner*—Carmen H. Vales-Lado

*Attorney, Agent, or Firm*—Robert A. Koons, Jr.; James W. Bolcsak

[57] **CLAIM**

The ornamental design for a combined cookbook and recipe holder, as shown and described.

**DESCRIPTION**

FIG. 1 is a perspective view of a combined cookbook and recipe holder showing my new design;

FIG. 2 is a perspective view in a different position of use;

FIG. 3 is a front elevational view of FIG. 1;

FIG. 4 is a front elevational view of FIG. 2;

FIG. 5 is a rear elevational view of FIG. 1;

FIG. 6 is a top plan view of FIG. 1;

FIG. 7 is a top plan view of FIG. 2;

FIG. 8 is a right side elevational view of FIGS. 1 and 2;

FIG. 9 is a left side elevational view of FIGS. 1 and 2;

FIG. 10 is a bottom plan view of FIG. 1;

FIG. 11 is a perspective view of a second embodiment of the combined cookbook and recipe holder shown in FIG. 1;

FIG. 12 is a perspective view in a different position of use;

FIG. 13 is a front elevational view of FIG. 12;

FIG. 14 is a front elevational view of FIG. 11;

FIG. 15 is a top plan view of FIG. 12;

FIG. 16 is a top plan view of FIG. 11;

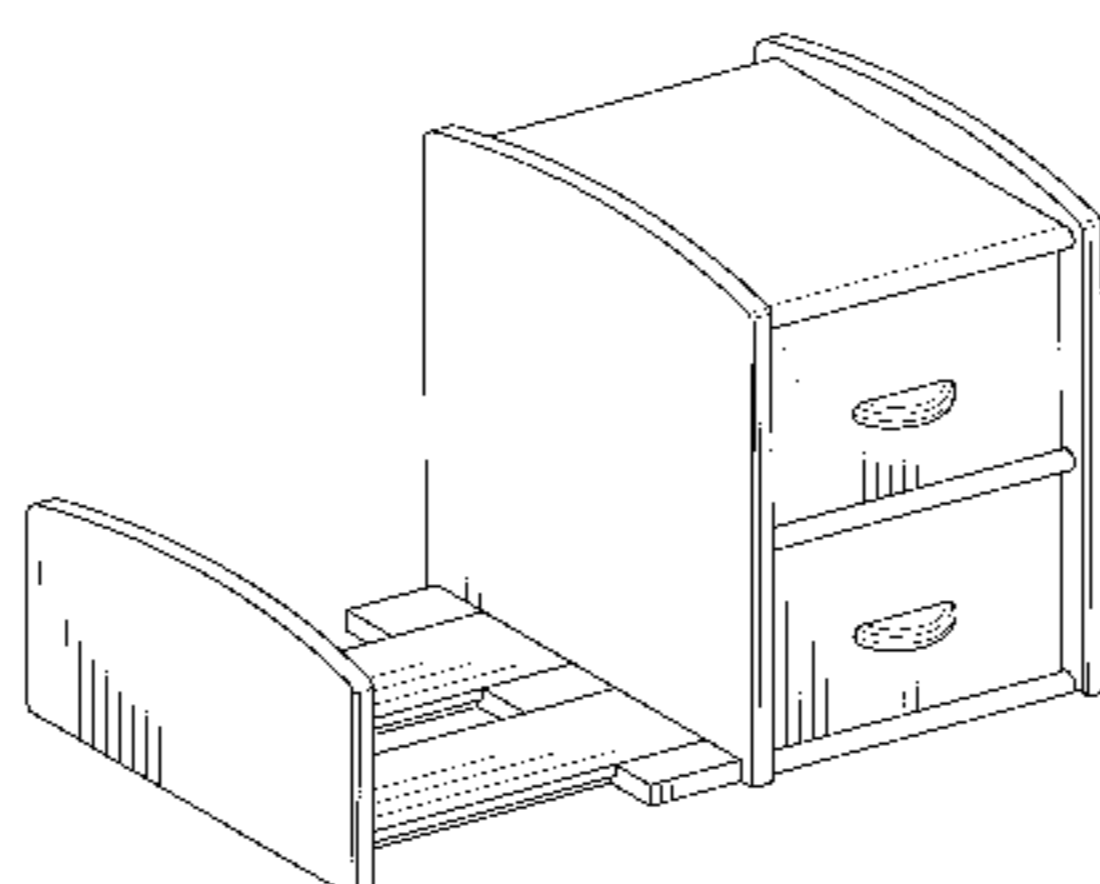
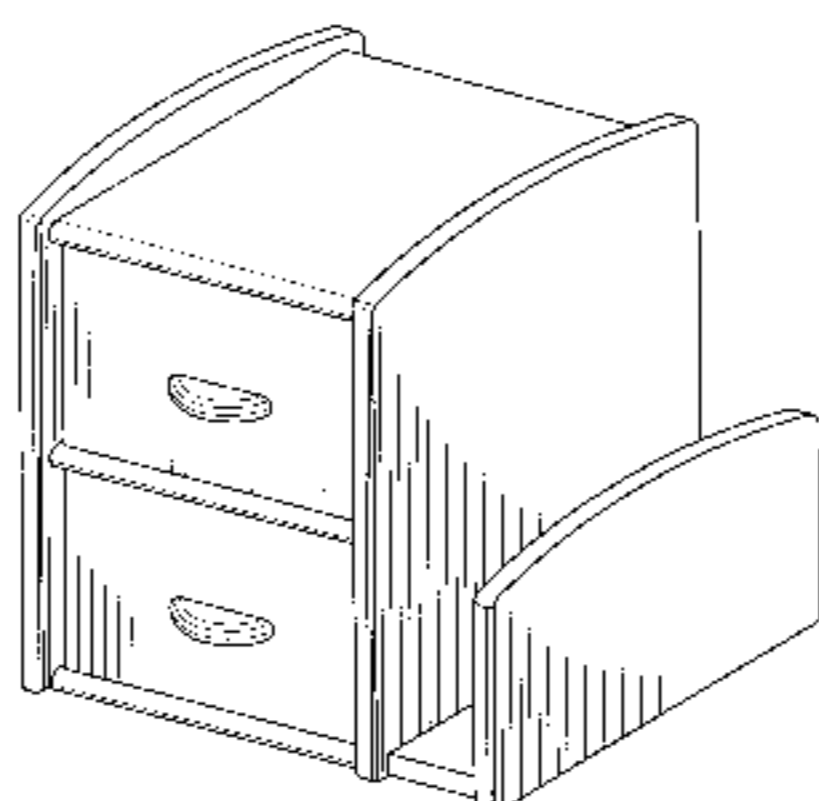
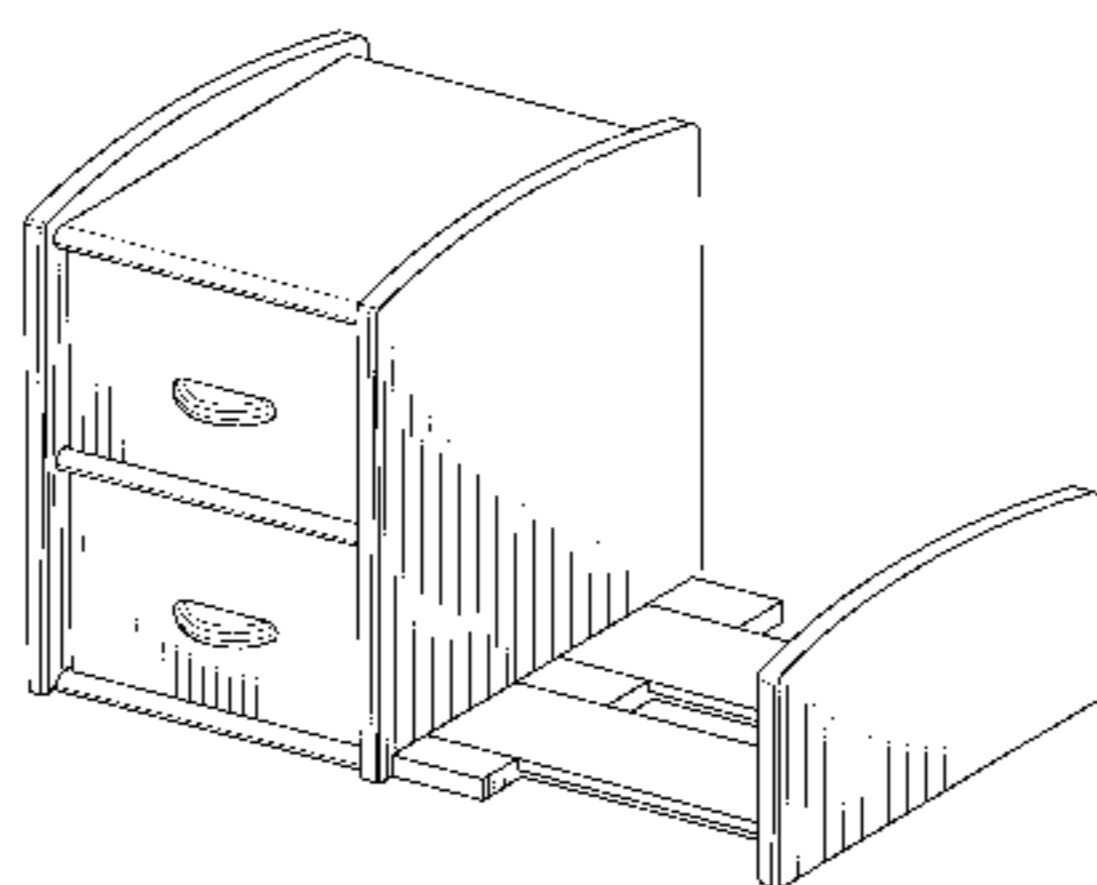
FIG. 17 is a left side elevational view of FIGS. 11 and 12; and,

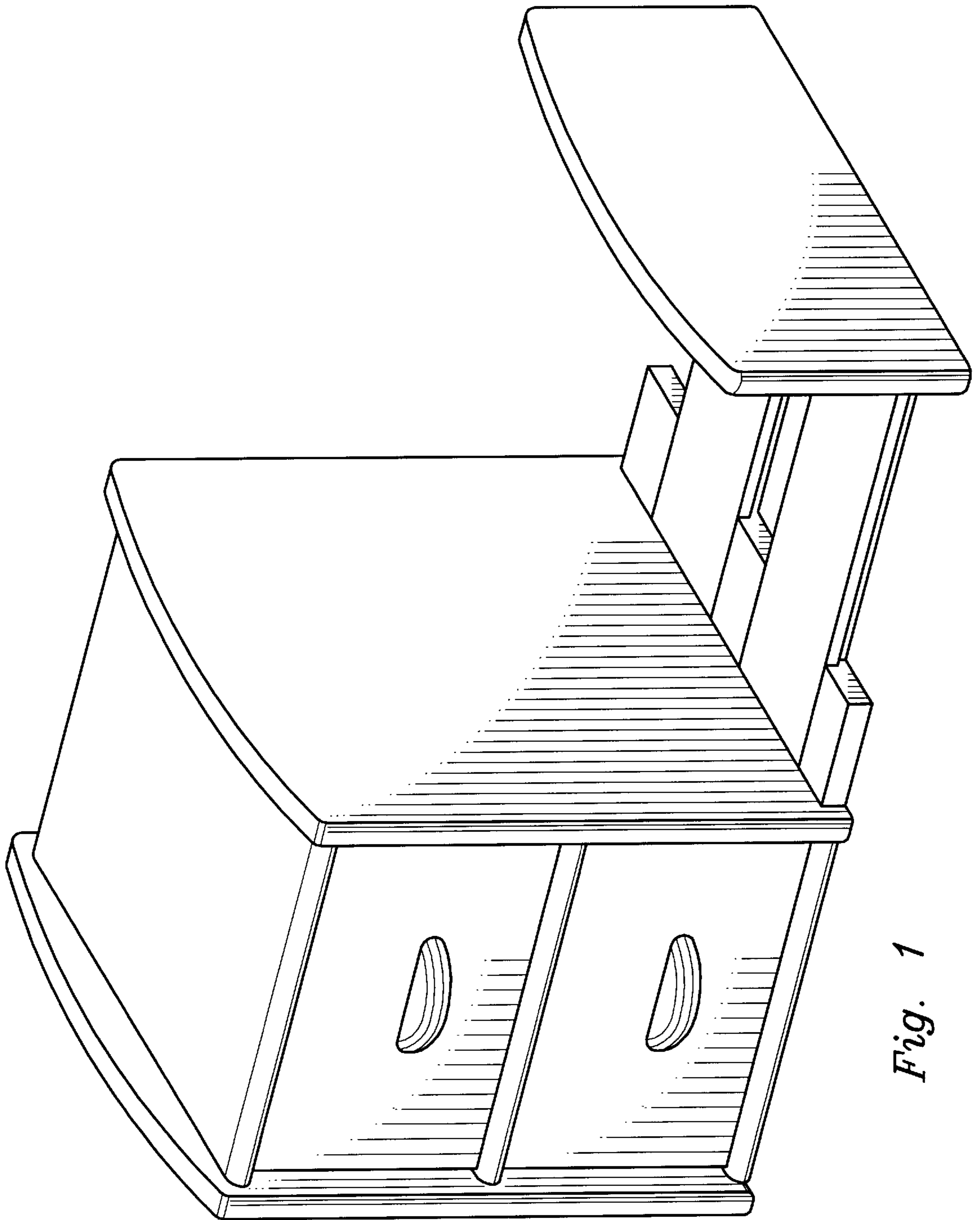
FIG. 18 is a right side elevational view of FIGS. 11 and 12; and,

FIG. 19 is a bottom plan view of FIG. 11.

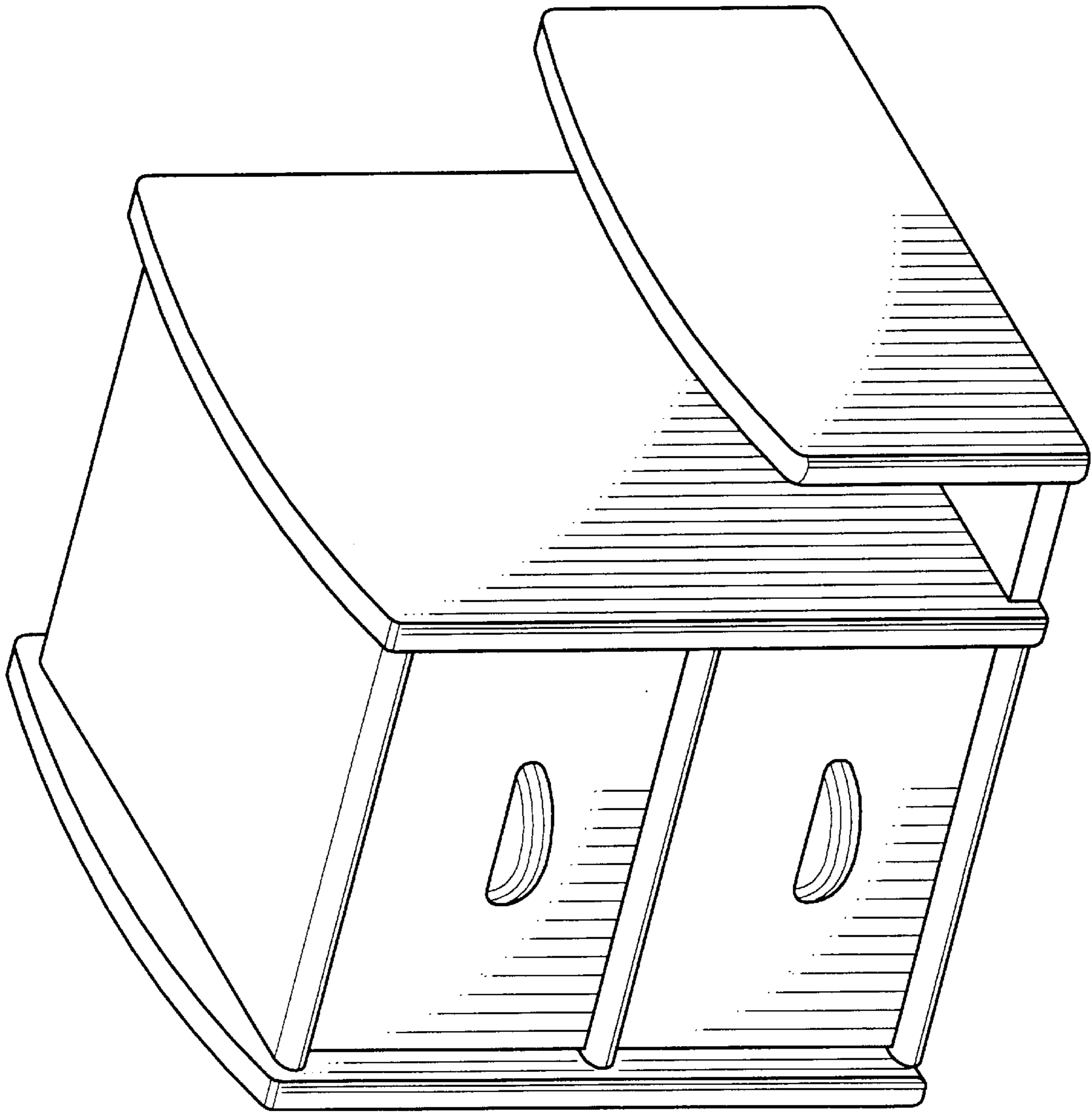
The bottom plan view of FIGS. 2 and 12 not shown form no part of the claimed design.

**1 Claim, 19 Drawing Sheets**

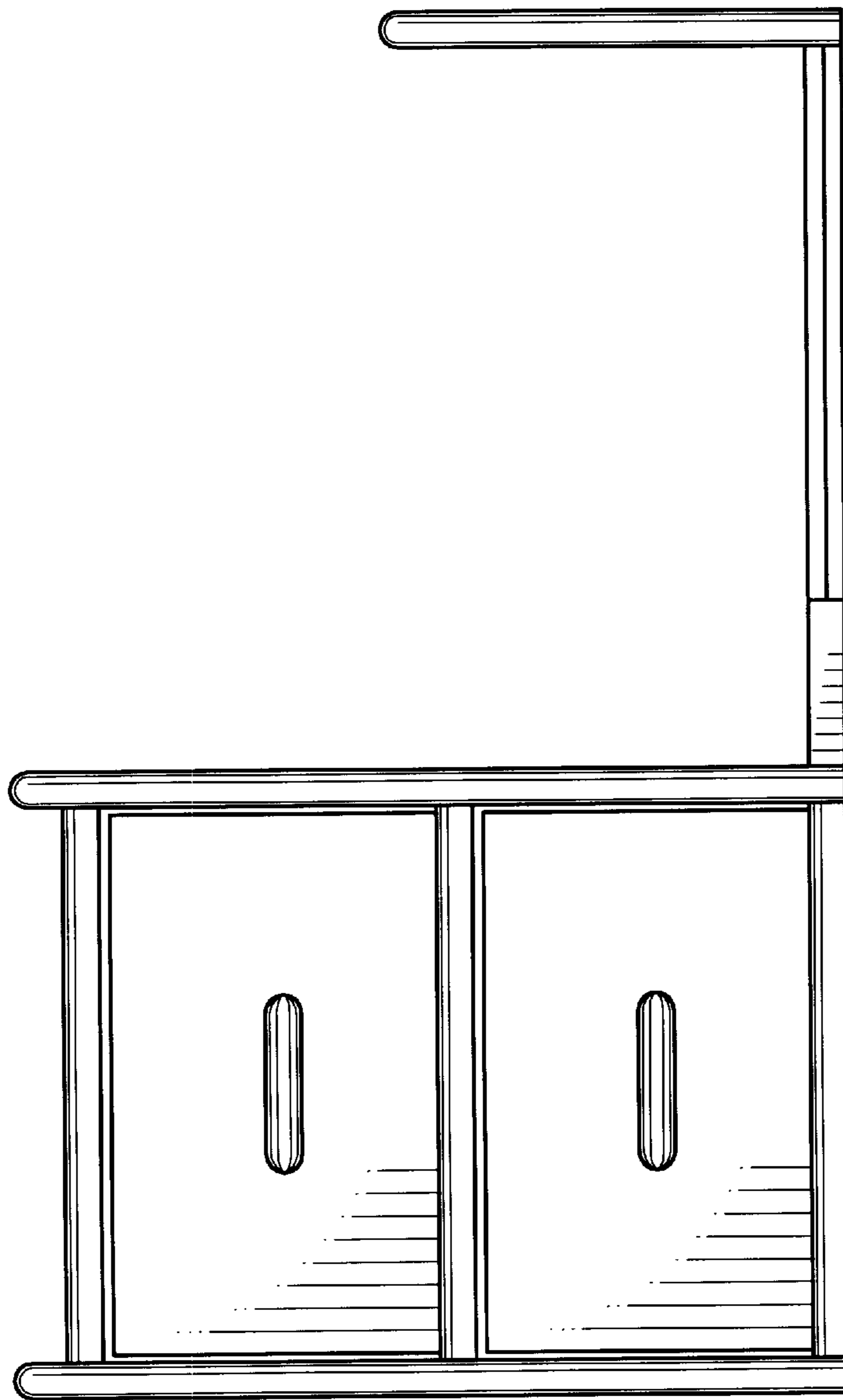




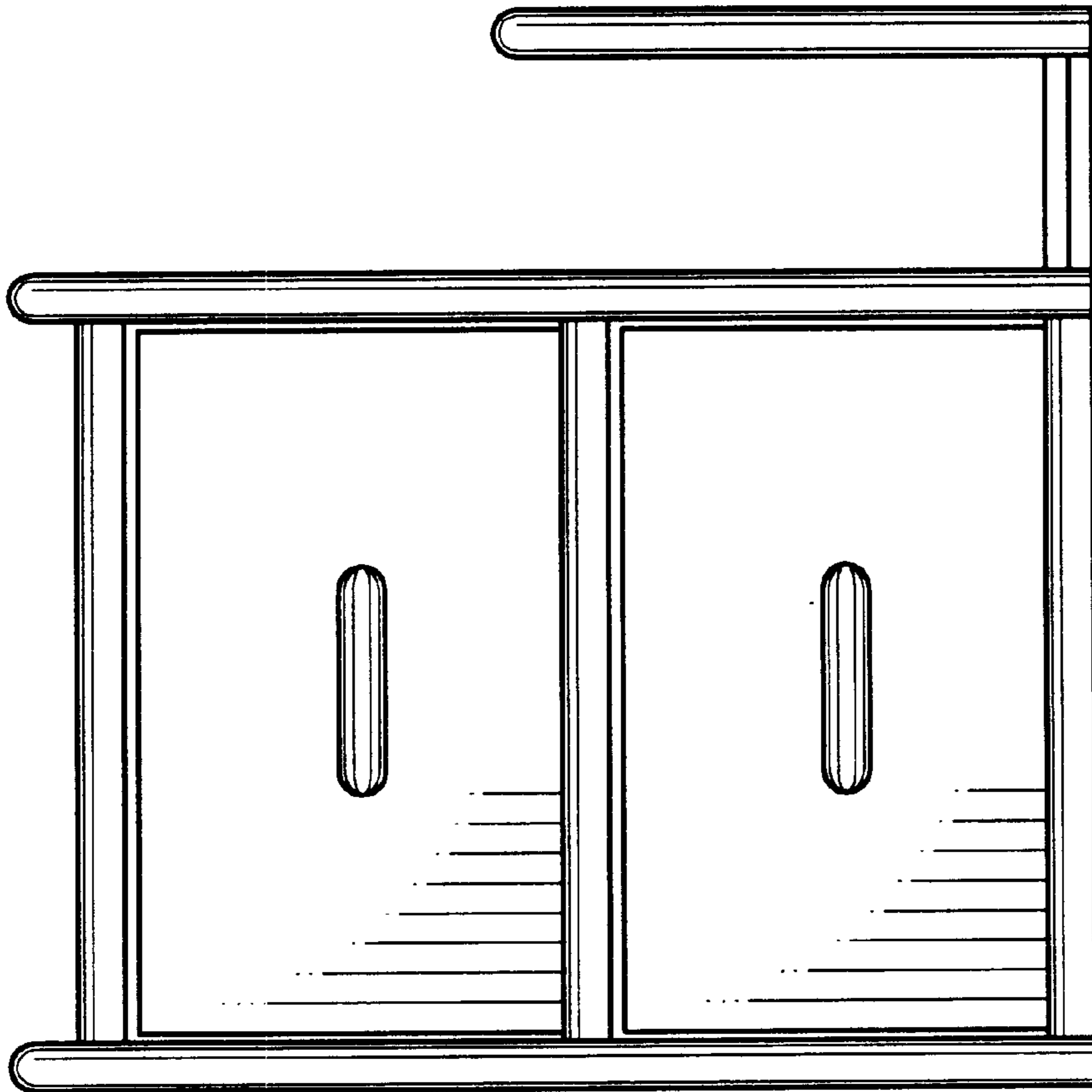
*Fig. 1*



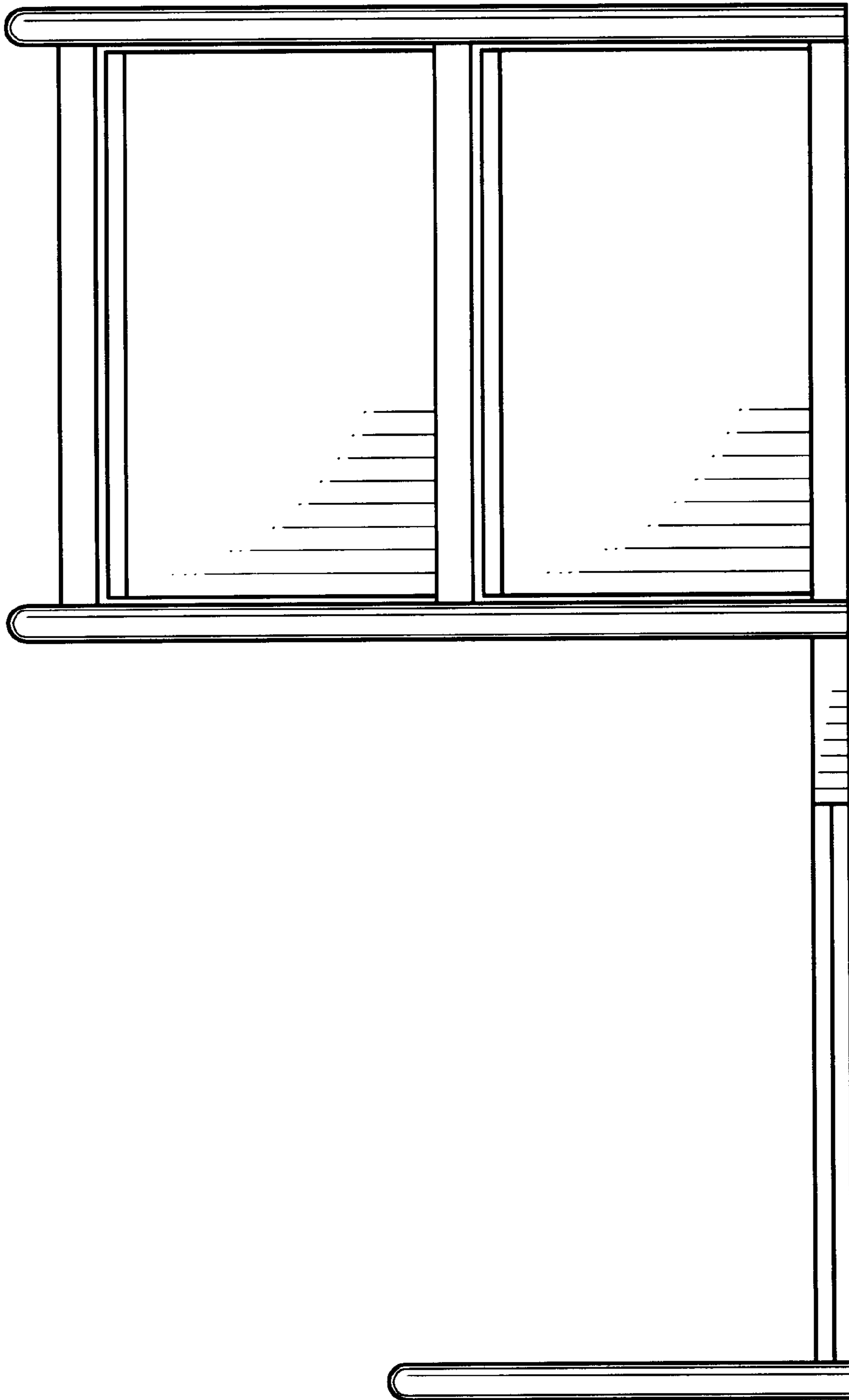
*Fig. 2*



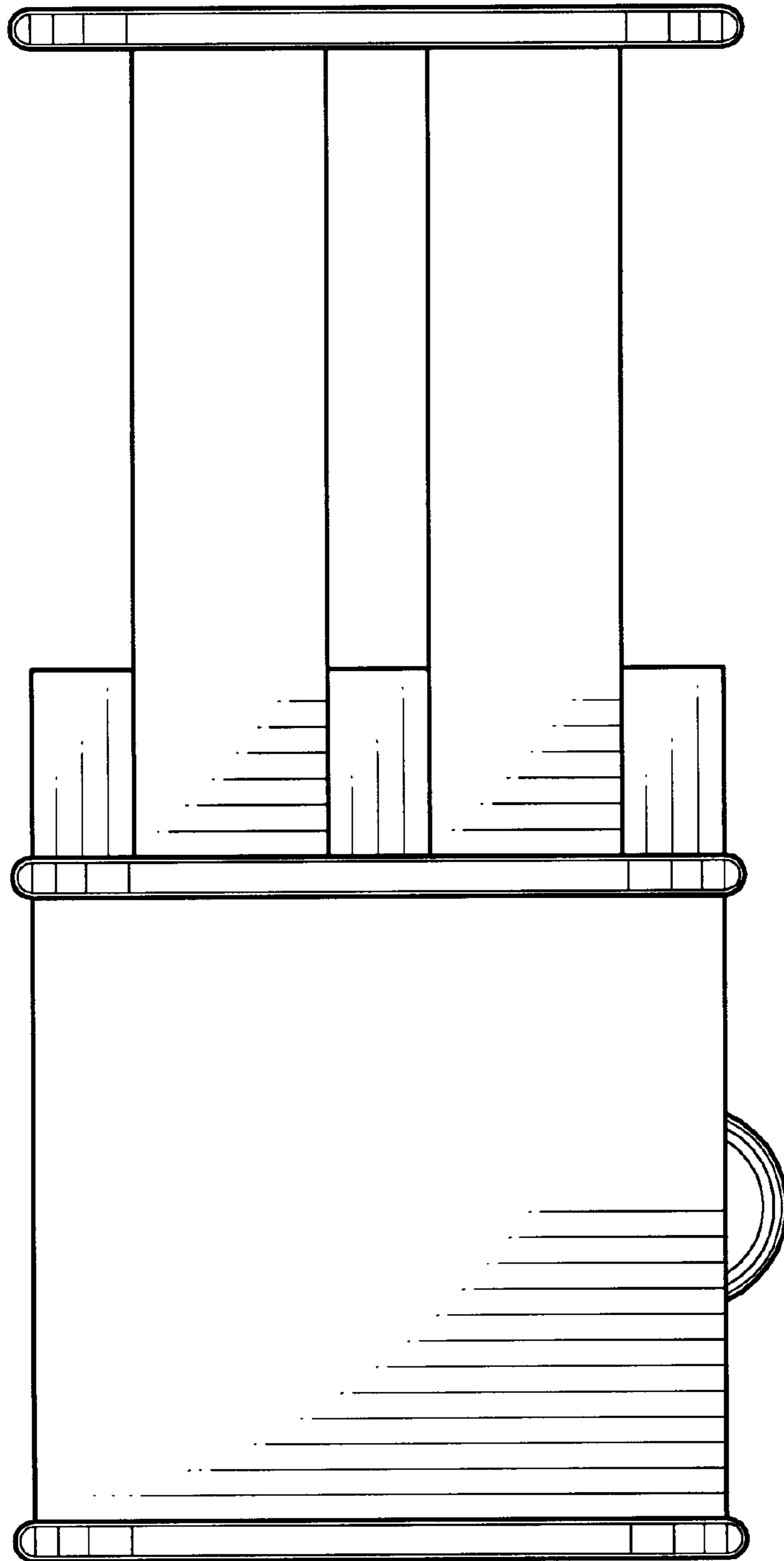
*Fig. 3*



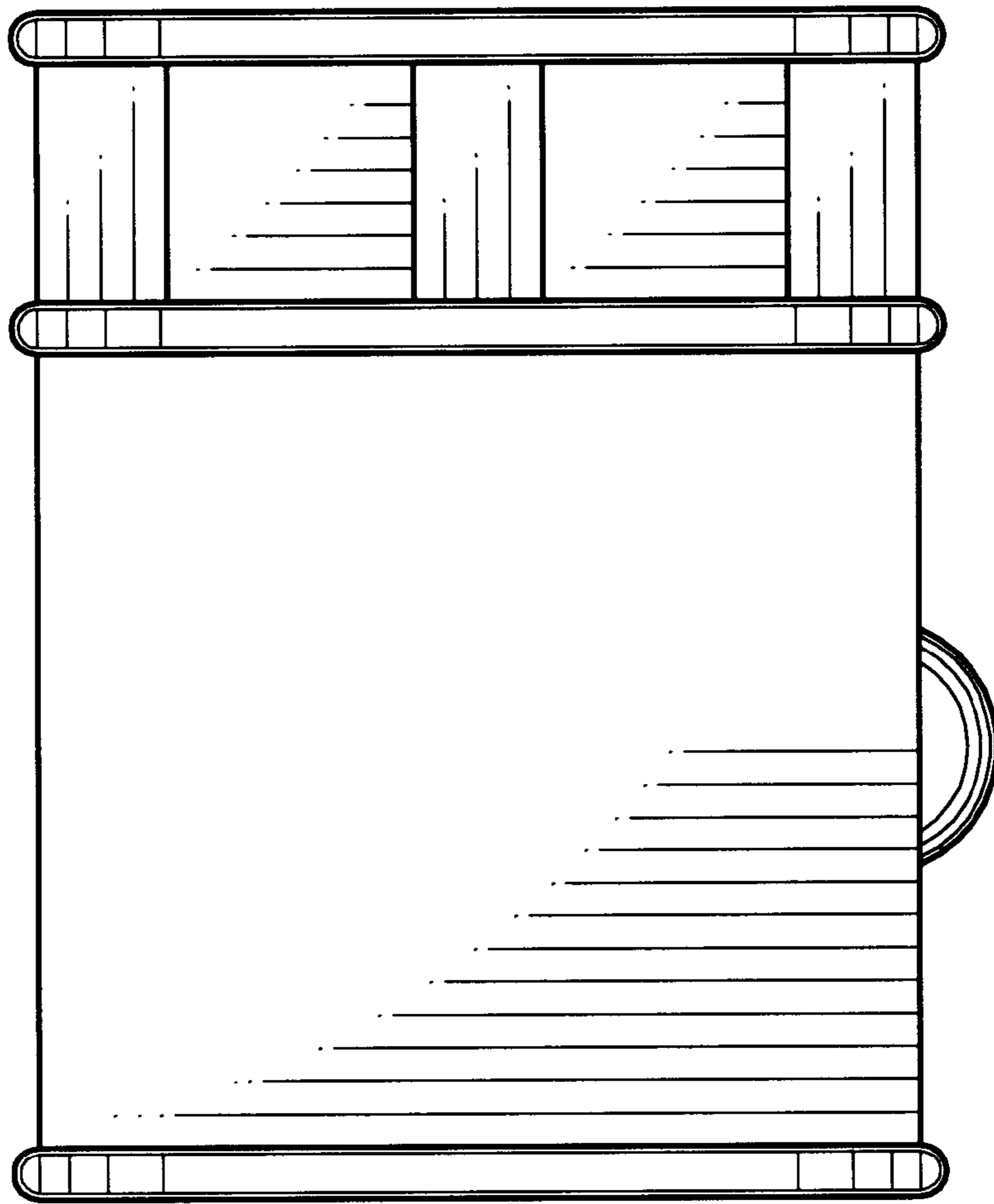
*Fig. 4*



*Fig. 5*

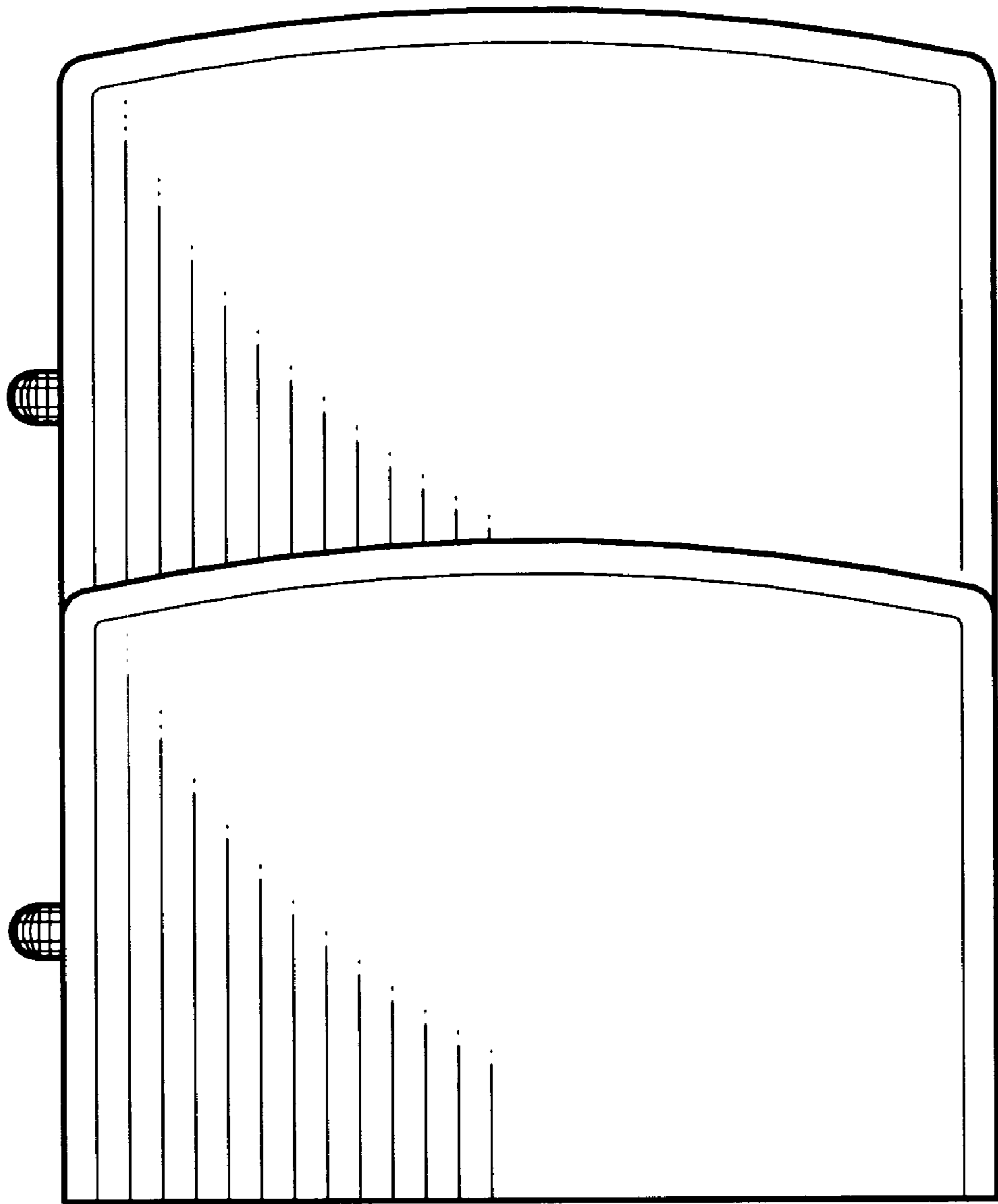


*Fig. 6*

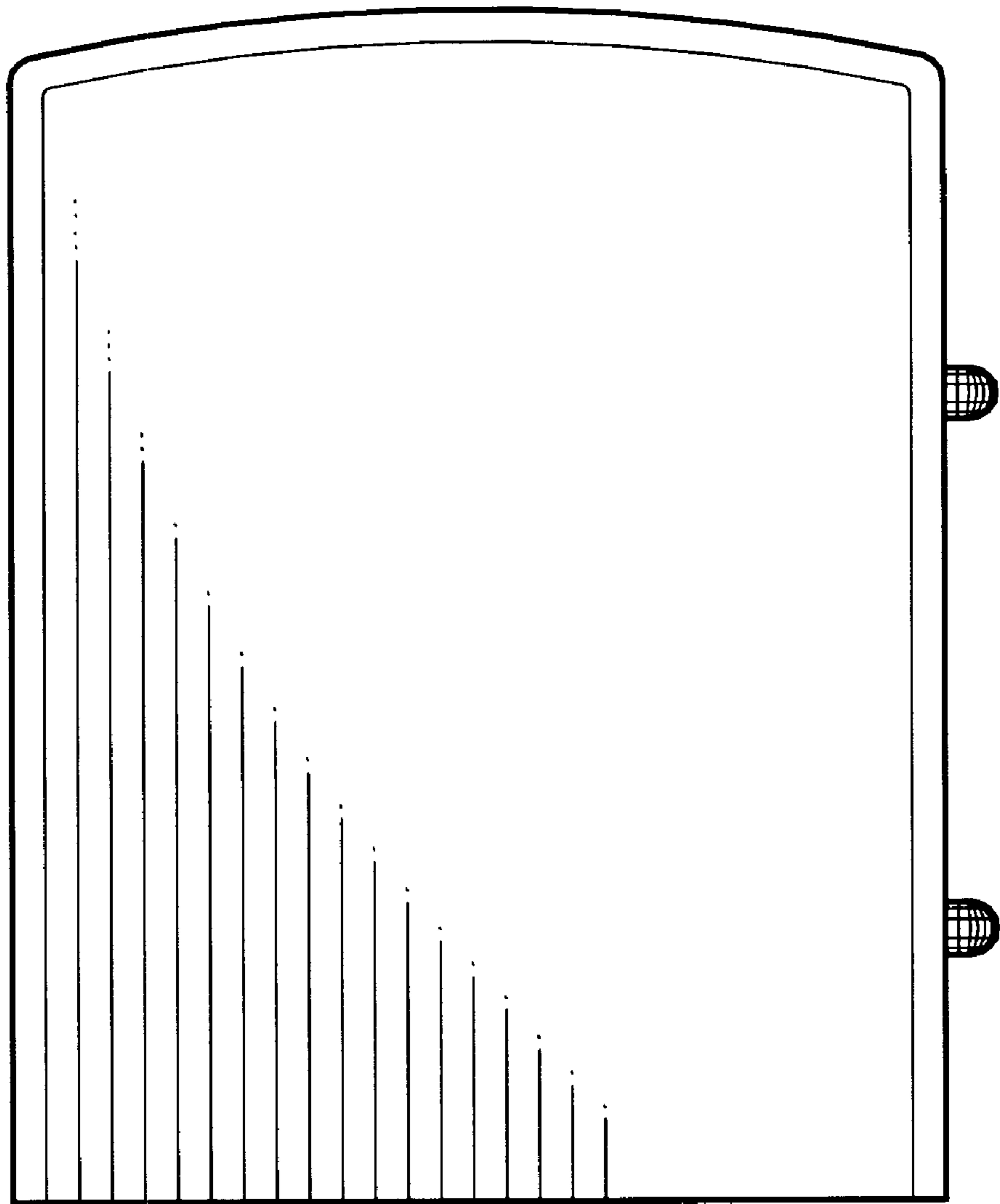


*Fig. 7*

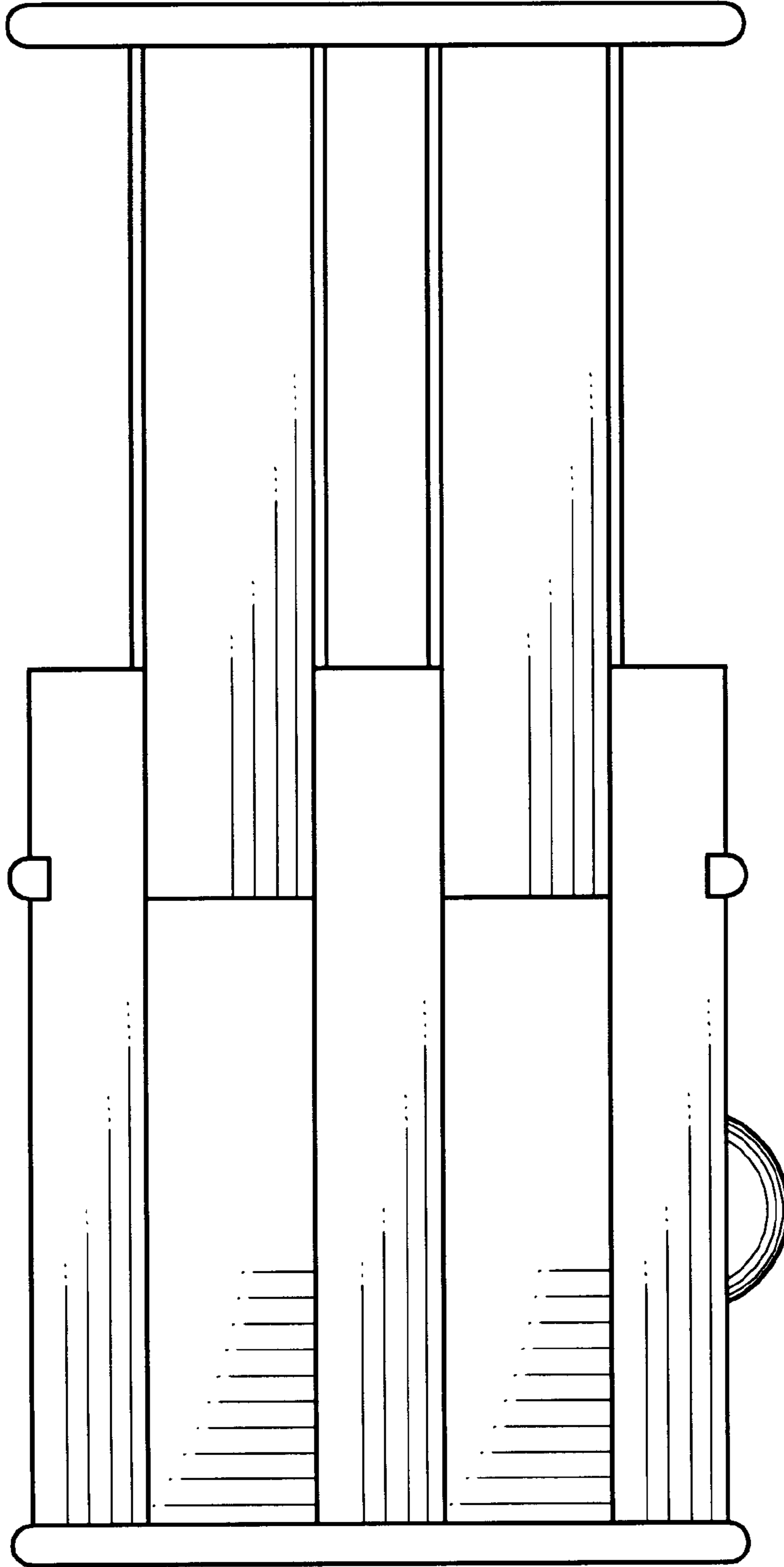




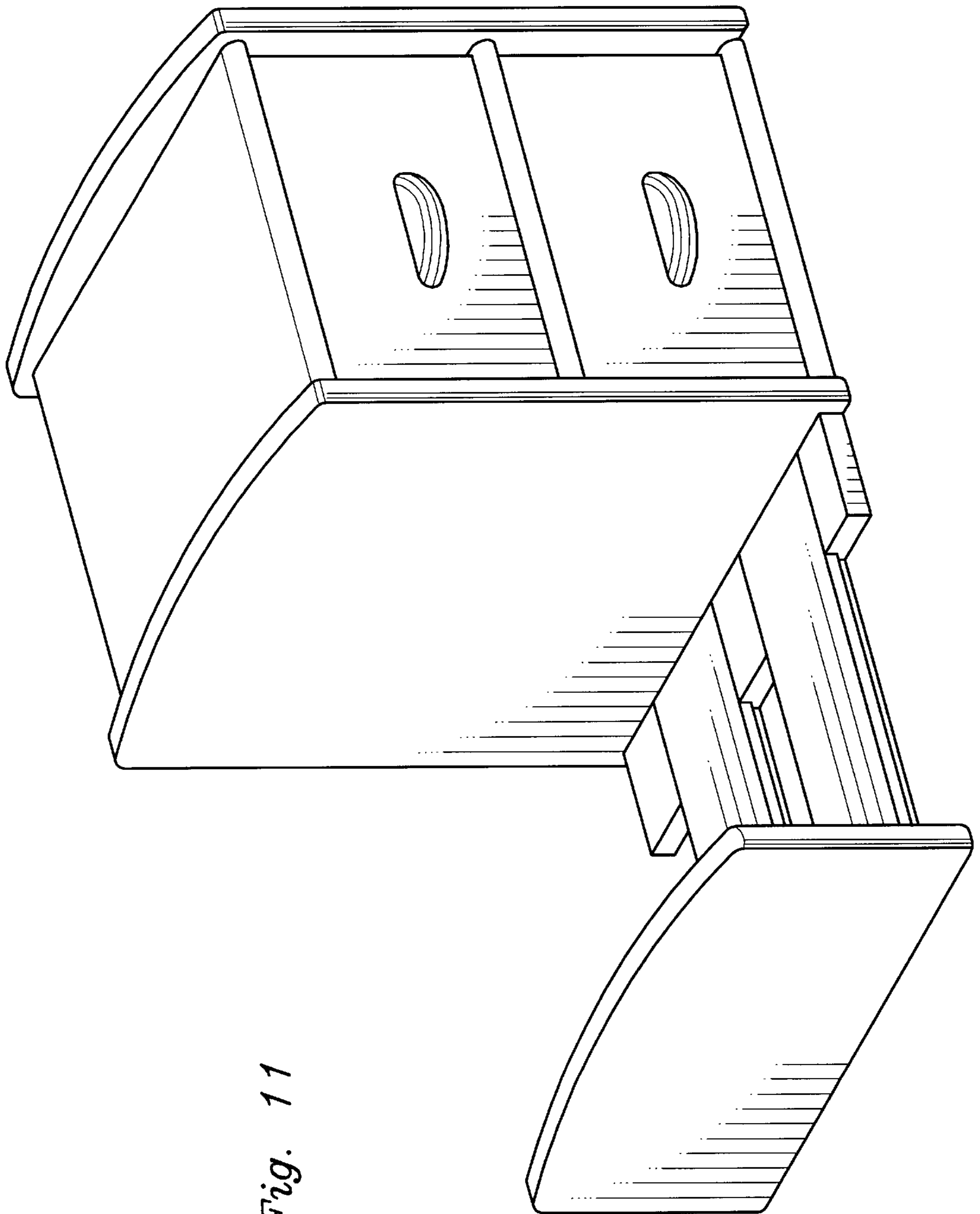
*Fig. 8*



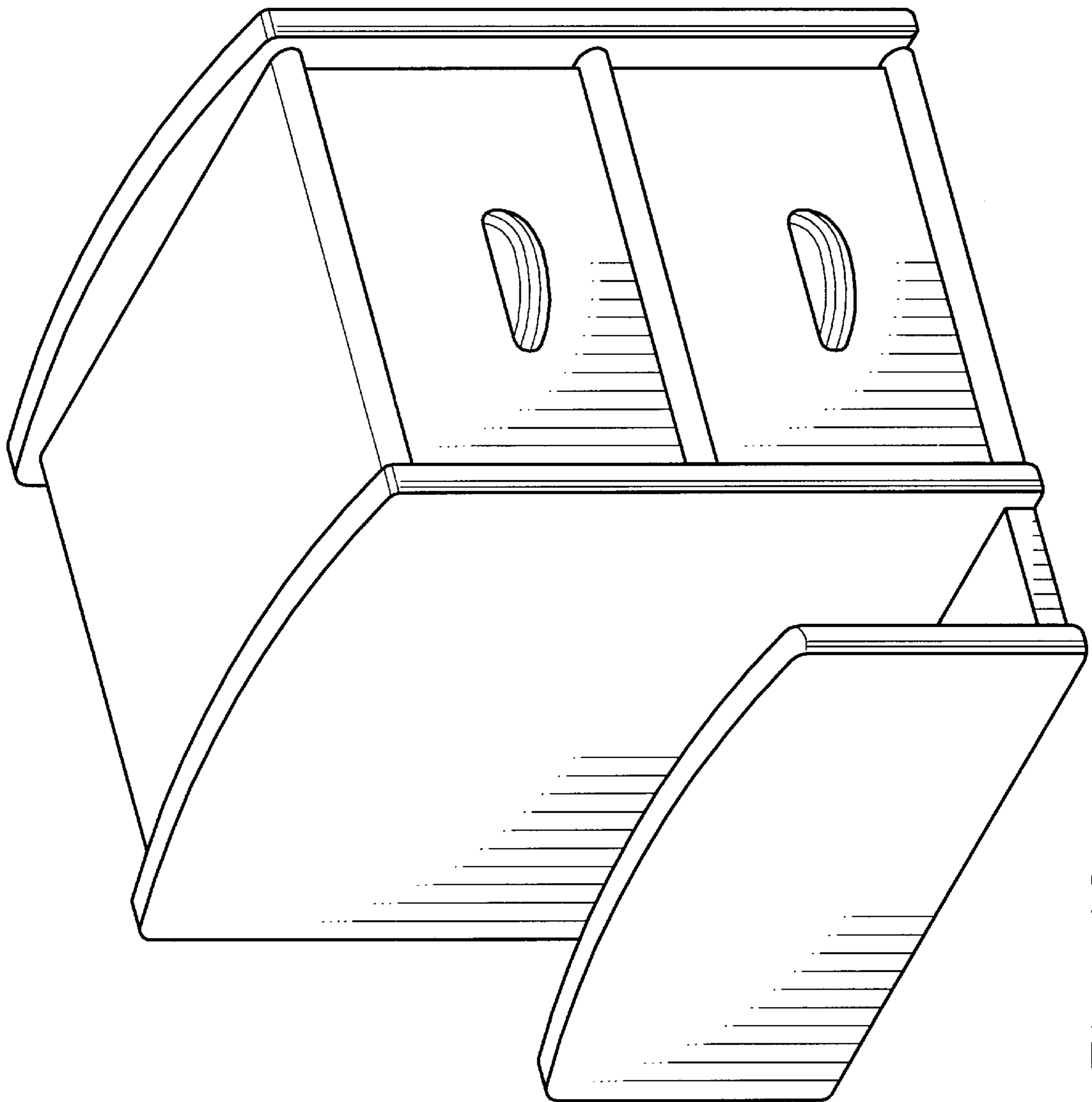
*Fig. 9*



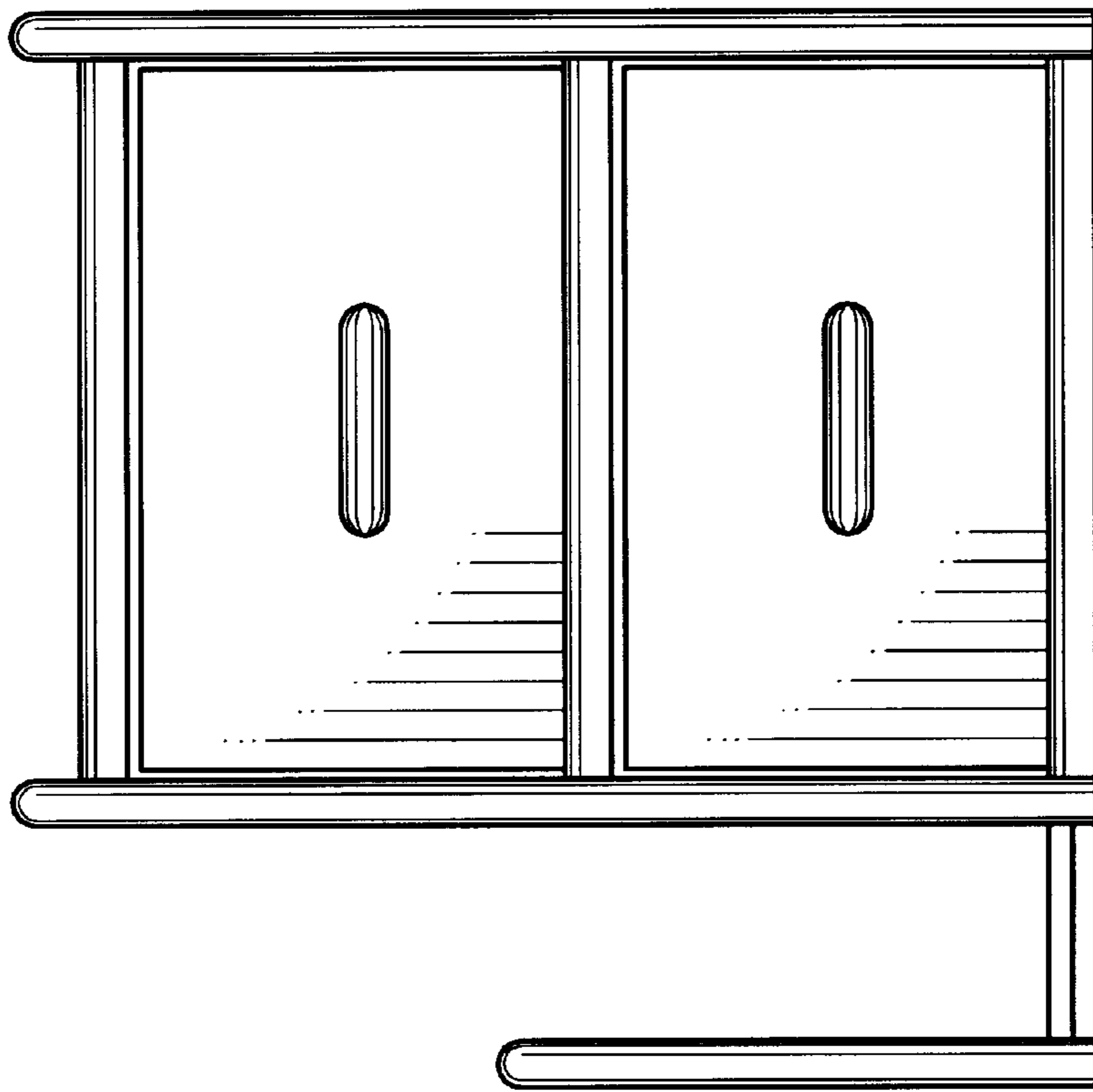
*Fig. 10*



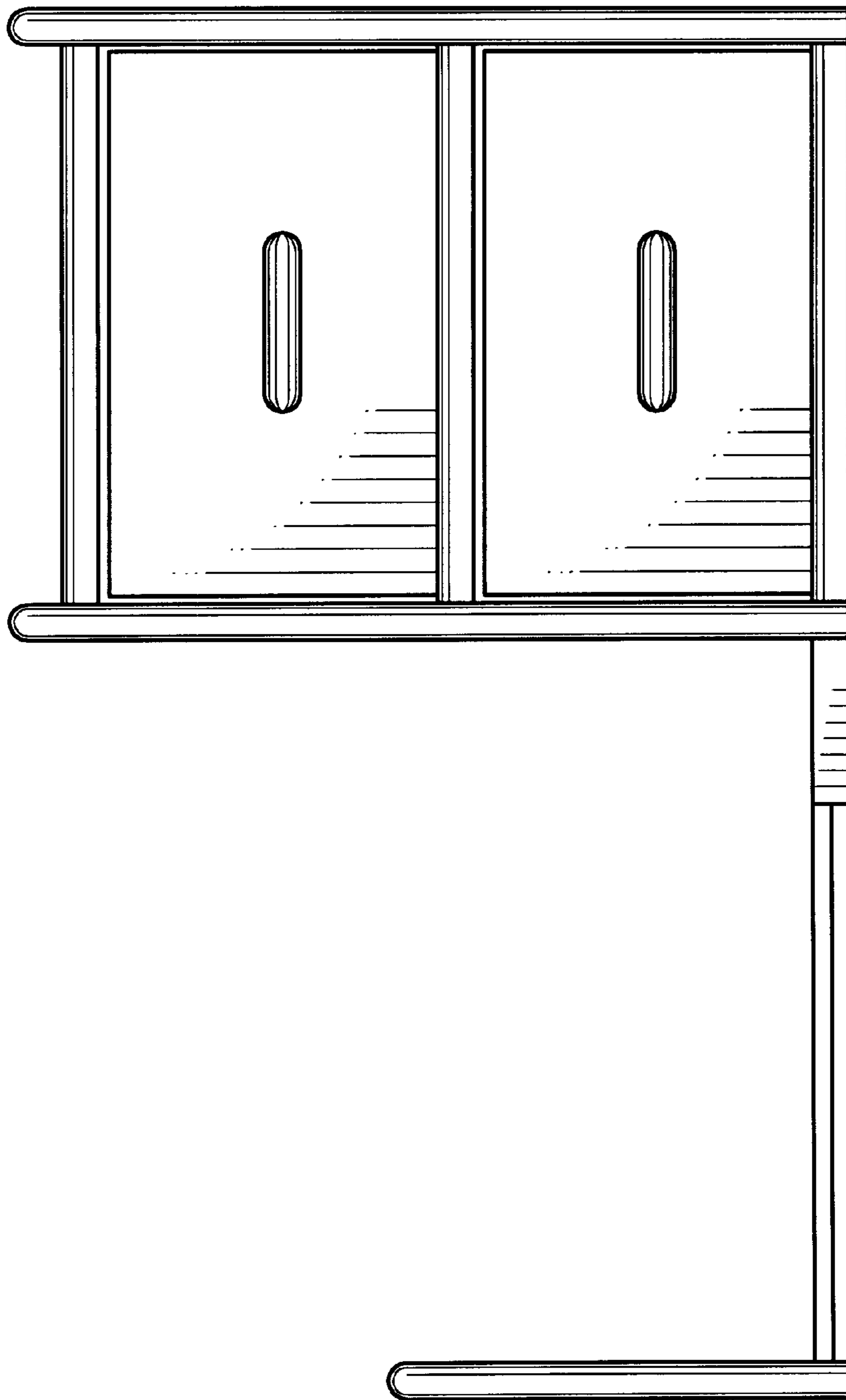
*Fig. 11*



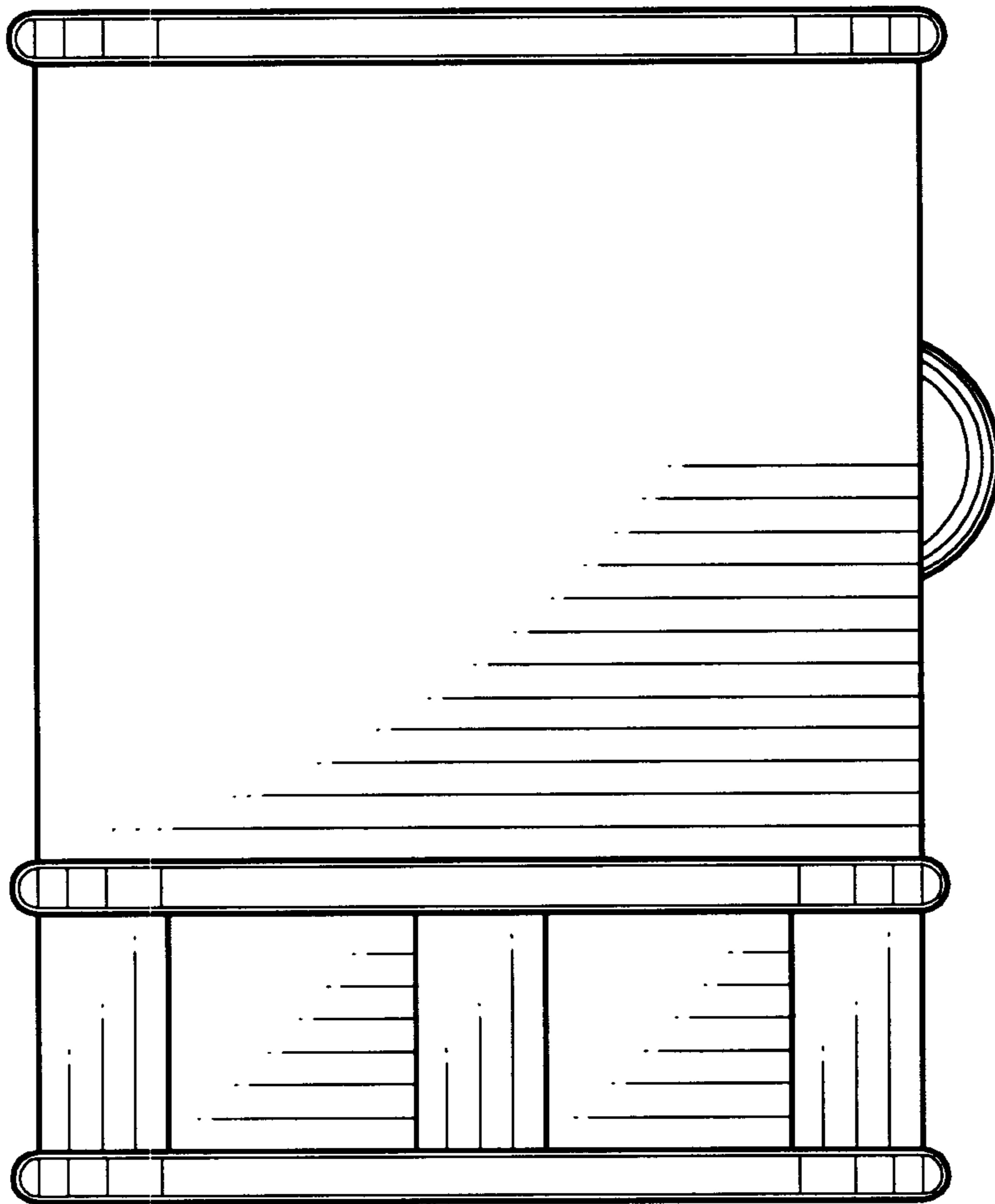
*Fig. 12*



*Fig. 13*

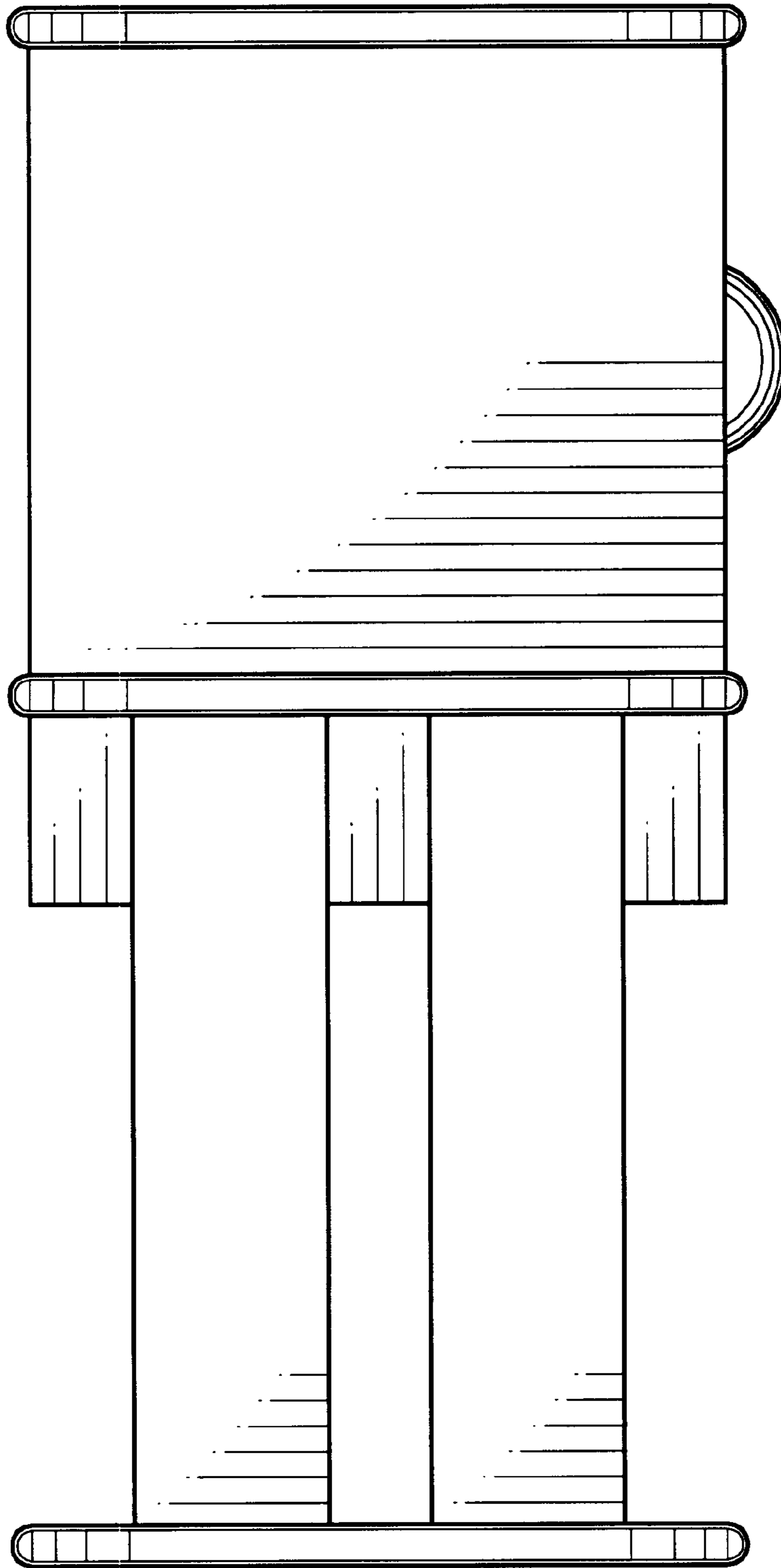


*Fig. 14*

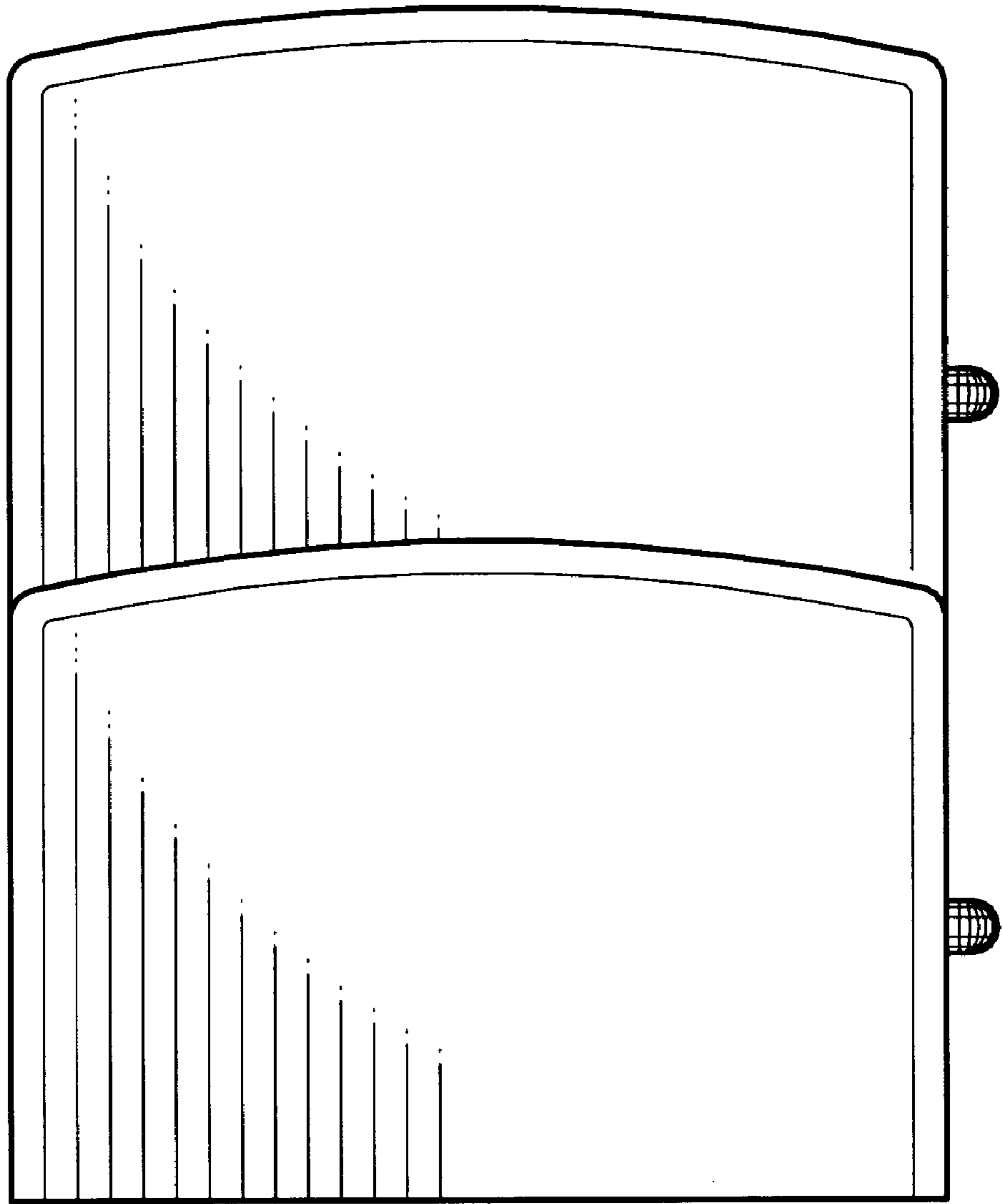


*Fig. 15*

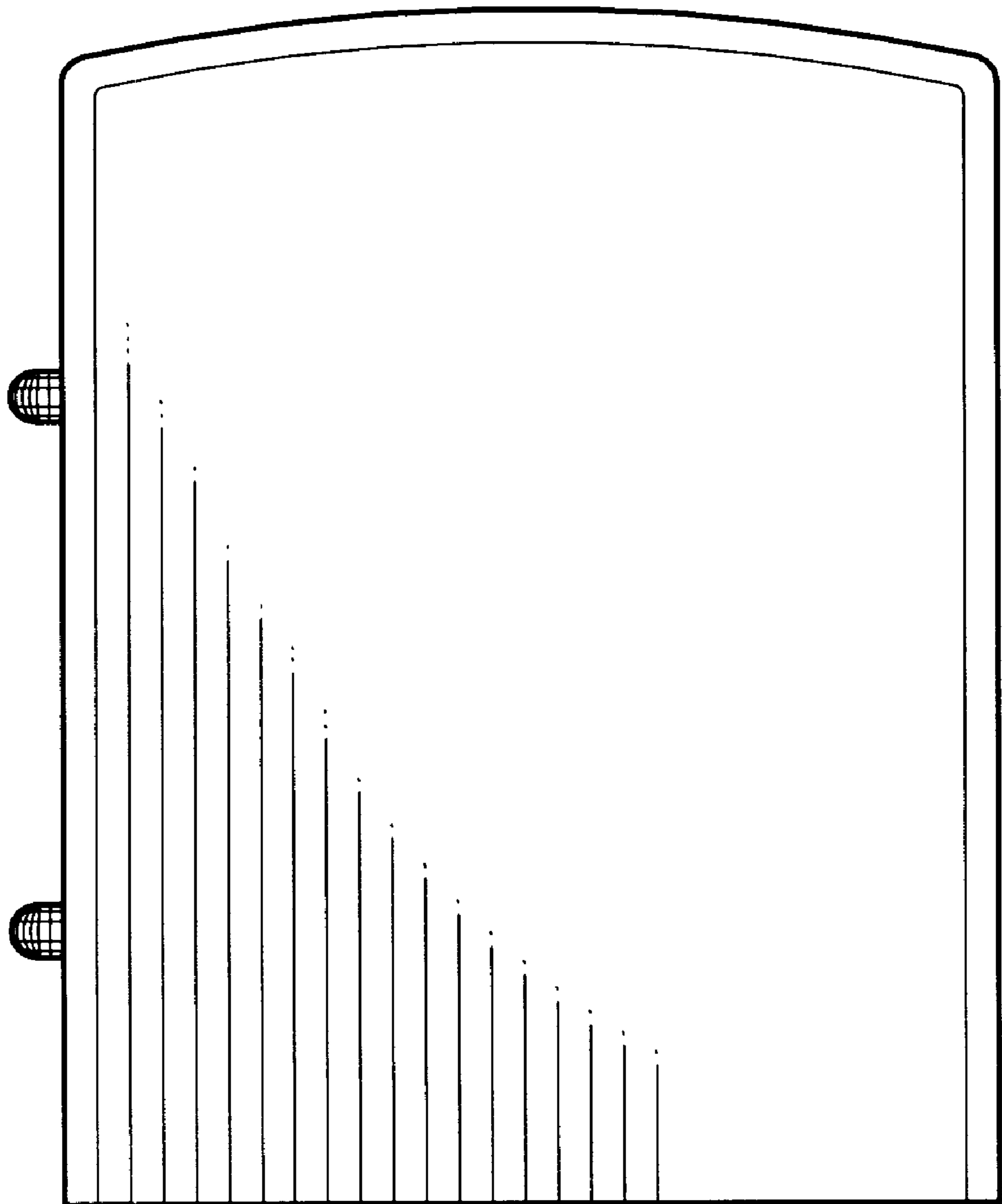




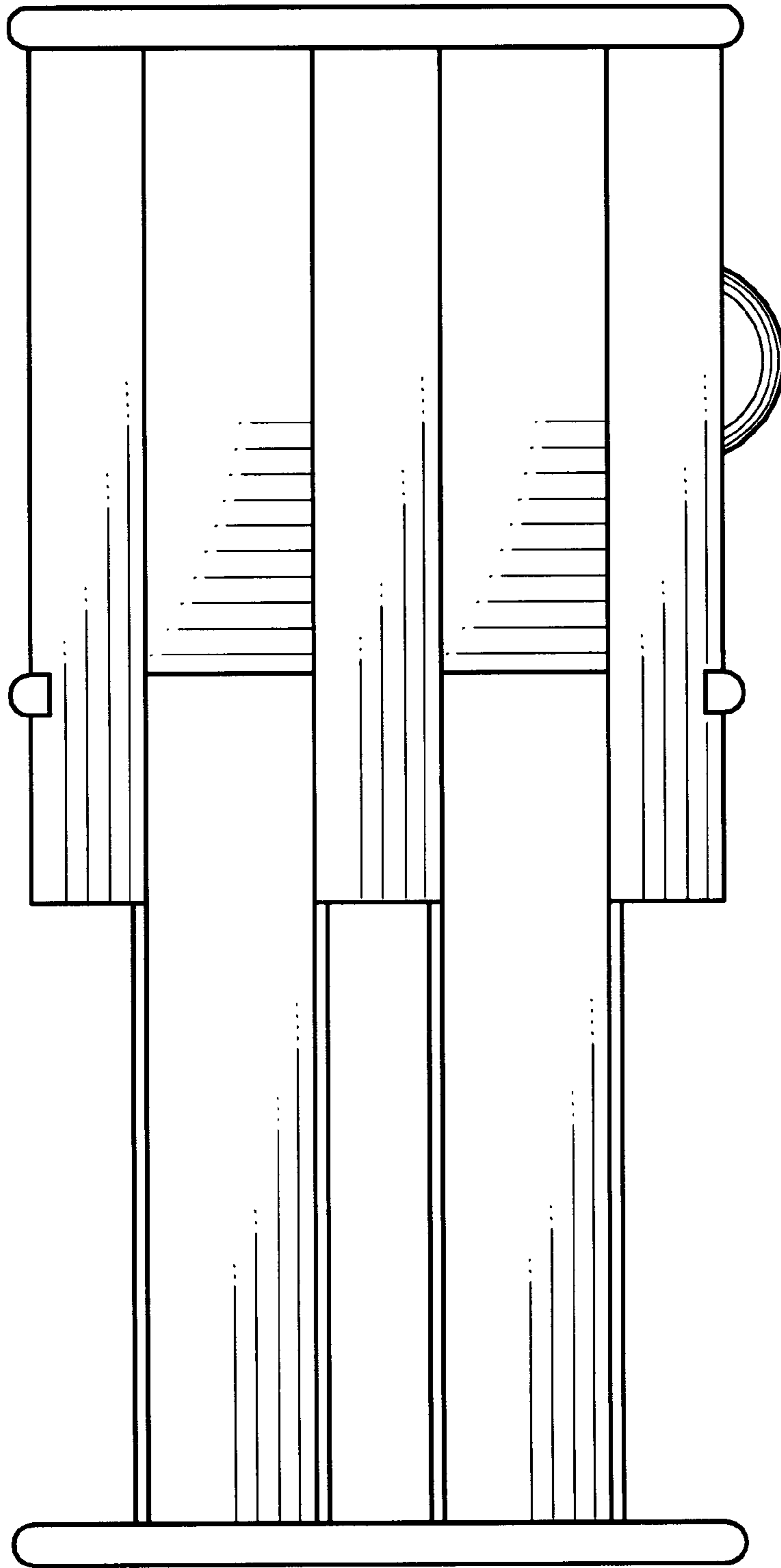
*Fig. 16*



*Fig. 17*



*Fig. 18*



*Fig. 19*