



US00D413207S

United States Patent [19] Caruso

[11] **Patent Number: Des. 413,207**

[45] **Date of Patent: ** Aug. 31, 1999**

[54] **LEG OVER LEG GANGING CHAIR**

4,002,369 1/1977 Jennings D6/374 X

[75] Inventor: **Jerome C. Caruso**, Lake Forest, Ill.

OTHER PUBLICATIONS

Shelby Williams, pp. 2-3, Chair shown, Oct. 1989.

[73] Assignee: **Shelby Williams Industries, Inc.**,
Morristown, Tenn.

Primary Examiner—Gary D. Watson
Attorney, Agent, or Firm—Pitts & Brittan, P.C.

[**] Term: **14 Years**

[57] CLAIM

[21] Appl. No.: **29/090,818**

The ornamental design for a leg over leg ganging chair, as shown and described.

[22] Filed: **Jul. 16, 1998**

[51] **LOC (6) Cl.** **06-01**

DESCRIPTION

[52] **U.S. Cl.** **D6/374; D6/380**

FIG. 1 is a perspective view of a leg over leg ganging chair showing my new design;

[58] **Field of Search** D6/334, 335, 374,
D6/375, 379, 380, 500, 501, 502; 297/239,
445.1, 446.1

FIG. 2 is a front elevation view thereof;

FIG. 3a is a back elevation view thereof;

FIG. 3b is a back elevation view thereof, being an alternative embodiment of the design as shown in FIG. 3a;

[56] References Cited

U.S. PATENT DOCUMENTS

D. 197,403	1/1964	Dodds	D6/380
D. 202,264	9/1965	Albinson	D6/374
D. 214,315	6/1969	Bartholomew	D6/374
D. 236,670	9/1975	Oyeda	D6/375
D. 272,587	2/1984	Pamberg	D6/380
D. 279,438	7/1985	Gerner	D6/380
D. 295,588	5/1988	Heitlinger et al.	D6/380
D. 308,604	6/1990	Verkerke	D6/334
D. 327,587	7/1992	Piretti	D6/380
D. 370,360	6/1996	Fewchuk	D6/374
D. 381,828	8/1997	Kemnitzer	D6/380 X
D. 388,629	1/1998	Piretti	D6/380

FIG. 4 is a left elevation view thereof;

FIG. 5 is a right elevation view thereof;

FIG. 6 is a top plan view thereof;

FIG. 7a is a bottom plan view thereof; and,

FIG. 7b is a bottom plan view thereof, being an alternative embodiment of the design as shown in FIG. 7a.

The sole difference in the second embodiment, as shown in FIGS. 3b and 7b, would be the hand hole shown on the rear of the backrest. The other views of the second embodiment would be like those shown in FIG. 1, 2, 4, 5 and 6.

1 Claim, 9 Drawing Sheets

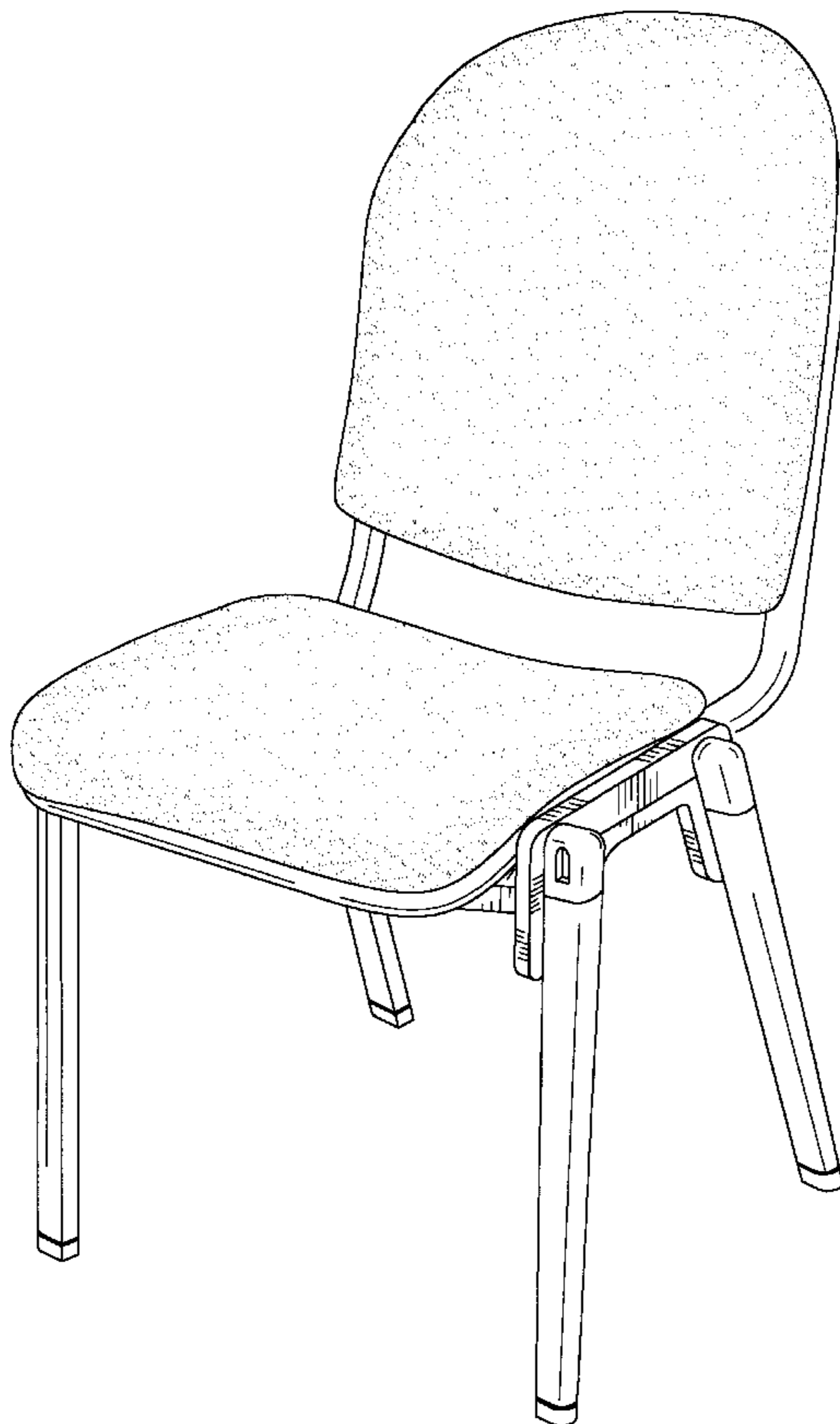




Fig. 1

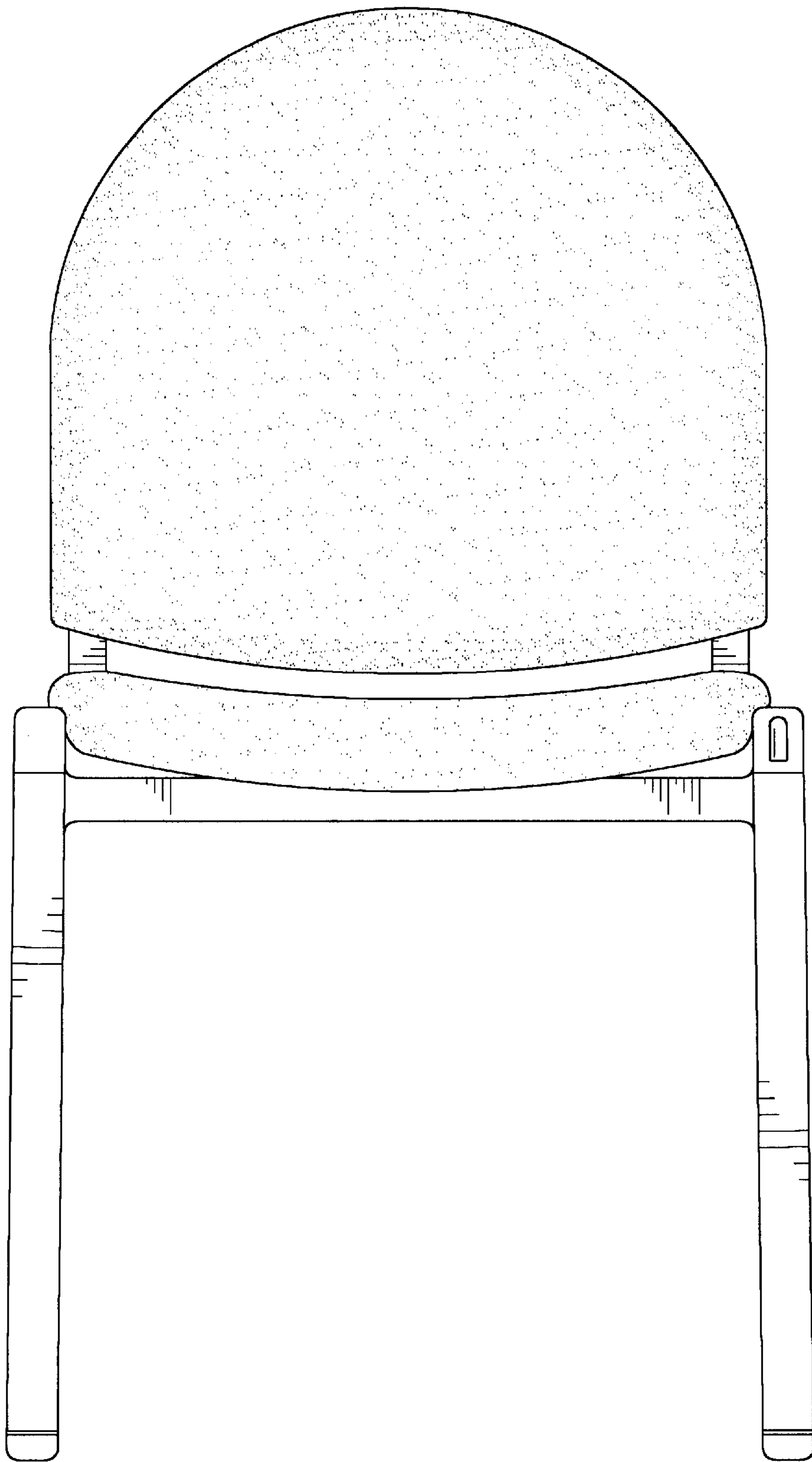


Fig. 2

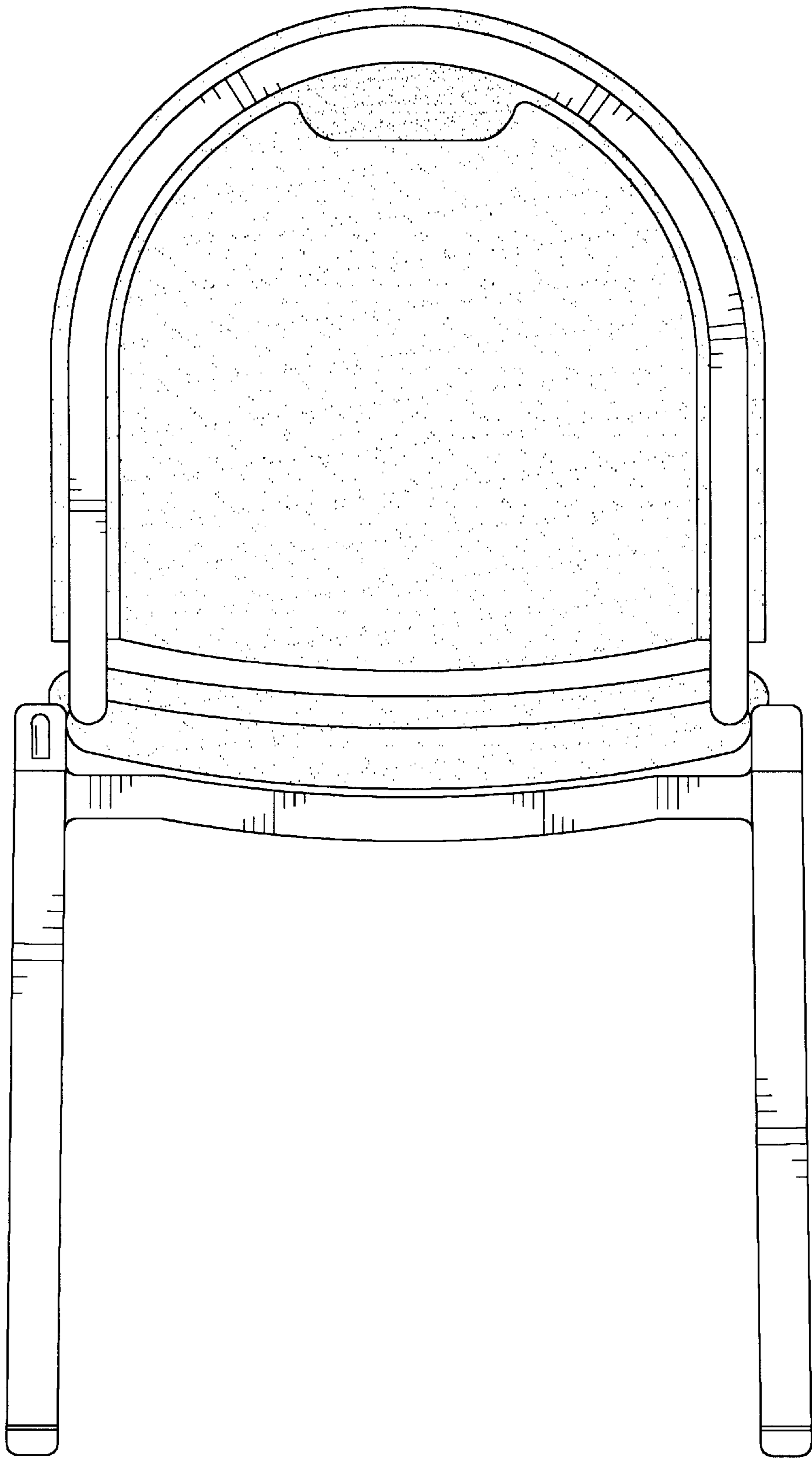


Fig. 3a

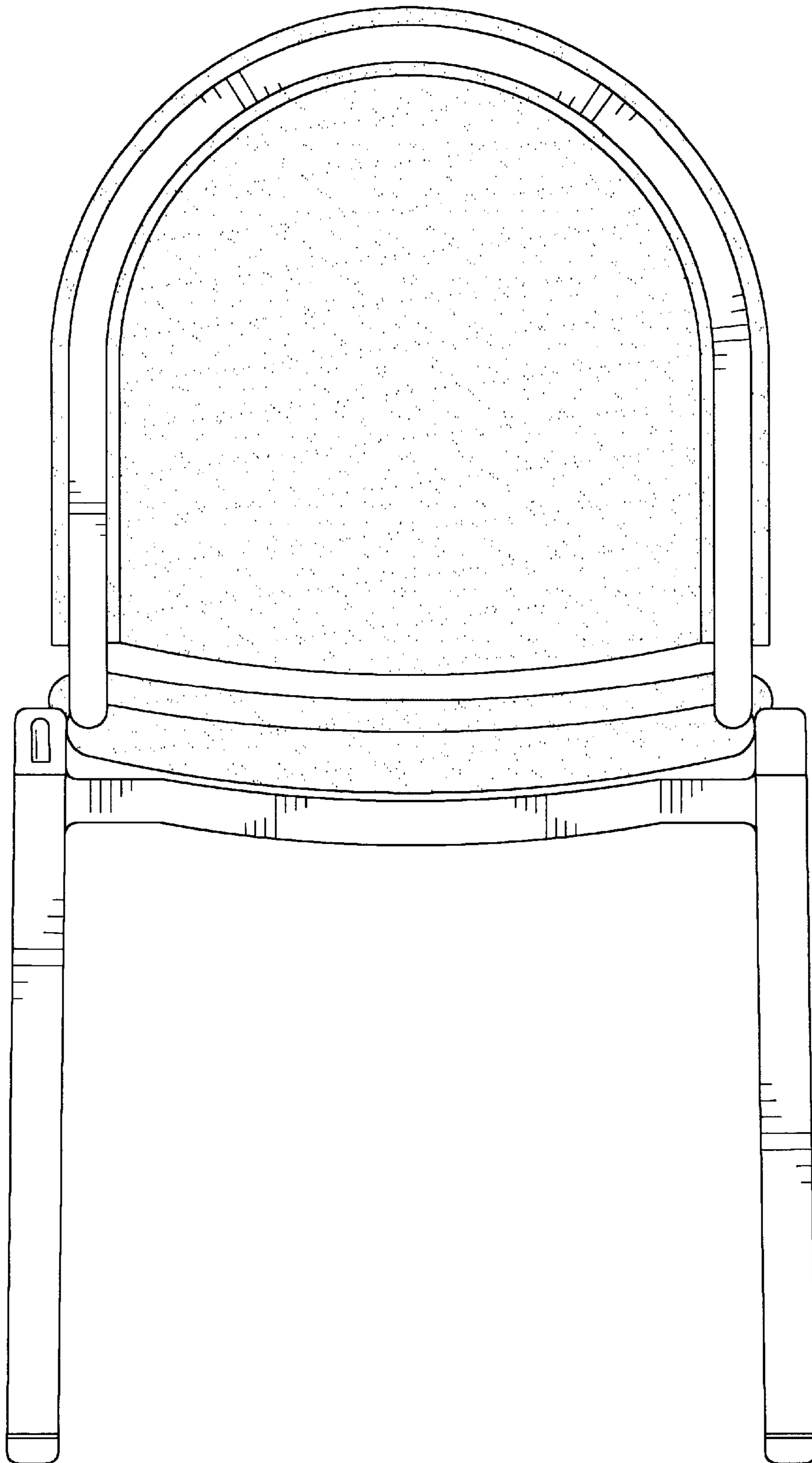


Fig. 3b

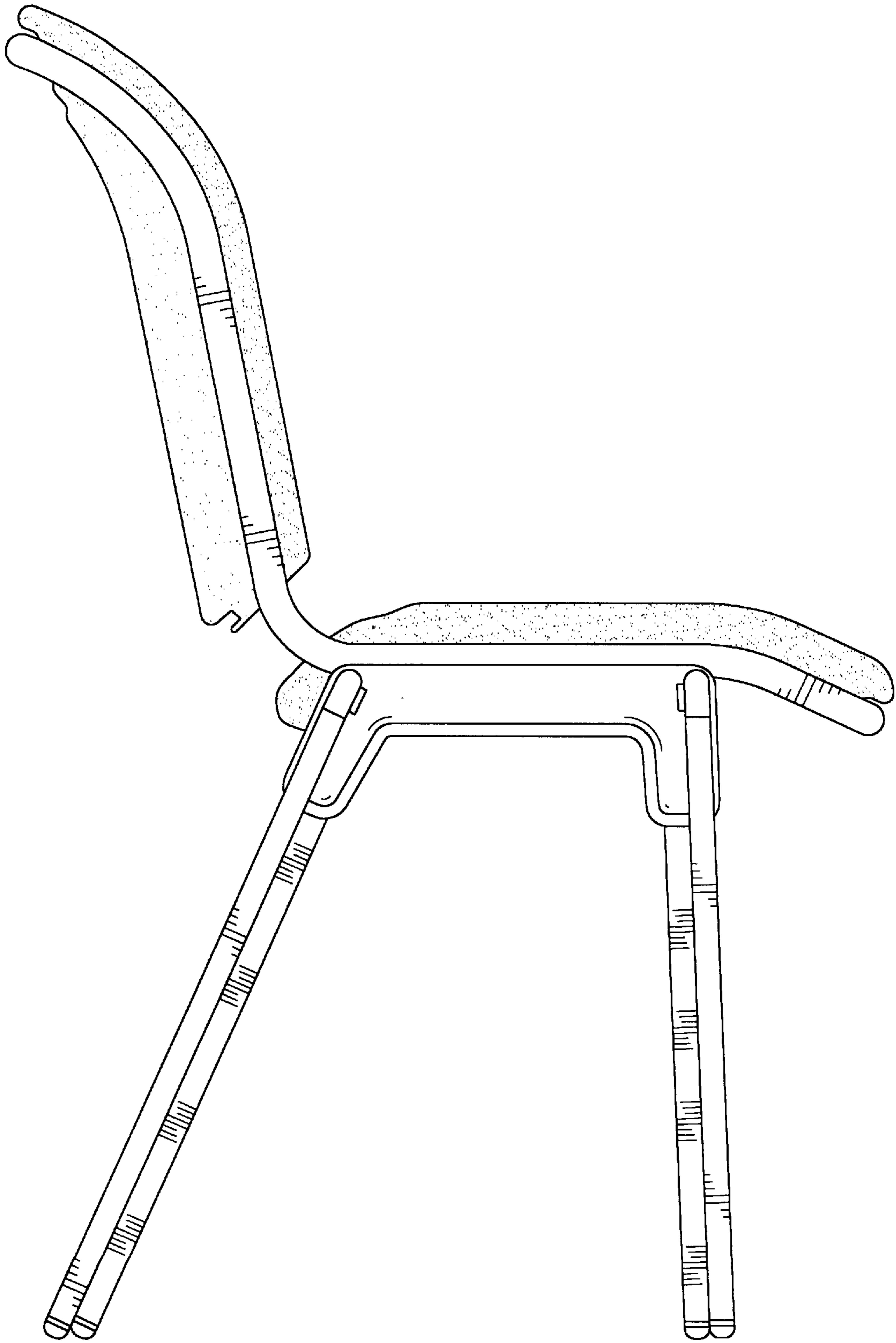


Fig. 4

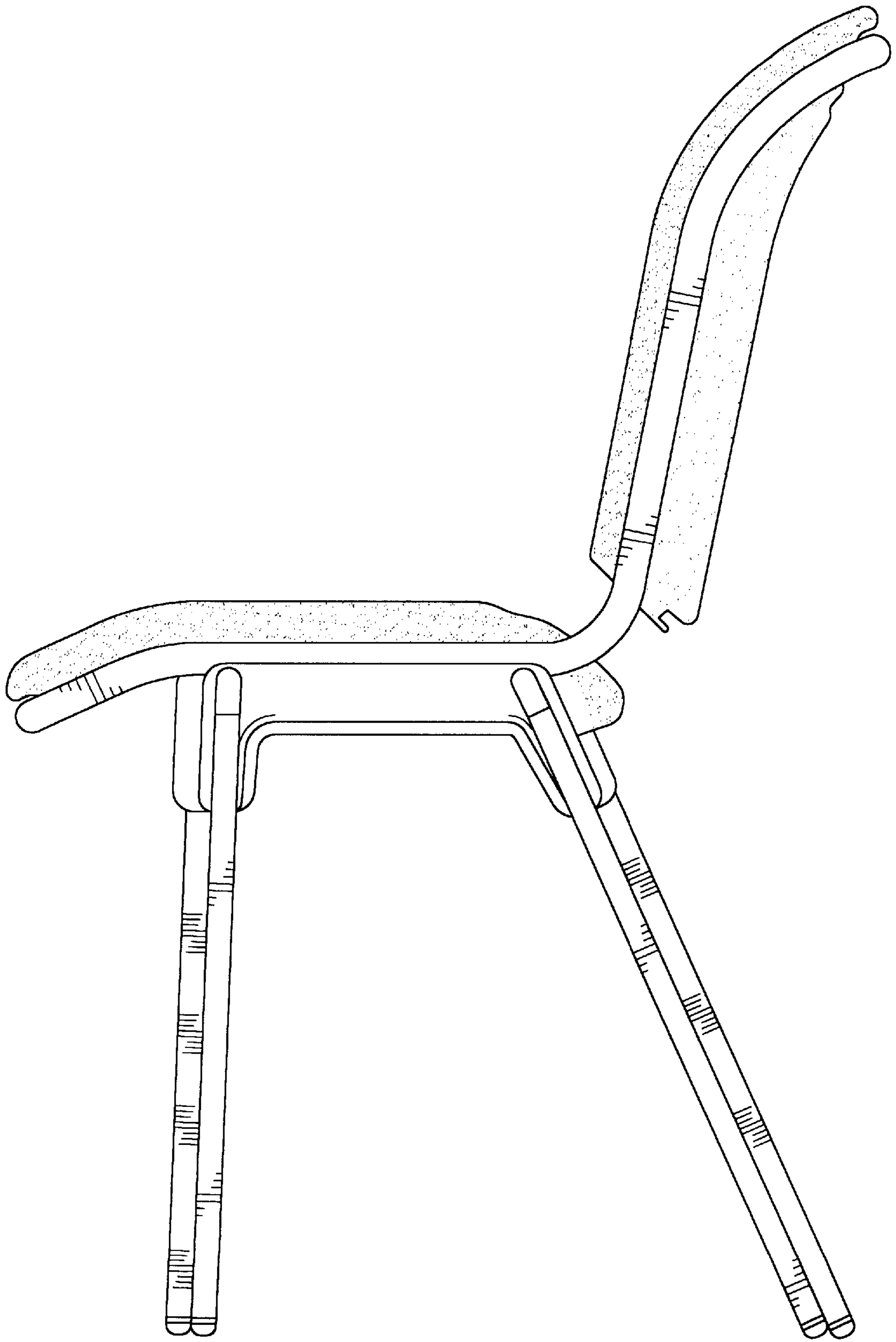


Fig. 5

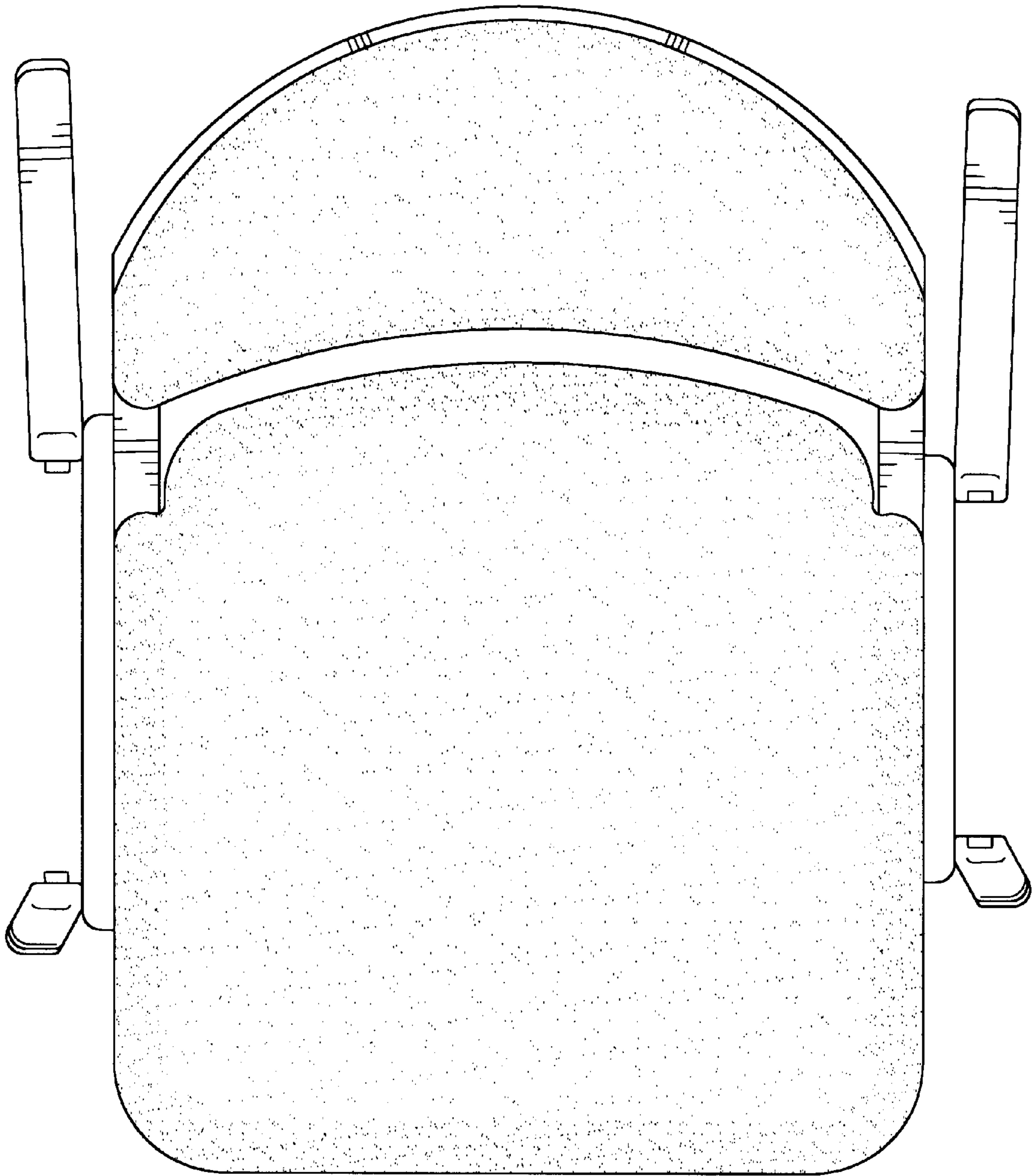


Fig.6

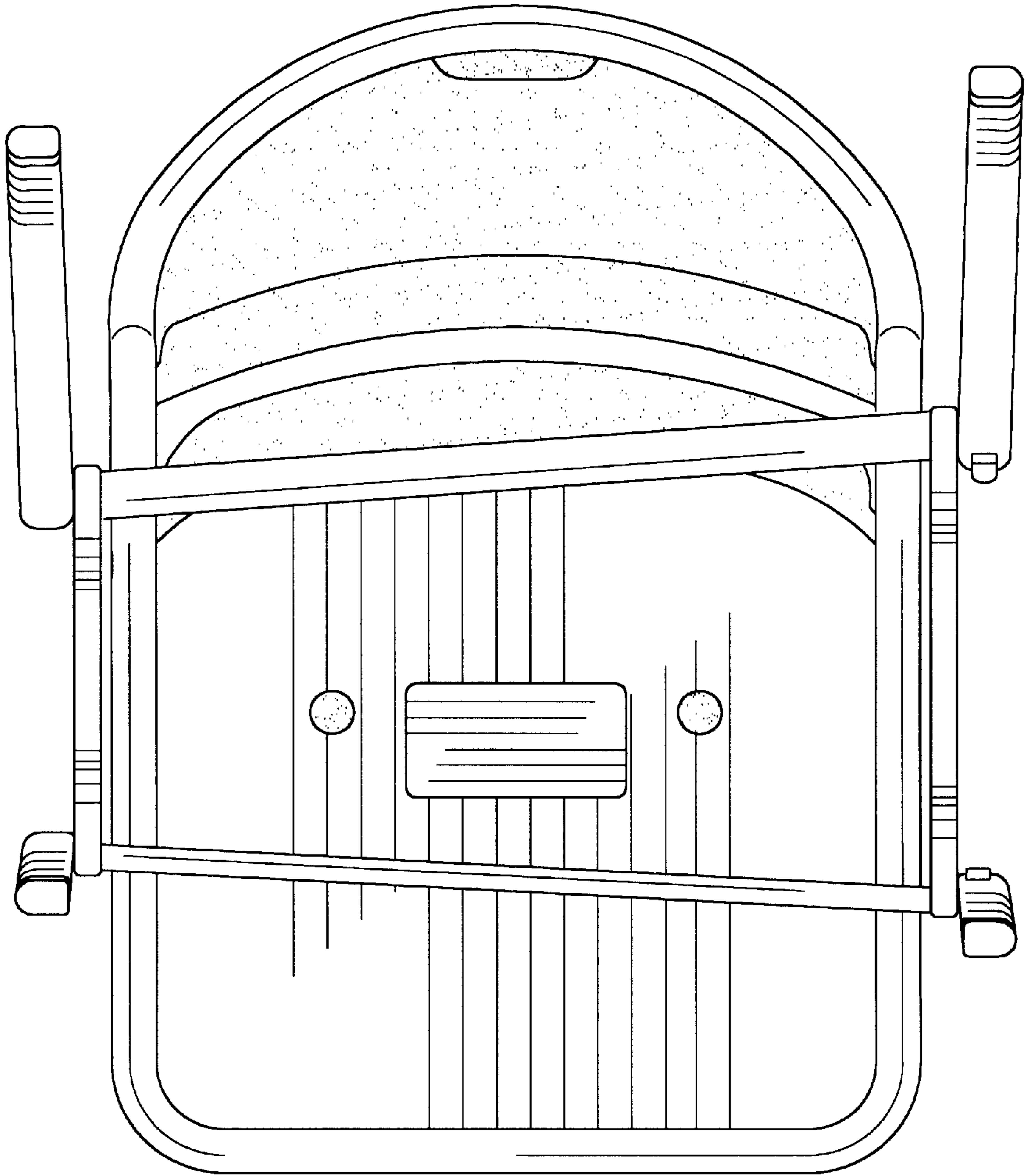


Fig. 7a

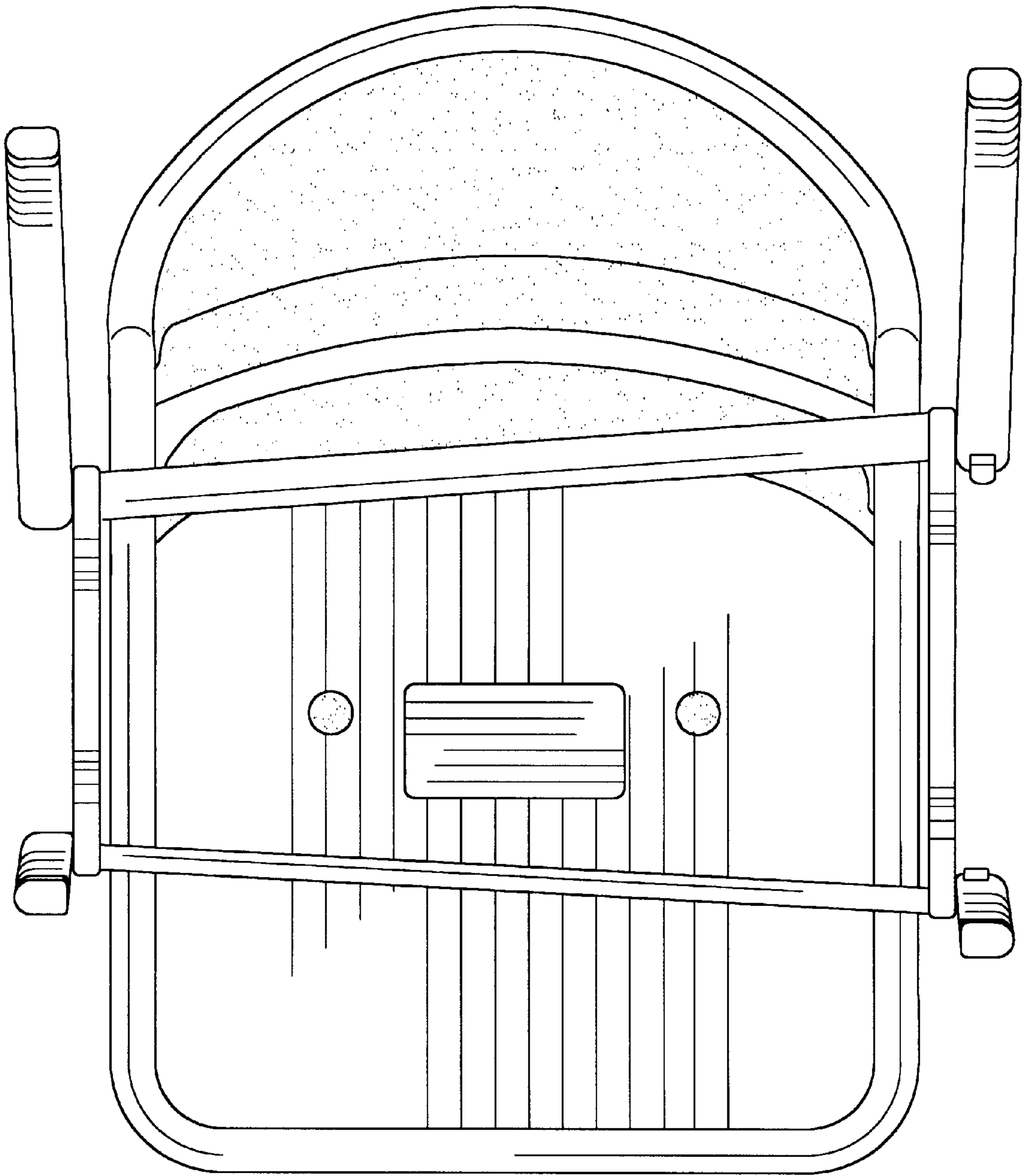


Fig. 7b