



US00D413205S

# United States Patent [19] Johnson

[11] Patent Number: **Des. 413,205**

[45] Date of Patent: **\*\* Aug. 31, 1999**

[54] **DECORATIVE FRAME**

[76] Inventor: **J. Keith Johnson**, 52 E. Broadway,  
Gettysburg, Pa. 17325

[\*\*] Term: **14 Years**

[21] Appl. No.: **29/095,617**

[22] Filed: **Oct. 27, 1998**

[51] **LOC (6) Cl.** ..... **06-07**

[52] **U.S. Cl.** ..... **D6/304; D6/300**

[58] **Field of Search** ..... D6/300-314; D20/29,  
D20/30, 23-25; D11/133; 40/700, 711,  
721, 722, 724, 734, 735, 738, 765, 790,  
798, 800

[56] **References Cited**

**U.S. PATENT DOCUMENTS**

D. 21,665	6/1892	Hummel, Jr. .	
D. 23,451	7/1894	Neal et al. .	
D. 26,276	11/1896	Stein .	
D. 29,285	8/1898	Ridgway .	
D. 37,457	6/1905	Cooper .	
D. 38,510	4/1907	Bilek .	
D. 48,709	3/1916	Conway .	
D. 51,941	4/1918	Tondl .	
D. 52,233	7/1918	Balistreri .	
D. 54,784	3/1920	Smith .....	D6/301
D. 56,205	8/1920	Strong .	
D. 56,206	8/1920	Strong .	
D. 82,842	7/1930	Maggio .	
D. 111,960	11/1938	De Rauf .....	D6/300
D. 135,034	2/1943	Corwin et al. .	
D. 136,839	9/1943	Schmidhofer .	
D. 144,304	4/1946	Fisher .....	D29/20
D. 144,437	4/1946	Ylitalo .....	D29/20
D. 149,944	6/1948	Huffman .....	D29/20
D. 199,492	11/1964	Kindlund et al. ....	D29/20
D. 362,122	9/1995	Kong .....	D6/300

**OTHER PUBLICATIONS**

The Mirror Book, by H. Schiffer, c1983, p. 149, #369 mirror at bottom left.

The Mirror Book, by H. Schiffer, c1983, p. 164, #417 mirror at top left.

The Mirror Book, by H. Schiffer, c1983, p. 152, #378 mirror at top right.

Furniture Treasury, vols. 1 and 11 in One, Unabridged, by Wallace Nutting, (The Macmillan Co., New York, New York, Tenth Printing 1972), picture Nos. 2843-2876.

American Furniture, Queen Anne and Chippendale Periods in the Henry Francis duPont Winterthur Museum, by Joseph Downs (The Viking Press, New York 1967), item Nos. 244 & 245.

American Furniture, A Complete Guide to Seventeenth, Eighteenth, and Early Nineteenth Century Style, by Helen Comstock (The Macmillan Co. of Canada, Ltd. 1962), item Nos. 340-344.

English Furniture From Gothic to Sheraton, by Herbert Cescinsky (published by Bonanza Books, New York) pp. 198 and 360.

American Antique Furniture by Edgar G. Miller, Jr., vol. Two (published by Dover Publications, Inc.) New York, New York), p. 630.

The Mirror Book, English American & European, by Herbert F. Schiffer (published by Schiffer Publishing Limited, Exton, Penn. 19341), 11 pages total).

*Primary Examiner*—Janice E. Seeger

*Attorney, Agent, or Firm*—Antonelli, Terry, Stout & Kraus, LLP

[57] **CLAIM**

The ornamental design for a decorative frame, as shown and described.

**DESCRIPTION**

Reference is made to the following six design patent applications which are filed on even date herewith which also claim Decorative Frames: U.S. Serial No. 29/095,616 (Attorney Ref: 321.850D00); U.S. Serial No. 29/095,615 (Attorney Ref: 321.851D00); U.S. Serial No. 29/095,618 (Attorney Ref: 321.852D00); U.S. Serial No. 29/095,653 (Attorney Ref: 321.854D00); U.S. Serial No. 29/095,654 (Attorney Ref: 321.855D00); and U.S. Serial No. 29/095,655 (Attorney Ref: 321.856D00).

FIG. 1 is a front view of the invention;

FIG. 2 is a rear view of the invention;

FIG. 3 is a top view of the invention;

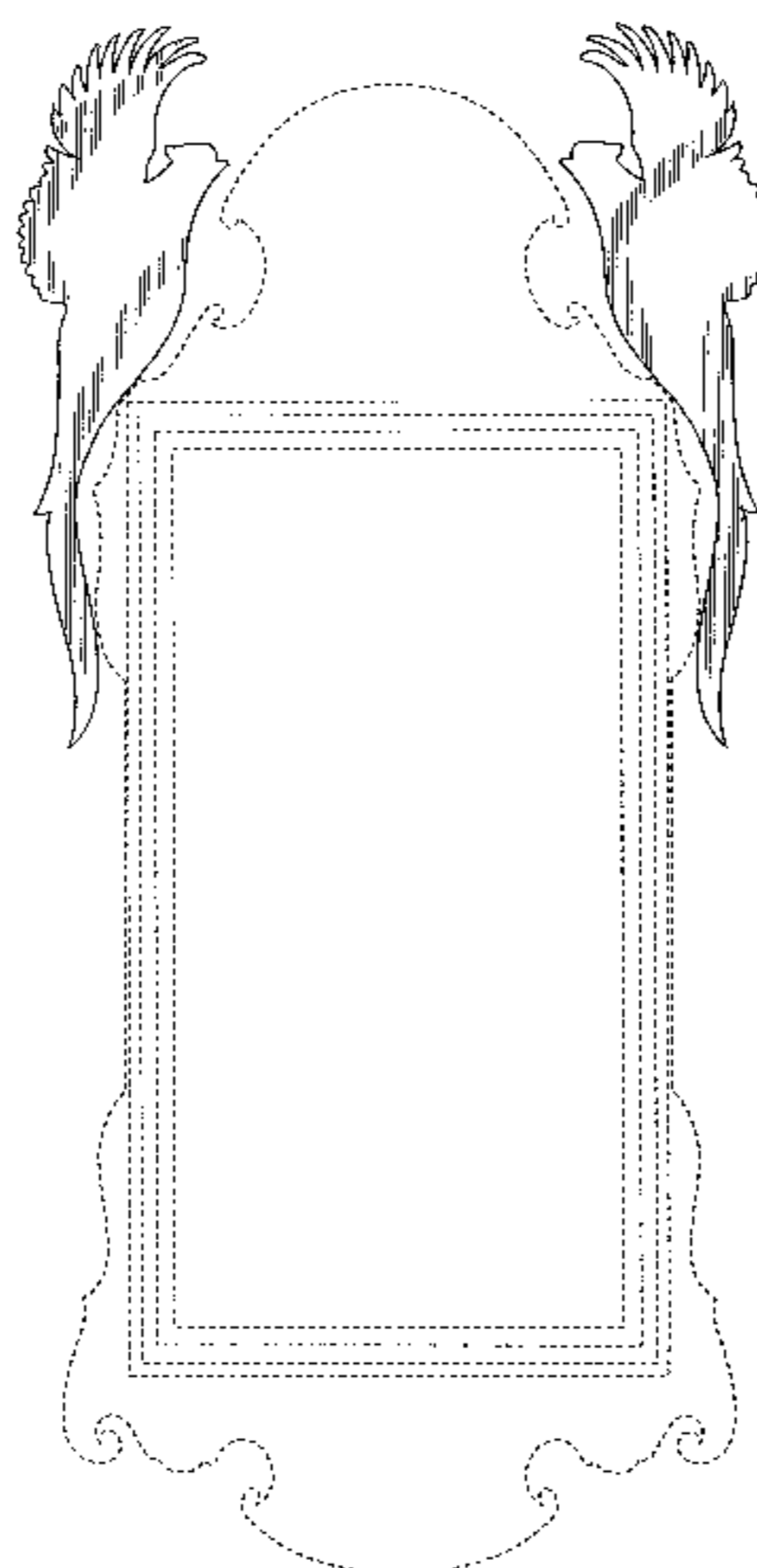
FIG. 4 is a bottom view of the invention;

FIG. 5 is a left side view of the invention; and,

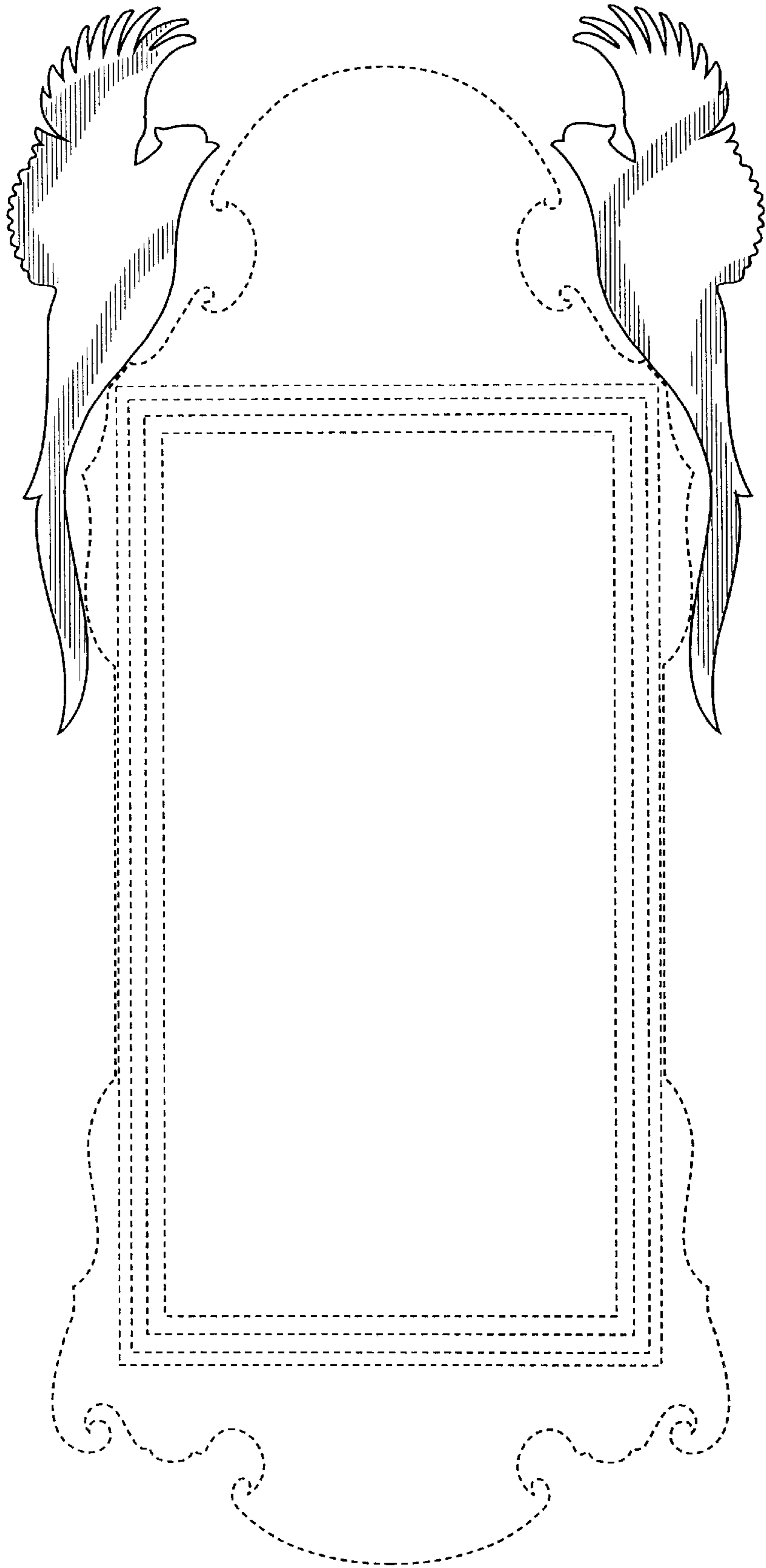
FIG. 6 is a right side view of the invention.

Unclaimed subject matter is shown on dotted line format.

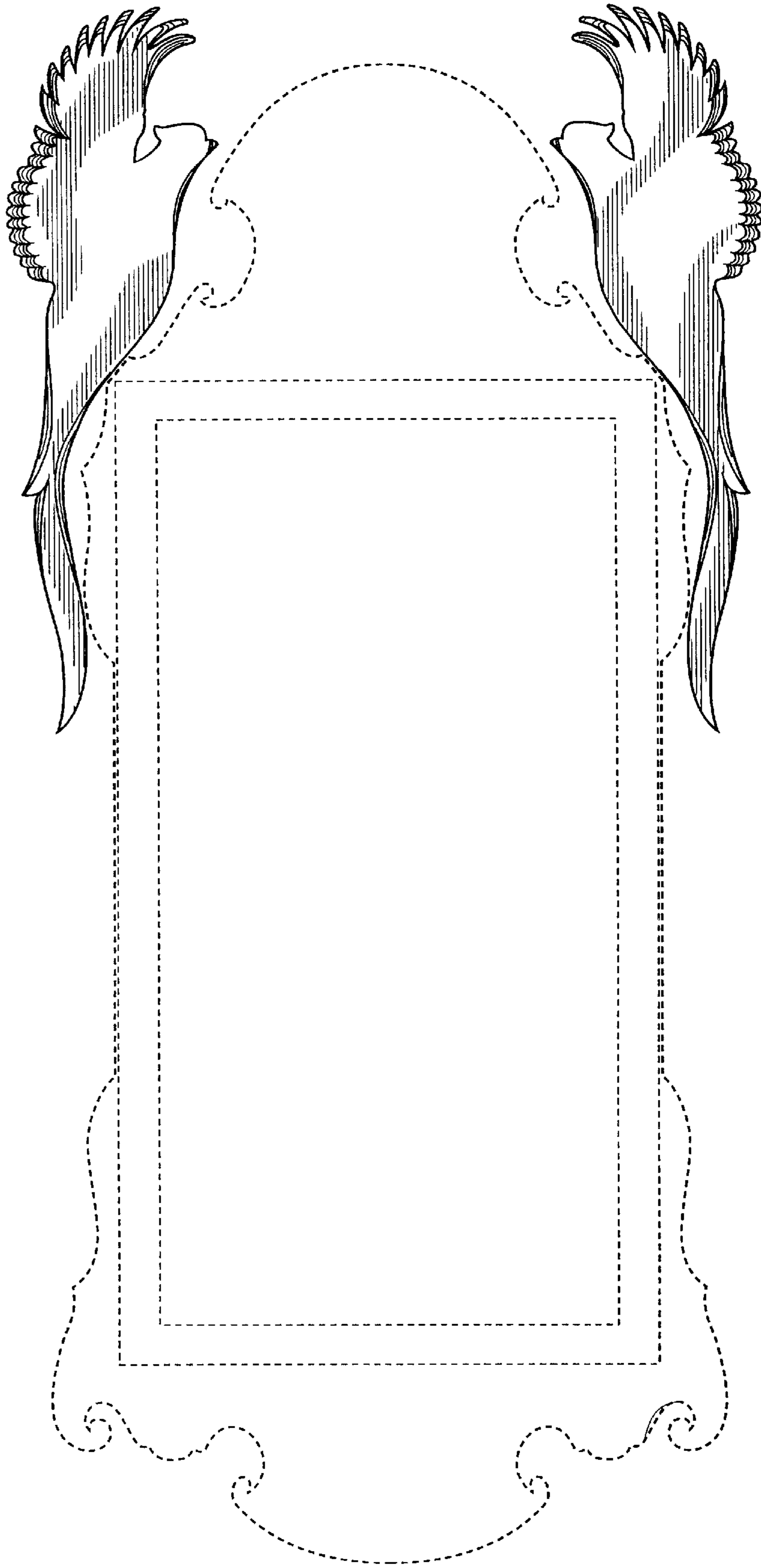
**1 Claim, 4 Drawing Sheets**



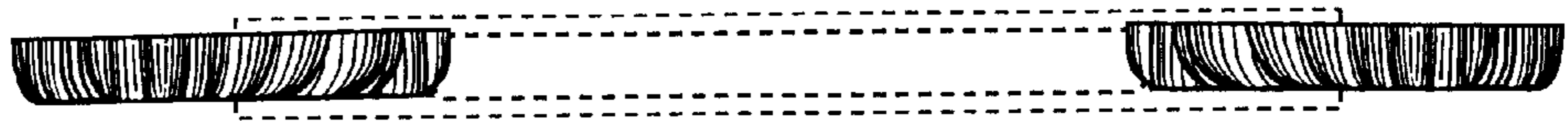
**FIG. 1**



**FIG. 2**



**FIG. 3**



**FIG. 4**



**FIG. 5**



**FIG. 6**

