



US00D413203S

United States Patent [19]

[11] Patent Number: Des. 413,203

Zurwelle et al.

[45] Date of Patent: ** Aug. 31, 1999

[54] KIT BOX

[75] Inventors: Donald W. Zurwelle, Lutherville, Md.;
Meyric K. Rogers, Lancaster, Pa.;
Bruce M. Waters, Lancaster, Pa.;
Bradford Hollinger, Lancaster, Pa.;
Max Kessler, Ephrata, Pa.

[73] Assignee: Black & Decker Inc., Newark, Del.

[**] Term: 14 Years

[21] Appl. No.: 29/098,043

[22] Filed: Oct. 1, 1998

Related U.S. Application Data

[62] Division of application No. 29/065,755, Nov. 25, 1996, which is a continuation of application No. 29/055,143, May 30, 1996, abandoned.

[51] LOC (6) Cl. 03-01

[52] U.S. Cl. D3/276; D3/281; D3/291

[58] Field of Search D3/273, 276, 281,
D3/282, 905, 291; 206/349, 372, 373; 190/110,
111, 112, 113, 114

[56] References Cited

U.S. PATENT DOCUMENTS

- D. 62,042 3/1923 Yarder D3/905
- D. 194,339 1/1963 Harty et al. D3/282
- D. 205,579 8/1966 Schurman D3/281
- D. 220,151 3/1971 Waters .
- D. 220,233 3/1971 Schurman .
- D. 221,317 7/1971 Muller D3/905
- D. 222,012 9/1971 Harris D3/282
- D. 236,291 8/1975 Schurman .
- D. 257,191 10/1980 Wilcox D3/282
- D. 260,454 9/1981 Pepicelli et al. D3/282
- D. 260,456 9/1981 Davies et al. D3/282
- D. 286,231 10/1986 Werk D3/282
- D. 294,776 3/1988 Gander et al. D3/282
- D. 300,036 2/1989 Mariol D3/281
- D. 306,936 4/1990 McMillan et al. D3/276

- D. 309,143 7/1990 Yang D3/281
- D. 314,667 2/1991 Hussain D3/282
- D. 316,332 4/1991 Bridges et al. D3/281
- D. 321,433 11/1991 Dickinson D3/282
- D. 321,985 12/1991 Ward D3/282
- D. 322,889 1/1992 Ward D3/281
- D. 328,189 7/1992 Hillinger D3/282
- D. 331,836 12/1992 Newby, Sr. D3/905
- D. 346,825 5/1994 Ros D3/905
- D. 347,114 5/1994 Tengvall D3/281
- D. 347,731 6/1994 Hayakawa D3/282
- D. 353,048 12/1994 VanSkiver et al. D3/276
- D. 353,265 12/1994 Newby, Sr. D3/269
- D. 358,709 5/1995 Chang D3/282
- D. 364,957 12/1995 Turbowitz D3/276
- D. 374,771 10/1996 Guegan et al. D3/276
- D. 377,714 2/1997 Fenton et al. D3/260
- D. 379,715 6/1997 Yemini D3/282
- D. 382,115 8/1997 Chang D3/282
- 3,730,576 5/1973 Schurman .
- 3,933,381 1/1976 Schurman .
- 4,340,139 7/1982 Wilcox et al. 206/349
- 4,773,536 9/1988 Rau 206/379
- 4,927,021 5/1990 Taylor 206/373
- 5,114,007 5/1992 Chen 206/373
- 5,533,843 7/1996 Chung 206/349

Primary Examiner—Philip S. Hyder
Attorney, Agent, or Firm—Dennis A. Dearing; John D. Del Pont; Bruce S. Shapiro

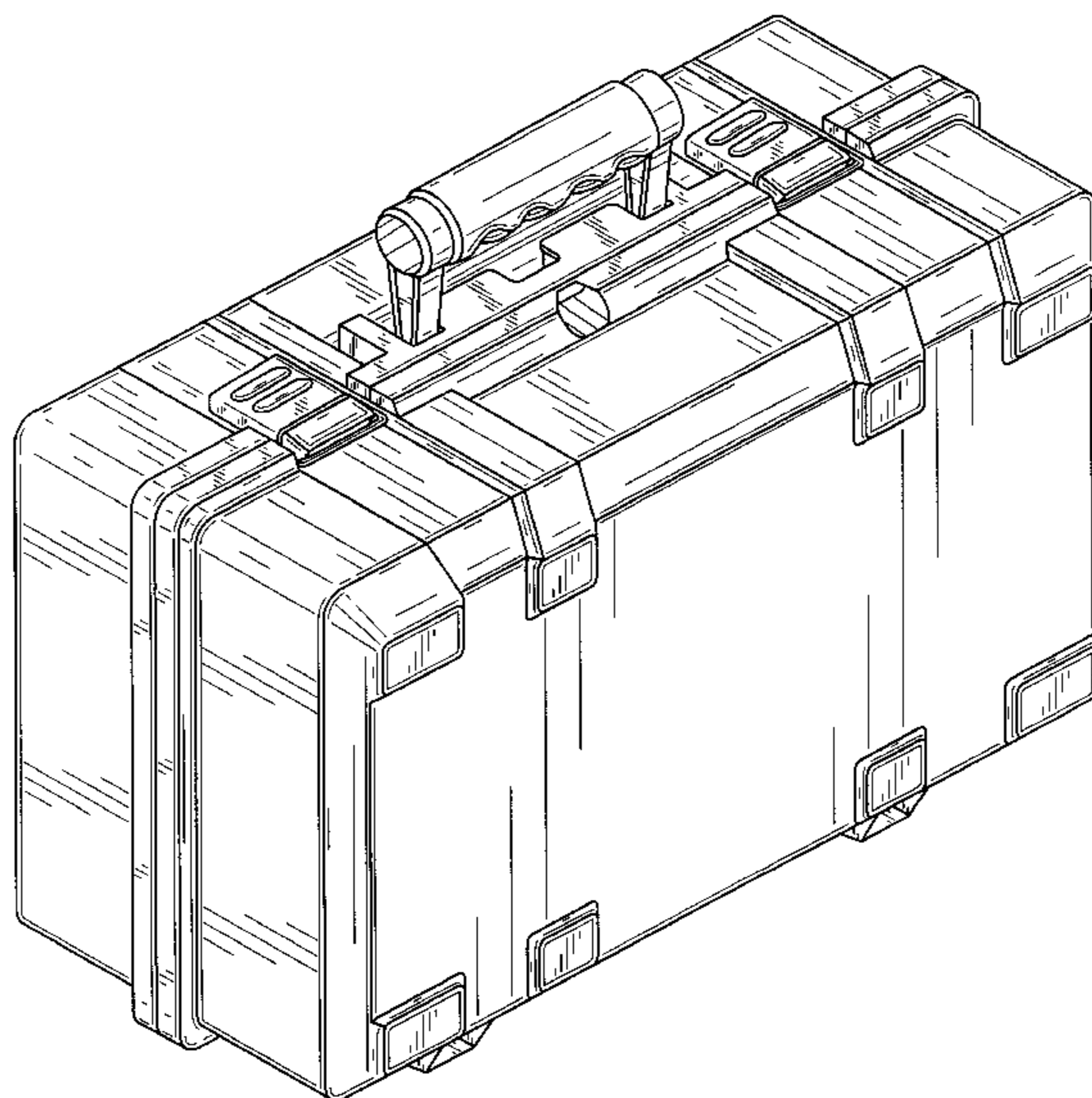
[57] CLAIM

The ornamental design for a kit box, as shown and described.

DESCRIPTION

FIG. 1 is a front perspective view of a kit box showing my new design;
FIG. 2 is a front elevational view thereof;
FIG. 3 is a rear elevational view thereof;
FIG. 4 is a left side elevational view thereof;
FIG. 5 is a right side elevational view thereof;
FIG. 6 is a top plan view thereof; and,
FIG. 7 is a bottom plan view thereof.

1 Claim, 7 Drawing Sheets



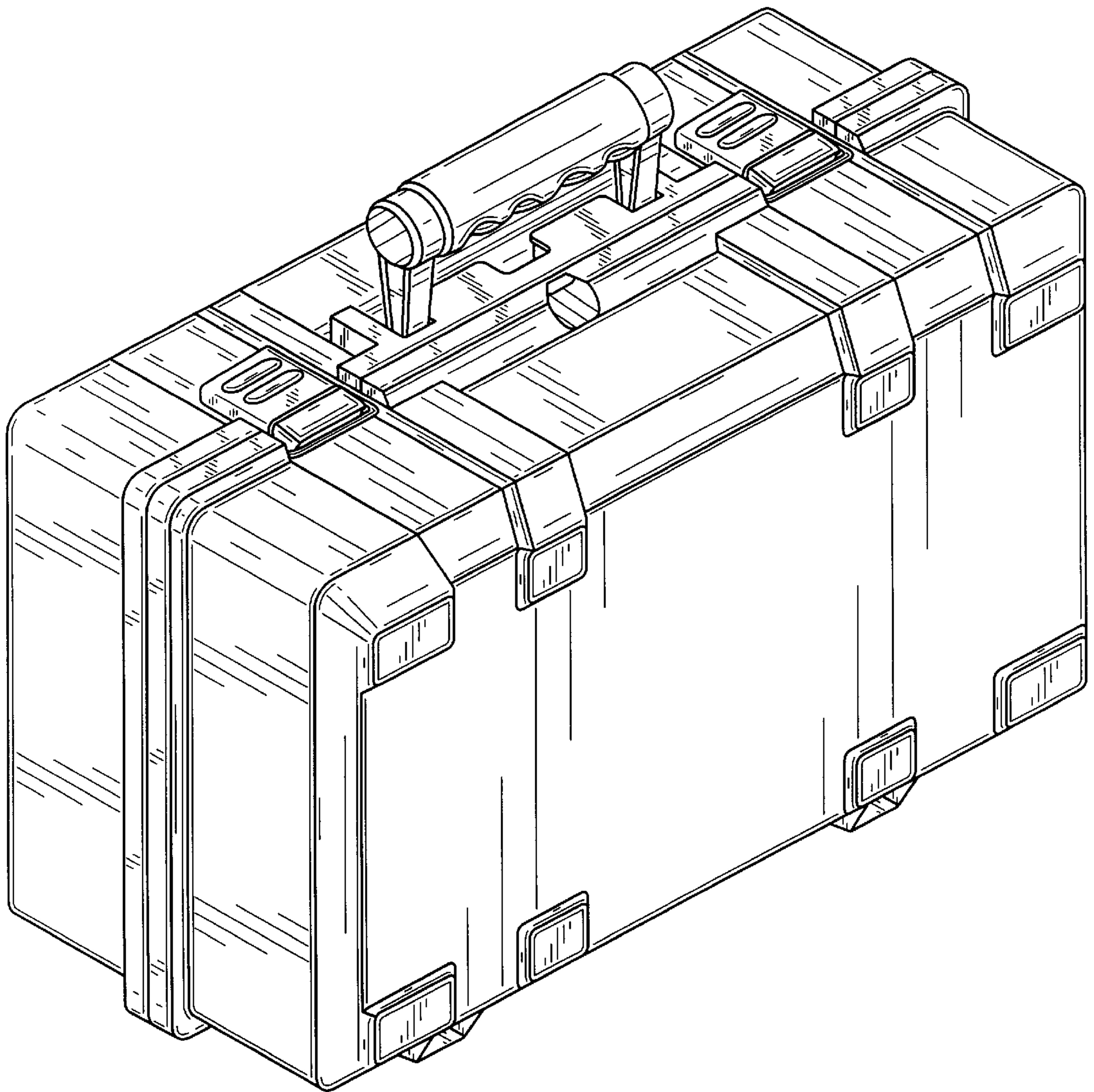


FIG. 1

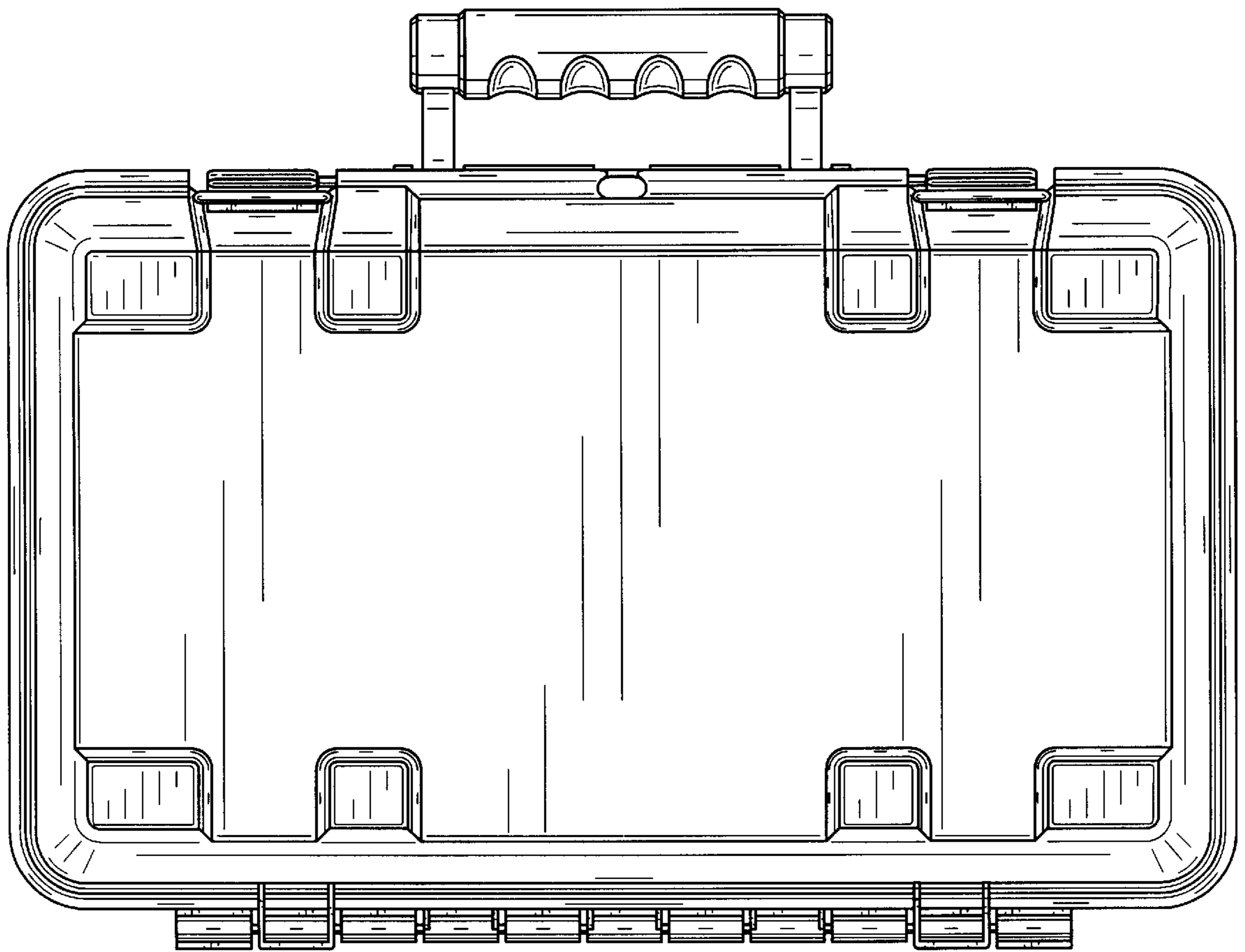


FIG. 2

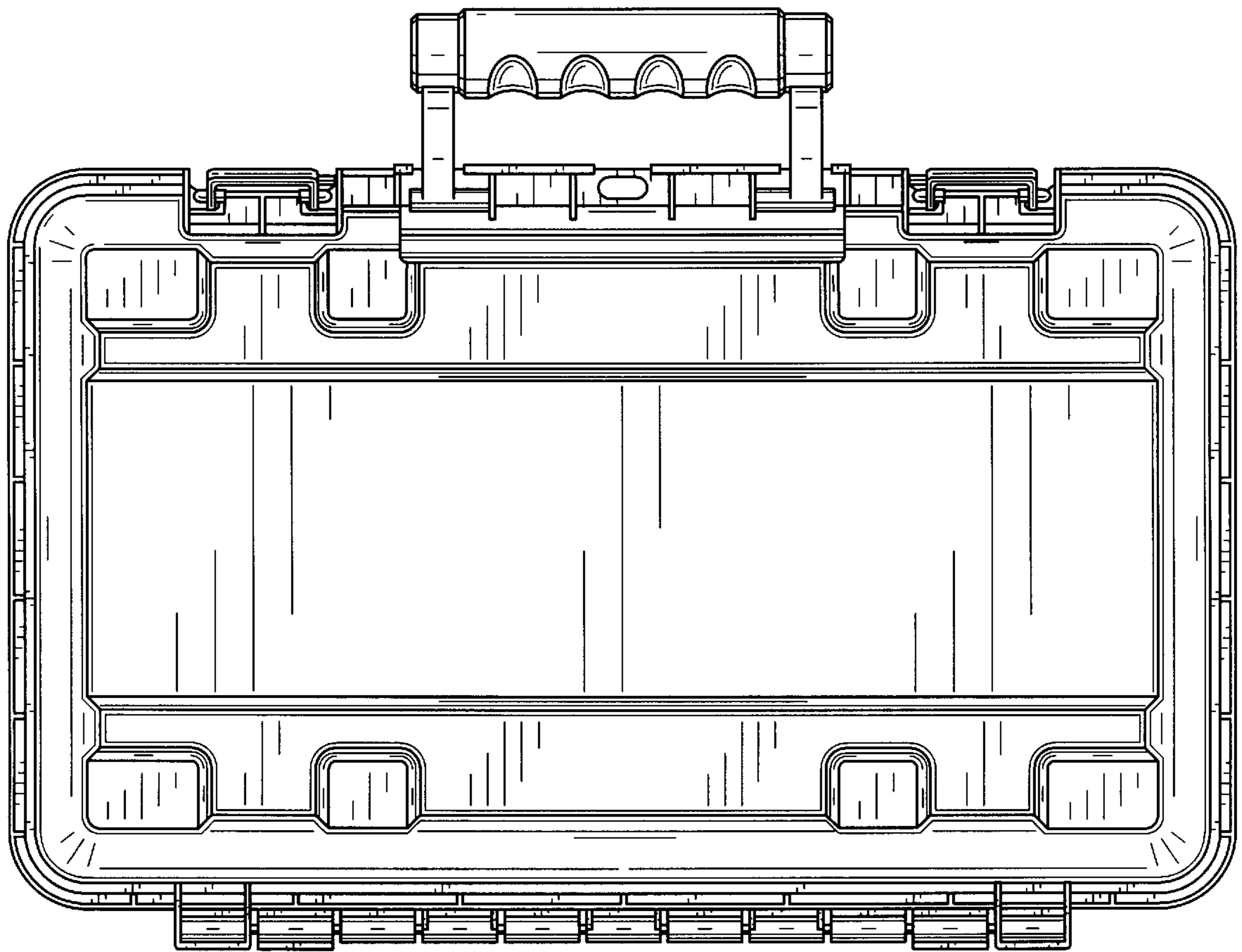


FIG. 3

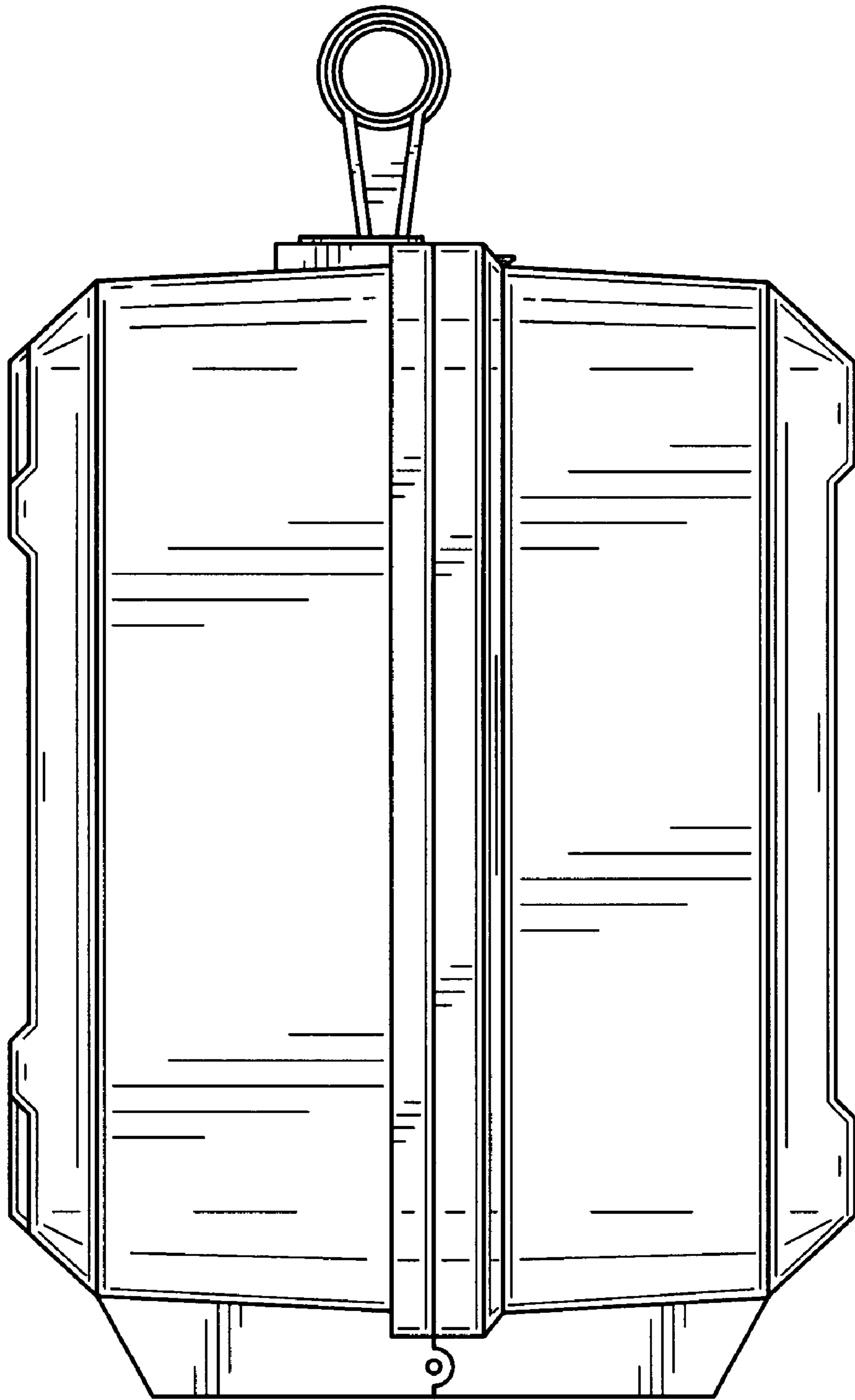


FIG. 4

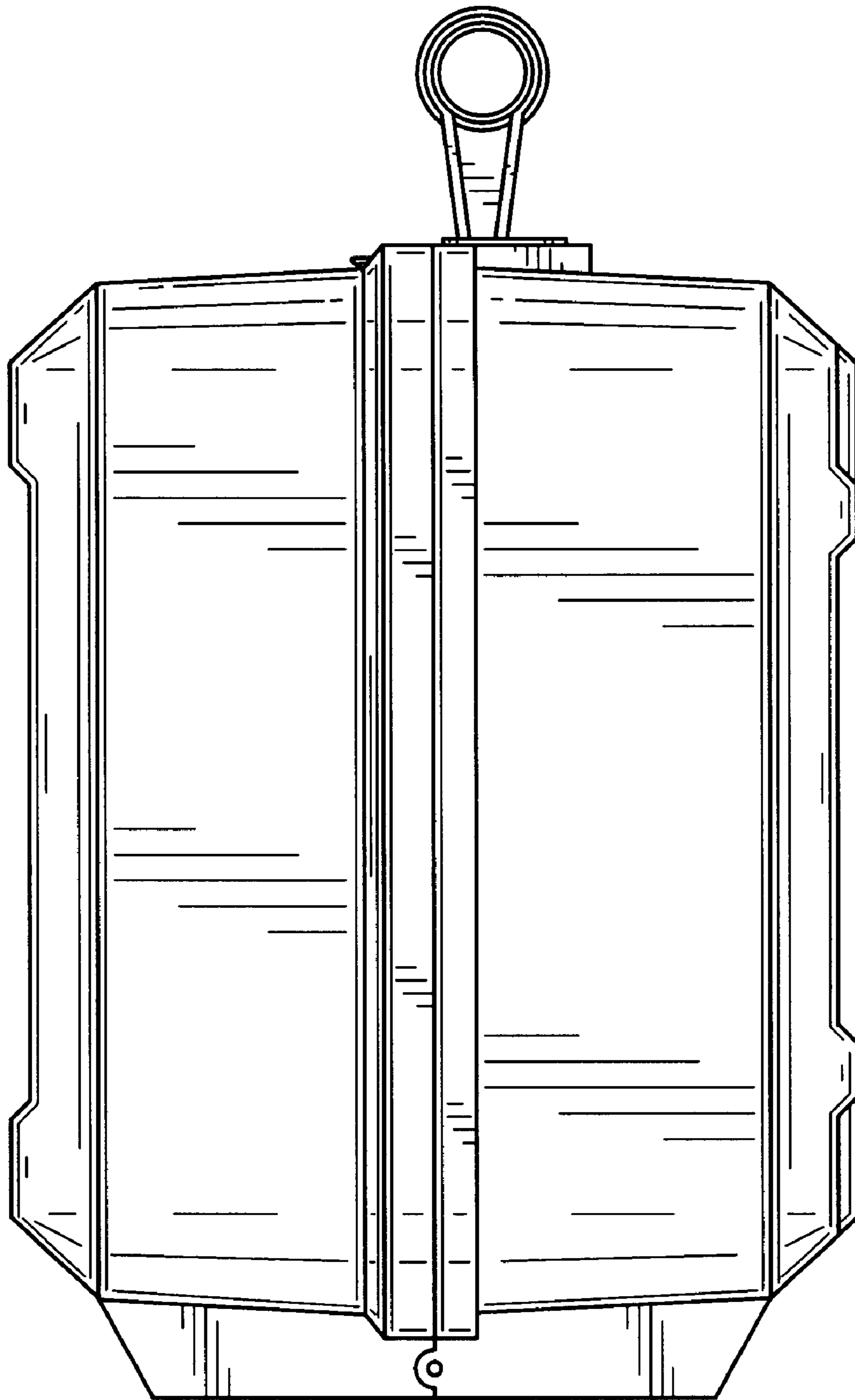


FIG. 5

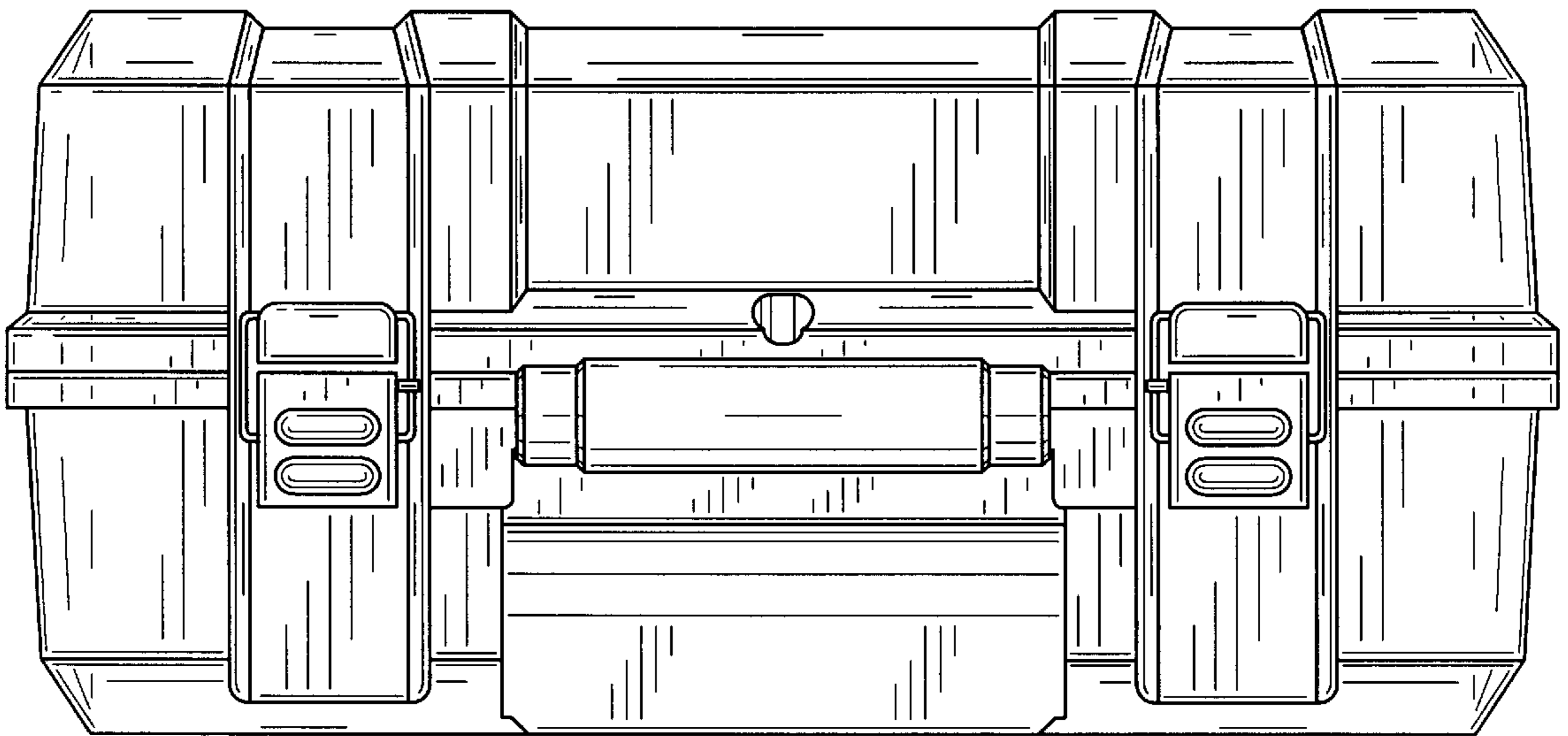


FIG. 6

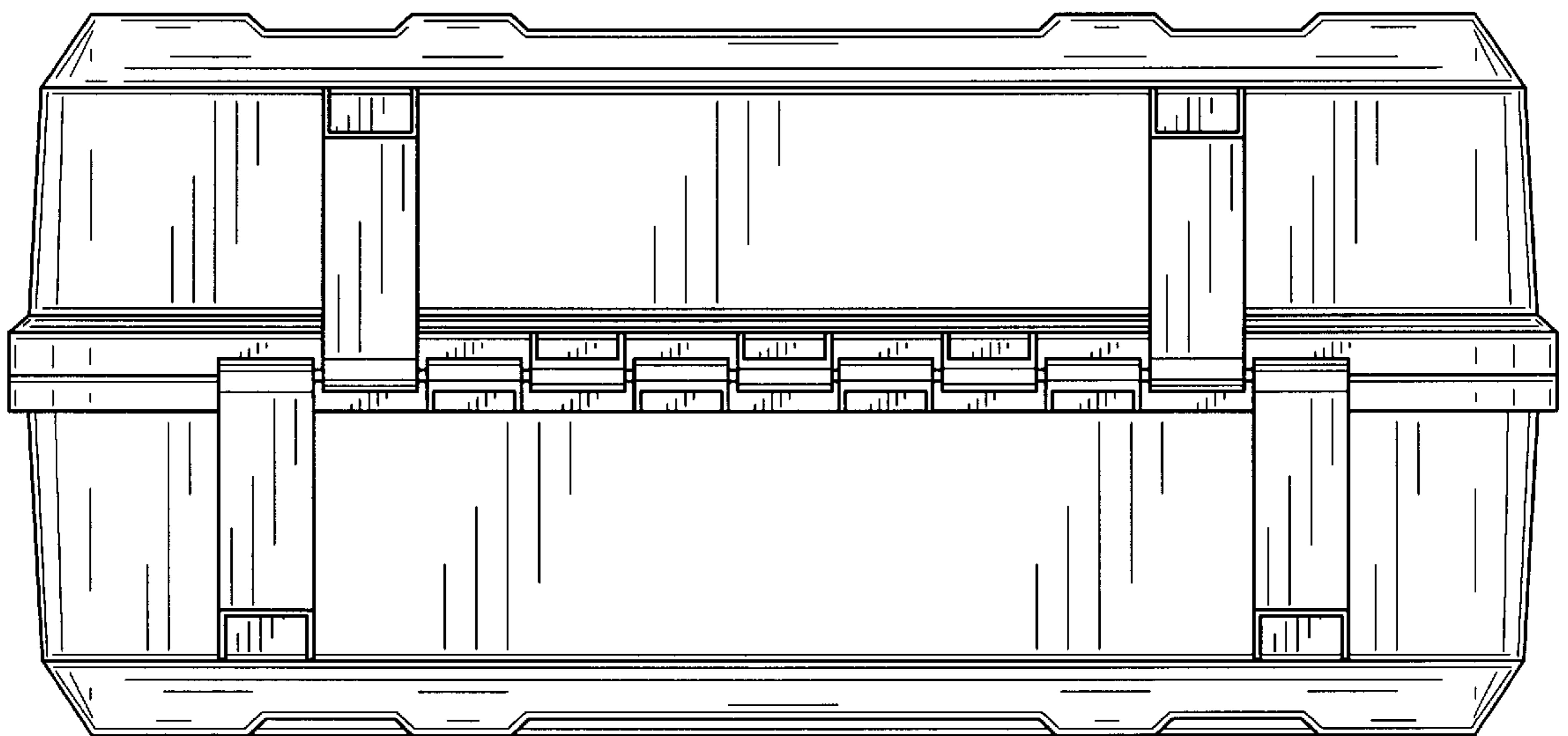


FIG. 7